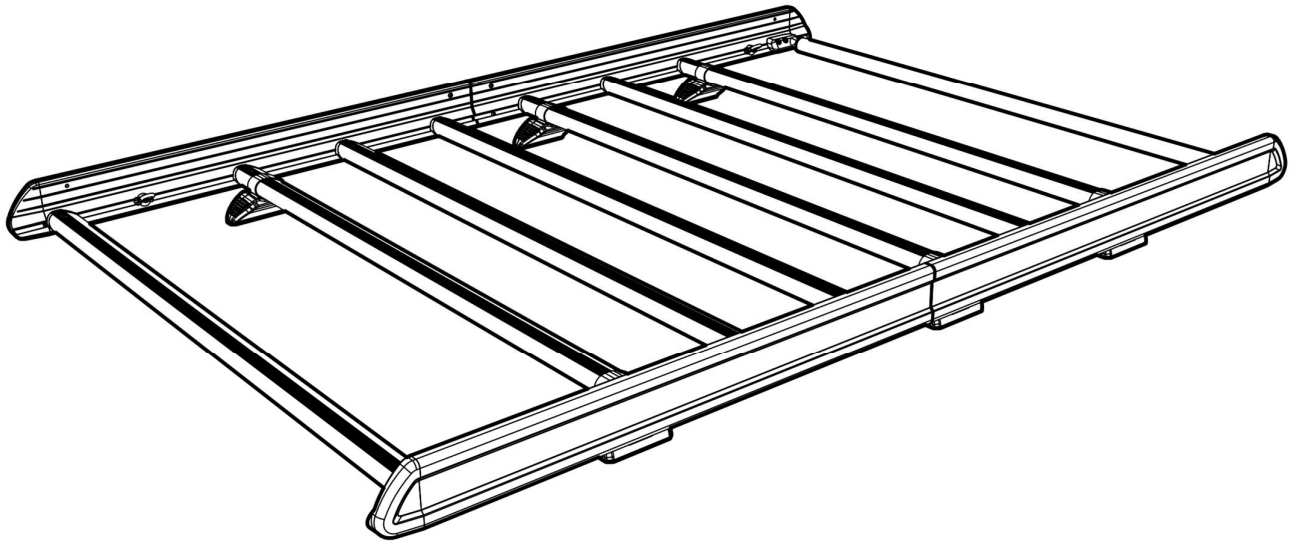


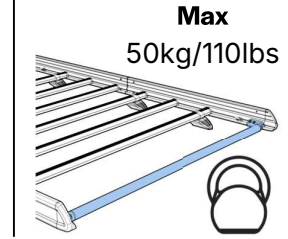
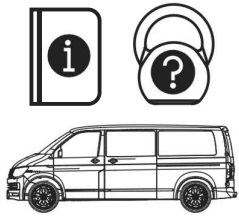
Issue:	Drawn By:	Checked By:	CRF No.:	Date:	Description:
a	SJ	KB	3609	21/10/25	First Issue
b					
c					
d					

GC3KE

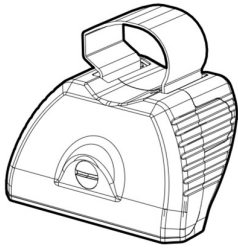
KammEdge.

Instructions

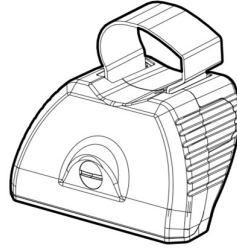




KammEdge.



SA397U x 3



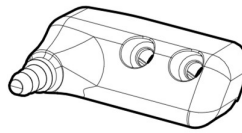
SA398U x 3



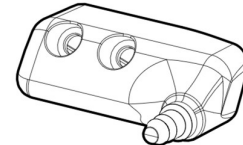
SA428/SA466 x 5



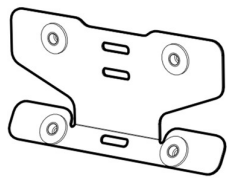
SA436 x 1



PS519 x 1



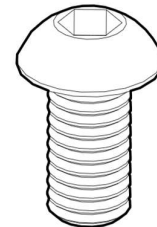
PS520 x 1



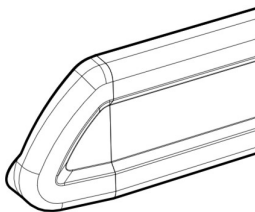
SA610 x 2



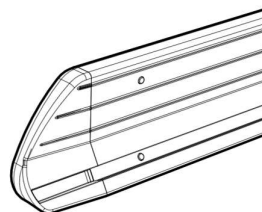
PS635 x 2



**FS323
(M6 x 16) x 8**



LSF (L) x 2

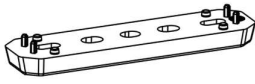


LSF (R) x 2

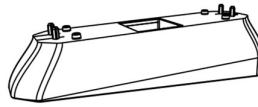


C04 x 6
optional upgrade

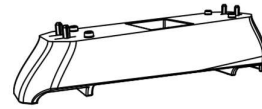
Fitting Kit



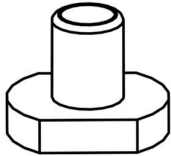
PS178 x 2



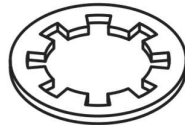
PS254L x 1



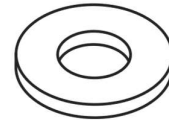
PS254R x 1



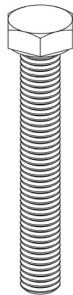
FN085 x 14



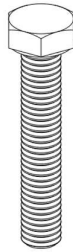
FW009 (M8) x 6



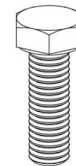
FW002 (M8) x 6



FS105
(M8 x 55) x 2



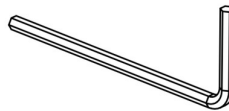
FS061
(M8 x 35) x 2



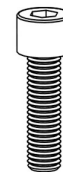
FS062
(M8 x 25) x 2



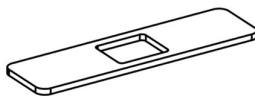
FT01 x 1



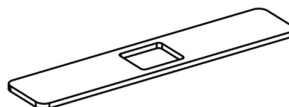
FT05 x 1



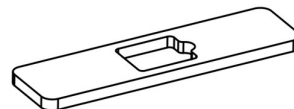
FS059
(M8 x 25) x 14



PS047 x 2



PS412 x 2



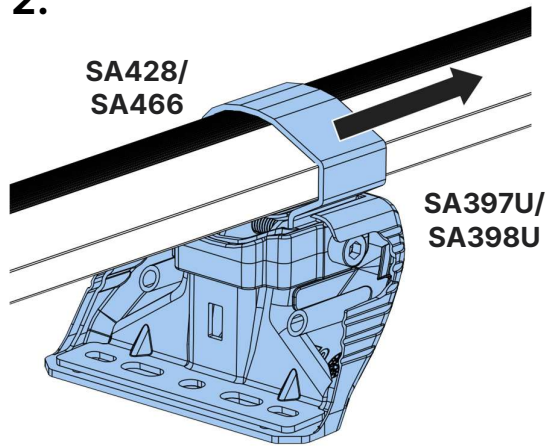
PS405 x 2



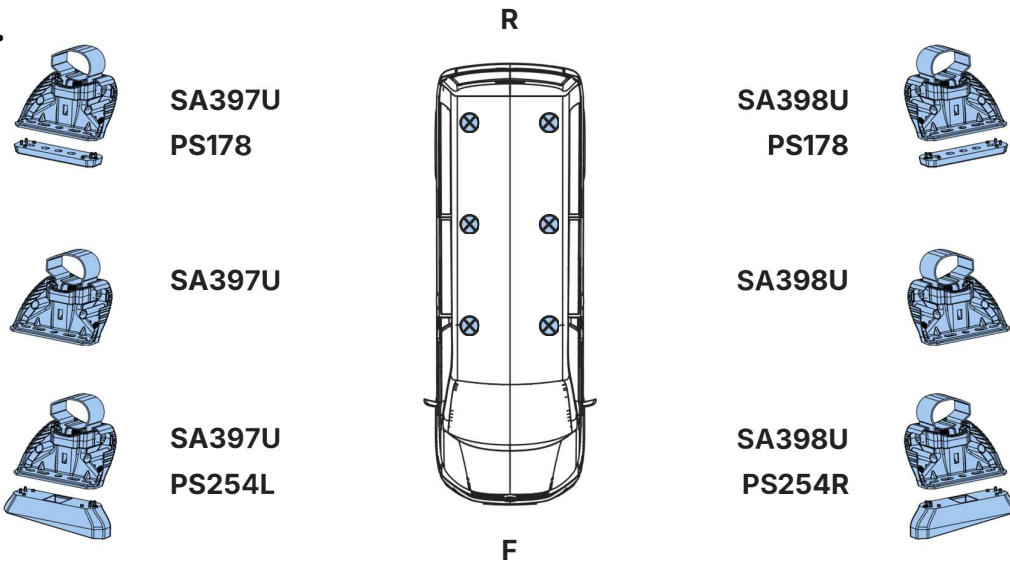
1.



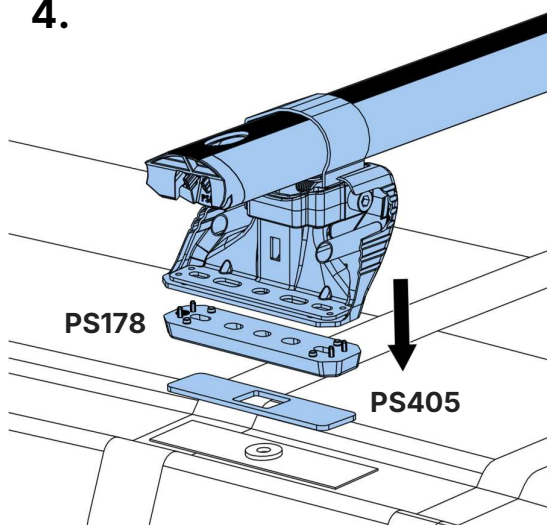
2.



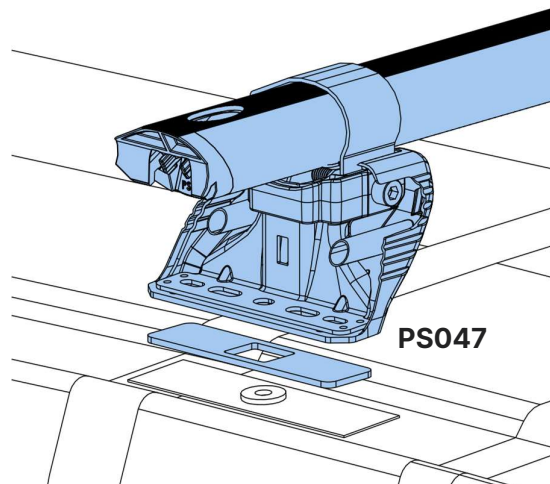
3.



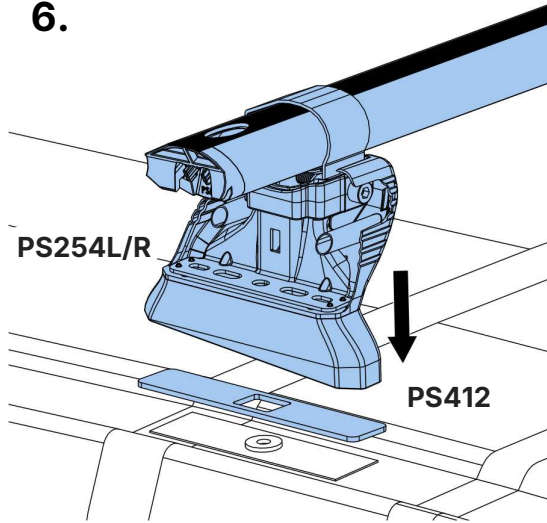
4.



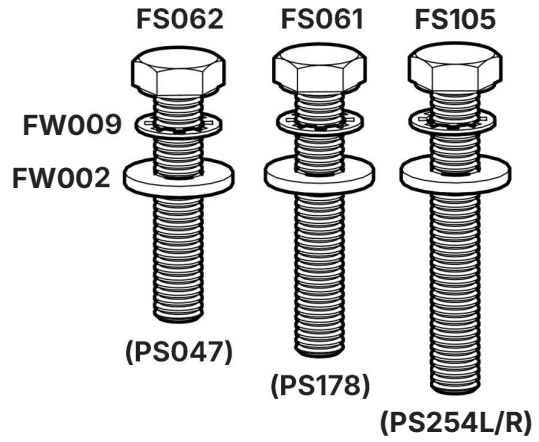
5.



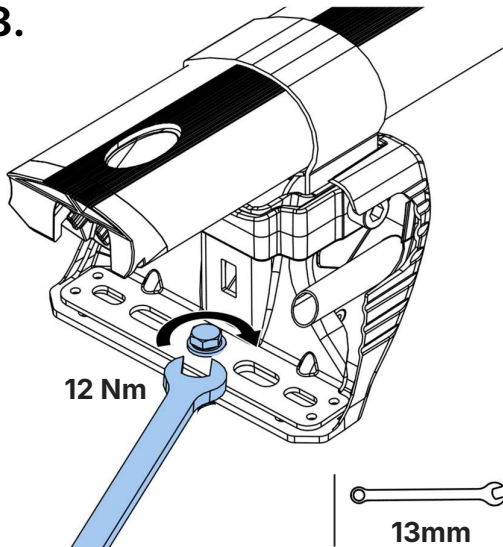
6.



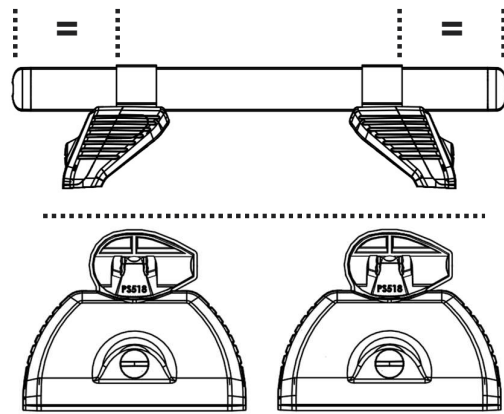
7.



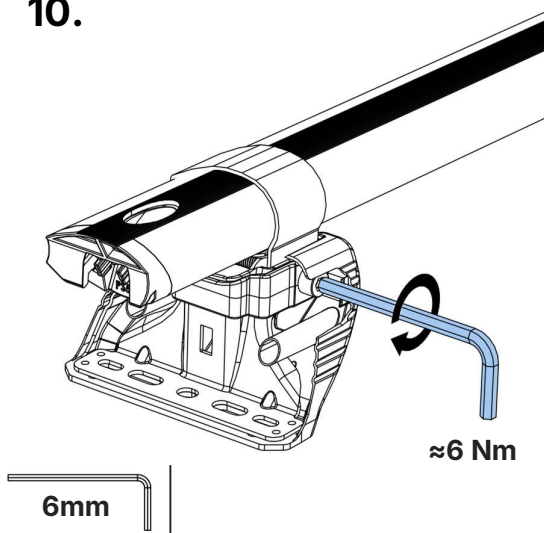
8.



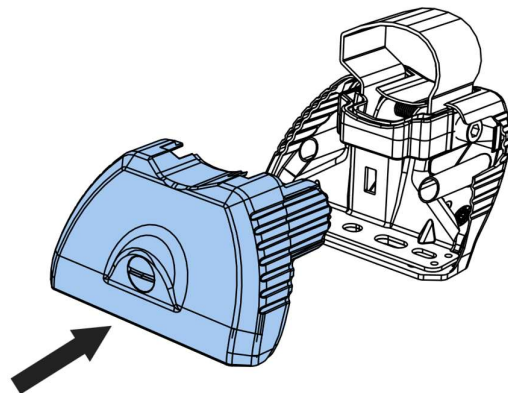
9.



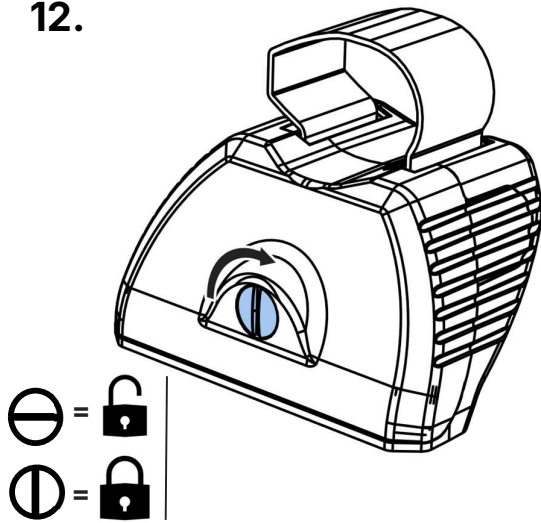
10.



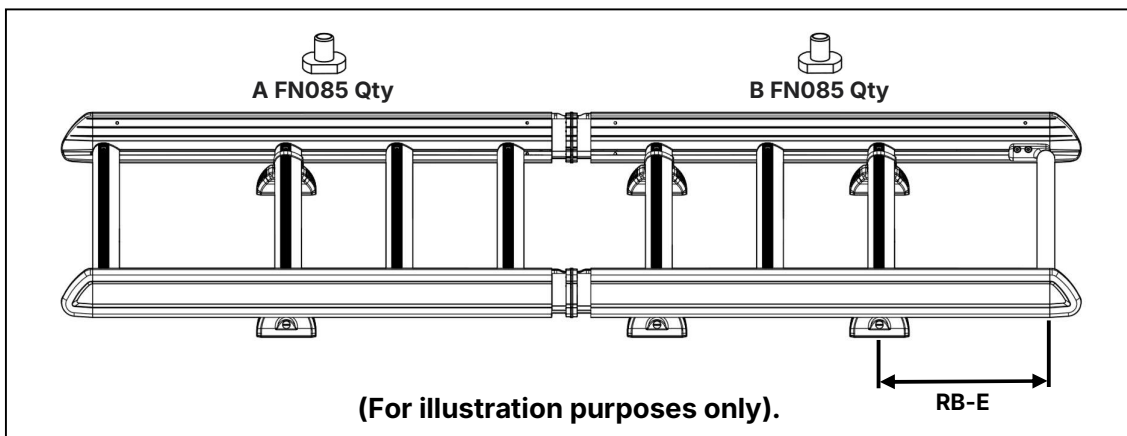
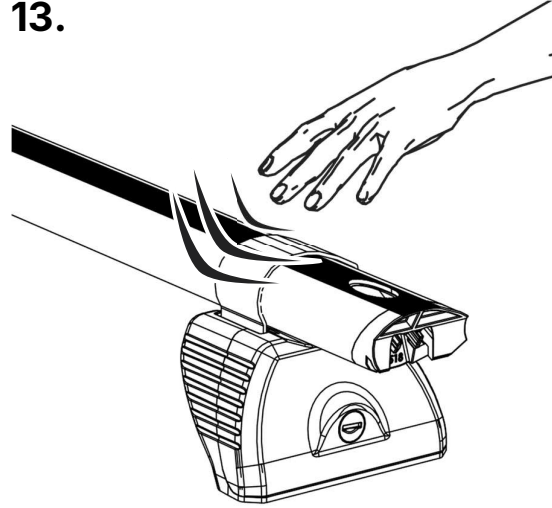
11.



12.



13.

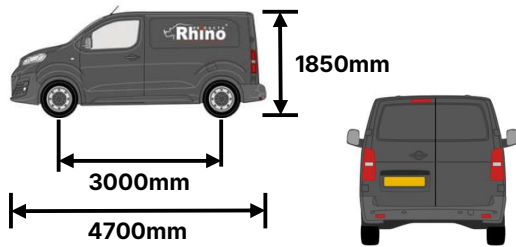


L673/LB673- Berlingo/Partner/Combo 2018-, Proace City 2020-, Doblo 2022- L2-H1 (Twin)

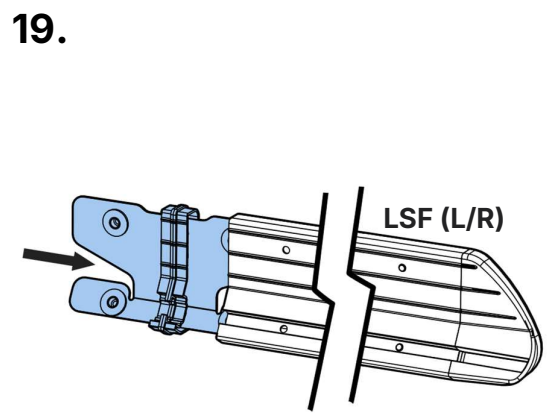
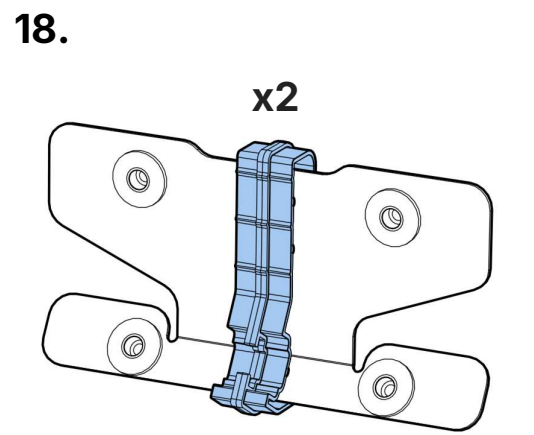
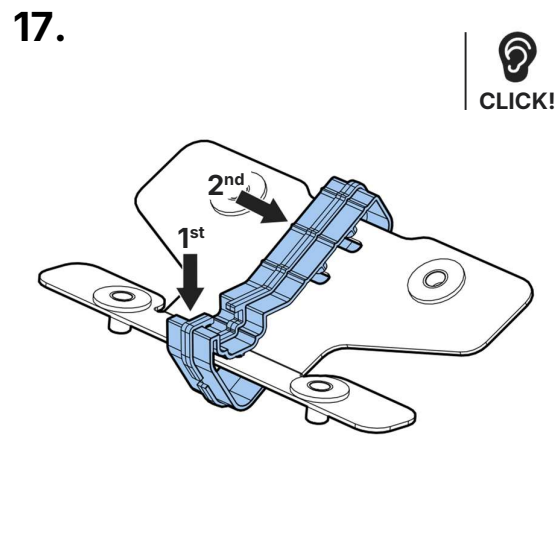
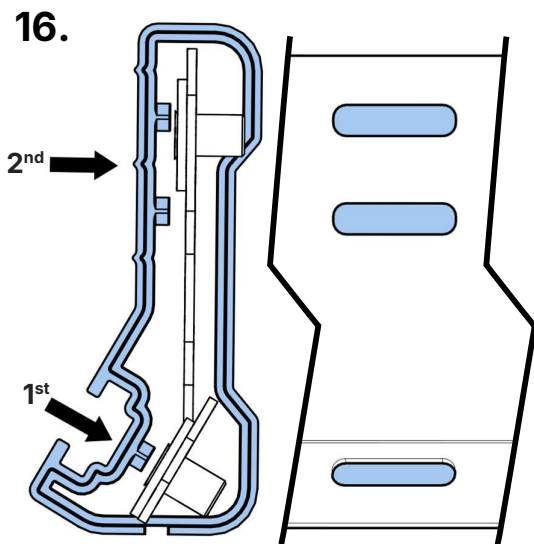
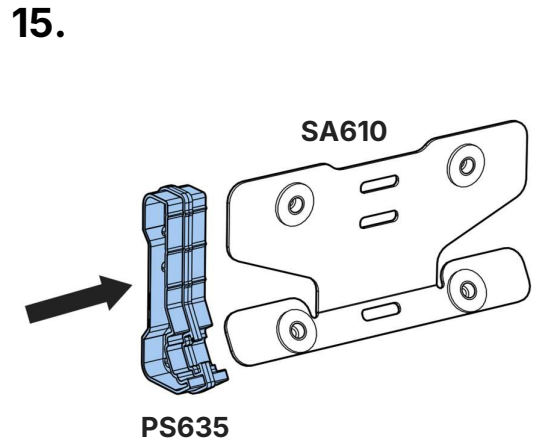
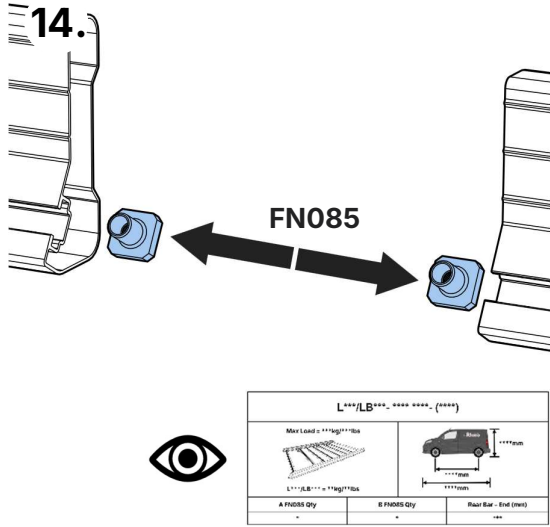
Max Load = 150kg/330lbs



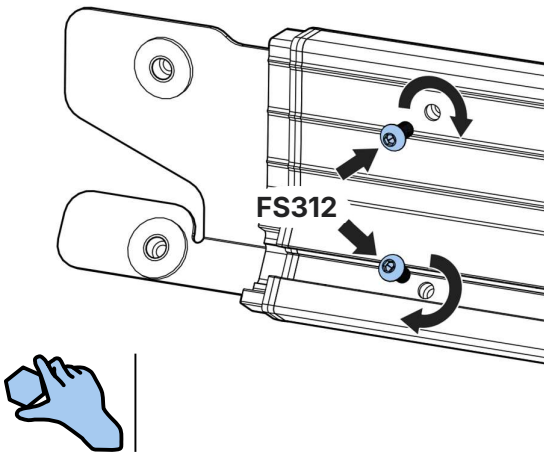
L673/LB673 = 19kg/42lbs



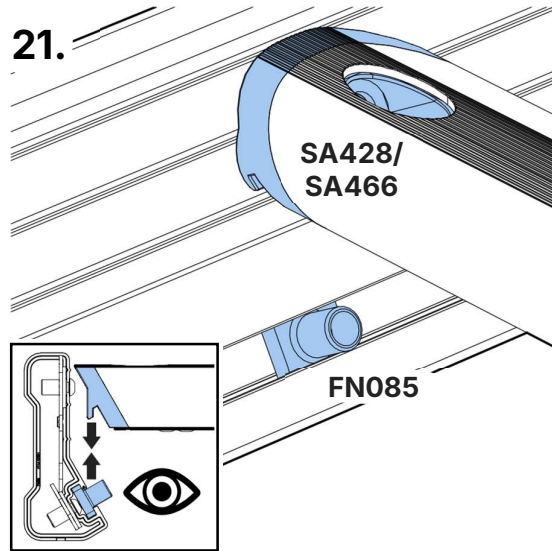
A FN085 Qty	B FN085 Qty	Rear Bar – End (mm)
3	4	370



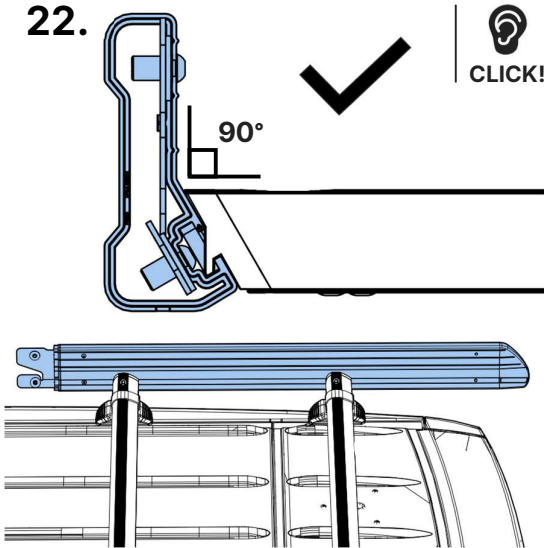
20.



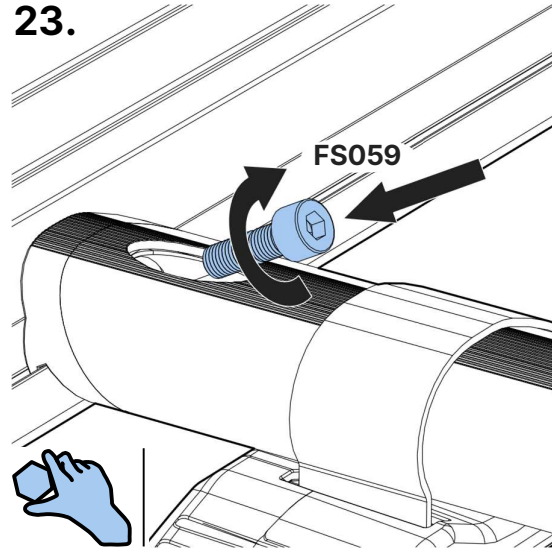
21.



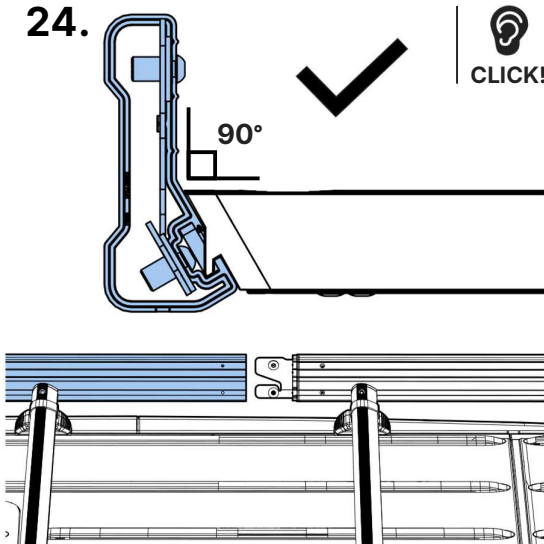
22.



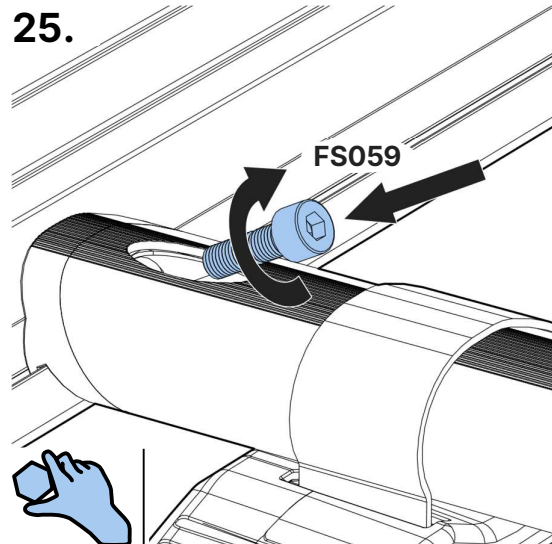
23.

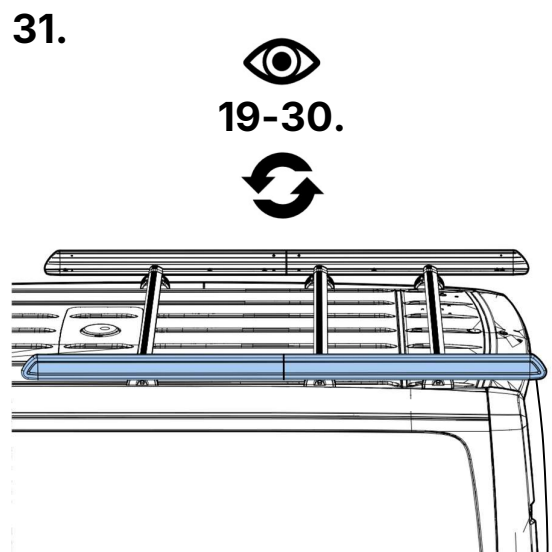
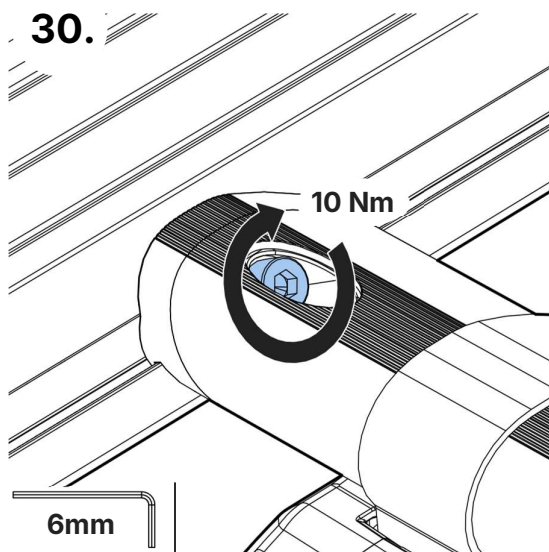
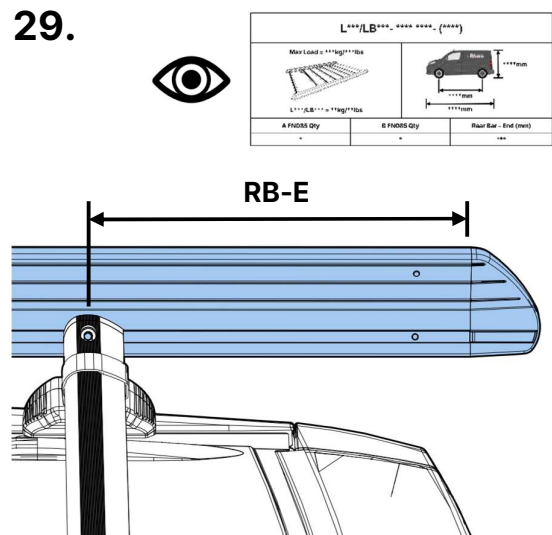
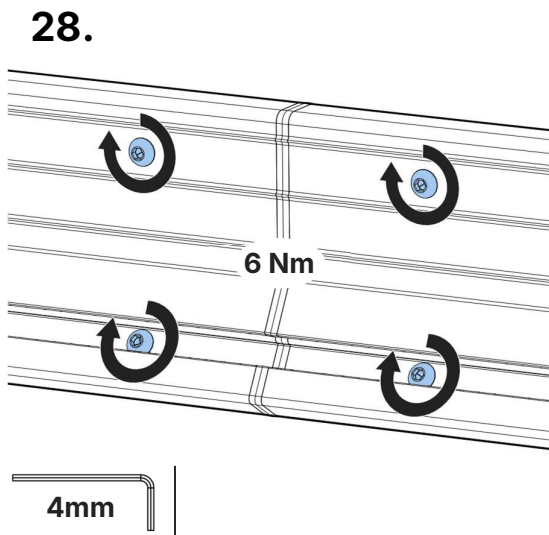
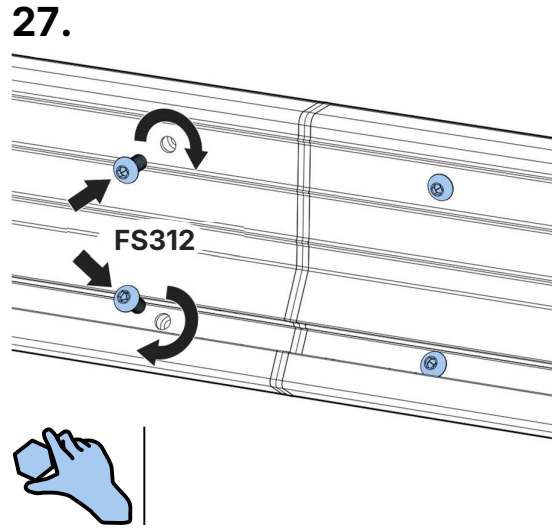
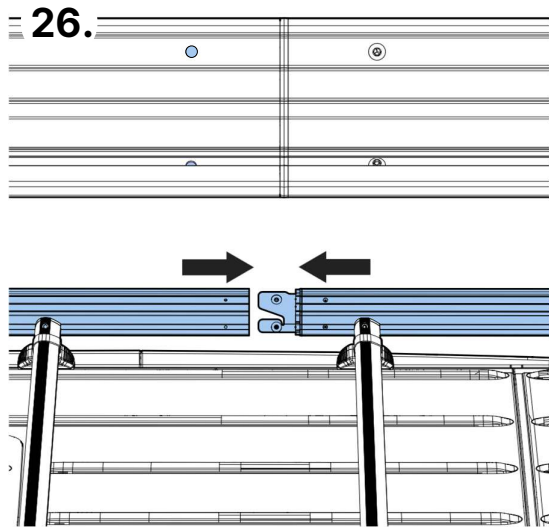


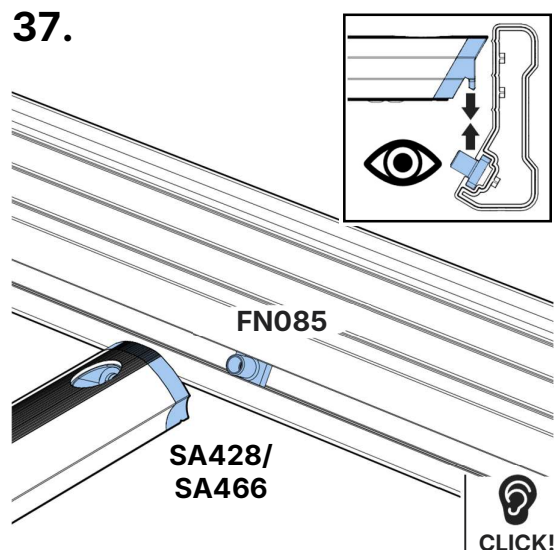
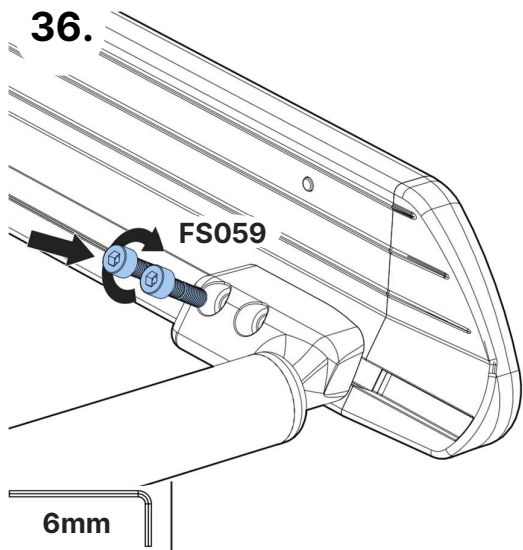
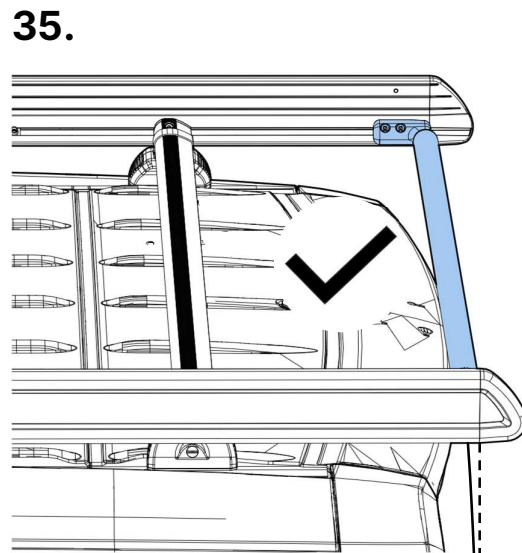
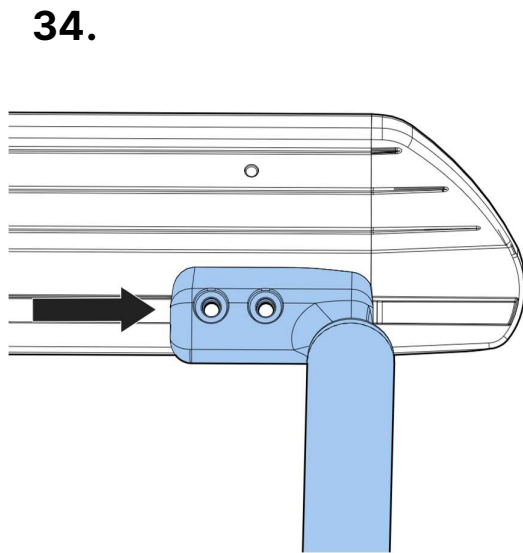
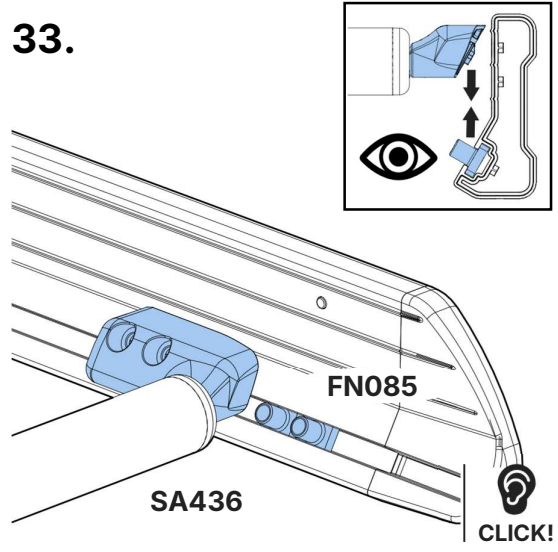
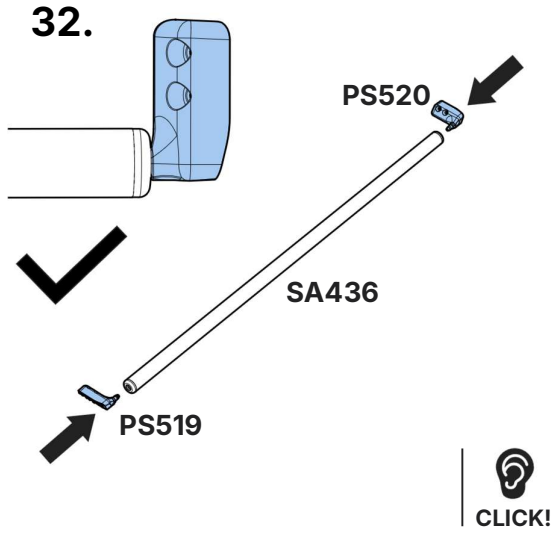
24.



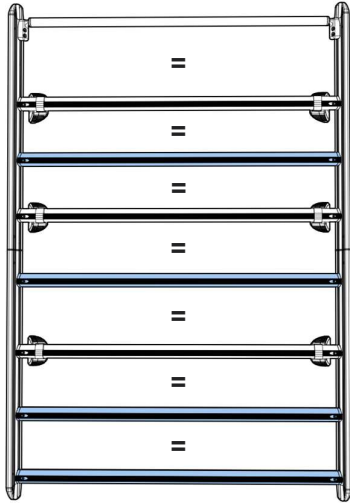
25.



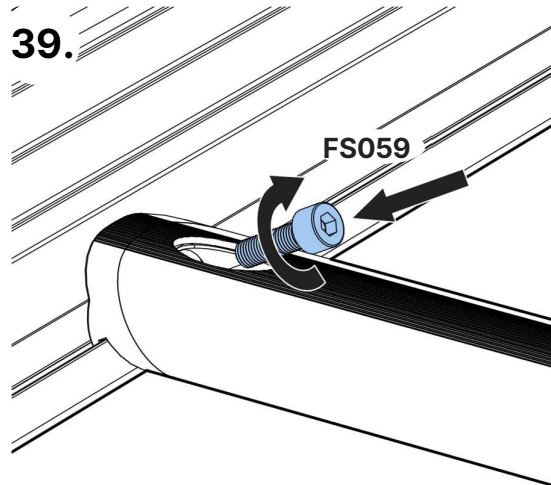




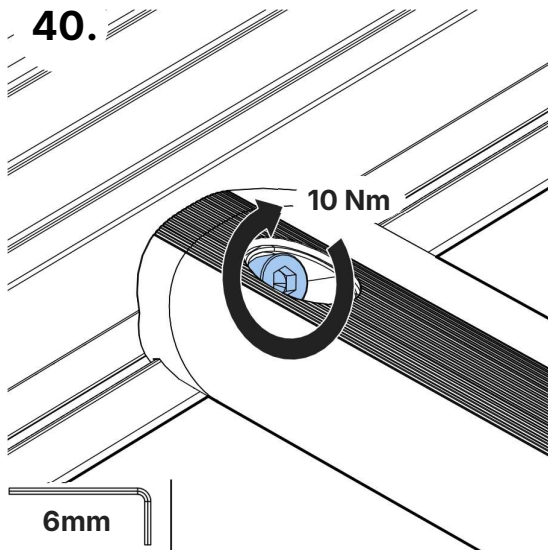
38.



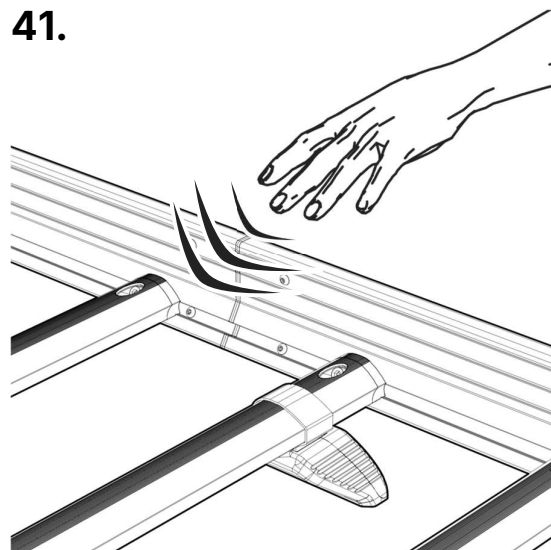
39.



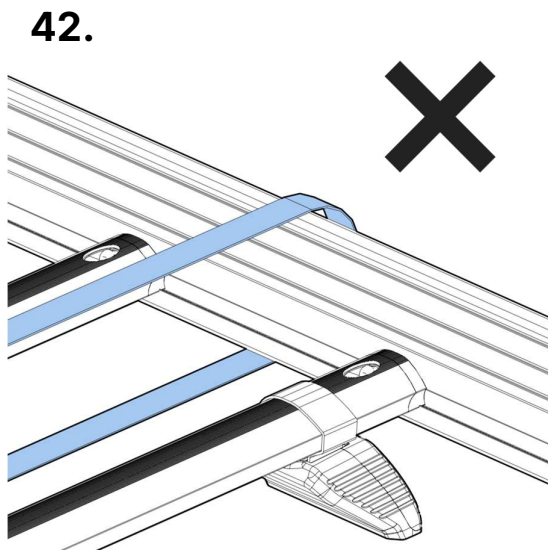
40.



41.



42.



43.

