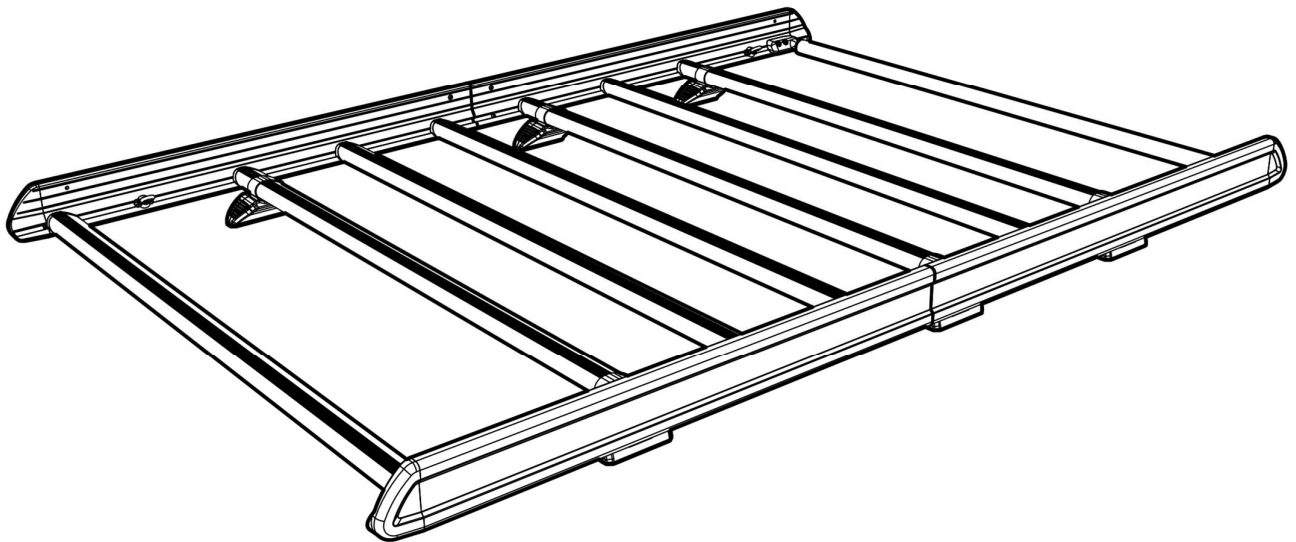


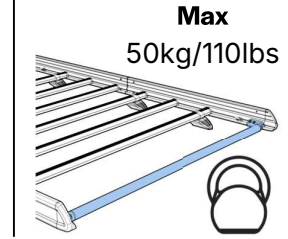
Issue:	Drawn By:	Checked By:	CRF No.:	Date:	Description:
a	SJ	KB	3609	21/10/25	First Issue
b					
c					
d					

I4KE

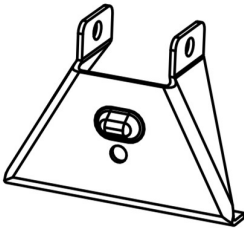
KammEdge.

Instructions

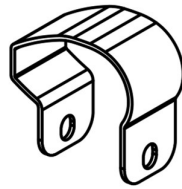




KammEdge.



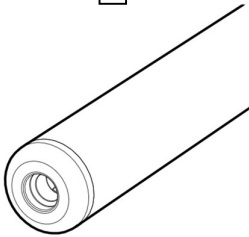
MS1632 x 8



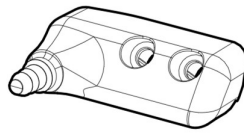
MS1142 x 8



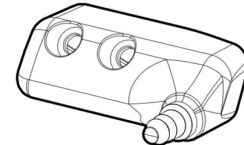
SA430/SA468 x 7



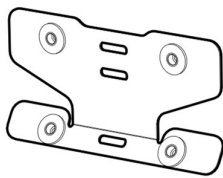
SA438 x 1



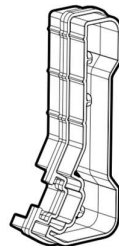
PS519 x 1



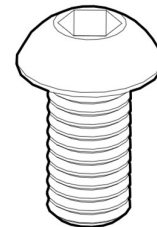
PS520 x 1



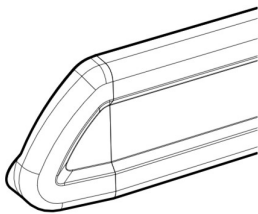
SA610 x 4



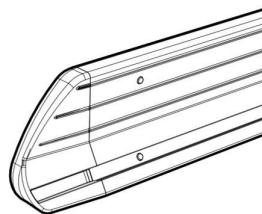
PS635 x 4



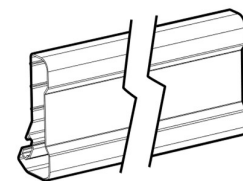
**FS323
(M6 x 16) x 16**



LSF (L) x 2



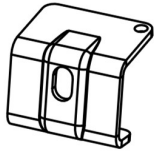
LSF (R) x 2



LSF (M) x 2



Fitting Kit



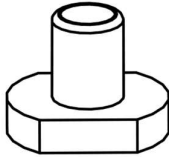
20186003 x 8



PS006-120 x 8



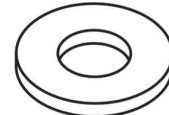
FS059
(M8 x 25) x 18



FN085 x 18



FN006 (M8) x 16



FW002 (M8) x 32



FS081
(M8 x 50) x 8



FB003
(M8 x 65) x 8



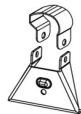
FT01 x 1



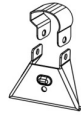
FT05 x 1



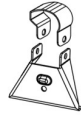
1.



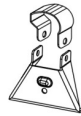
MS1142
MS1632



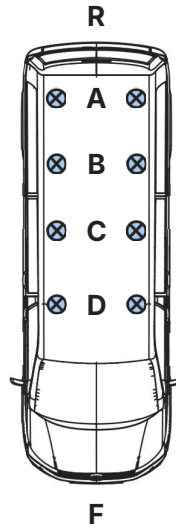
MS1142
MS1632



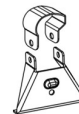
MS1142
MS1632



MS1142
MS1632



MS1142
MS1632



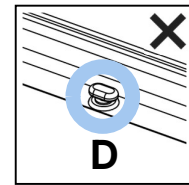
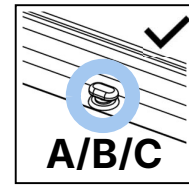
MS1142
MS1632



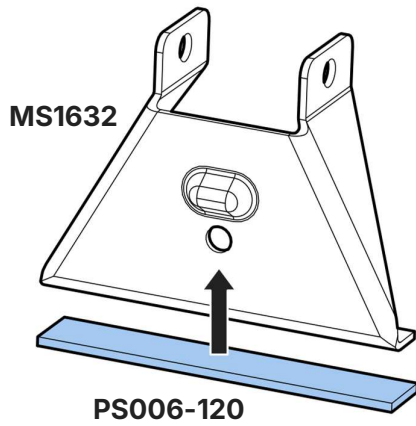
MS1142
MS1632



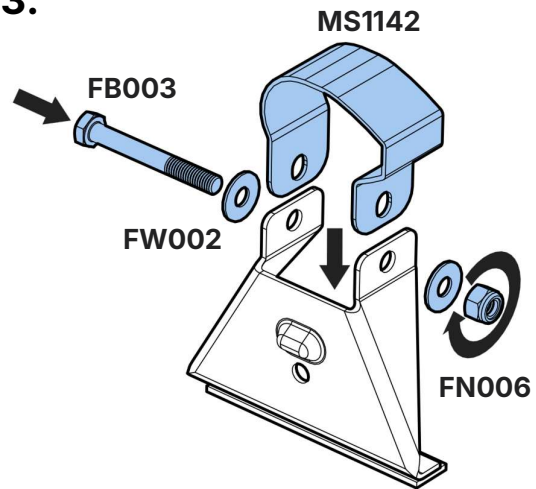
MS1142
MS1632



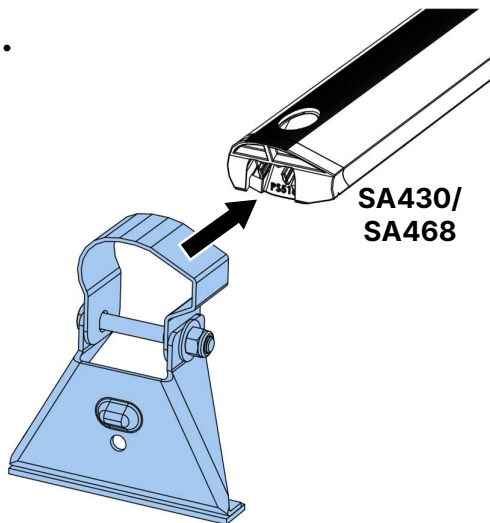
2.



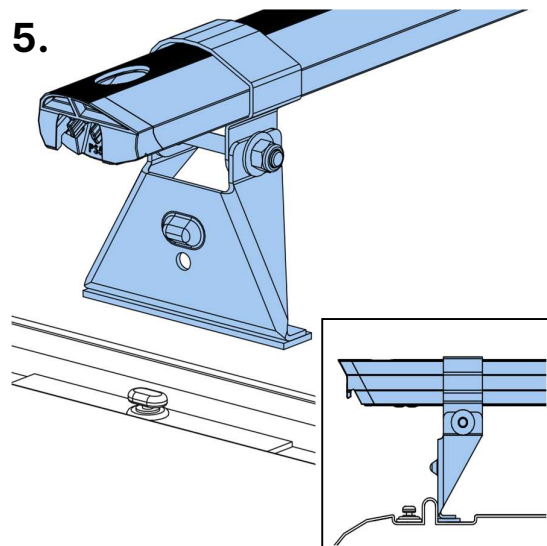
3.

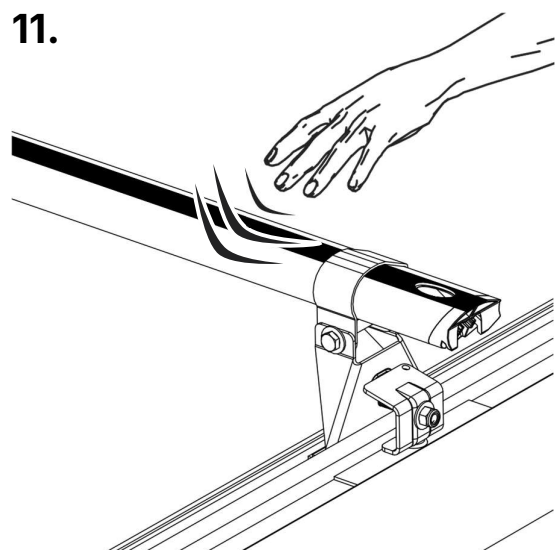
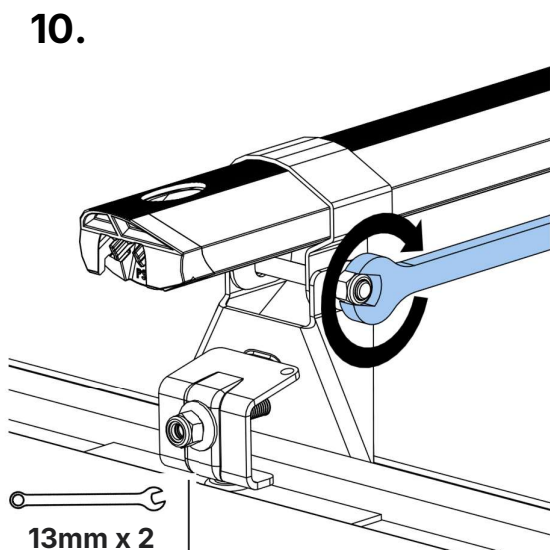
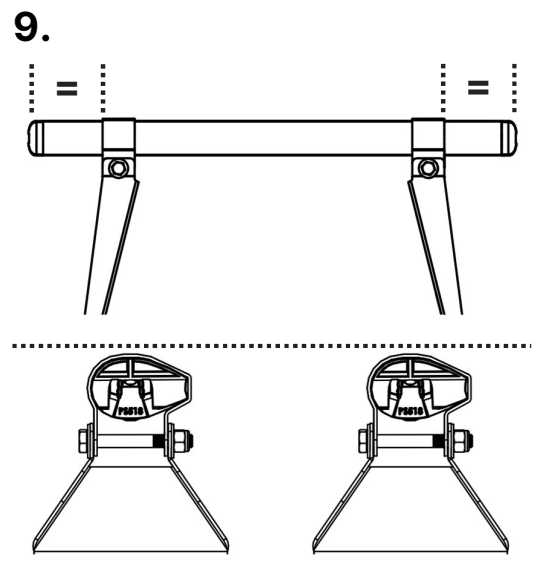
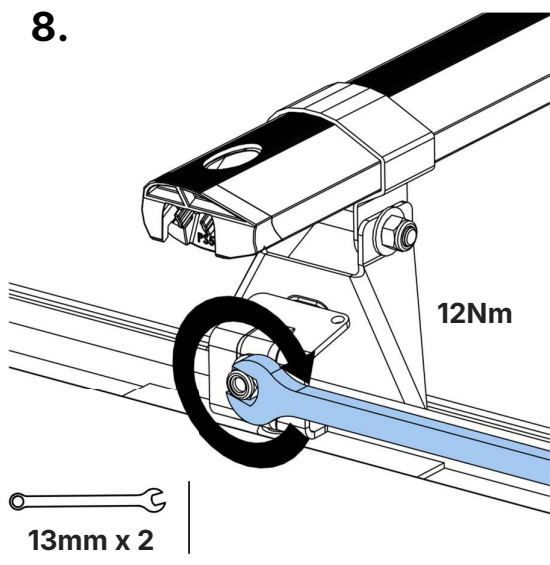
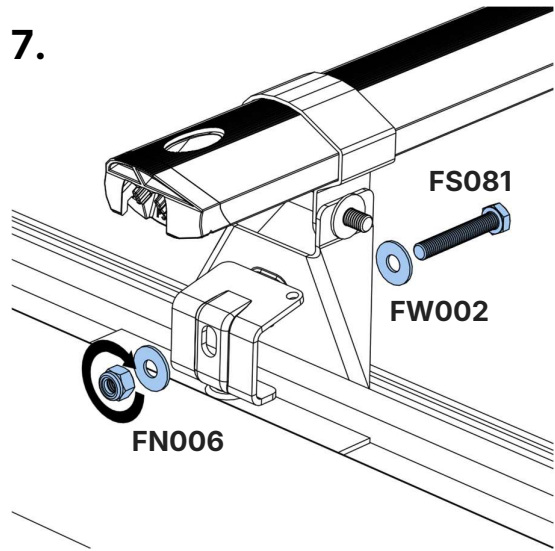
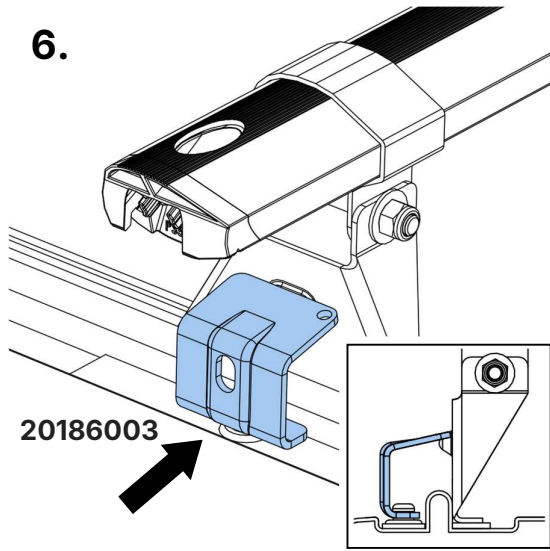


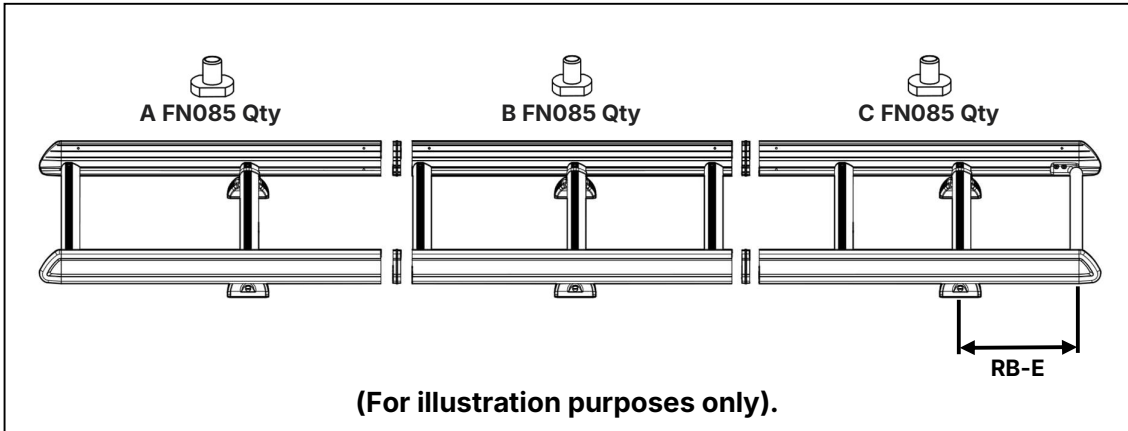
4.


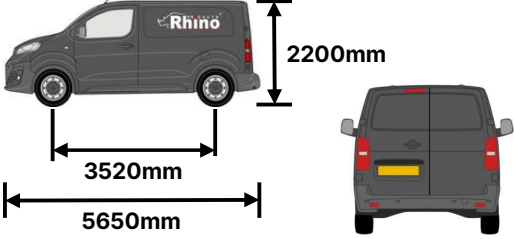



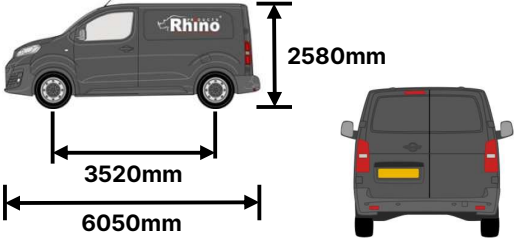
5.



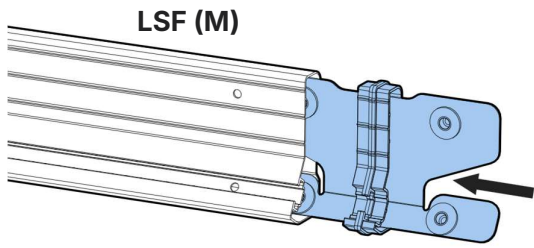




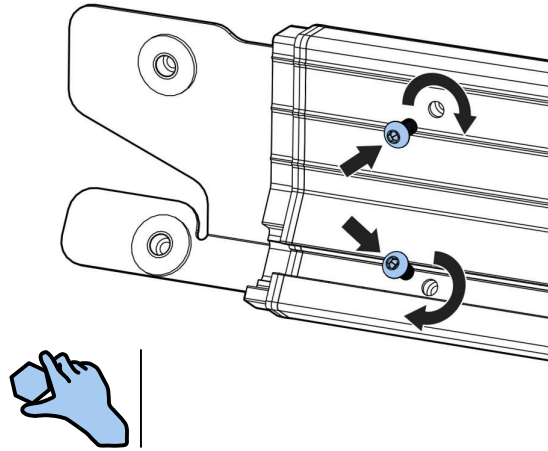
L639/LB639- Iveco Daily 2014-, L2-H1 (Twin)			
<p>Max Load = 150kg/330lbs</p>  <p>L639/LB639 = 38kg/83lbs</p>			
A FN085 Qty	B FN085 Qty	C FN085 Qty	Rear Bar – End (mm)
4	1	4	590

L665/LB665- Iveco Daily 2014-, L3-H2 (Twin)			
<p>Max Load = 150kg/330lbs</p>  <p>L665/LB665 = 34kg/74lbs</p>			
A FN085 Qty	B FN085 Qty	C FN085 Qty	Rear Bar – End (mm)
3	1	5	270

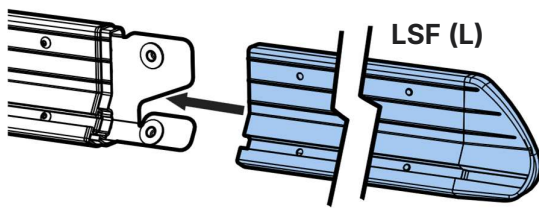
18.



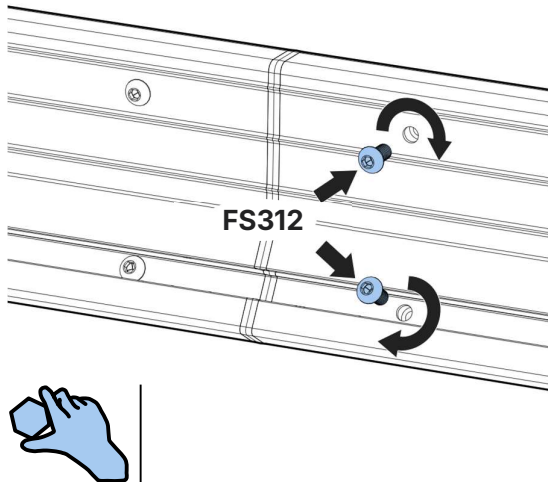
19.



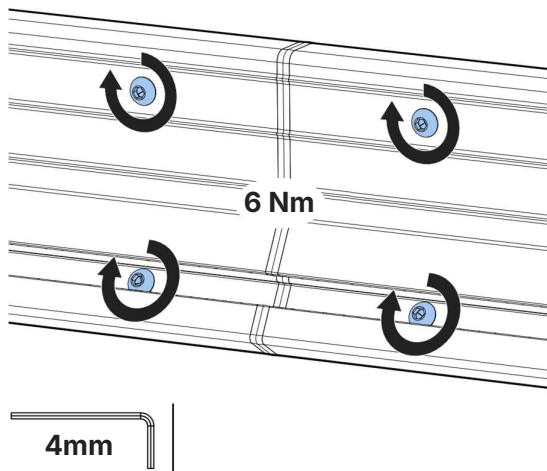
20.



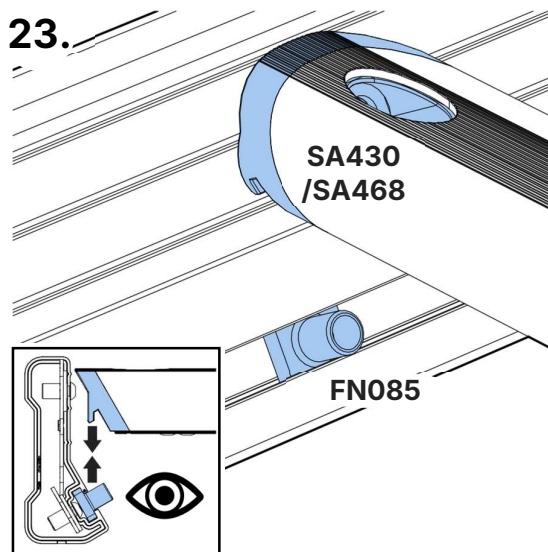
21.

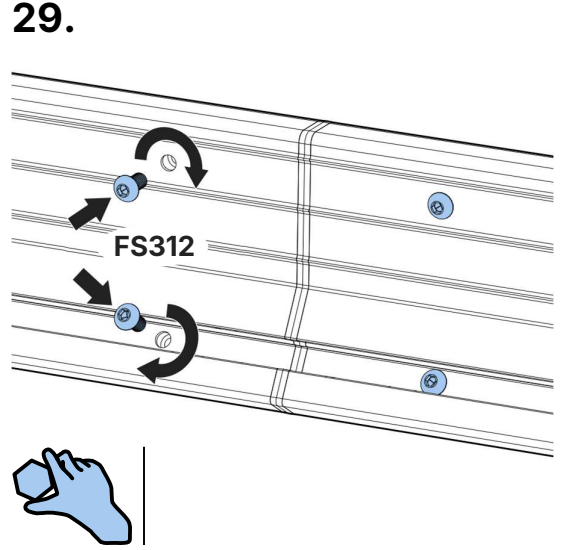
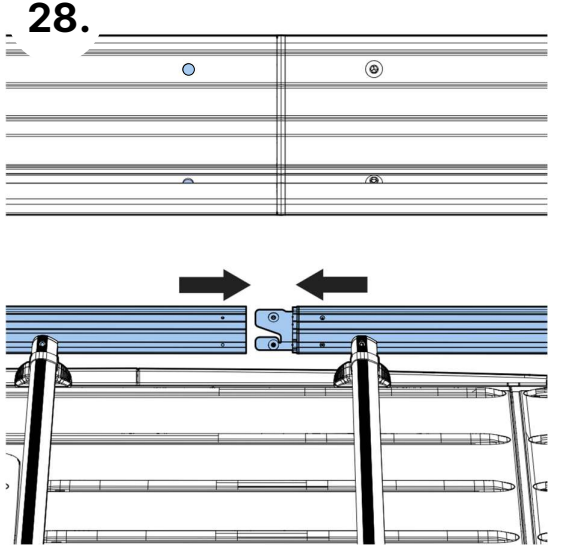
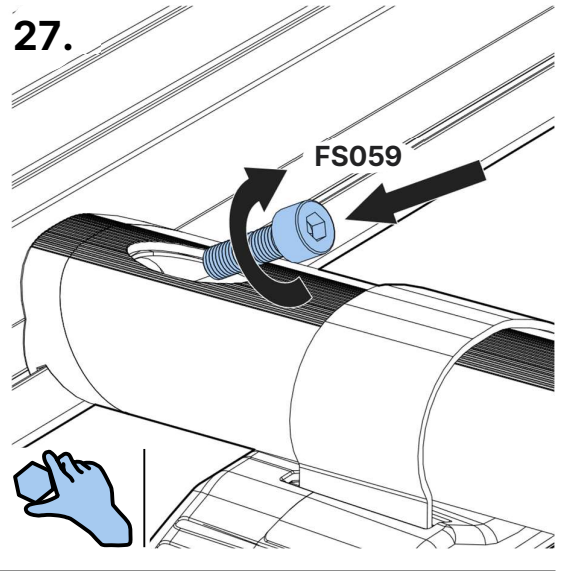
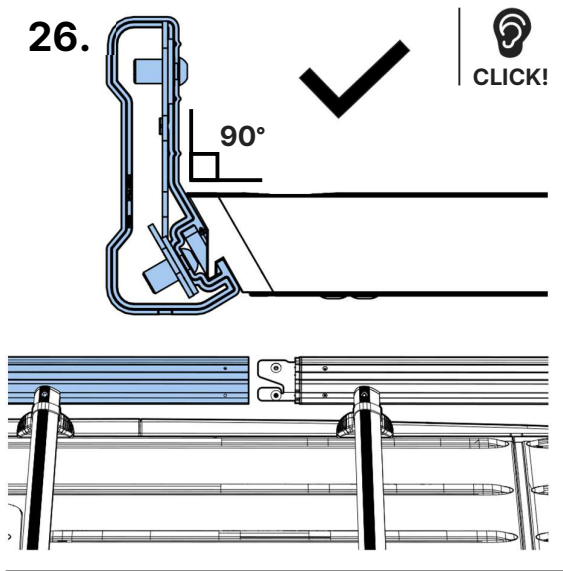
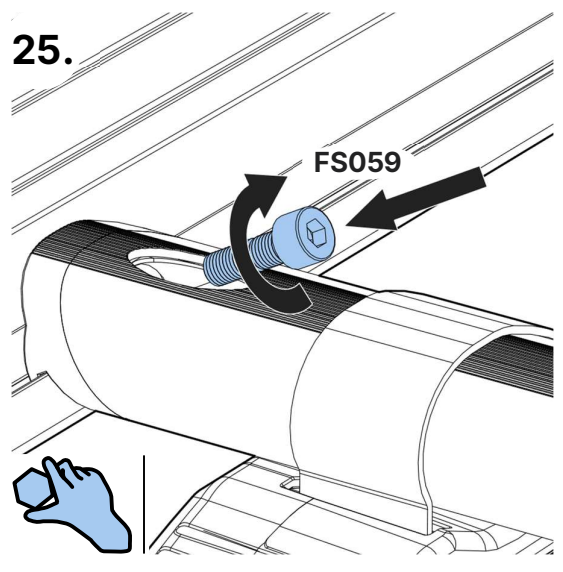
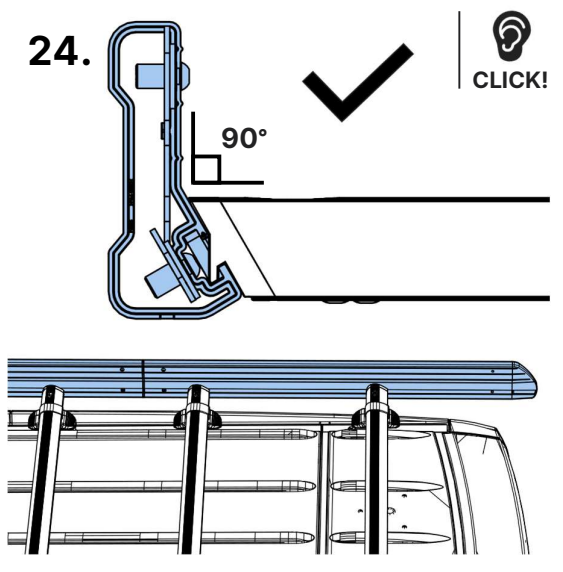


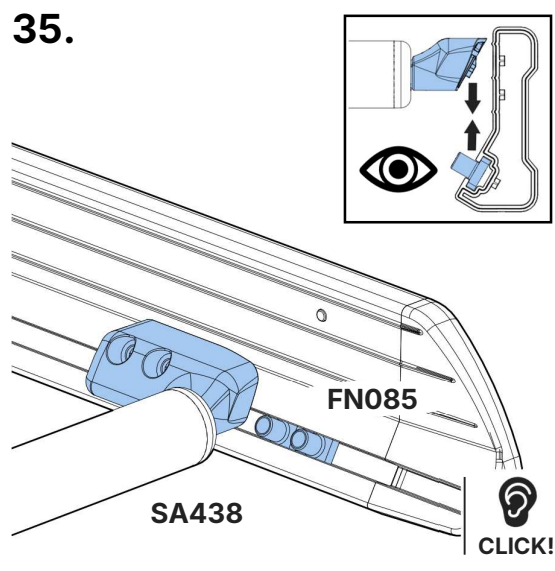
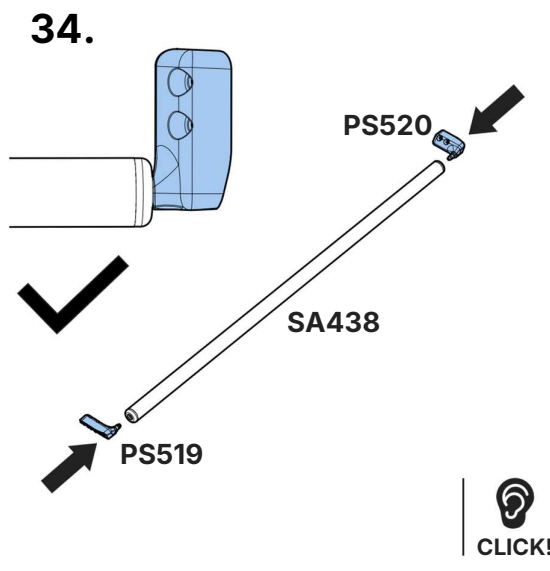
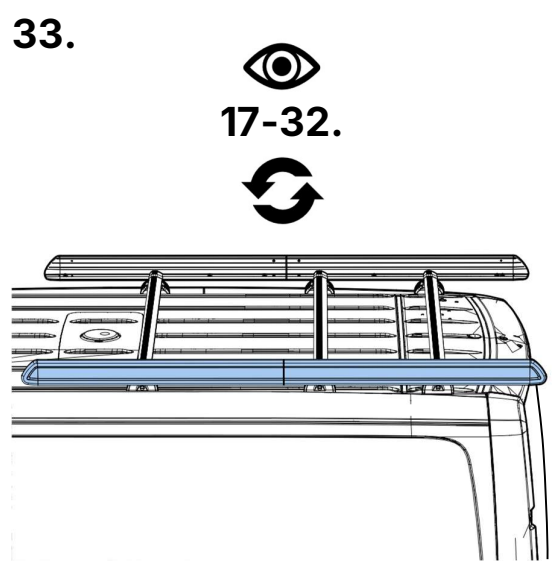
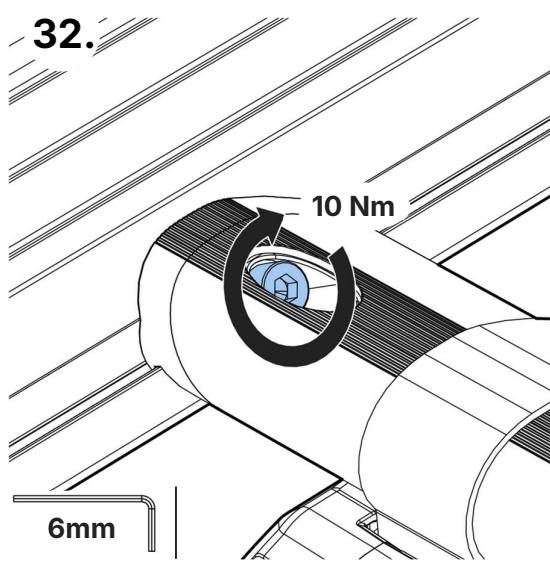
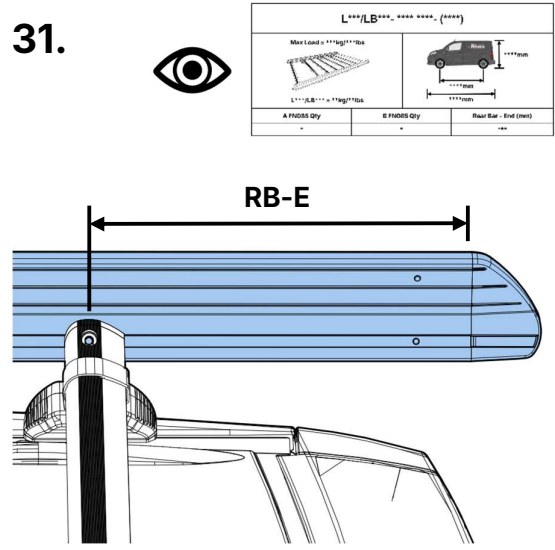
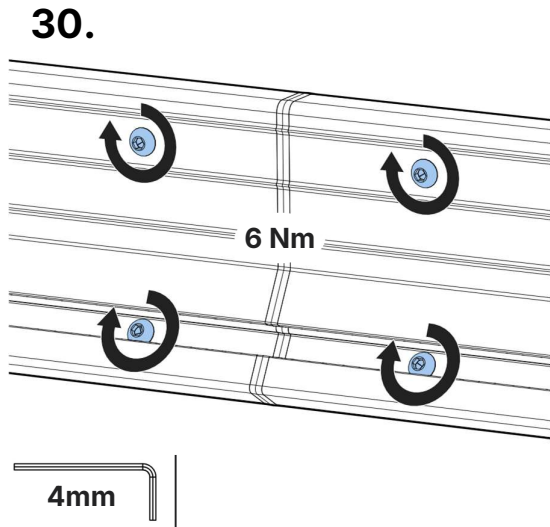
22.



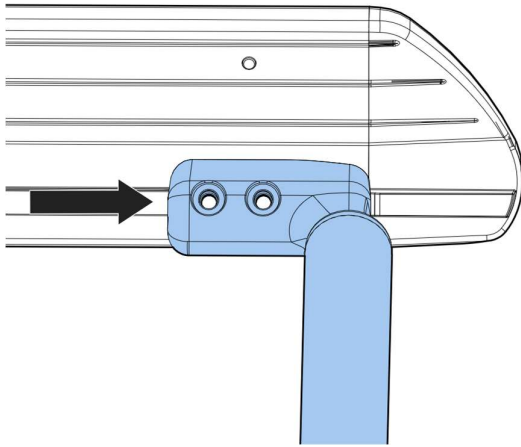
23.



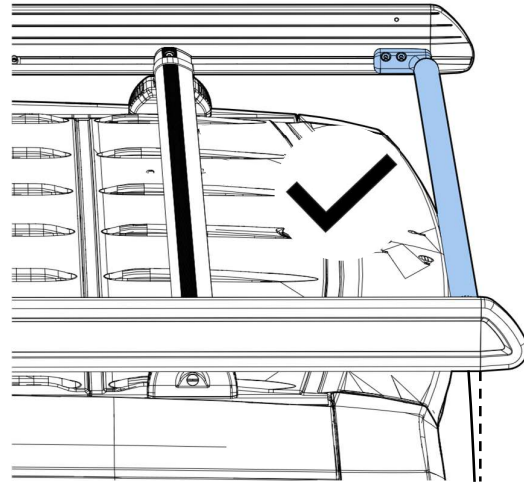




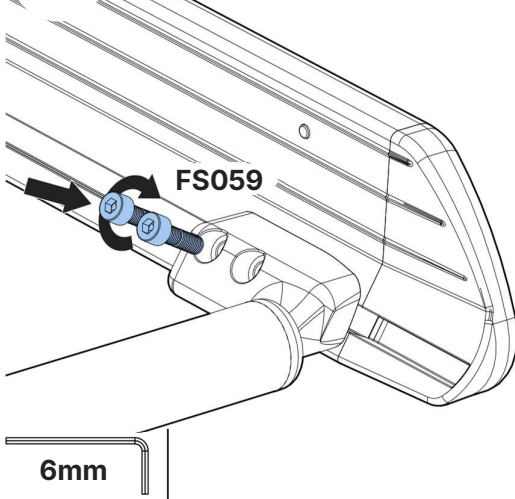
36.



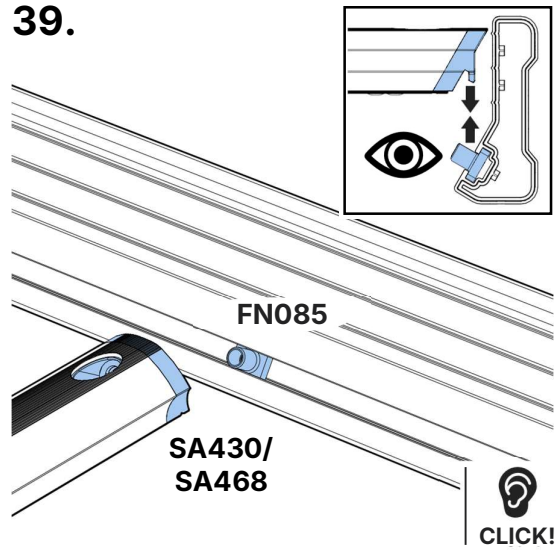
37.



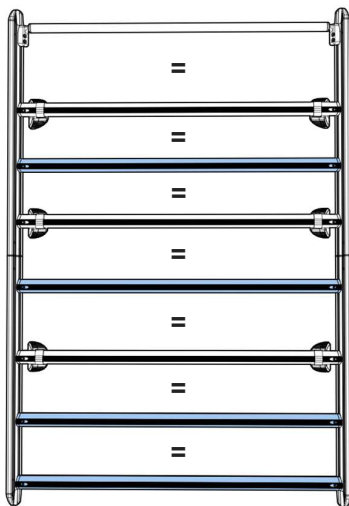
38.



39.



40.



41.

