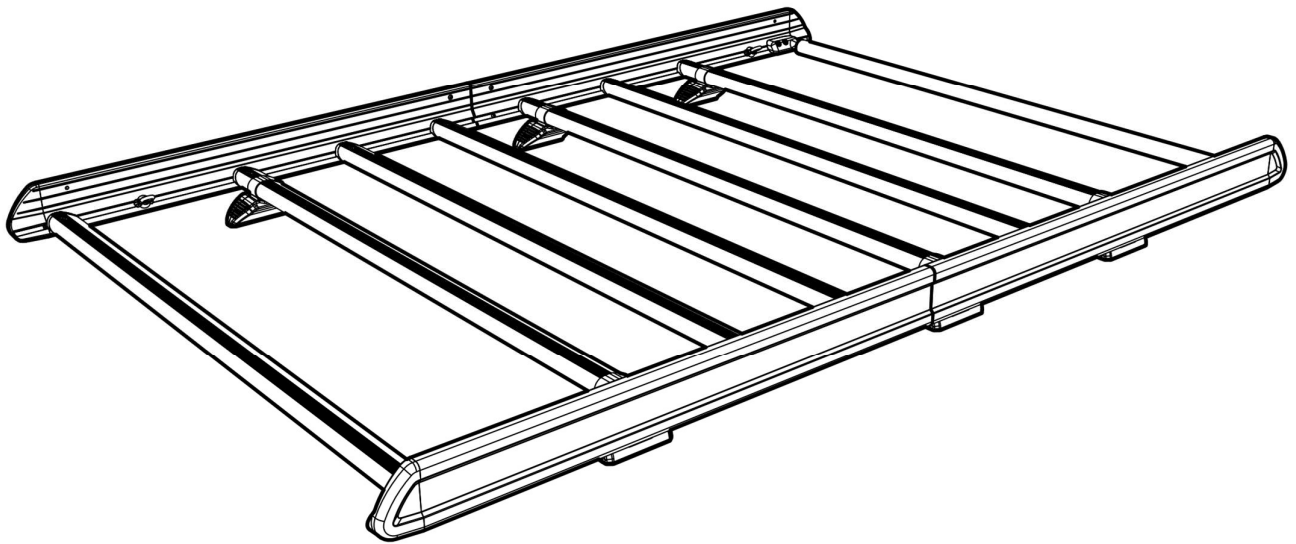


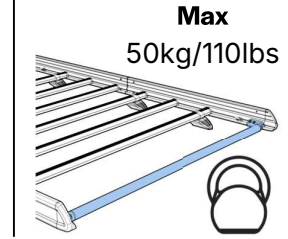
Issue:	Drawn By:	Checked By:	CRF No.:	Date:	Description:
a	SJ	KB	3609	21/10/25	First Issue
b					
c					
d					

IA3KE

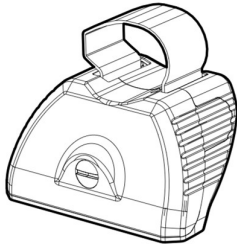
KammEdge.

Instructions

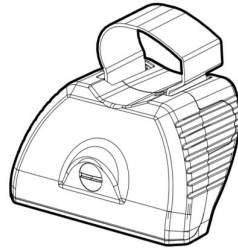




KammEdge.



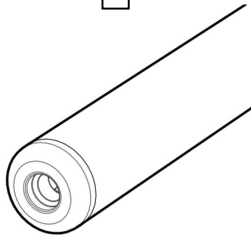
SA397U x 3



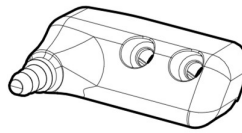
SA398U x 3



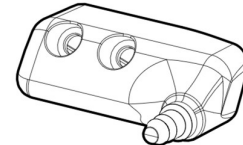
SA431/SA469 x 7



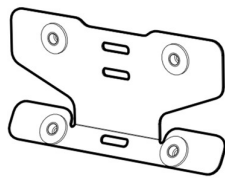
SA439 x 1



PS519 x 1



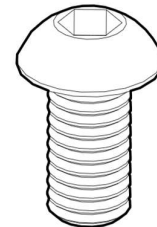
PS520 x 1



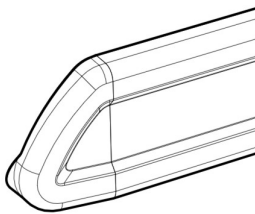
SA610 x 2



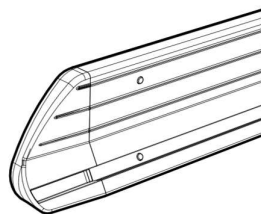
PS635 x 2



**FS323
(M6 x 16) x 8**



LSF (L) x 2

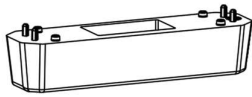


LSF (R) x 2

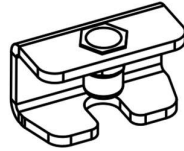


C04 x 6
optional upgrade

Fitting Kit



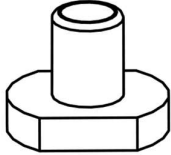
PS180 x 6



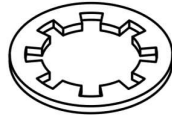
SA068 x 6



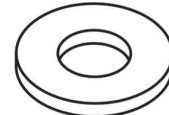
FS059
(M8 x 25) x 18



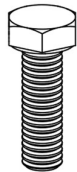
FN085 x 18



FW009 (M8) x 6



FW002 (M8) x 6



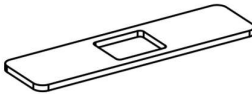
FS067
(M8 x 20) x 6



FT05 x 1



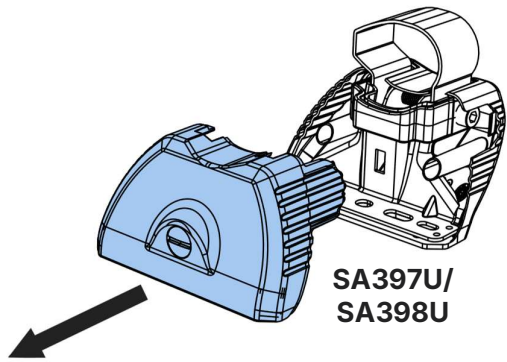
FT01 x 1



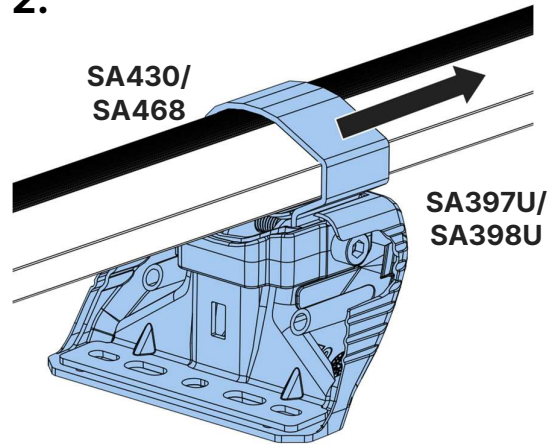
PS047 x 6



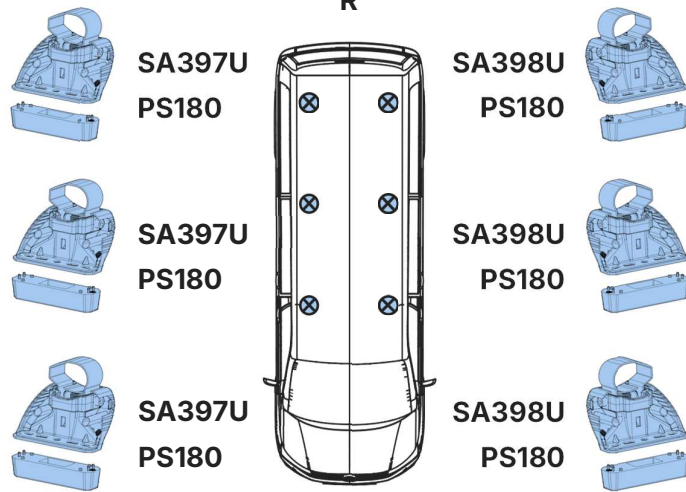
1.



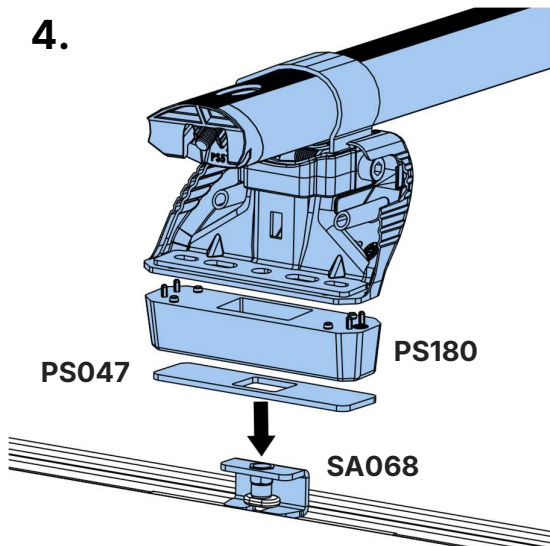
2.



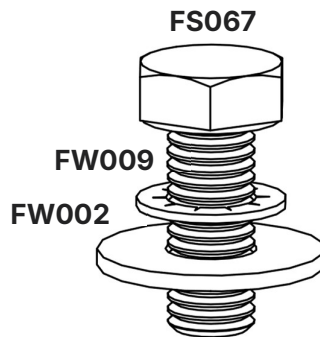
3.

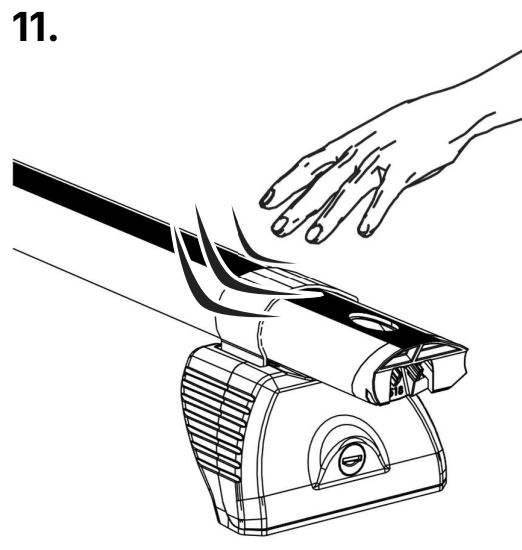
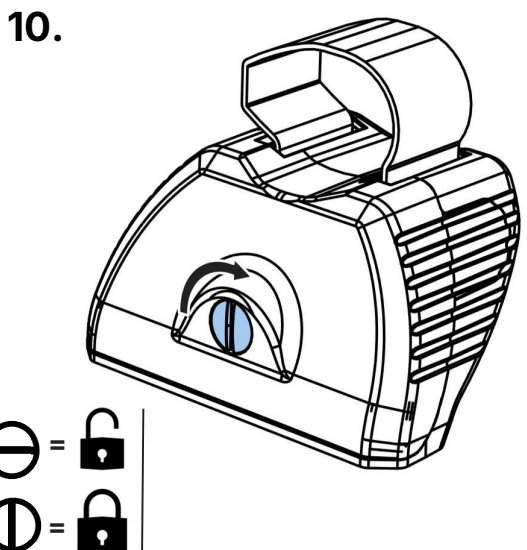
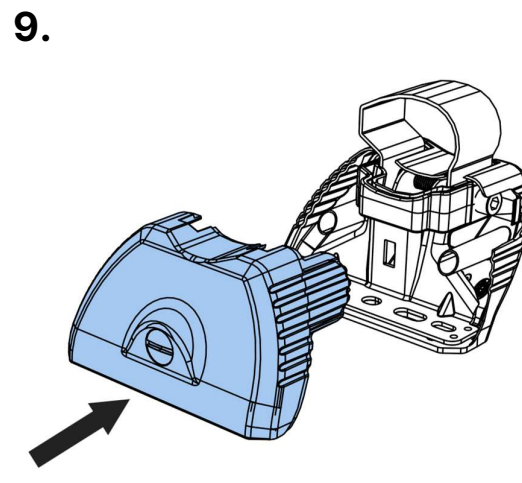
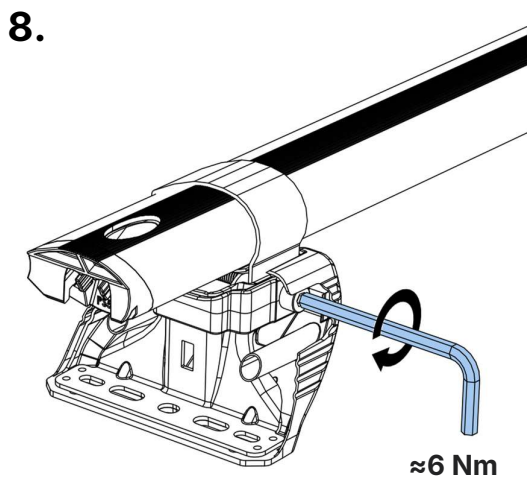
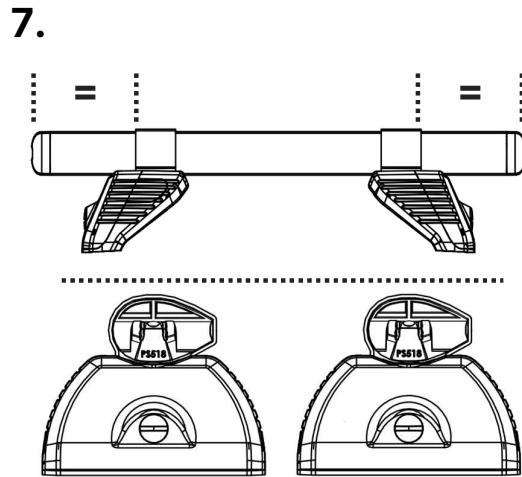
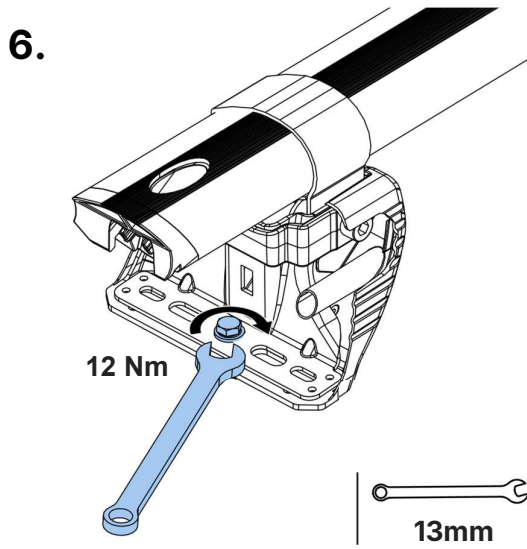


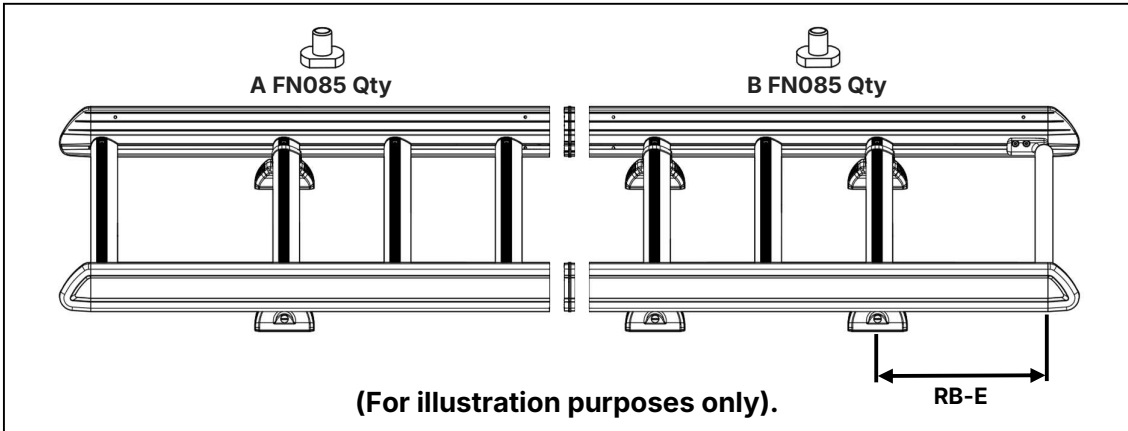
4.


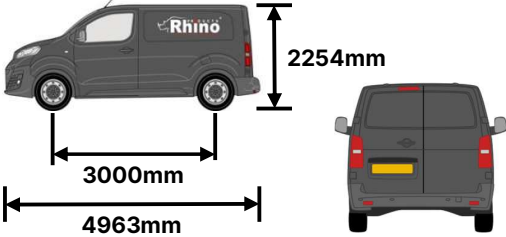



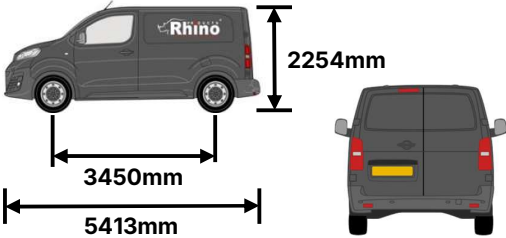
5.







L545/LB545- Jumper/Relay/Boxer/Ducato 2006-, Movano 2020-, L1-H1 (Twin)		
<p>Max Load = 150kg/330lbs</p>  <p>L545/LB545 = 27kg/60lbs</p>		
A FN085 Qty	B FN085 Qty	Rear Bar – End (mm)
4	5	405

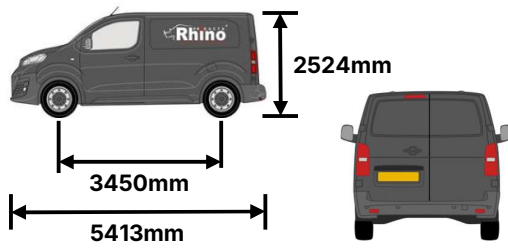
L545/LB545- Jumper/Relay/Boxer/Ducato 2006-, Movano 2020-, L2-H1 (Twin)		
<p>Max Load = 150kg/330lbs</p>  <p>L545/LB545 = 27kg/60lbs</p>		
A FN085 Qty	B FN085 Qty	Rear Bar – End (mm)
4	5	380

**L545/LB545- Jumper/Relay/Boxer/Ducato 2006-, Movano
2020-, L2-H2 (Twin)**

Max Load = 150kg/330lbs

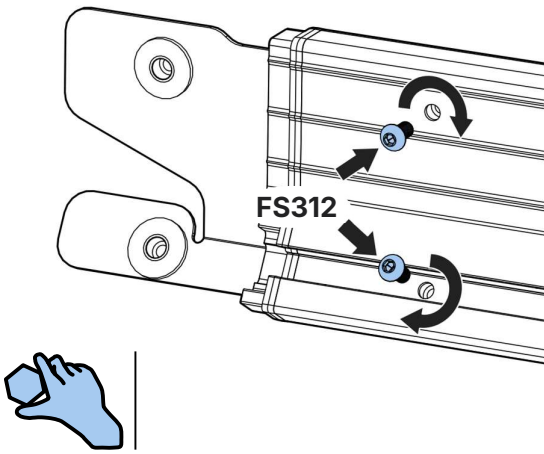


L545/LB545 = 27kg/60lbs

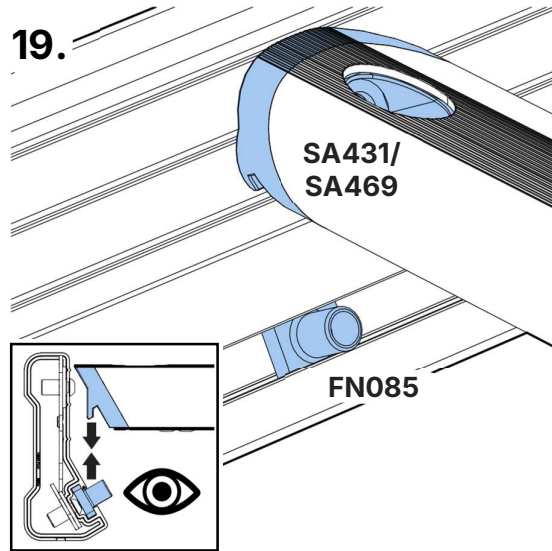


A FN085 Qty	B FN085 Qty	Rear Bar – End (mm)
4	5	345

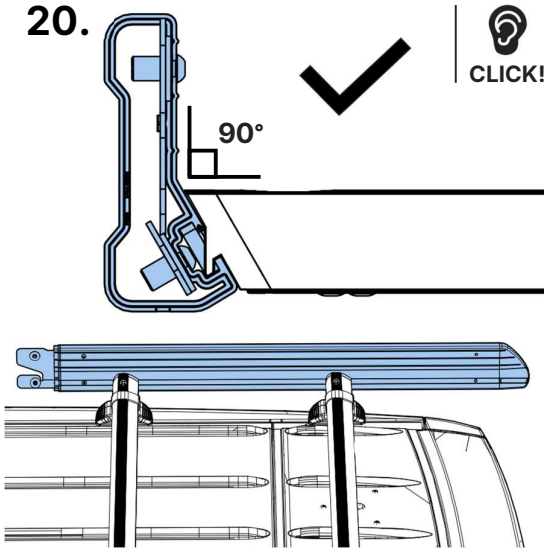
18.



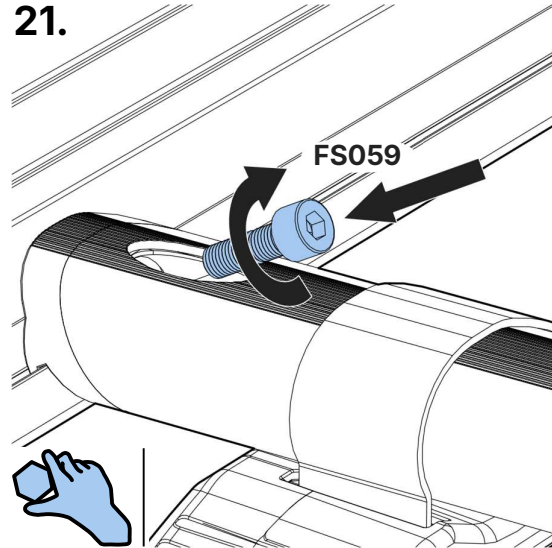
19.



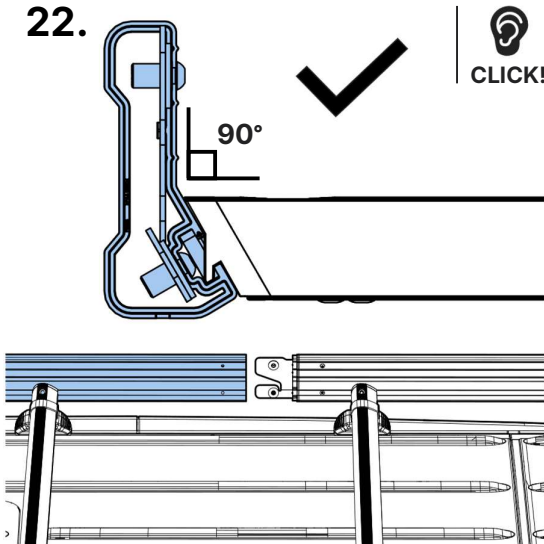
20.



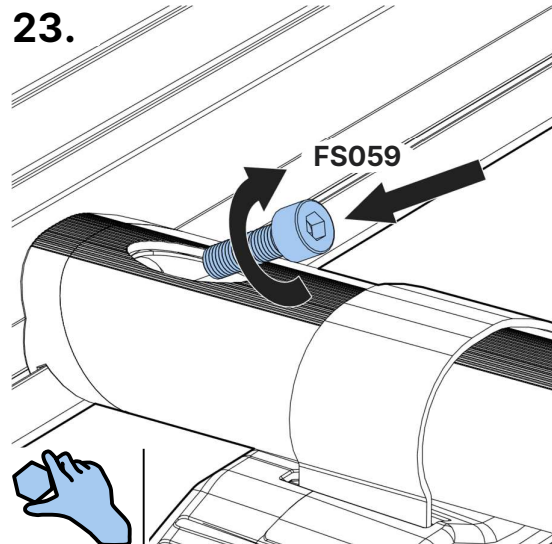
21.

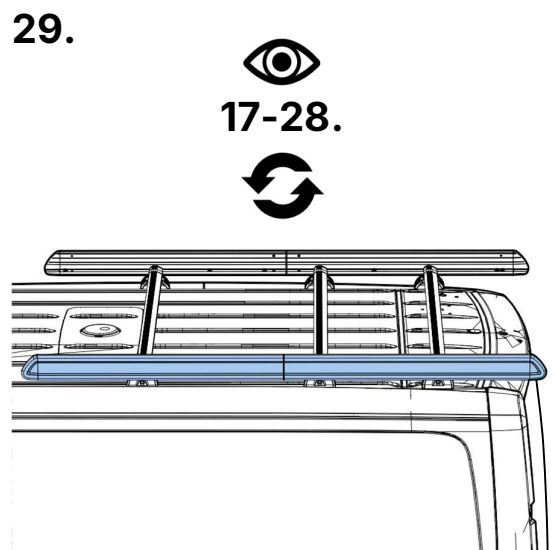
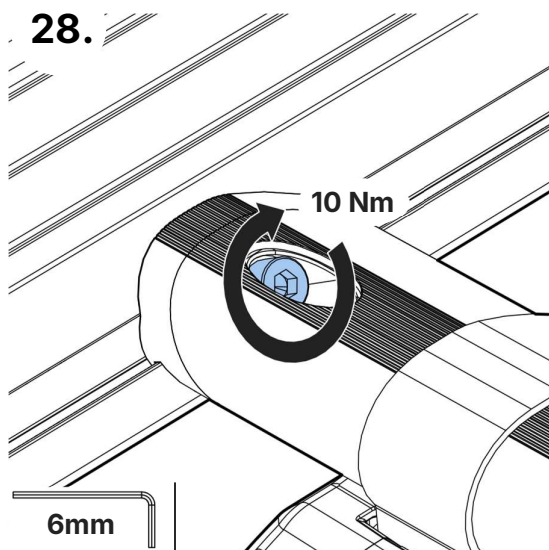
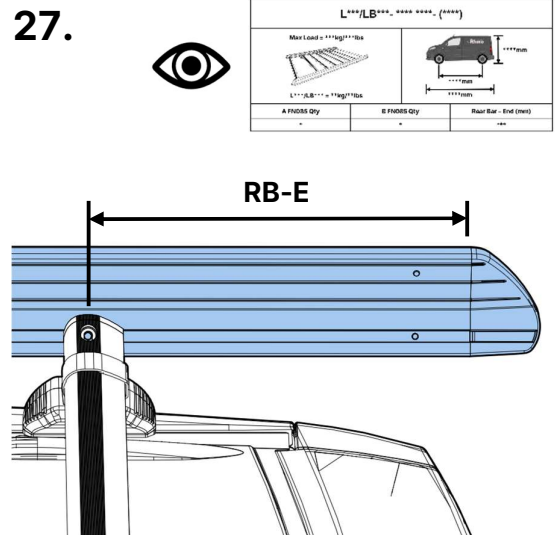
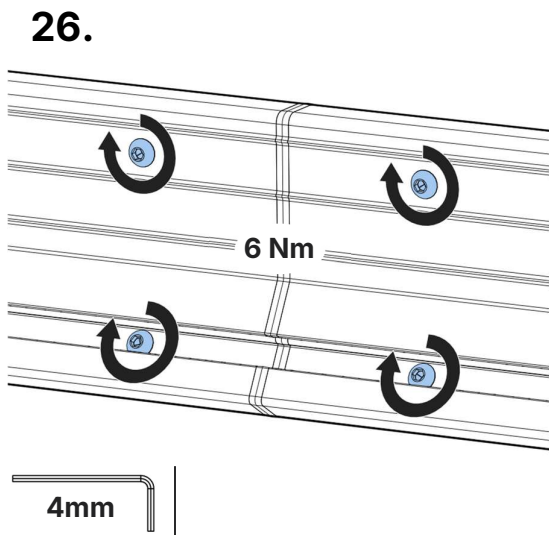
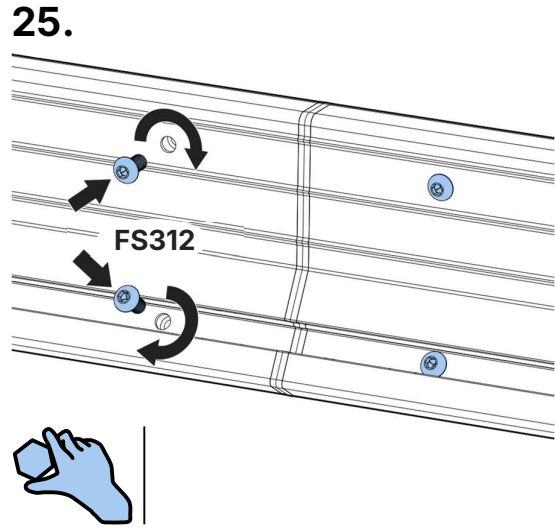
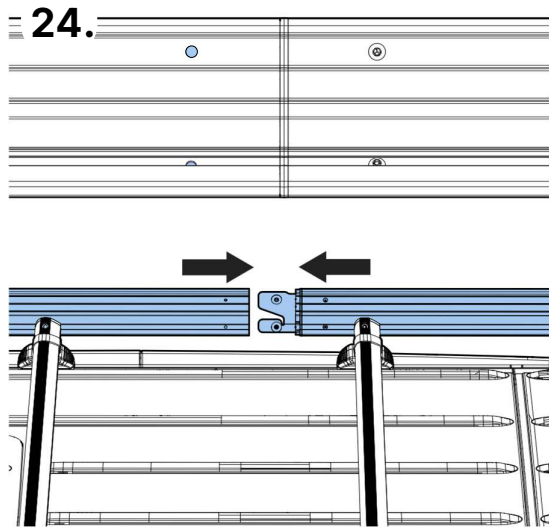


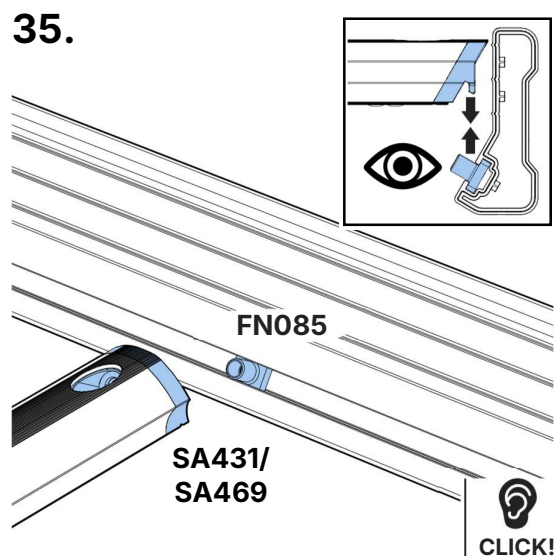
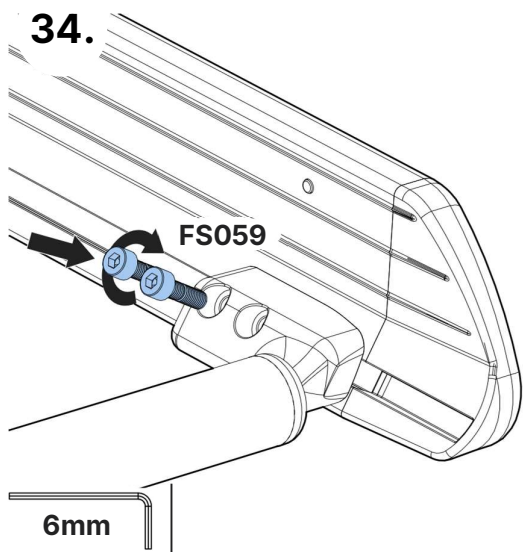
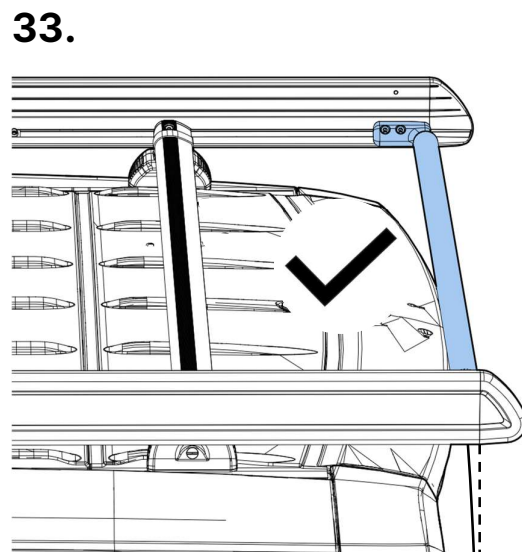
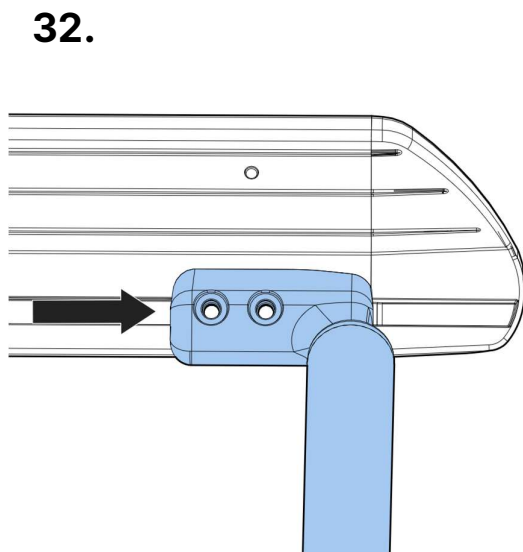
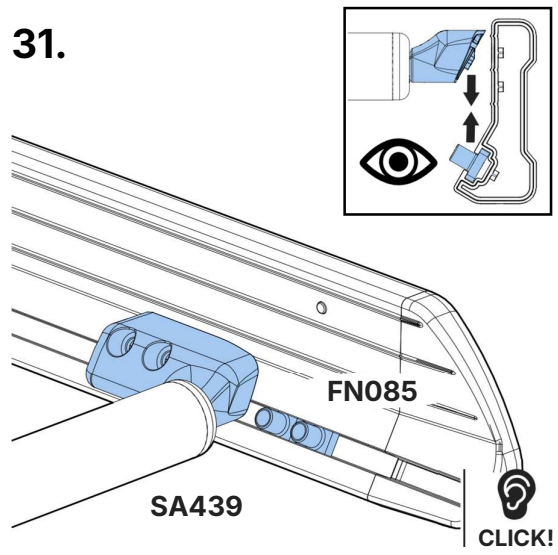
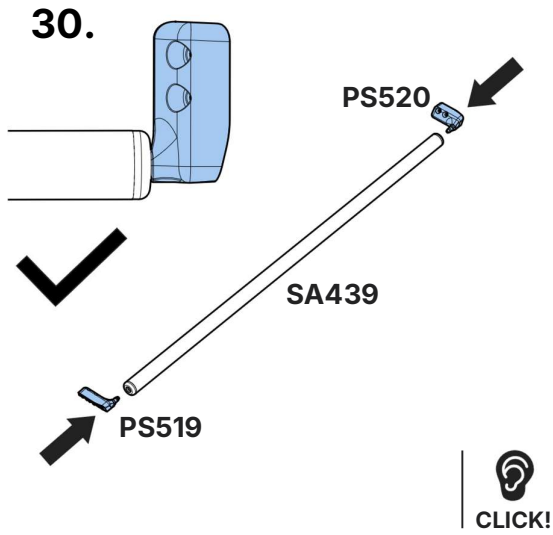
22.



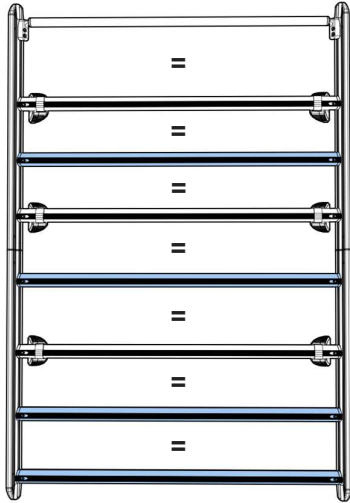
23.



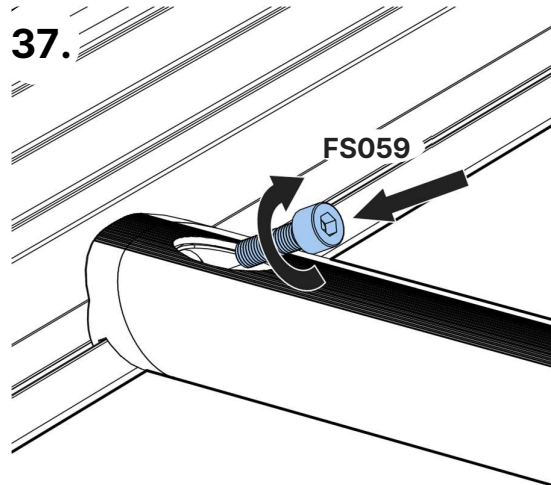




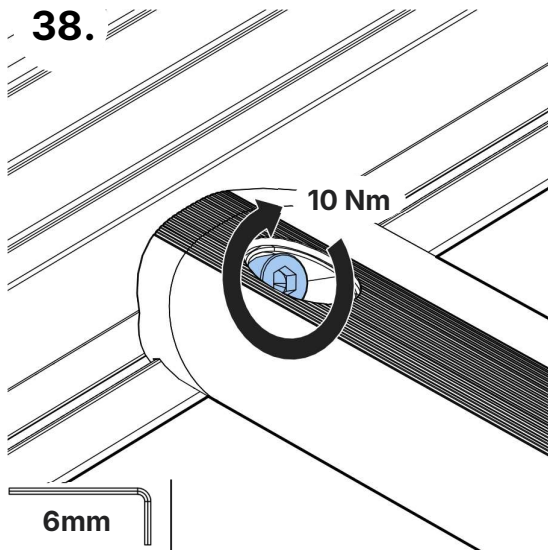
36.



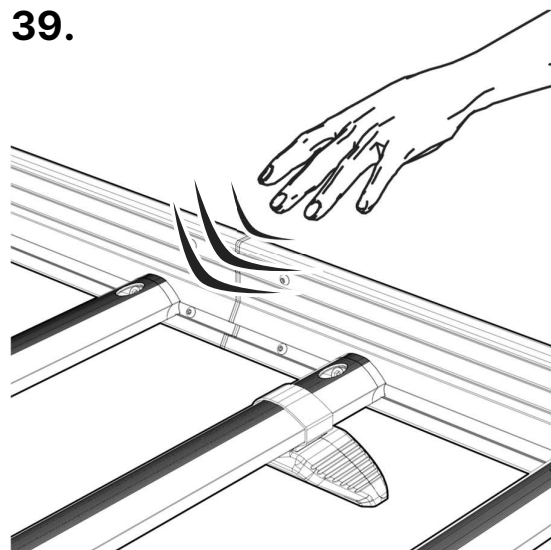
37.



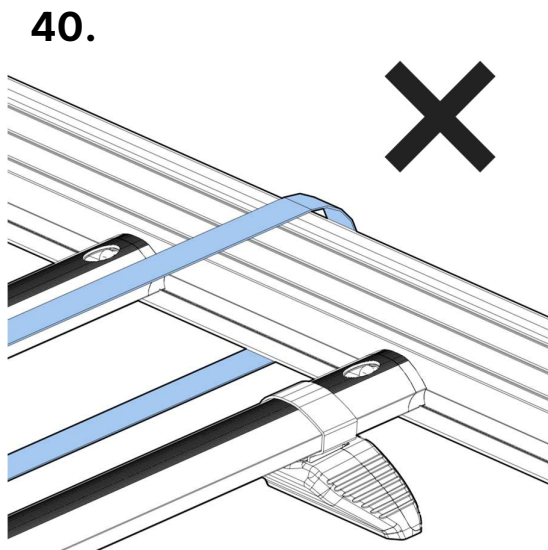
38.



39.



40.



41.

