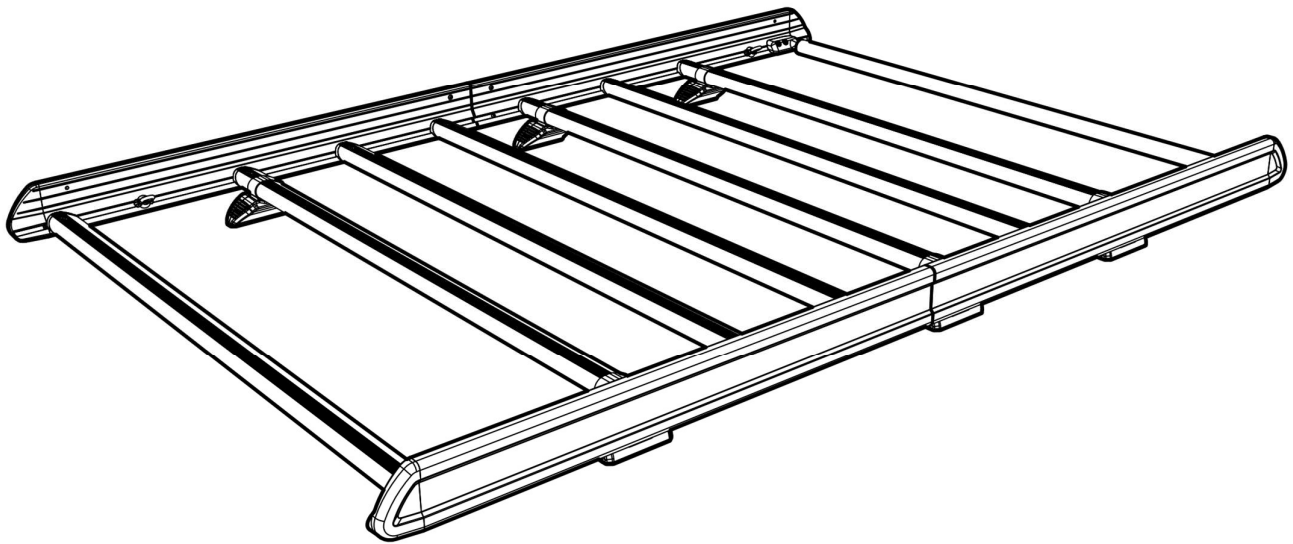


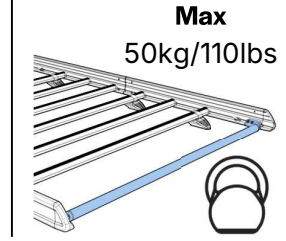
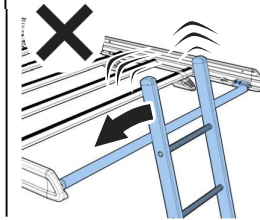
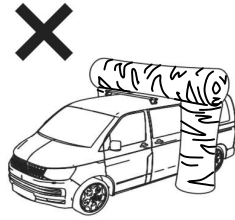
Issue:	Drawn By:	Checked By:	CRF No.:	Date:	Description:
a	SJ	KB	3609	21/10/25	First Issue
b					
c					
d					

IA64KE

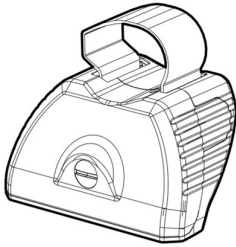
KammEdge.

Instructions

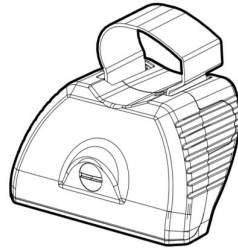




KammEdge.



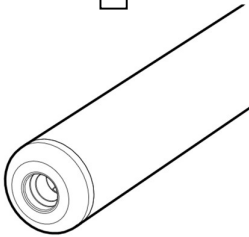
SA397U x 4



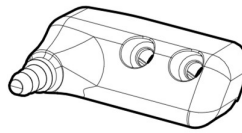
SA398U x 4



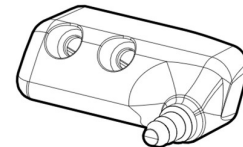
SA430/SA468 x 9



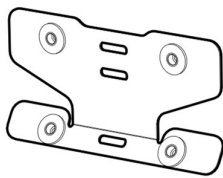
SA439 x 1



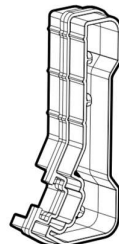
PS519 x 1



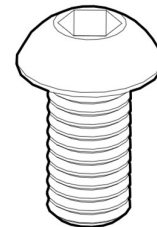
PS520 x 1



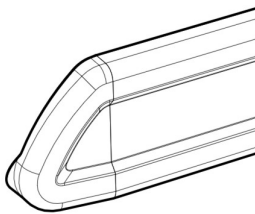
SA610 x 4



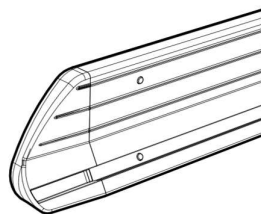
PS635 x 4



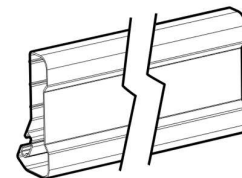
FS323
(M6 x 16) x 16



LSF (L) x 2



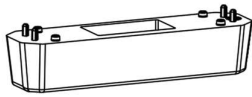
LSF (R) x 2



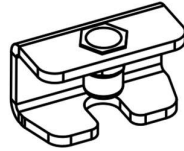
LSF (M) x 2



Fitting Kit



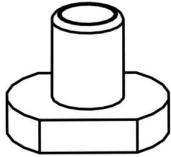
PS180 x 8



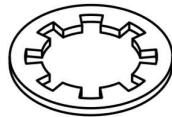
SA068 x 8



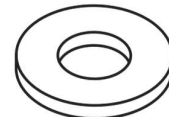
**FS059
(M8 x 25) x 22**



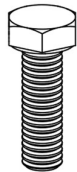
FN085 x 22



FW009 (M8) x 8



FW002 (M8) x 8



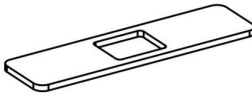
**FS067
(M8 x 20) x 8**



FT05 x 1



FT01 x 1

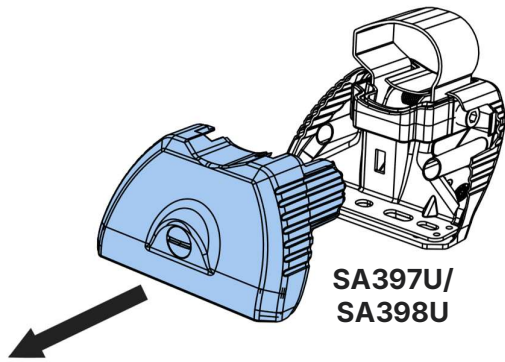


PS047 x 8

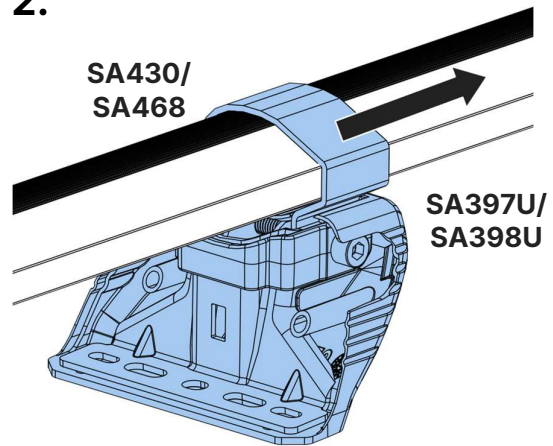


C04 x 8
optional upgrade

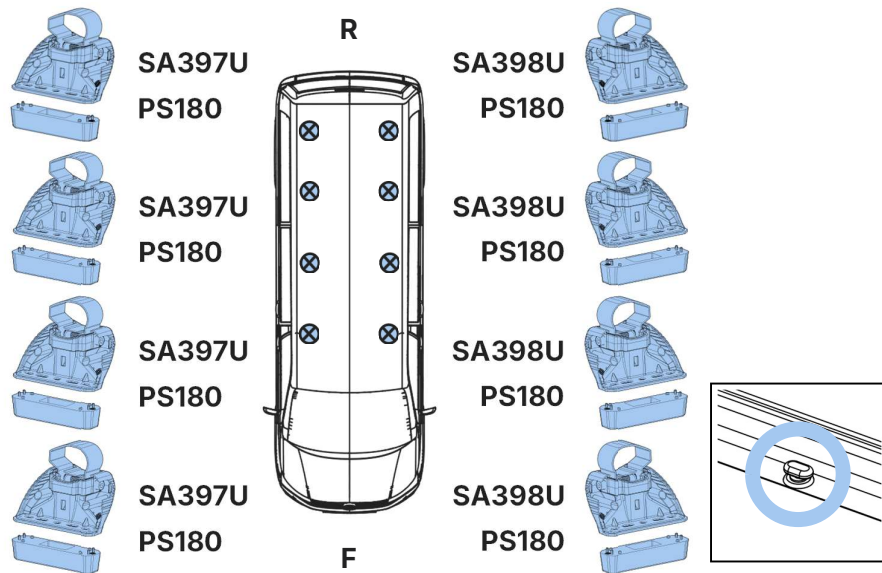
1.



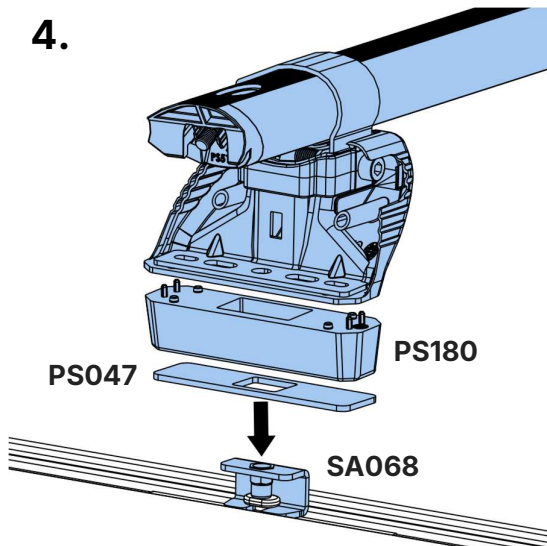
2.



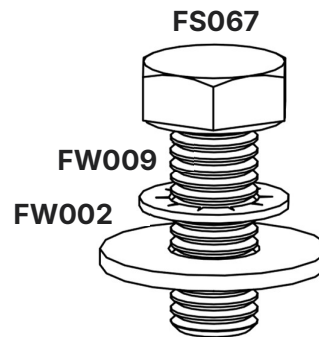
3.

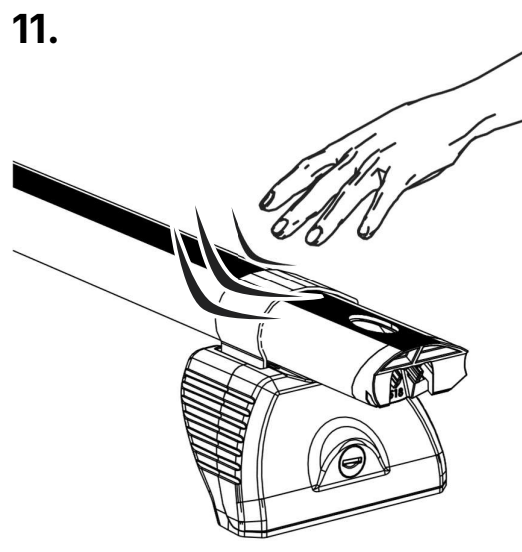
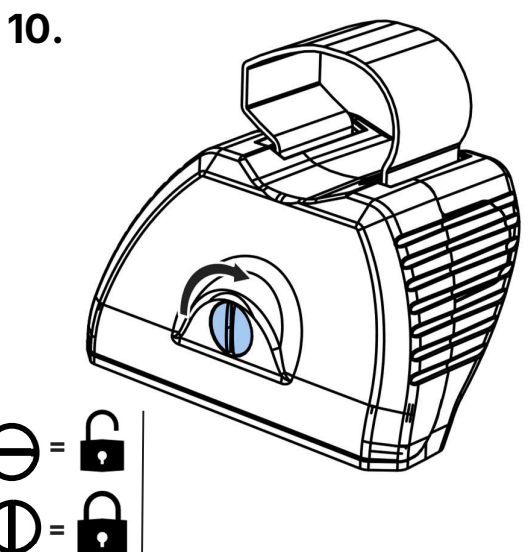
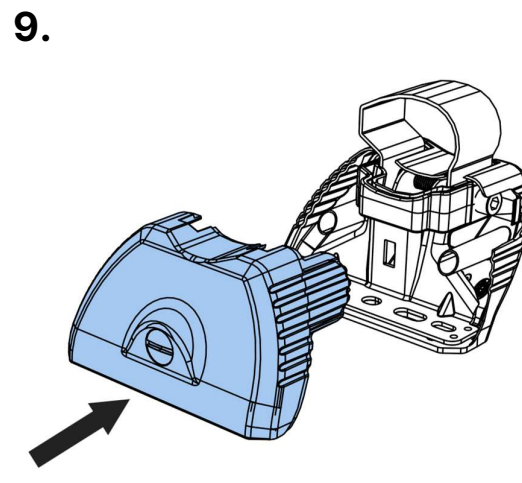
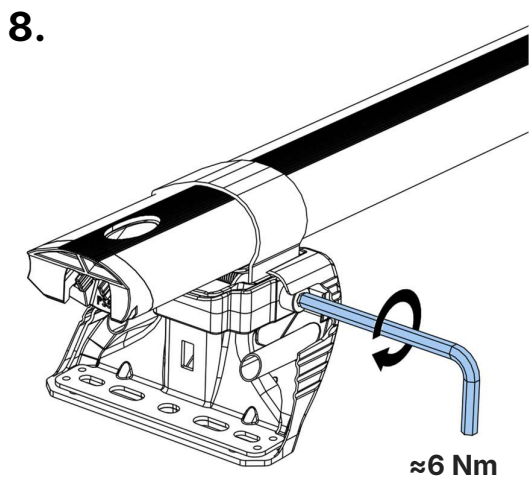
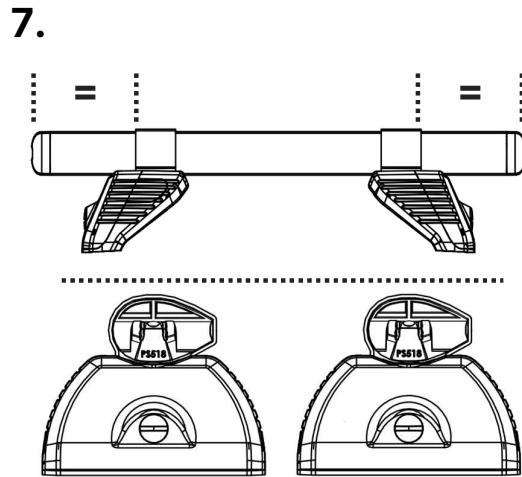
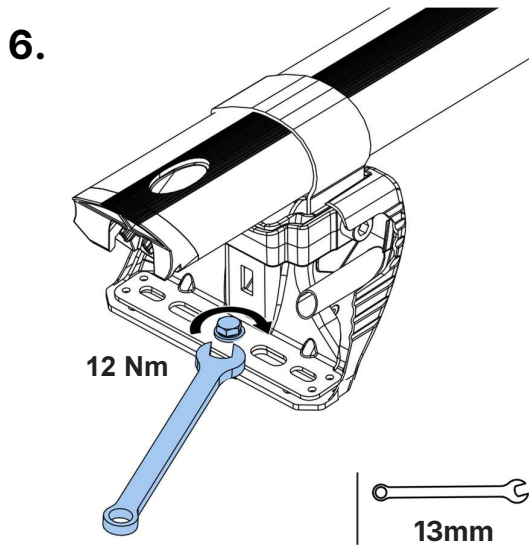


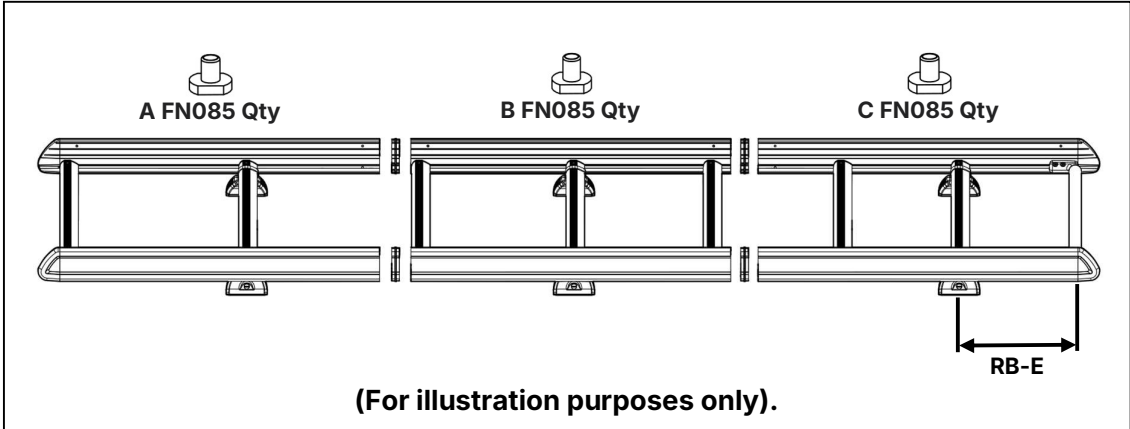
4.


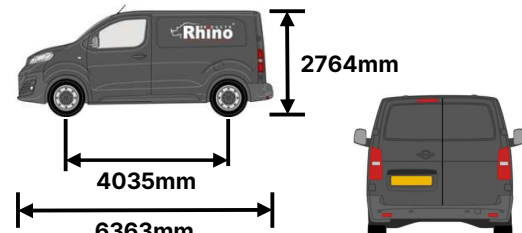


5.

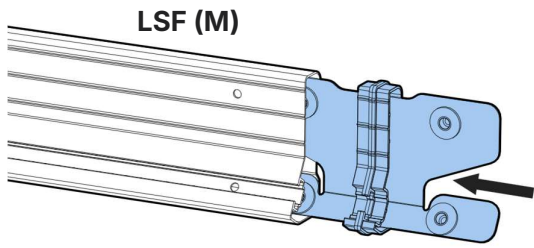




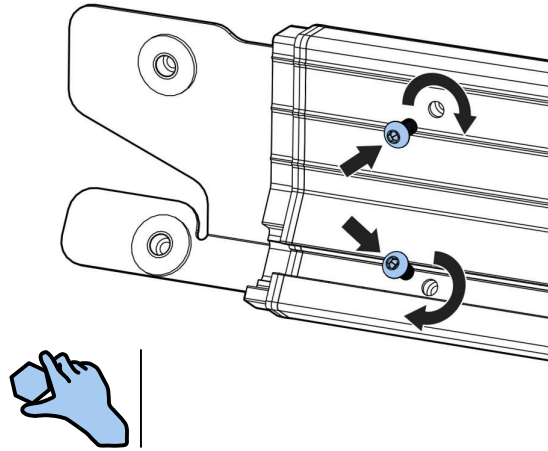


L618/LB618- Jumper/Relay/Boxer/Ducato 2006-, Movano 2020-, L4-H3 (Twin)			
<p>Max Load = 150kg/330lbs</p>  <p>L618/LB618 = 36kg/78lbs</p>			
A FN085 Qty	B FN085 Qty	C FN085 Qty	Rear Bar – End (mm)
4	3	4	450

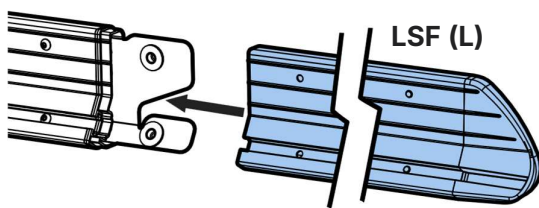
18.



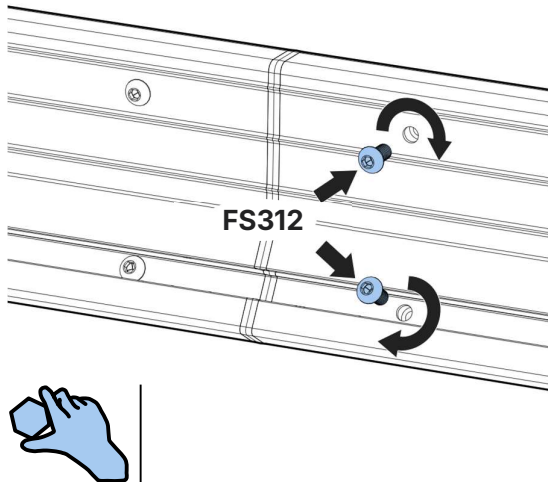
19.



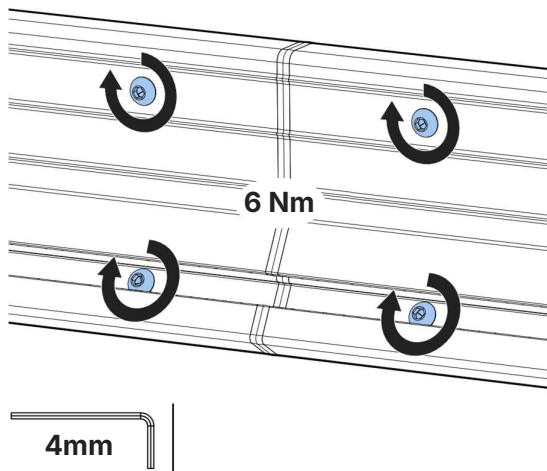
20.



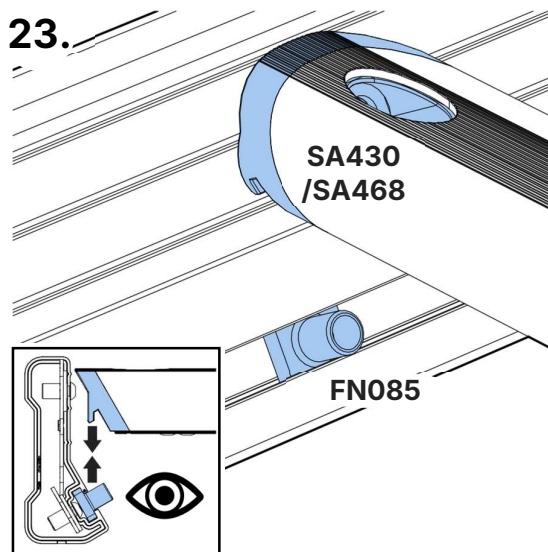
21.

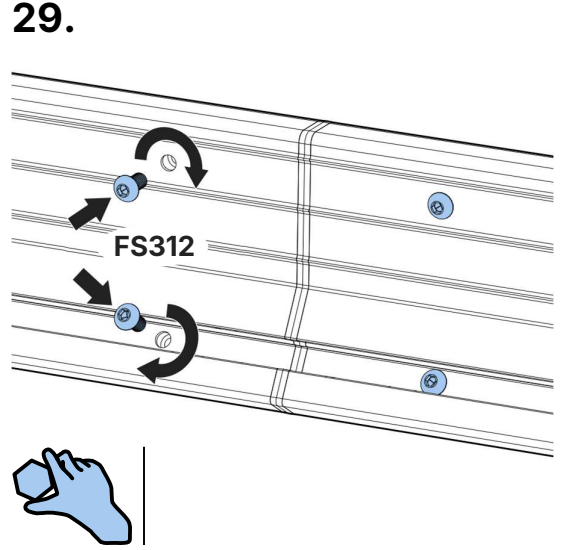
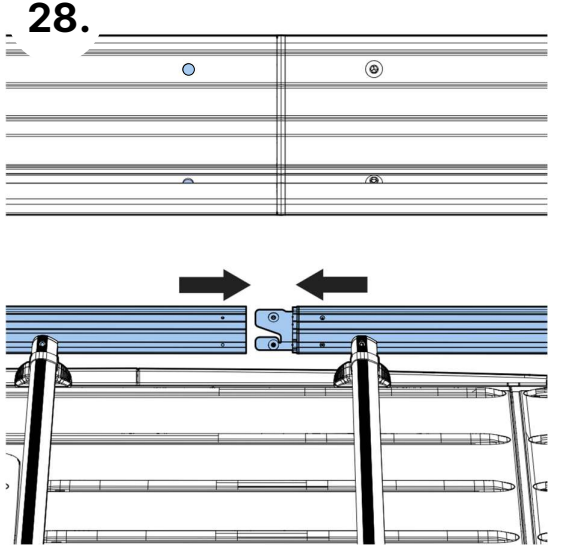
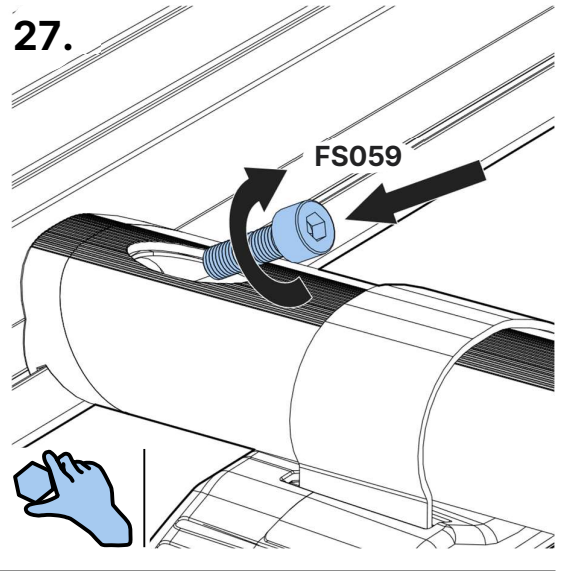
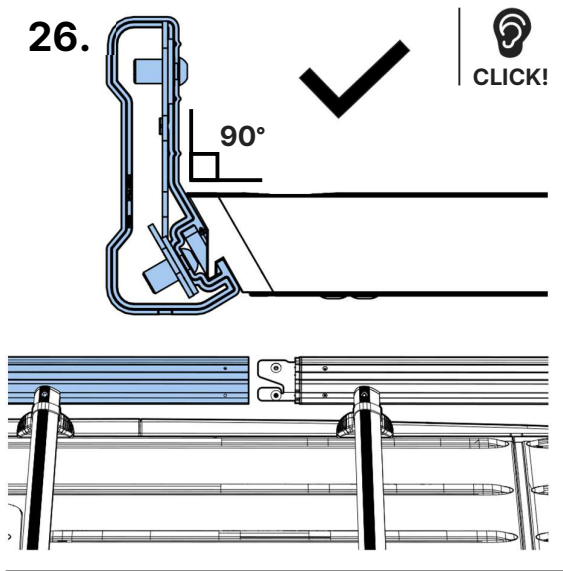
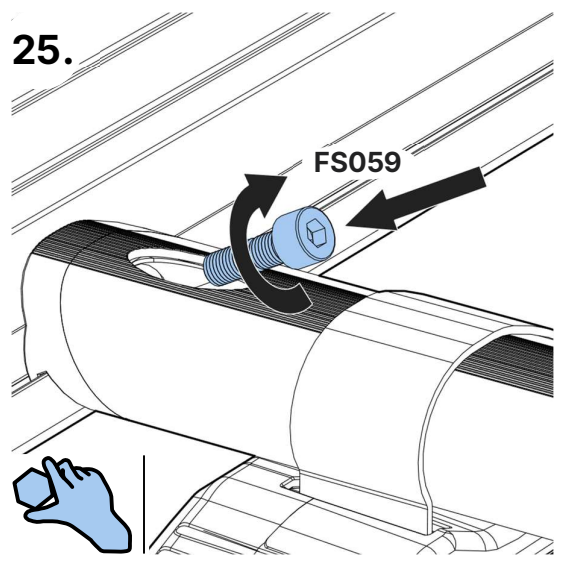
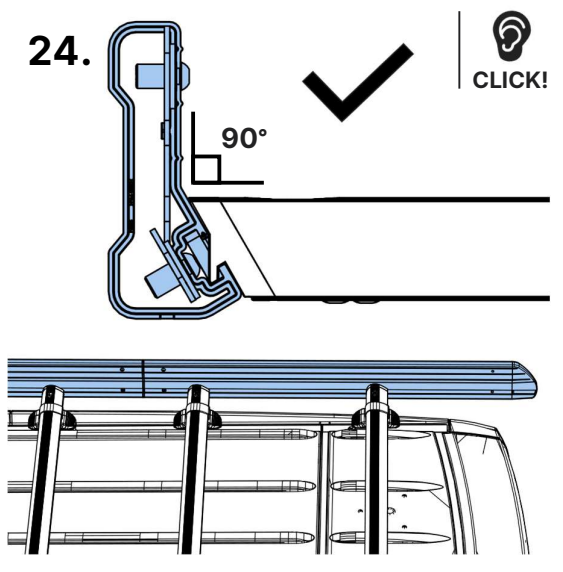


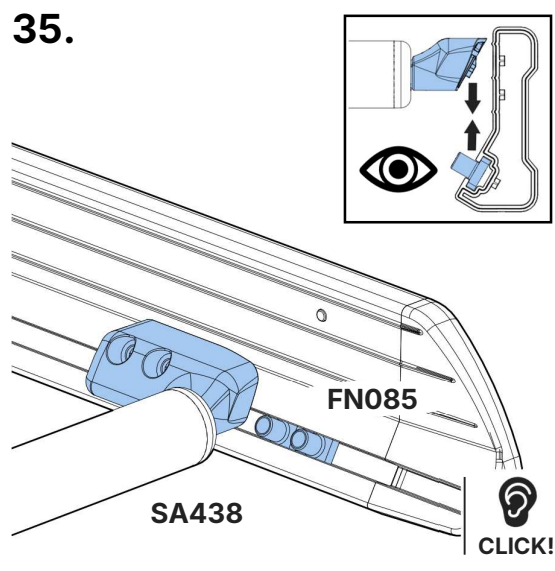
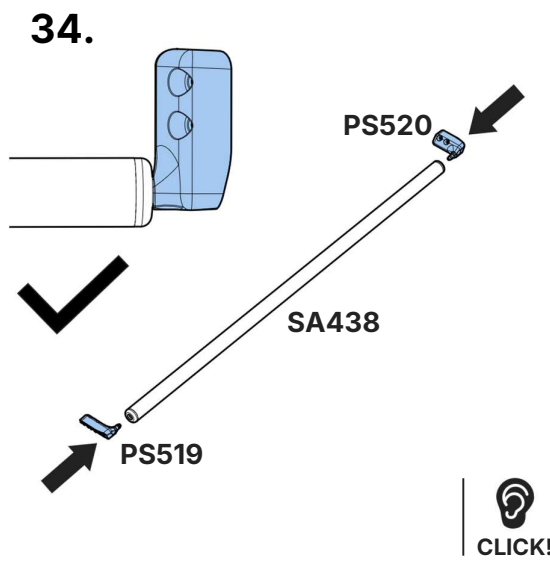
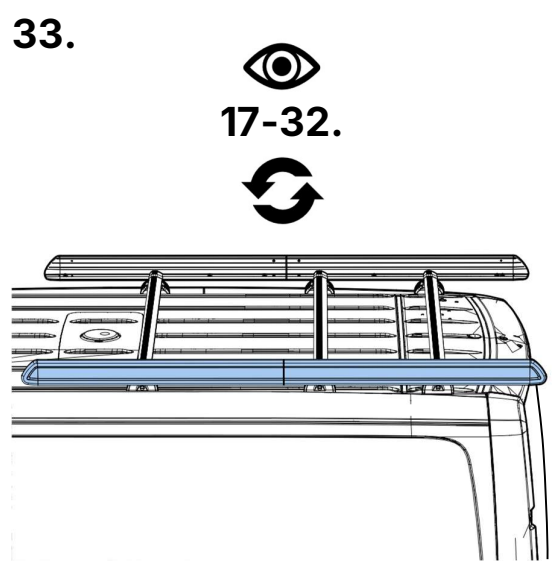
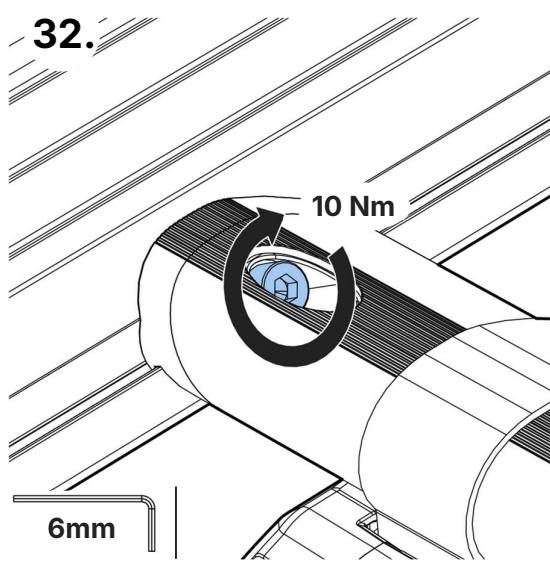
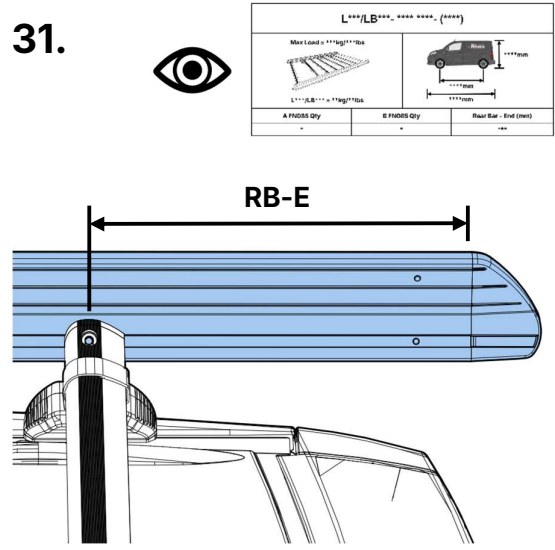
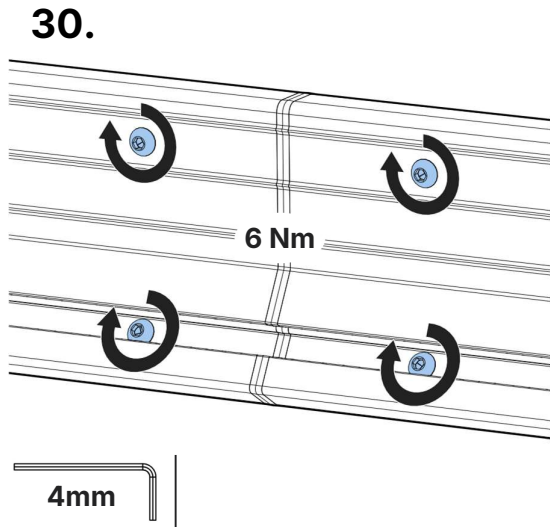
22.



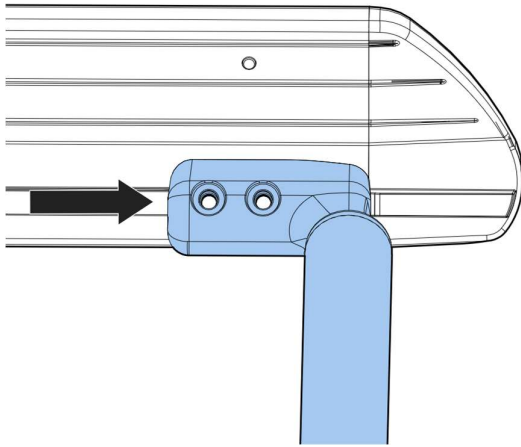
23.



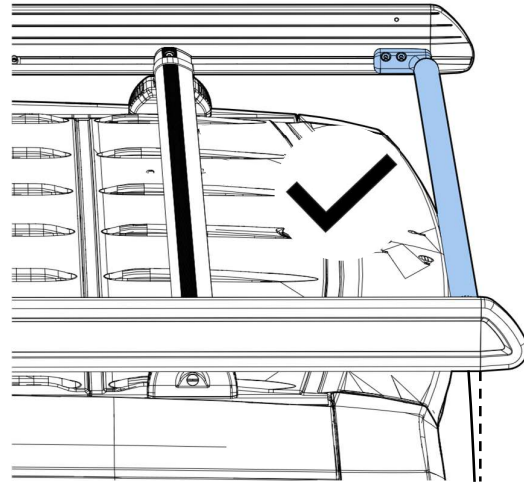




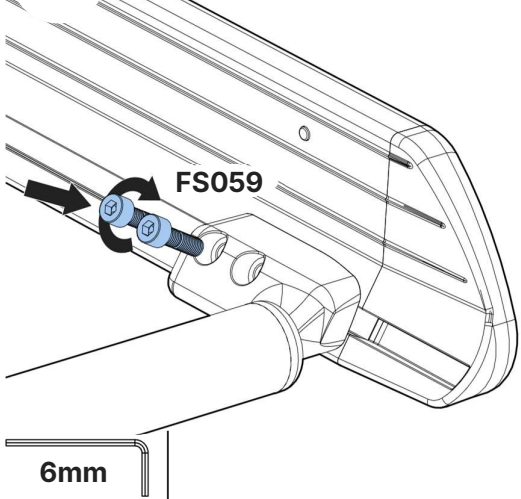
36.



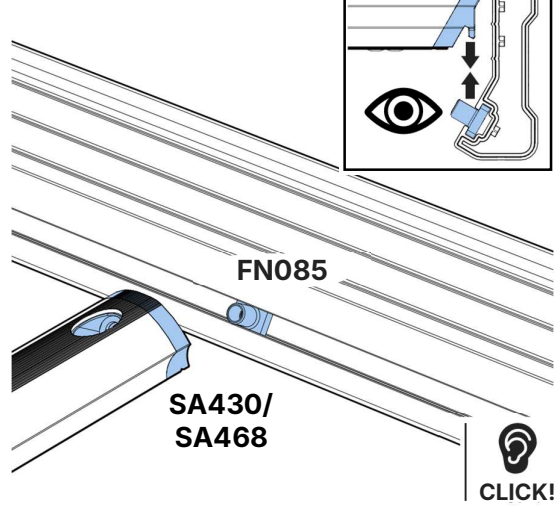
37.



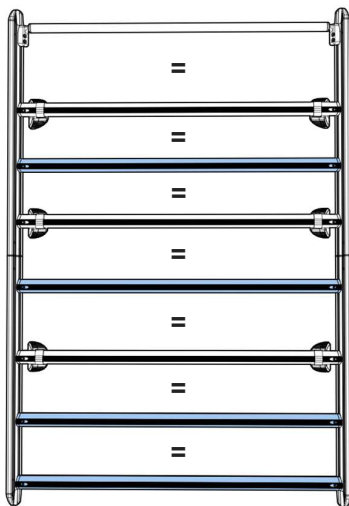
38.



39.



40.



41.

