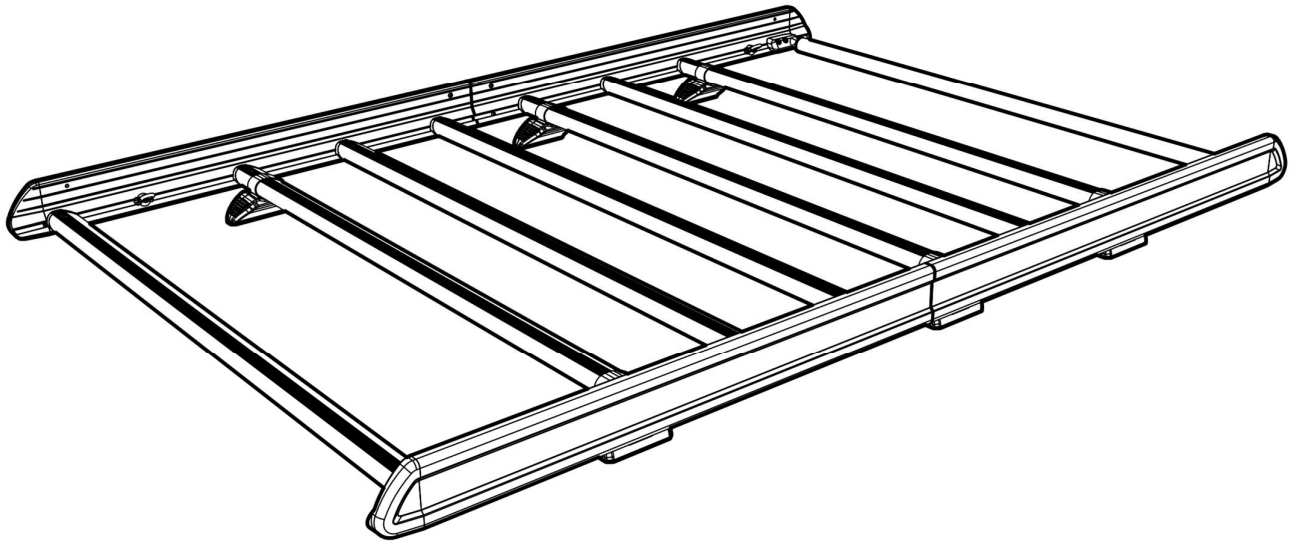


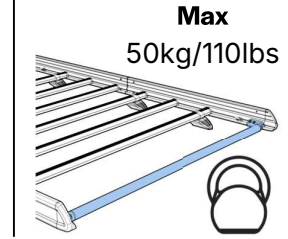
<b>Issue:</b>	<b>Drawn By:</b>	<b>Checked By:</b>	<b>CRF No.:</b>	<b>Date:</b>	<b>Description:</b>
a	SJ	KB	3609	21/10/25	First Issue
b					
c					
d					

# IA74KE

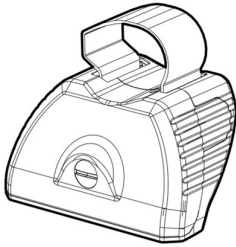
# KammEdge.

## Instructions

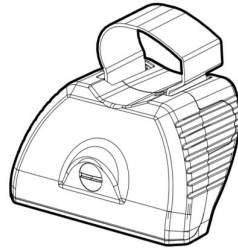




**KammEdge.**



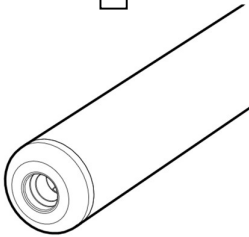
**SA397U x 4**



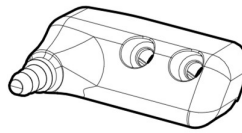
**SA398U x 4**



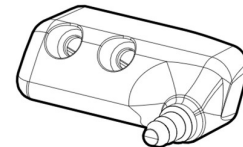
**SA431/SA469 x 9**



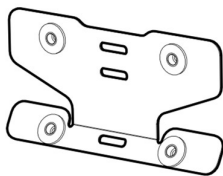
**SA439 x 1**



**PS519 x 1**



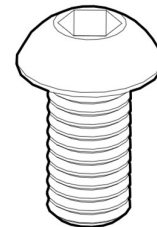
**PS520 x 1**



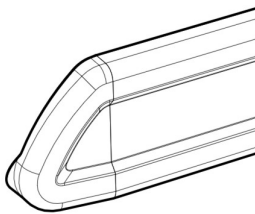
**SA610 x 4**



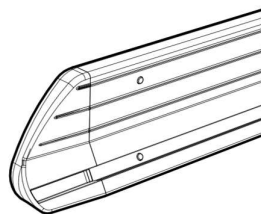
**PS635 x 4**



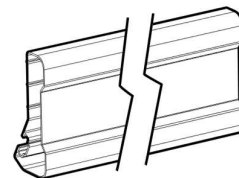
**FS323  
(M6 x 16) x 16**



**LSF (L) x 2**



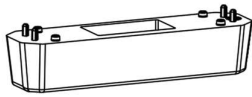
**LSF (R) x 2**



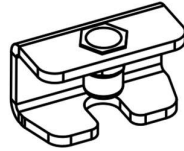
**LSF (M) x 2**



# Fitting Kit



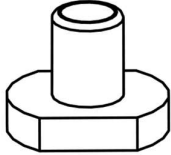
**PS180 x 8**



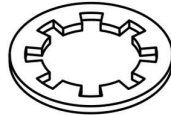
**SA068 x 8**



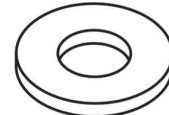
**FS059  
(M8 x 25) x 22**



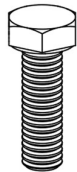
**FN085 x 22**



**FW009 (M8) x 8**



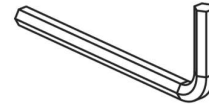
**FW002 (M8) x 8**



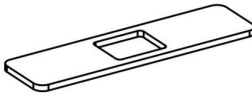
**FS067  
(M8 x 20) x 8**



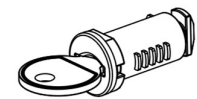
**FT05 x 1**



**FT01 x 1**

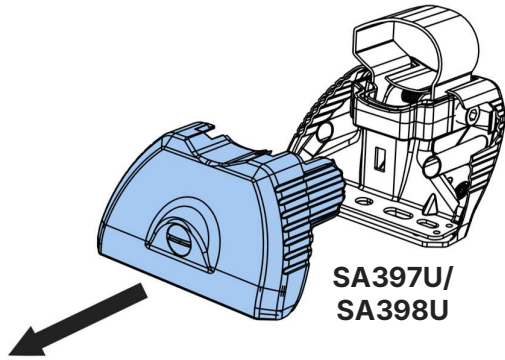


**PS047 x 8**

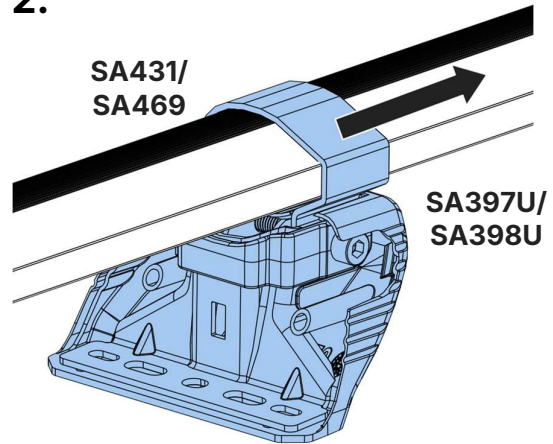


**C04 x 8**  
\*optional upgrade\*

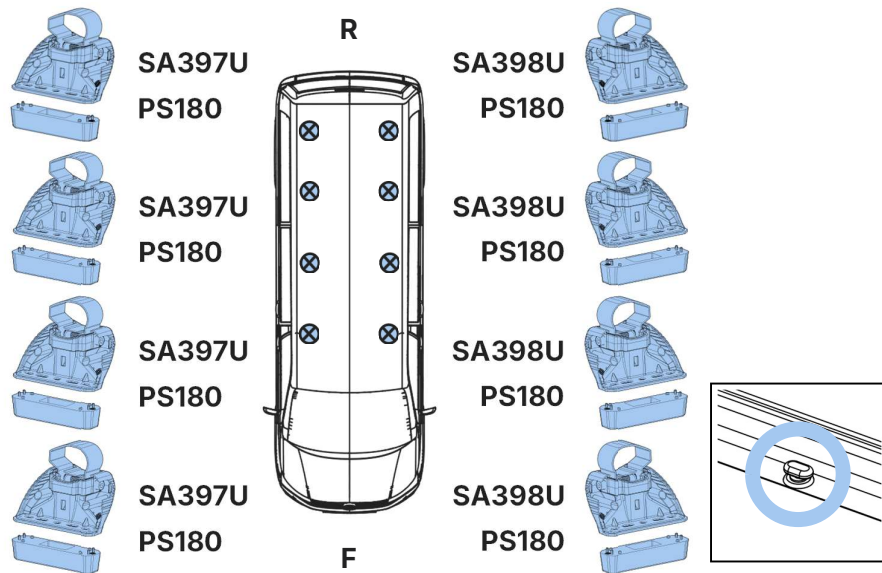
1.



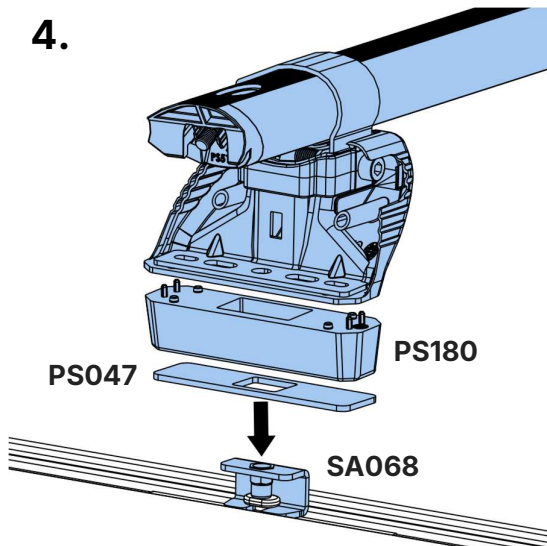
2.



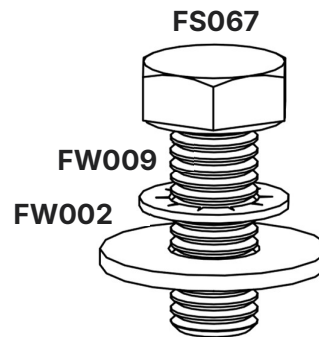
3.

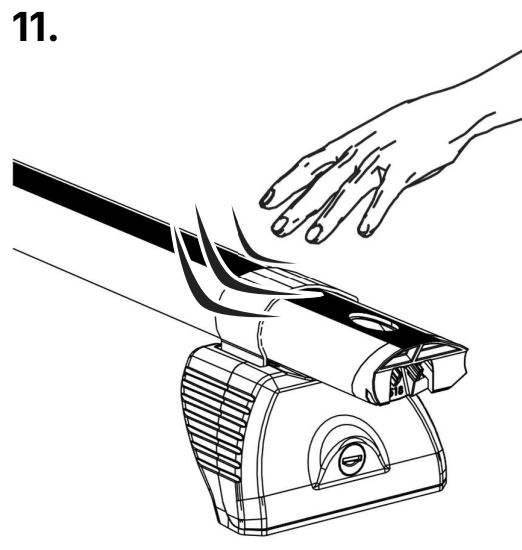
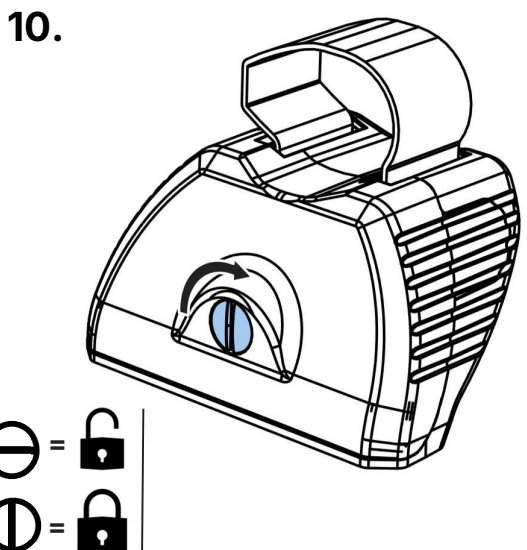
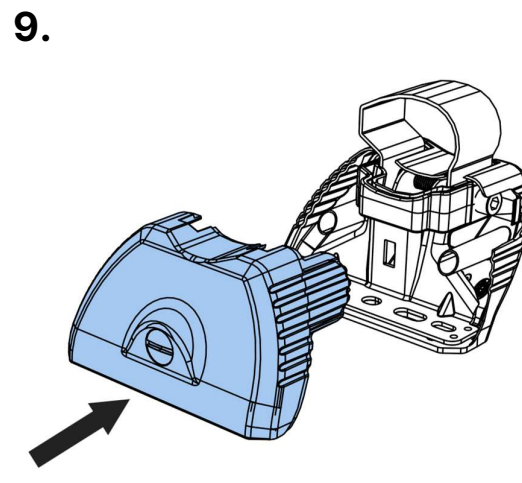
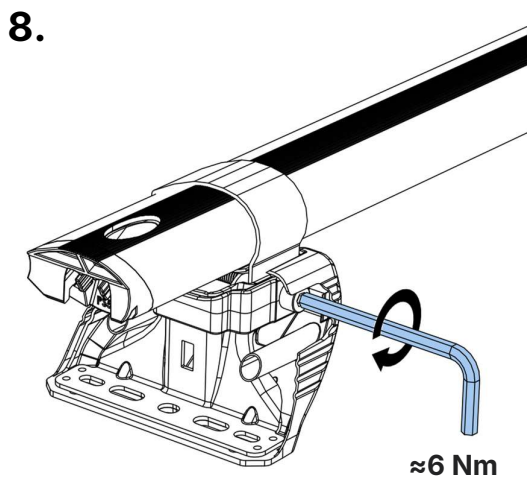
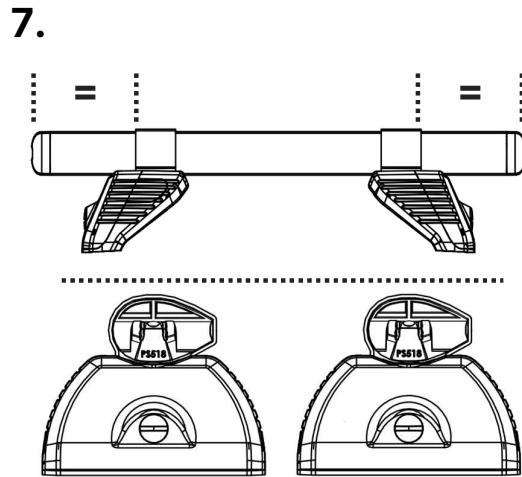
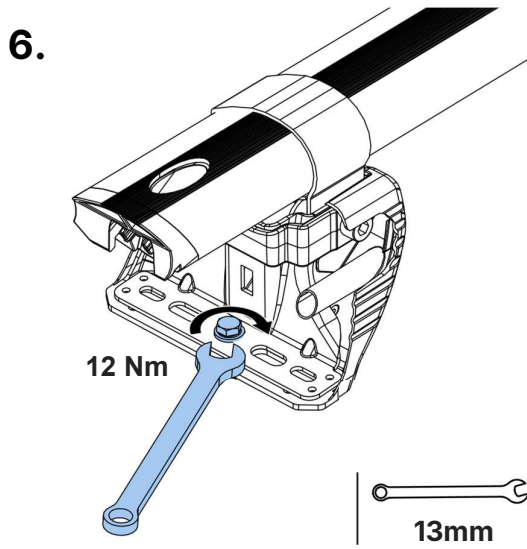


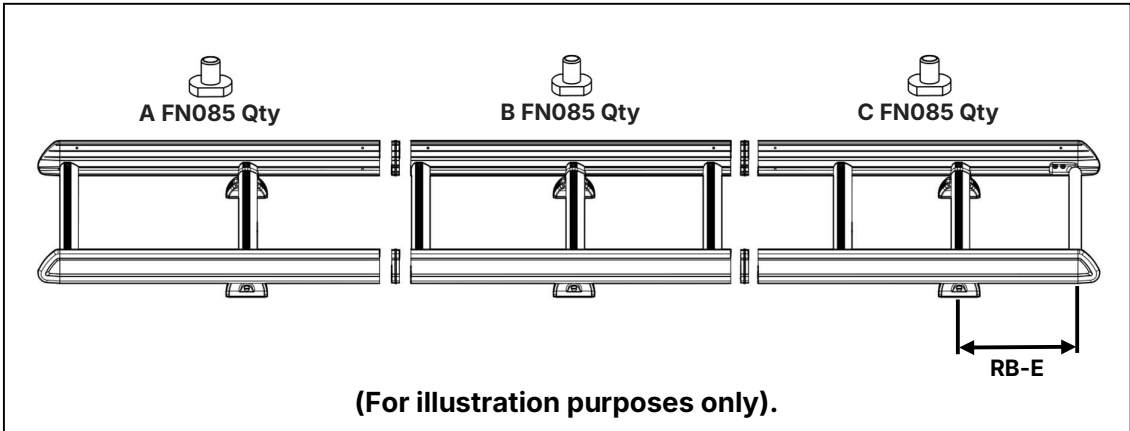
4.


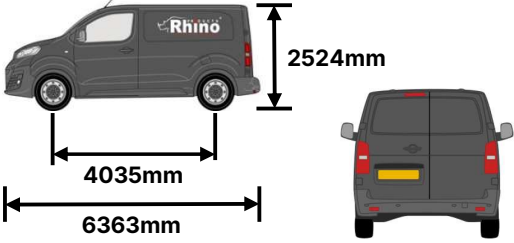



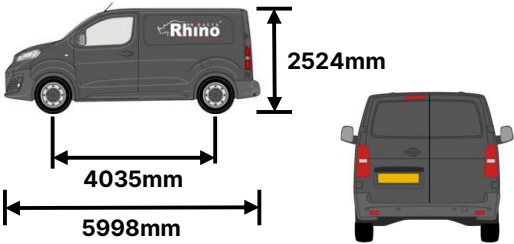
5.





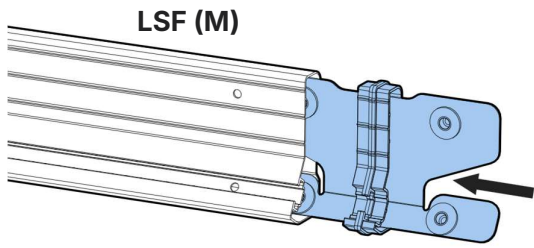


<b>L587/LB587- Jumper/Relay/Boxer/Ducato 2006-, Movano 2020-, L4-H2 (Twin)</b>			
Max Load = 150kg/330lbs  L587/LB587 = 35kg/76lbs			
A FN085 Qty	B FN085 Qty	C FN085 Qty	Rear Bar – End (mm)
4	3	4	385

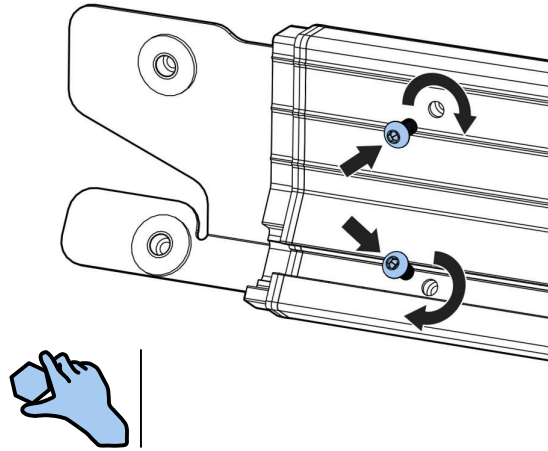
<b>L548/LB548- Jumper/Relay/Boxer/Ducato 2006-, Movano 2020-, L3-H2 (Twin)</b>			
Max Load = 150kg/330lbs  L548/LB548 = 37kg/81lbs			
A FN085 Qty	B FN085 Qty	C FN085 Qty	Rear Bar – End (mm)
4	3	4	360



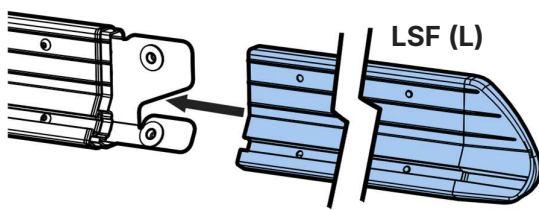
18.



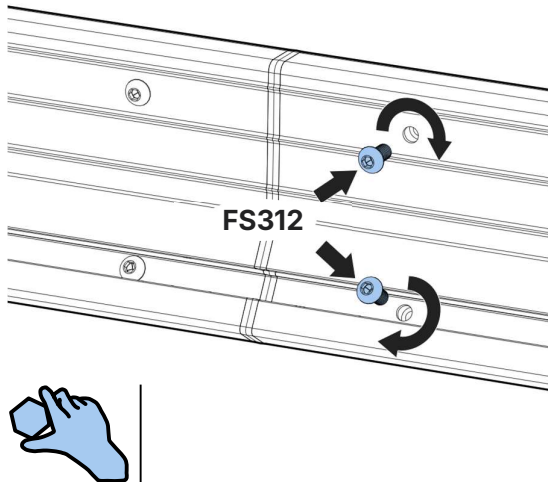
19.



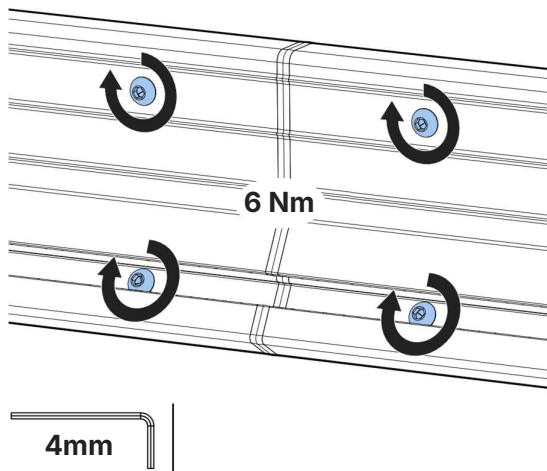
20.



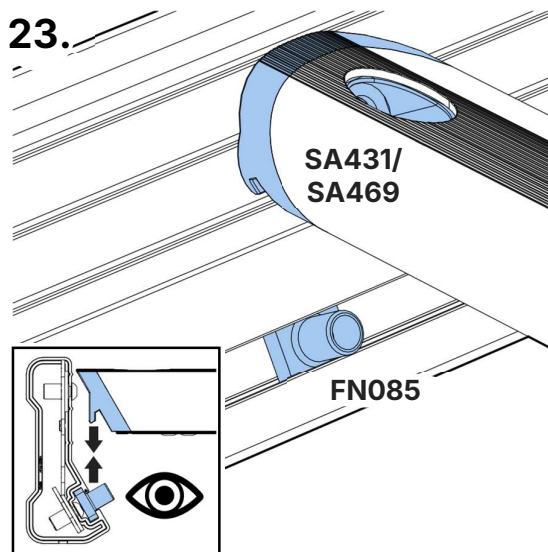
21.

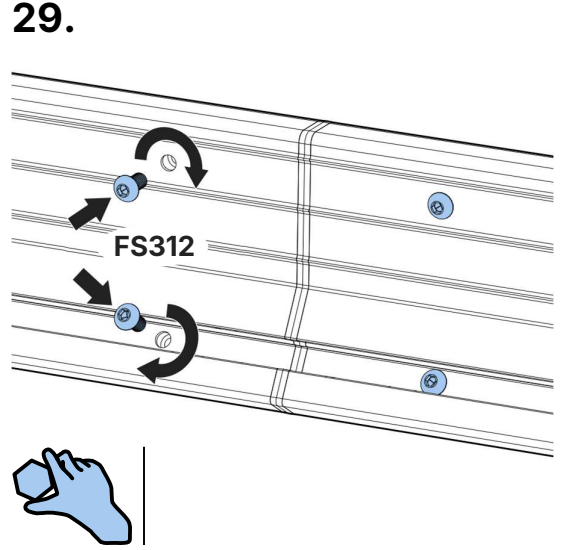
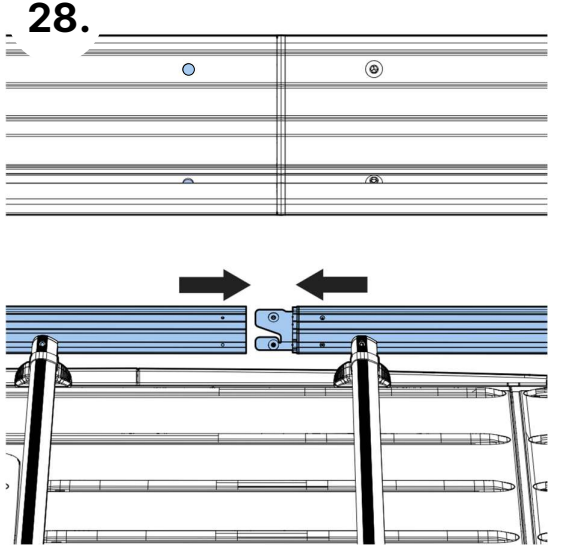
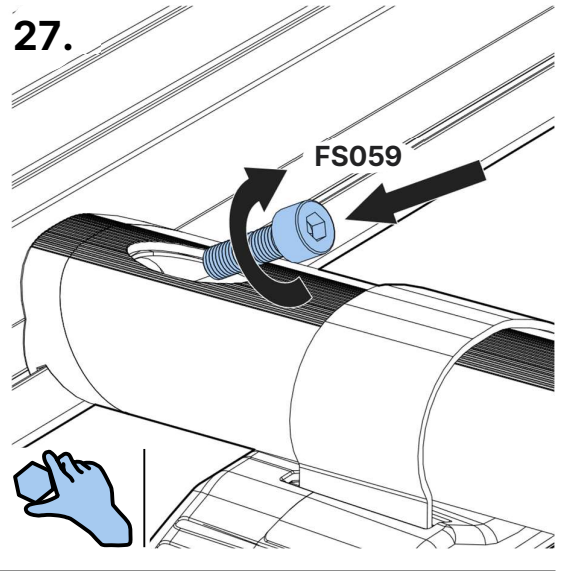
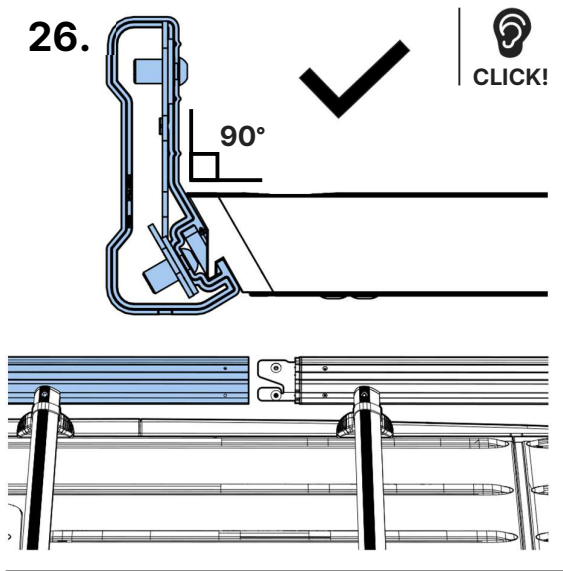
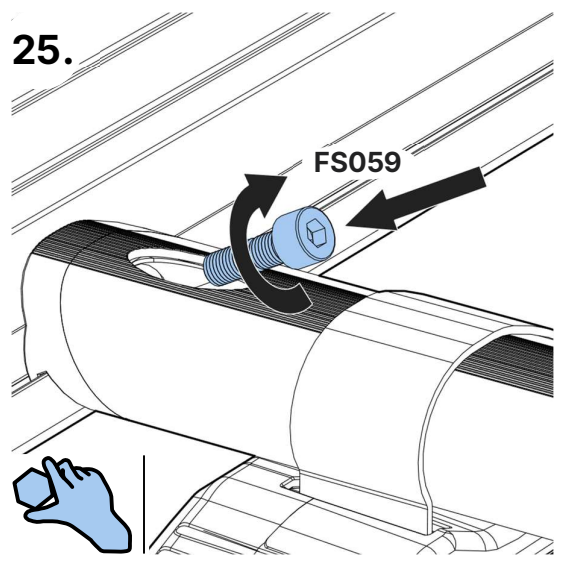
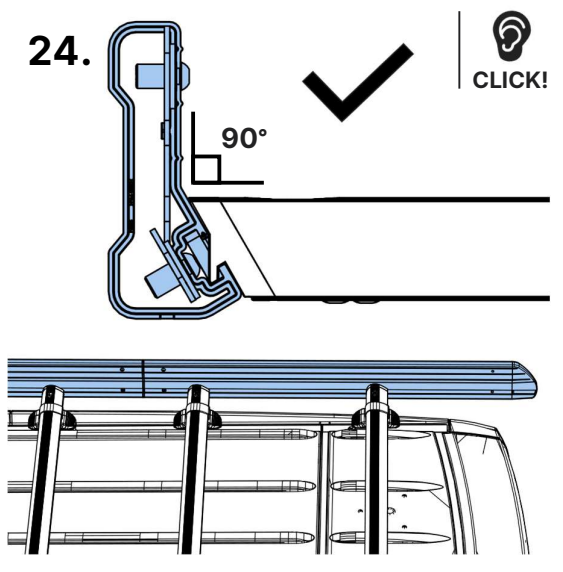


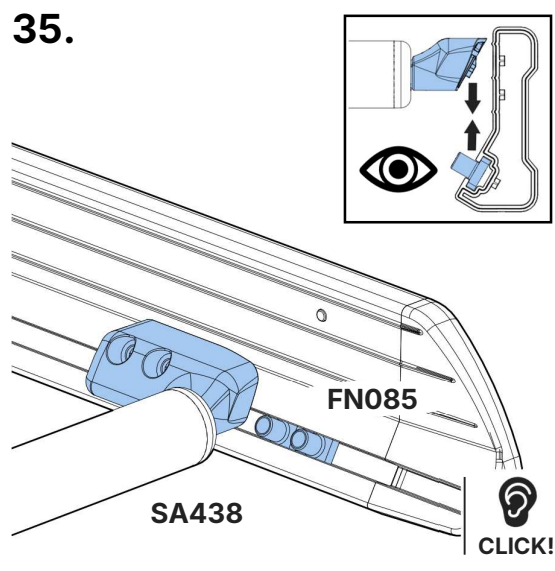
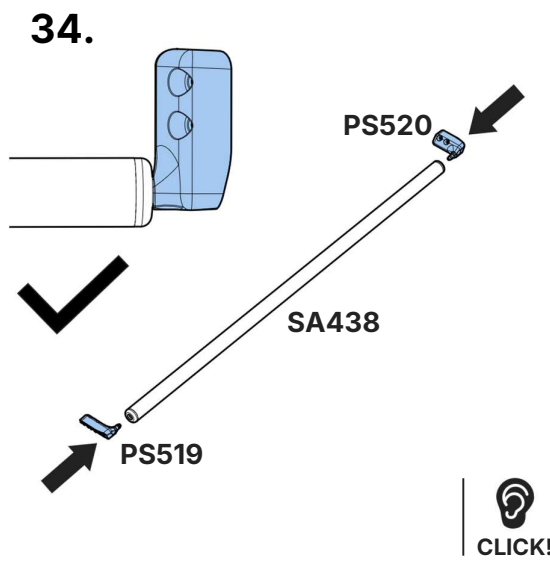
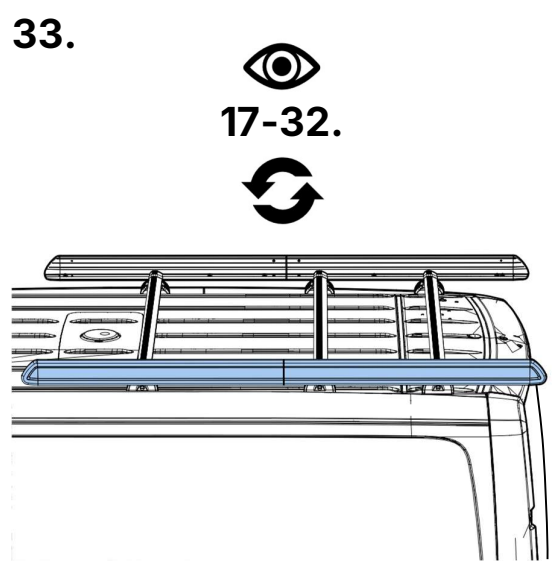
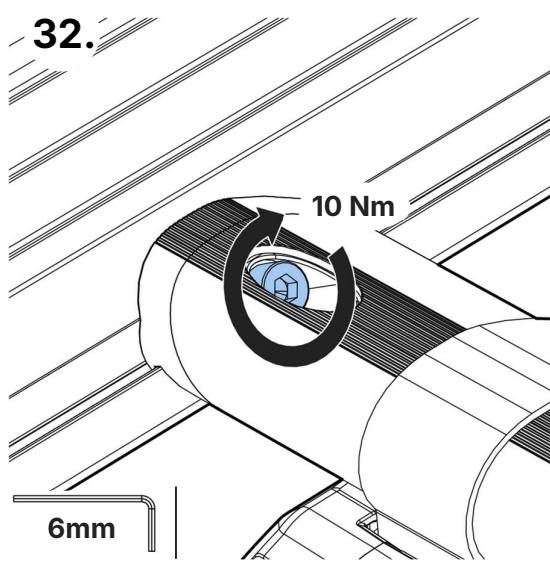
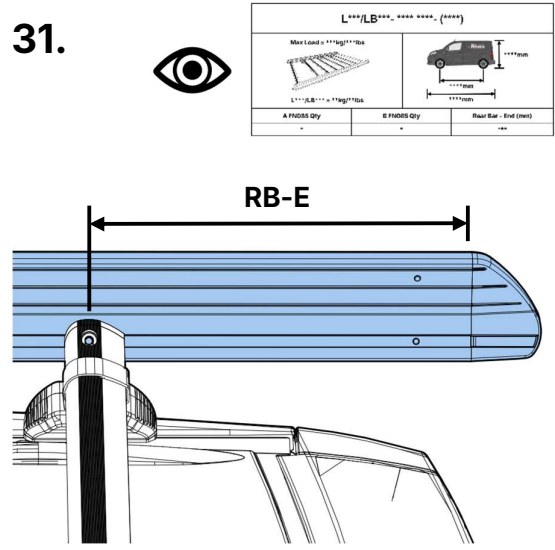
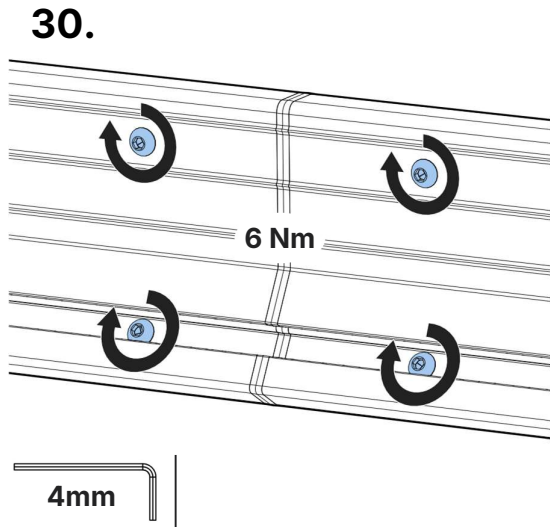
22.



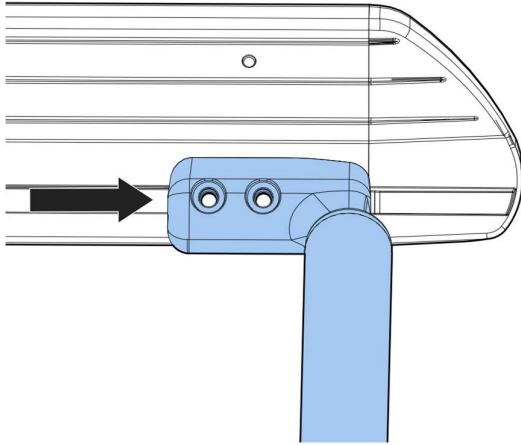
23.



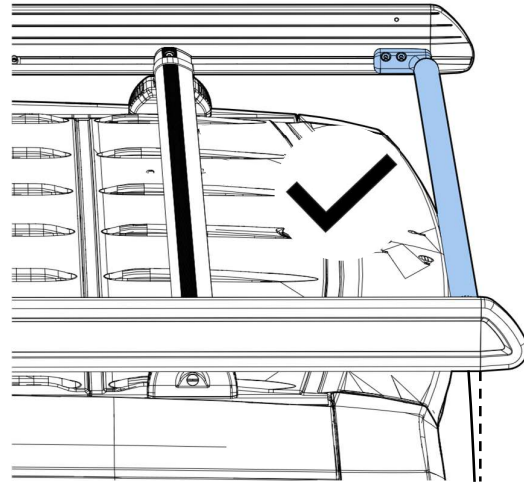




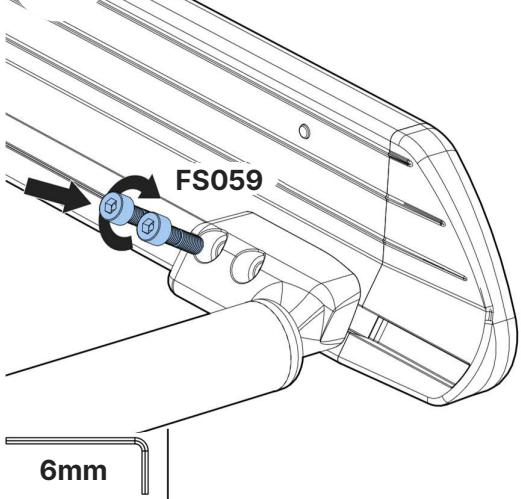
36.



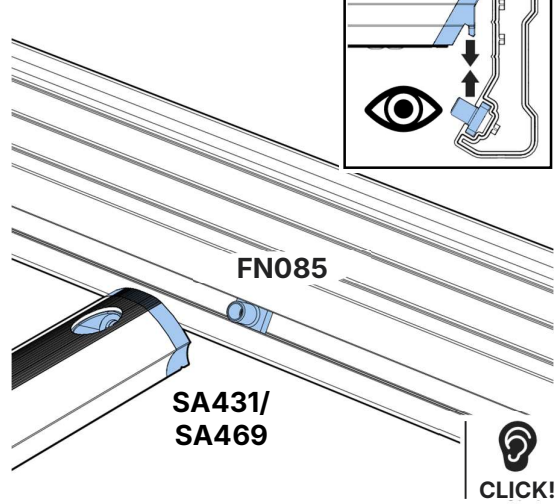
37.



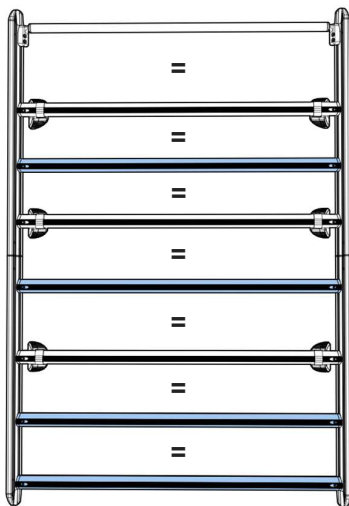
38.



39.



40.



41.

