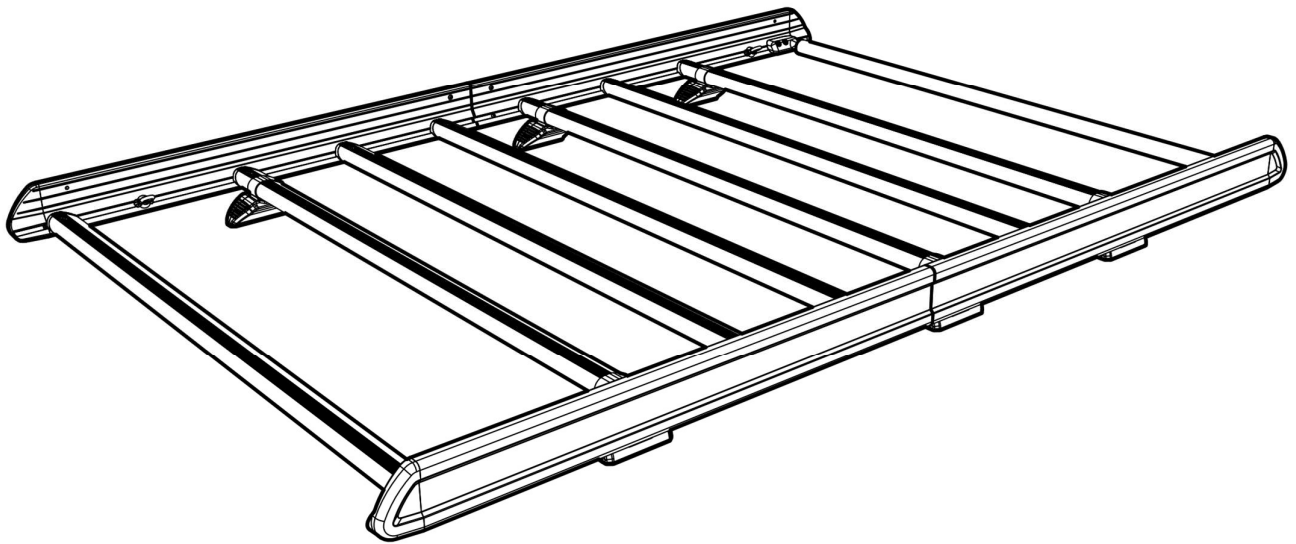


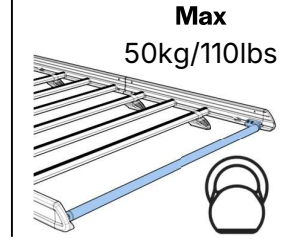
Issue:	Drawn By:	Checked By:	CRF No.:	Date:	Description:
a	SJ	KB	3609	21/10/25	First Issue
b					
c					
d					

JA3KE

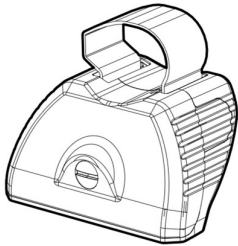
KammEdge.

Instructions

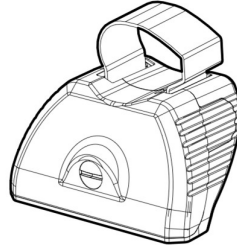




KammEdge.



SA397U x 3



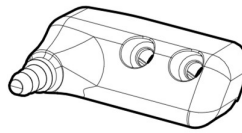
SA398U x 3



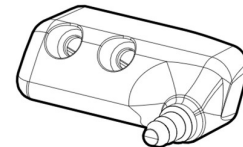
SA429/SA467 x 7



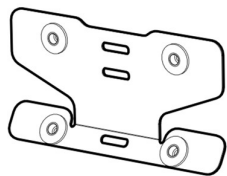
SA437 x 1



PS519 x 1



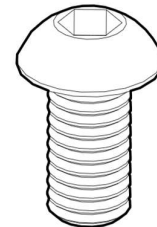
PS520 x 1



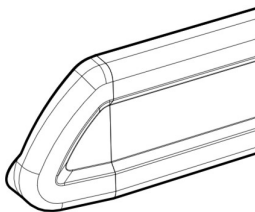
SA610 x 2



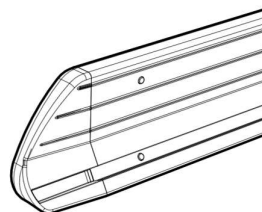
PS635 x 2



**FS323
(M6 x 16) x 8**



LSF (L) x 2



LSF (R) x 2

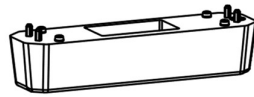


C04 x 6
optional upgrade

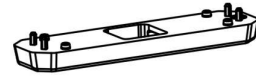
Fitting Kit



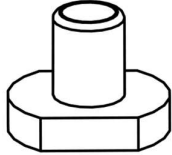
FN020 (M6) x 6



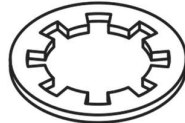
PS180 x 4



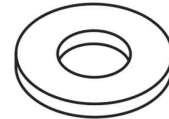
PS179 x 2



FN085 x 18



FW008 (M6) x 6



FW001 (M6) x 6



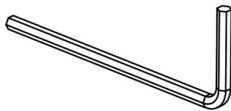
**FS040
(M6 x 35) x 4**



TP153 x 4



TP154 x 2



FT05 x 1



**FS001
(M6 x 20) x 2**



**FS059
(M8 x 25) x 18**



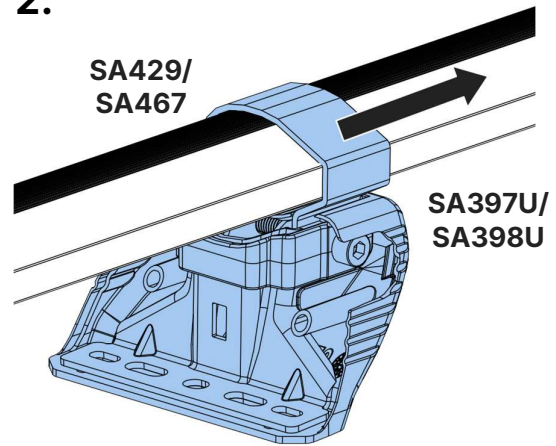
FT01 x 1



1.



2.



3.



SA397U
PS180

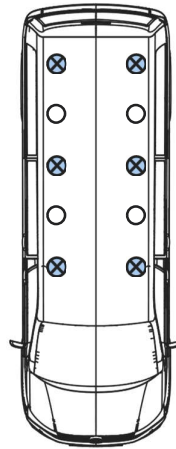


SA397U
PS179



SA397U
PS180

R



F

SA398U
PS180



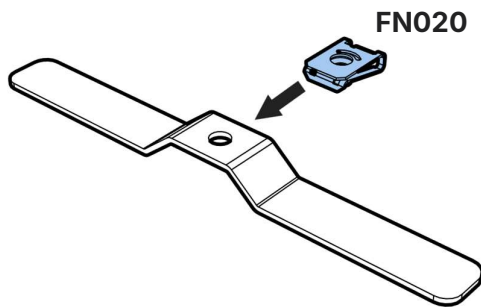
SA398U
PS179



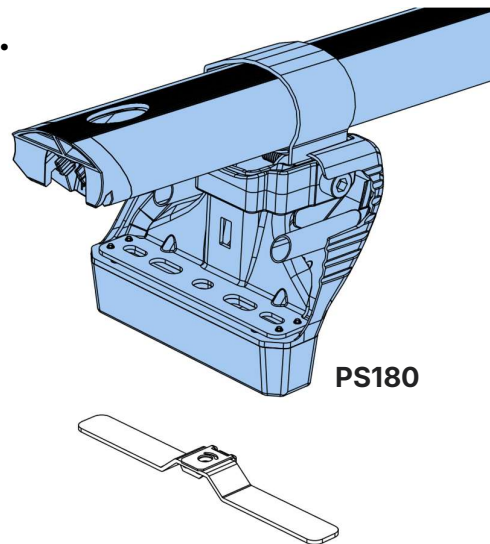
SA398U
PS180

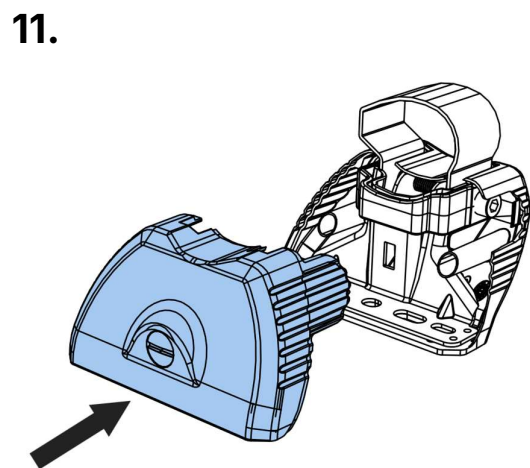
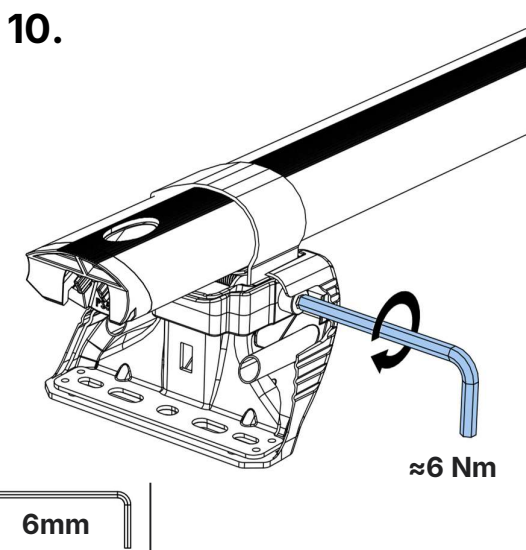
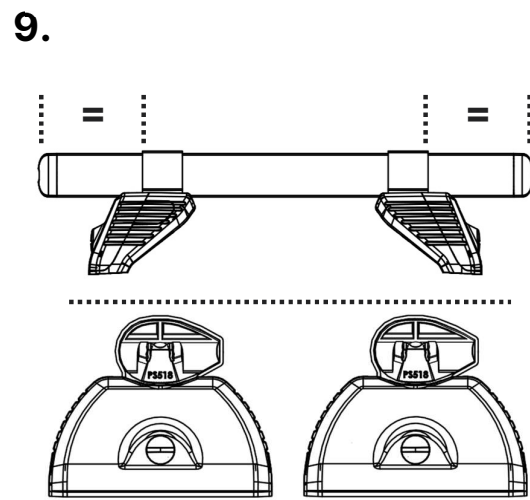
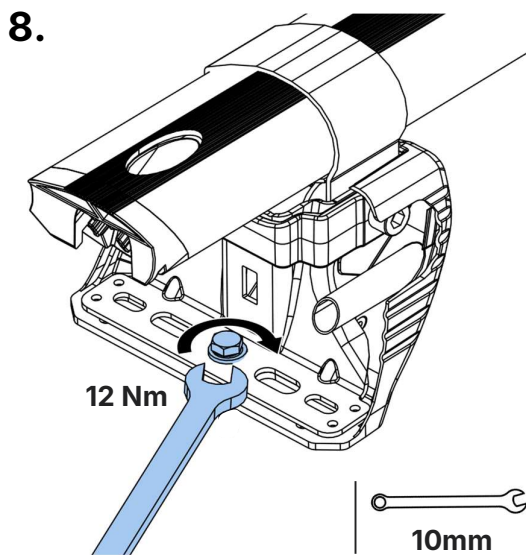
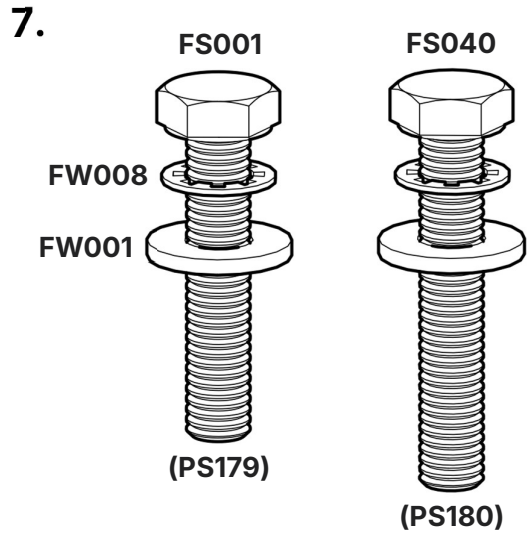
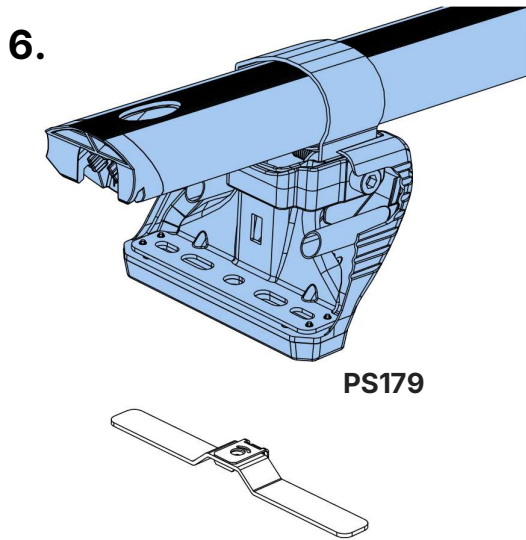


4.

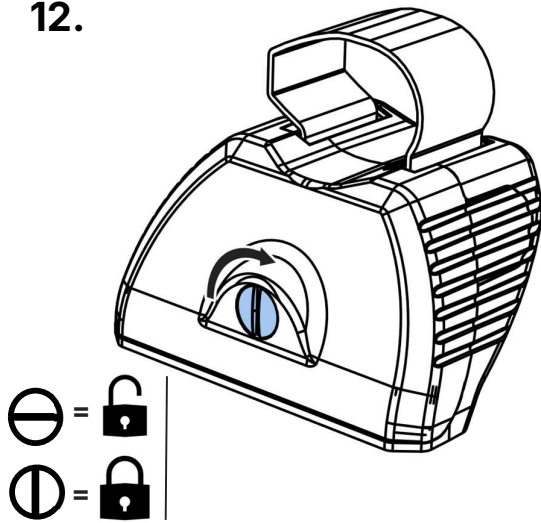


5.

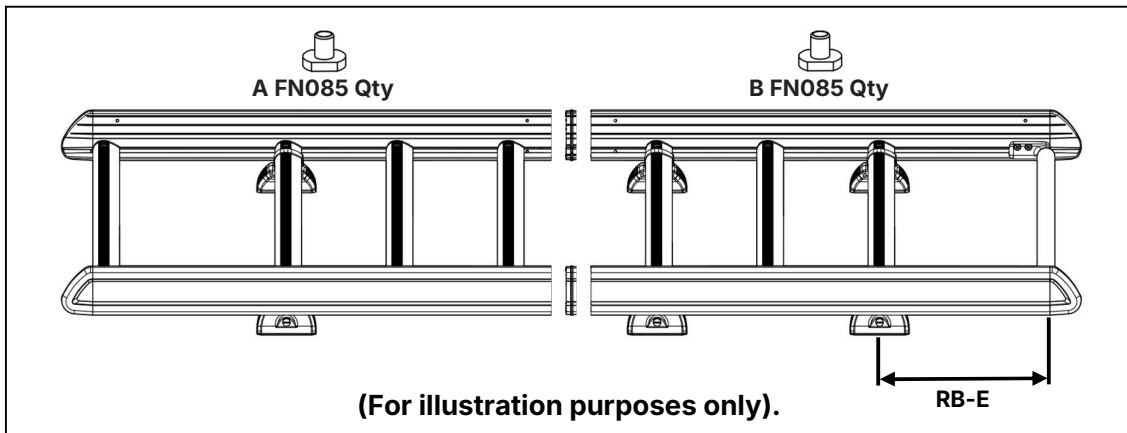
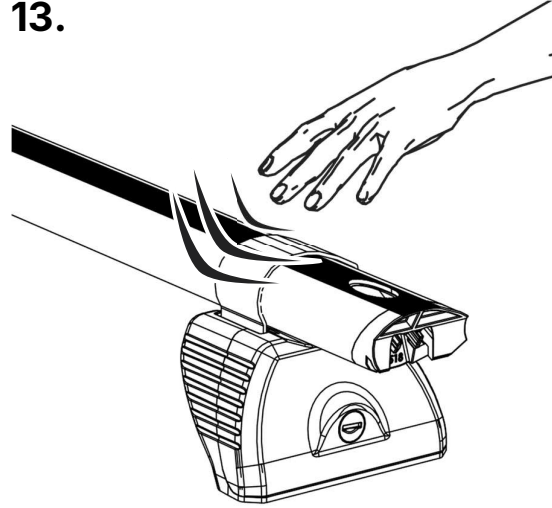




12.



13.

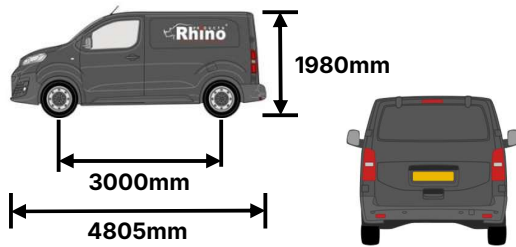


L552/LB552- Jumpy/Dispatch/Proace/Expert 2008-2016, L1-H1 (Tailgate)

Max Load = 150kg/330lbs



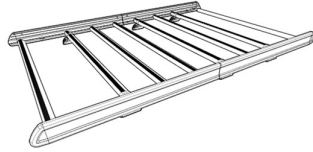
L552/LB552 = 28kg/61lbs



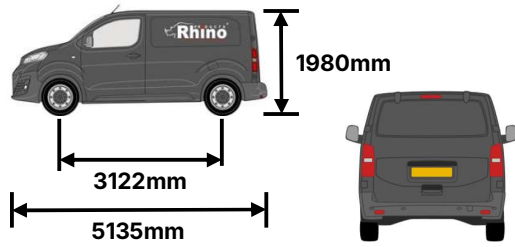
A FN085 Qty	B FN085 Qty	Rear Bar – End (mm)
4	5	255

**L551/LB551- Jumpy/Dispatch/Proace/Expert 2008-2016,
L2-H1 (Tailgate)**

Max Load = 150kg/330lbs



L551/LB551 = 26kg/58lbs



A FN085 Qty

B FN085 Qty

Rear Bar – End (mm)

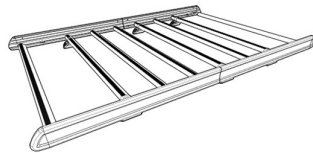
4

5

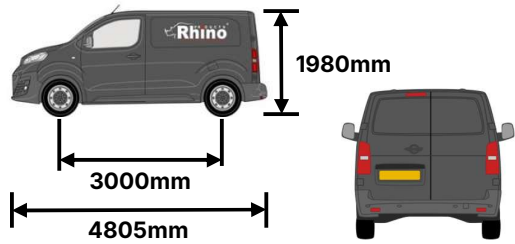
255

**L551/LB551- Jumpy/Dispatch/Proace/Expert 2008-2016,
L1-H1 (Twin)**

Max Load = 150kg/330lbs



L551/LB551 = 26kg/58lbs



A FN085 Qty

B FN085 Qty

Rear Bar – End (mm)

3

6

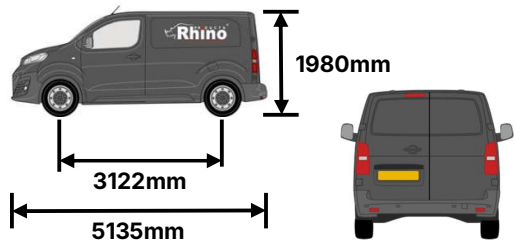
455

**L553/LB553- Jumpy/Dispatch/Proace/Expert 2008-2016,
L2-H1 (Twin)**

Max Load = 150kg/330lbs



L553/LB553 = 24kg/54lbs



A FN085 Qty

B FN085 Qty

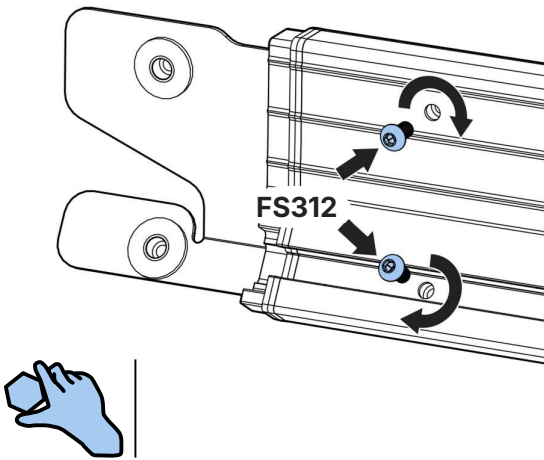
Rear Bar – End (mm)

4

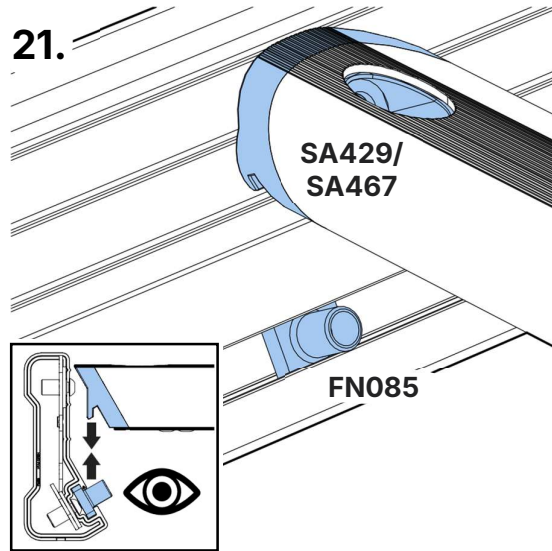
5

455

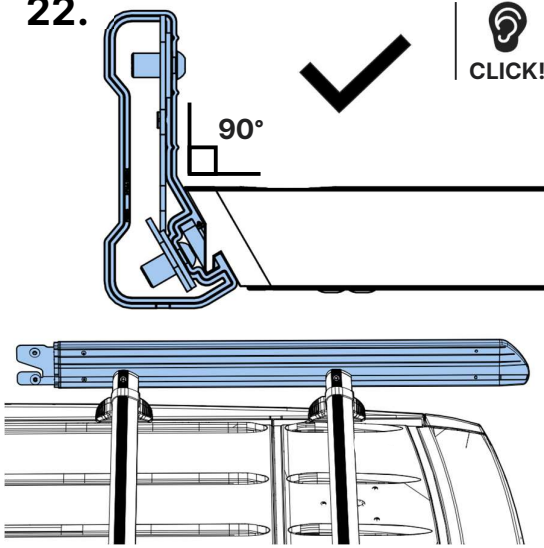
20.



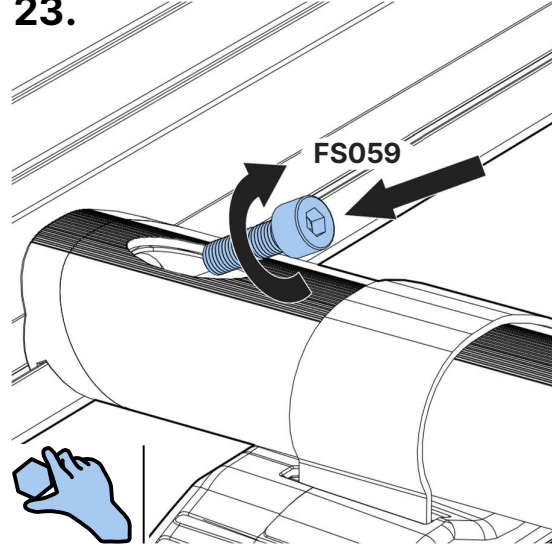
21.



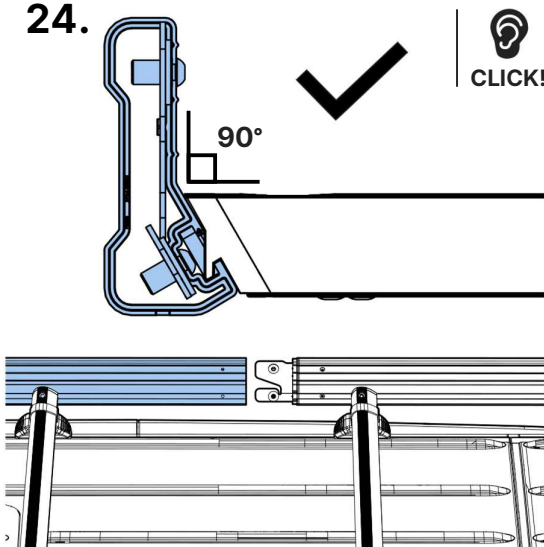
22.



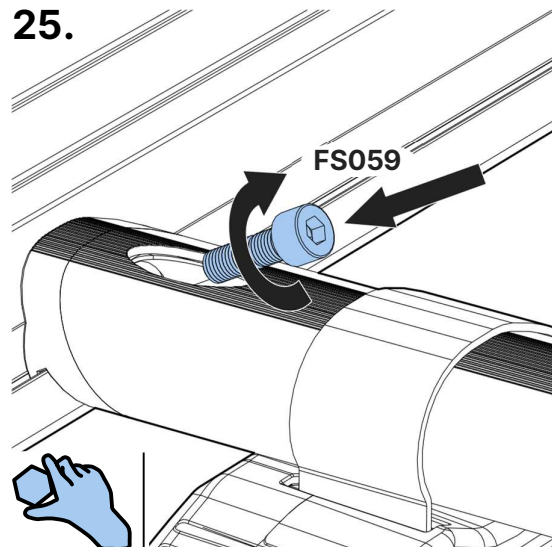
23.

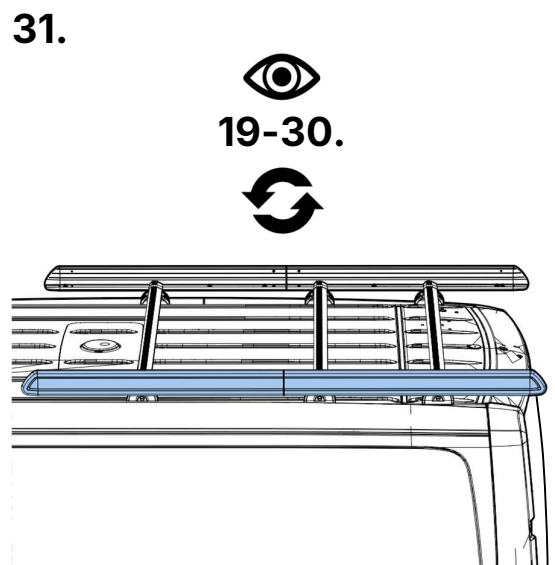
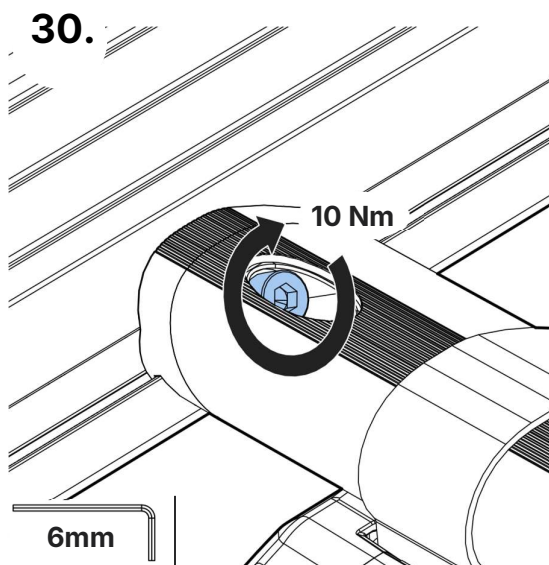
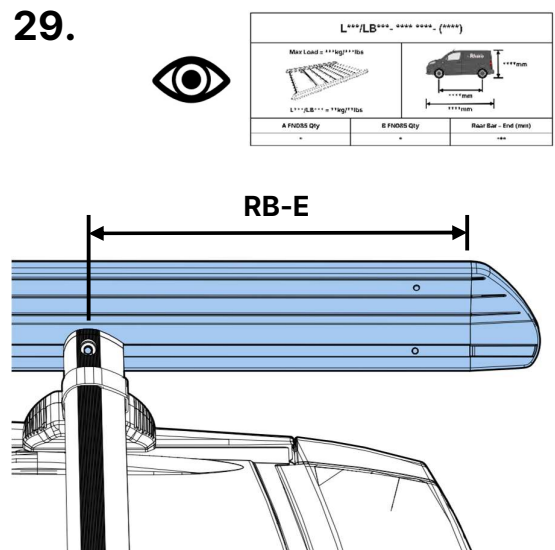
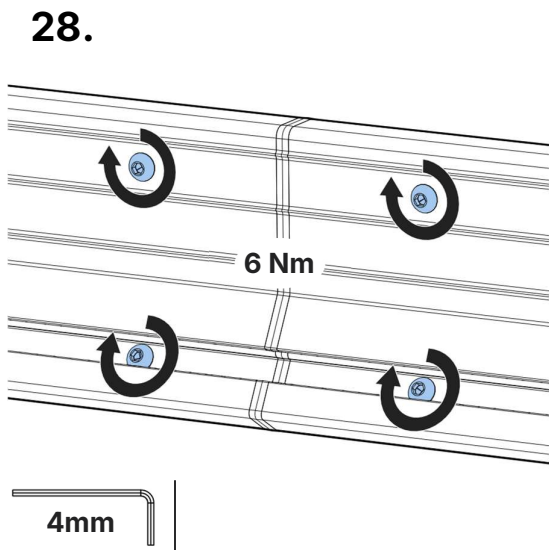
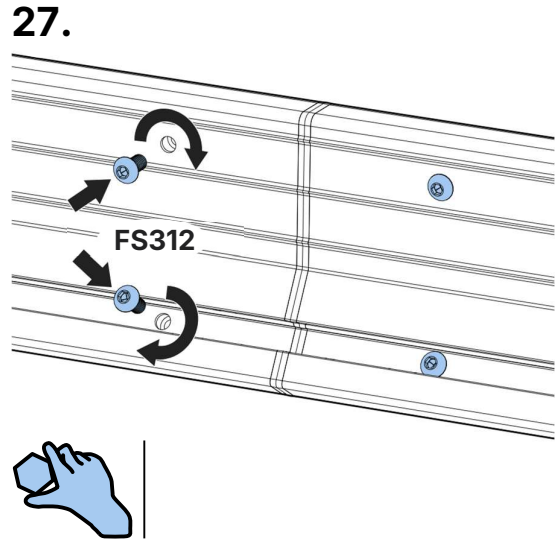
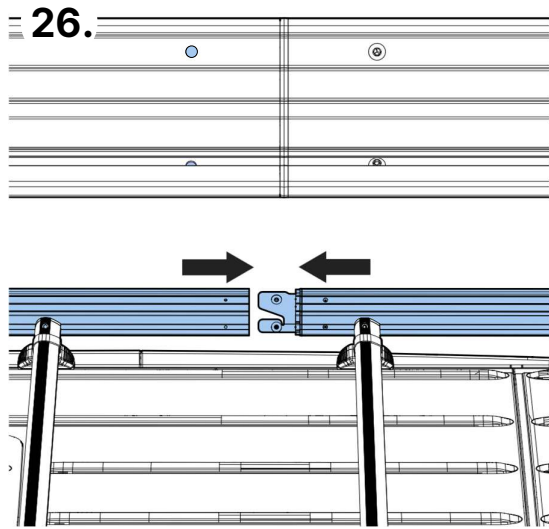


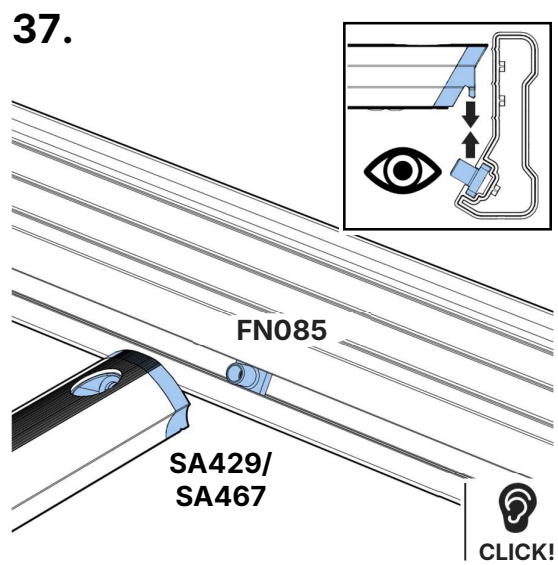
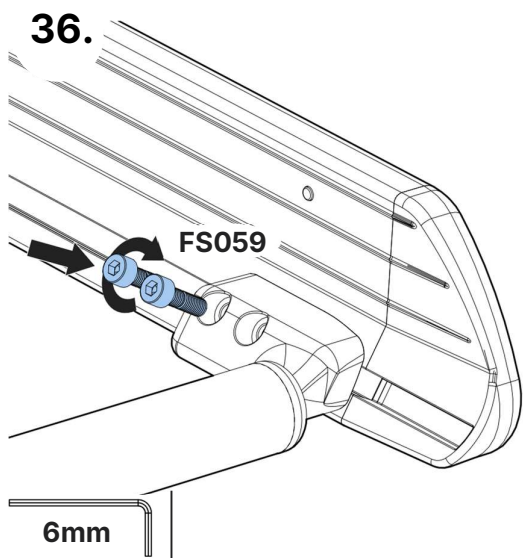
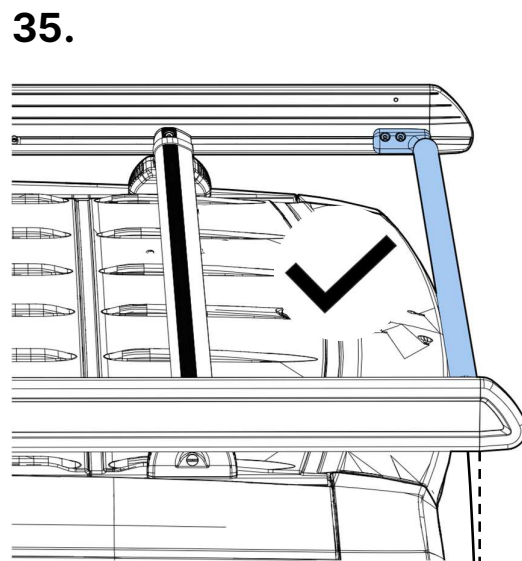
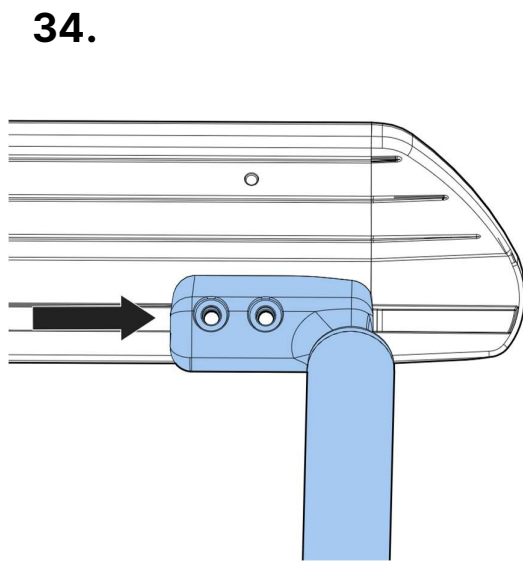
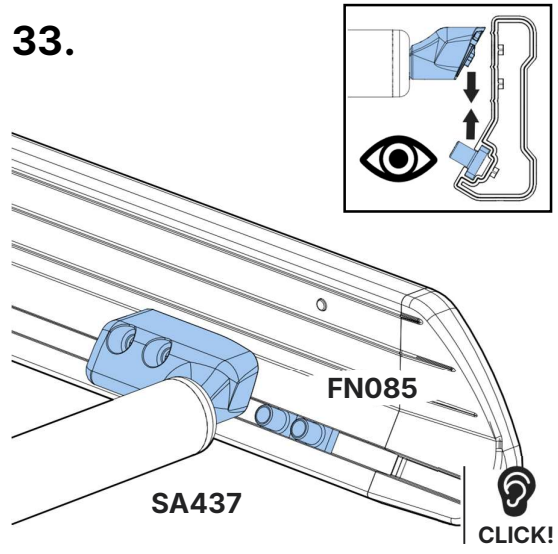
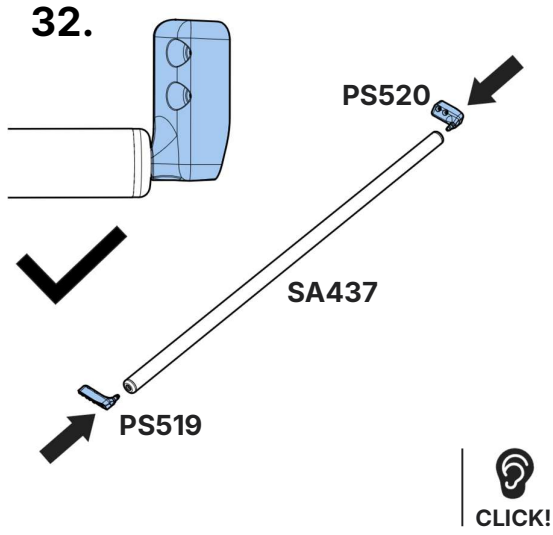
24.



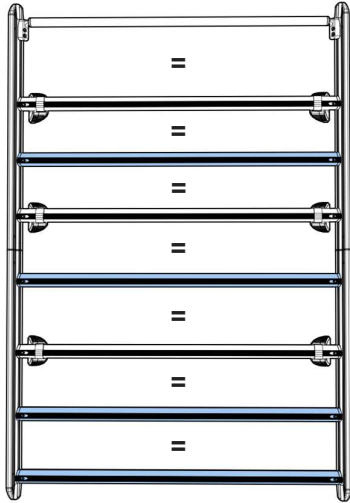
25.



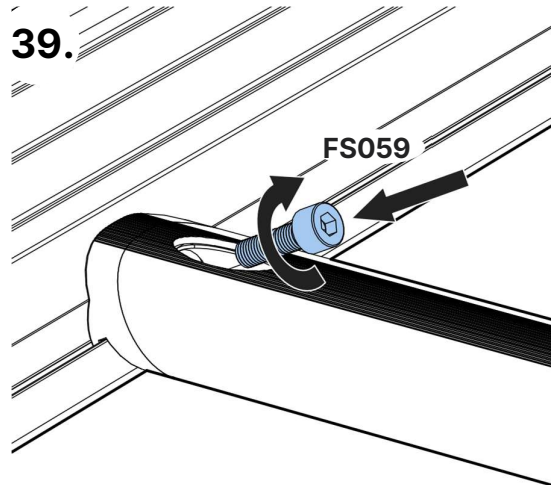




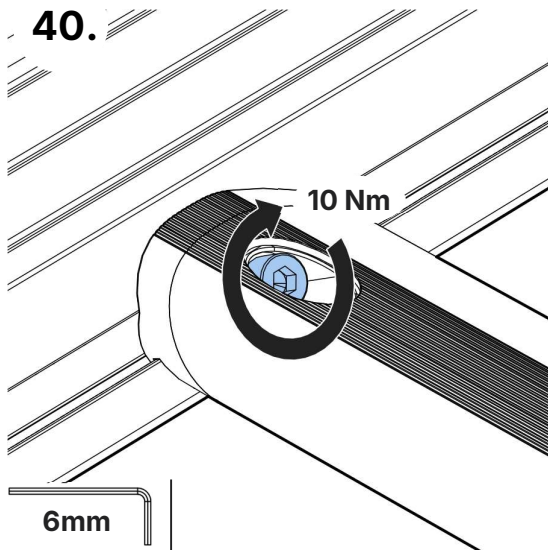
38.



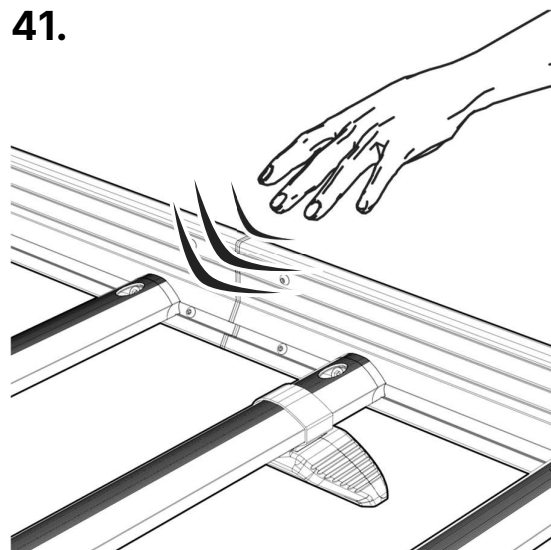
39.



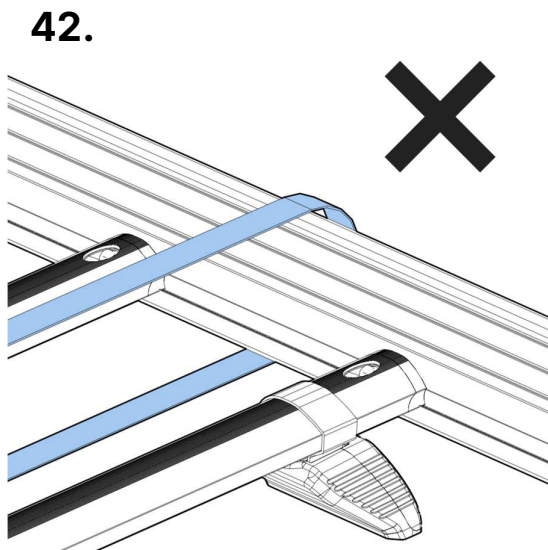
40.



41.



42.



43.

