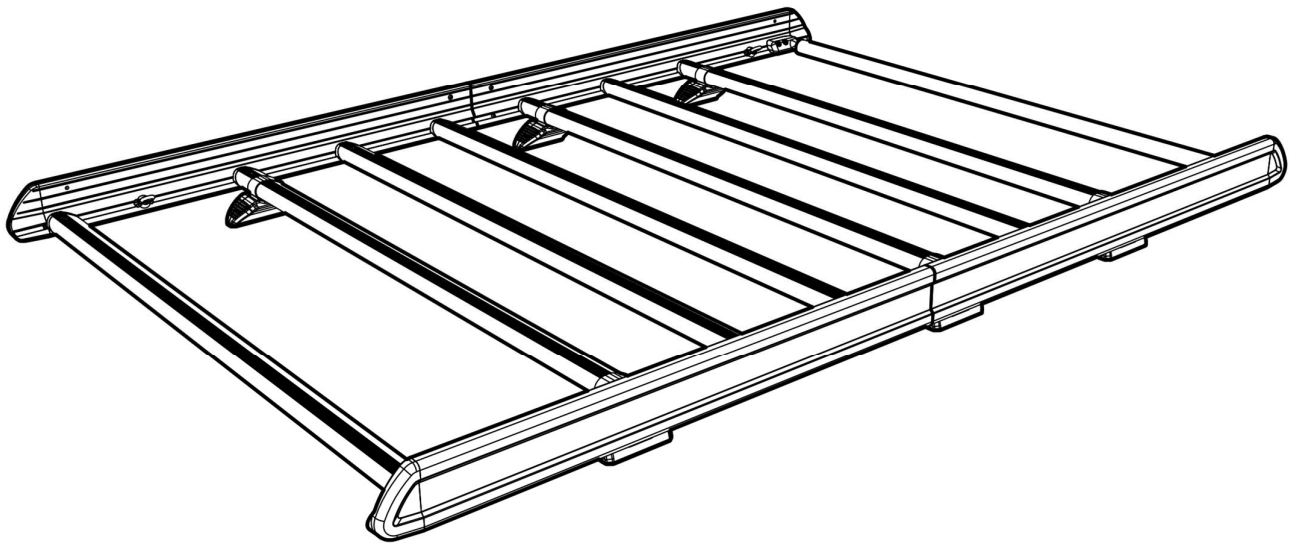


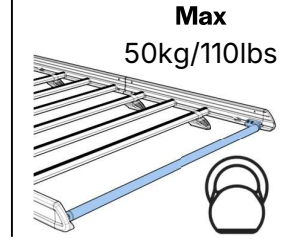
<b>Issue:</b>	<b>Drawn By:</b>	<b>Checked By:</b>	<b>CRF No.:</b>	<b>Date:</b>	<b>Description:</b>
a	SJ	KB	3609	21/10/25	First Issue
b					
c					
d					

# JD3KE

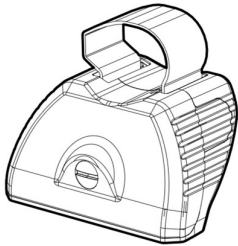
# KammEdge.

## Instructions

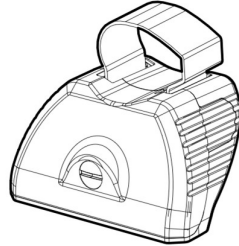




**KammEdge.**



**SA397U x 3**



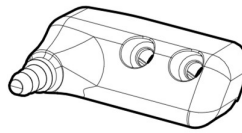
**SA398U x 3**



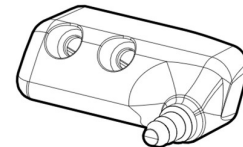
**SA429/SA467 x 6**



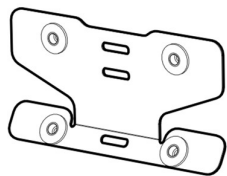
**SA437 x 1**



**PS519 x 1**



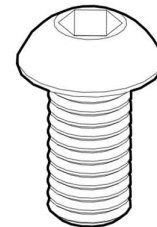
**PS520 x 1**



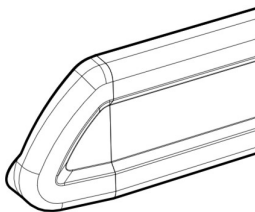
**SA610 x 2**



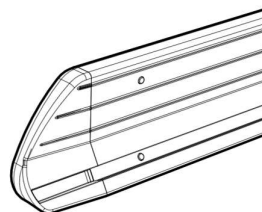
**PS635 x 2**



**FS323  
(M6 x 16) x 8**



**LSF (L) x 2**

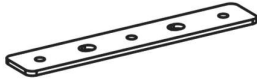


**LSF (R) x 2**

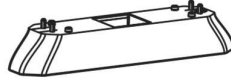


**C04 x 6**  
\*optional upgrade\*

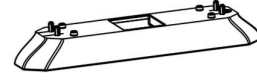
# Fitting Kit



PS210 x 6



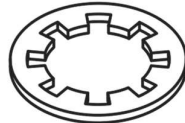
PS252 x 2



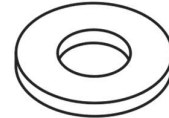
PS253 x 2



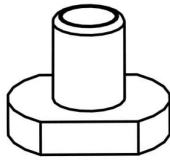
FN020 (M6) x 6



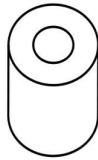
FW008 (M6) x 6



FW001 (M6) x 6



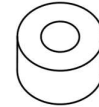
FN085 x 16



TP156 x 2



TP153 x 2



TP154 x 2



FS040  
(M6 x 35) x 2



FS039  
(M6 x 30) x 2



FS059  
(M8 x 25) x 16



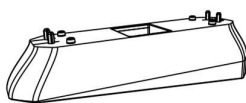
FT01 x 1



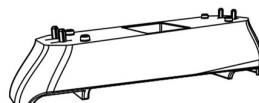
FT05 x 1



FS042  
(M6 x 40) x 2



PS254L x 1



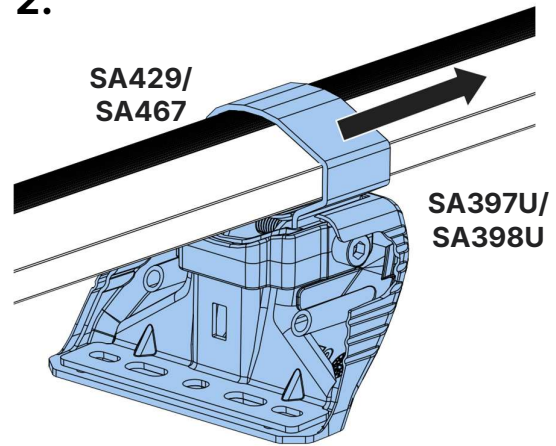
PS254R x 1



1.



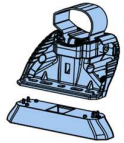
2.



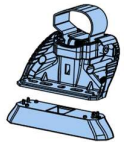
3.



SA397U  
PS254R

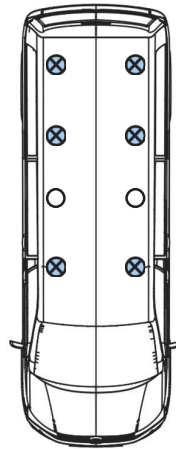


SA397U  
PS253



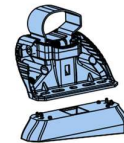
SA397U  
PS252

R

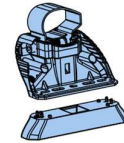


F

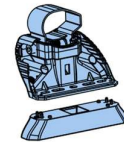
SA398U  
PS254L



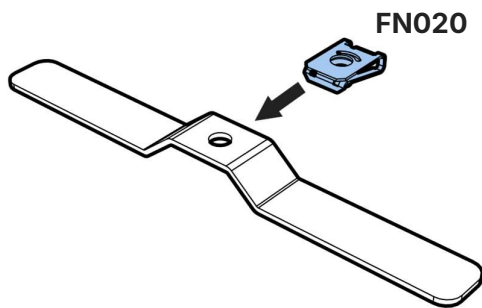
SA398U  
PS253



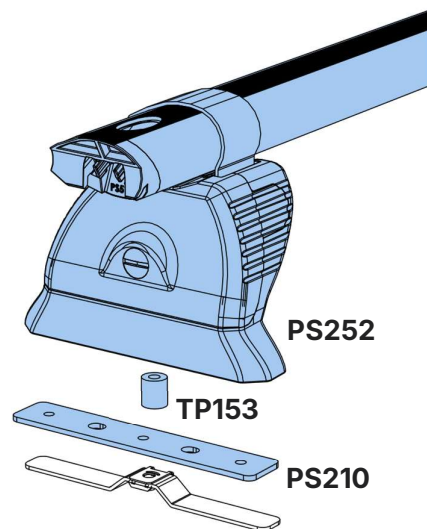
SA398U  
PS252

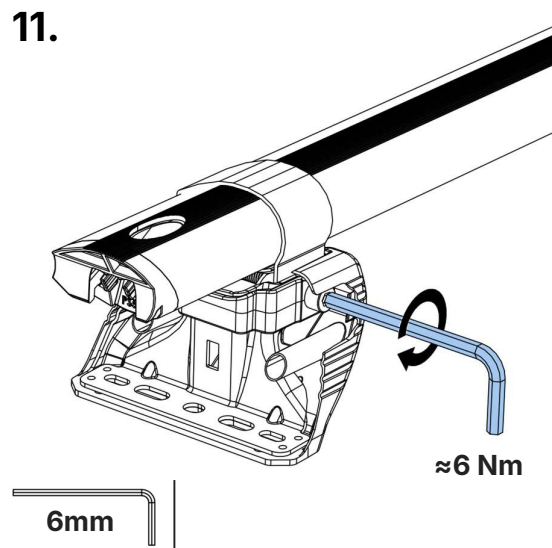
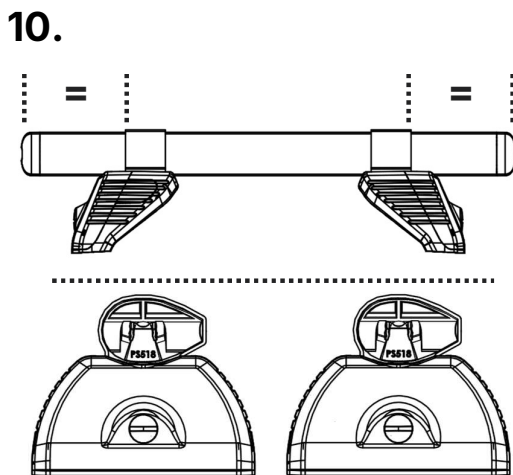
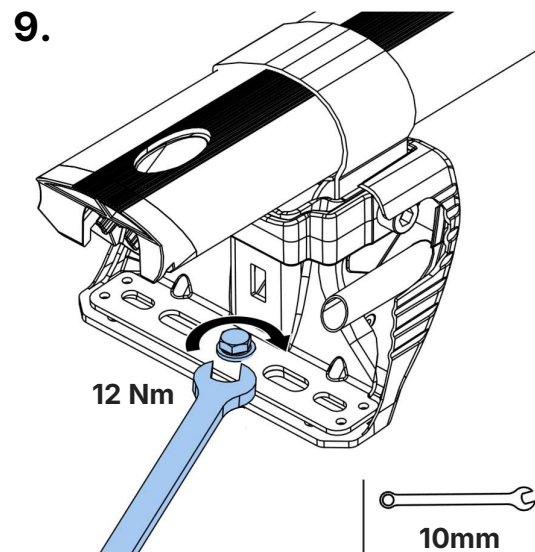
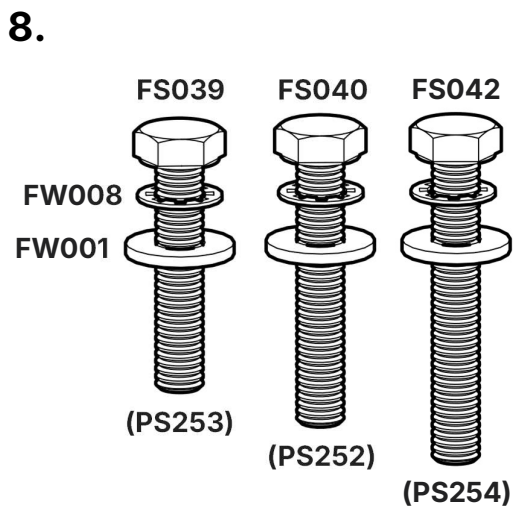
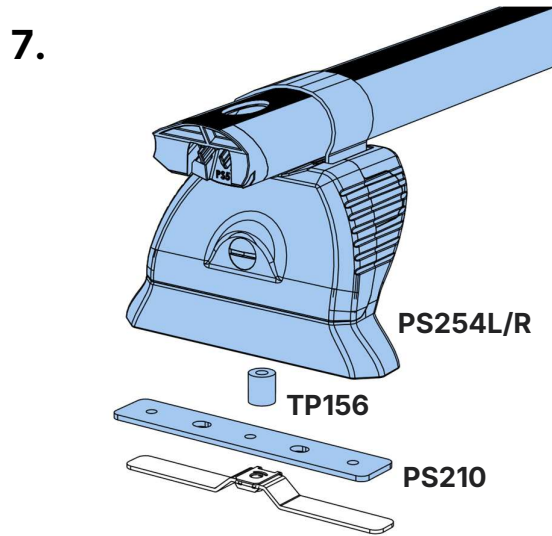
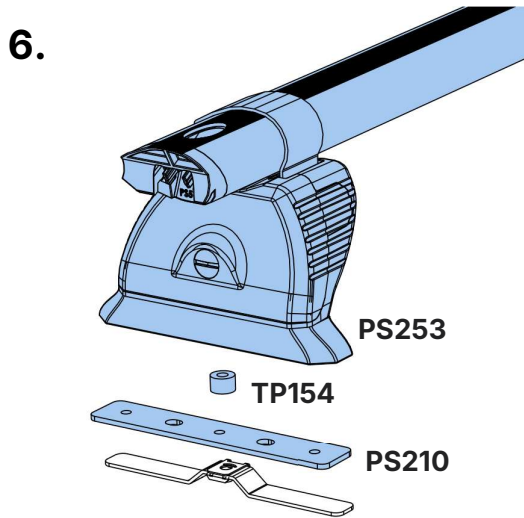


4.

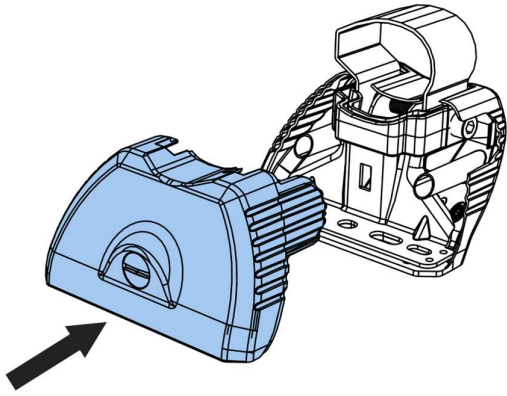


5.

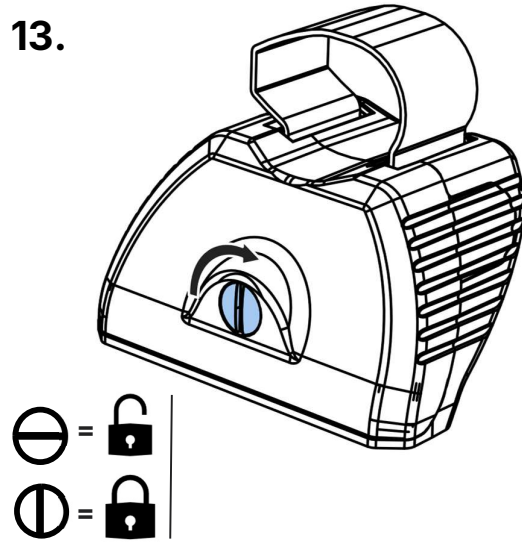




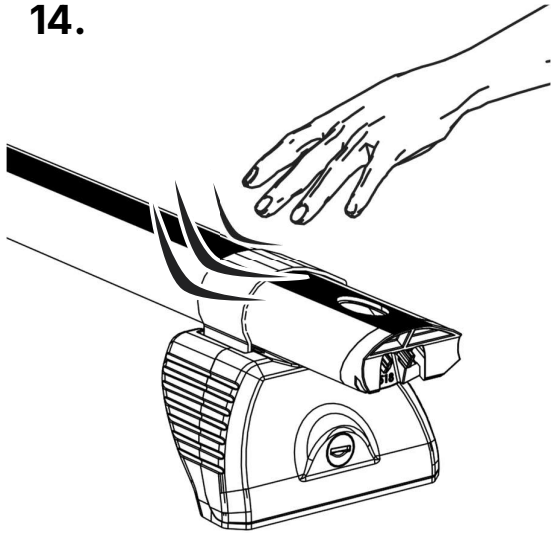
12.

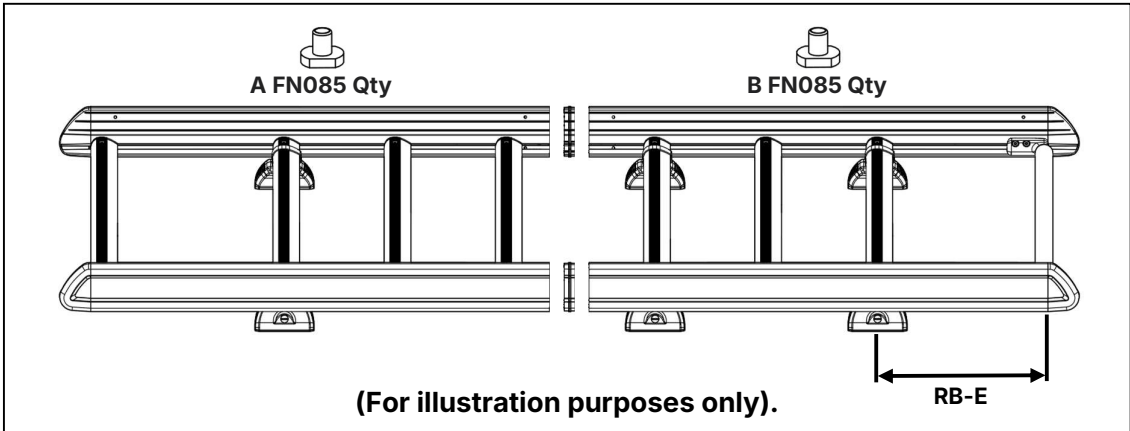


13.



14.



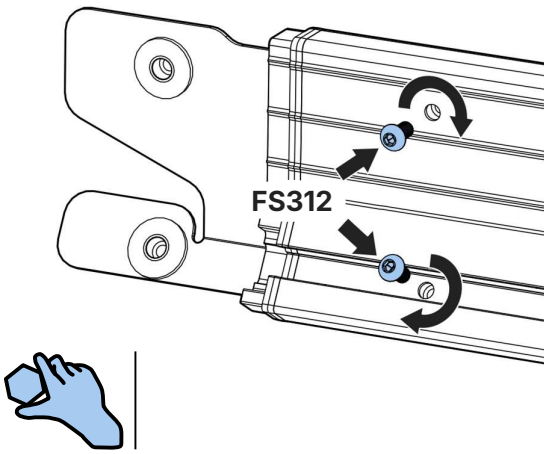


<b>L660/LB660- Jumpy/Dispatch/Proace/Expert 2016-, Opel/Vauxhall Vivaro 2019- (Tailgate)</b>		
<p style="text-align: center;">Max Load = 150kg/330lbs</p> <p style="text-align: center;">L660/LB660 = 22kg/48lbs</p>		
<b>A FN085 Qty</b>	<b>B FN085 Qty</b>	<b>Rear Bar – End (mm)</b>
3	5	155

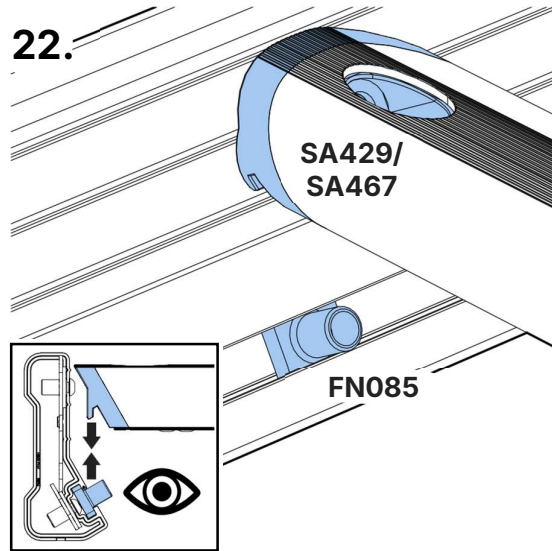
<b>L659/LB659- Jumpy/Dispatch/Proace/Expert 2016-, Opel/Vauxhall Vivaro 2019- (Twin)</b>		
<p style="text-align: center;">Max Load = 150kg/330lbs</p> <p style="text-align: center;">L659/LB659 = 22kg/48lbs</p>		
<b>A FN085 Qty</b>	<b>B FN085 Qty</b>	<b>Rear Bar – End (mm)</b>
3	5	330



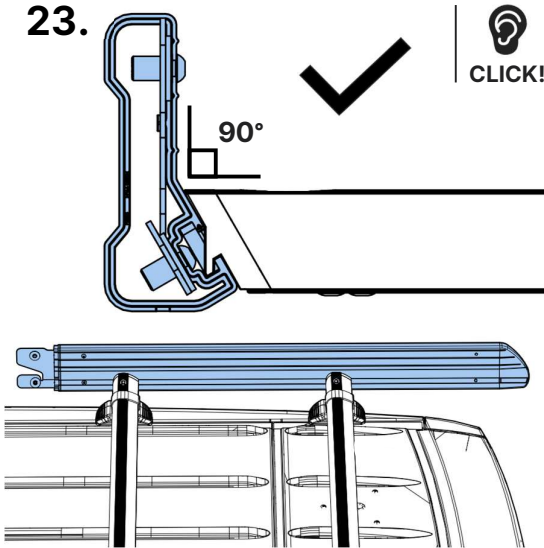
21.



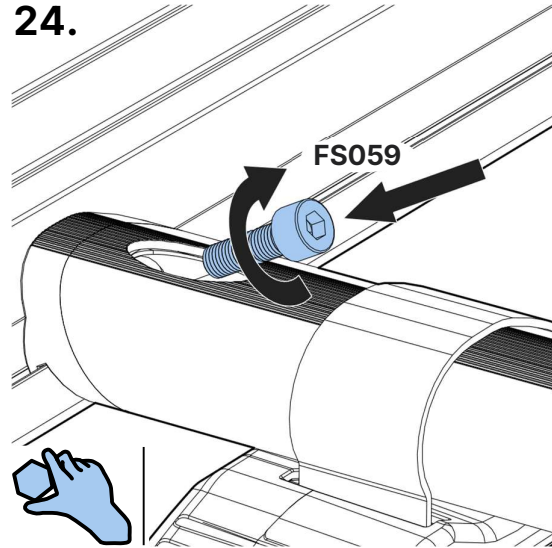
22.



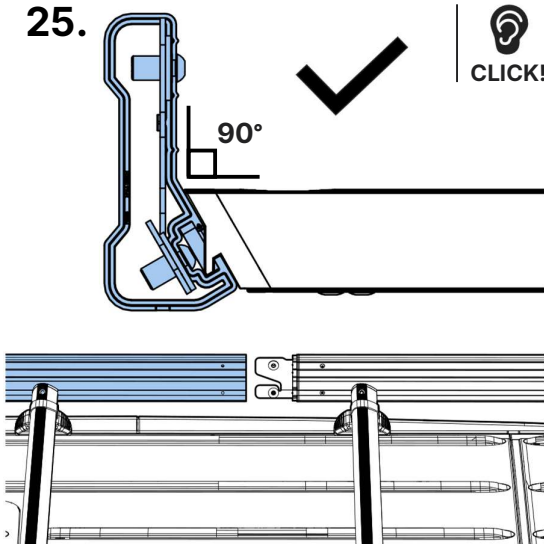
23.



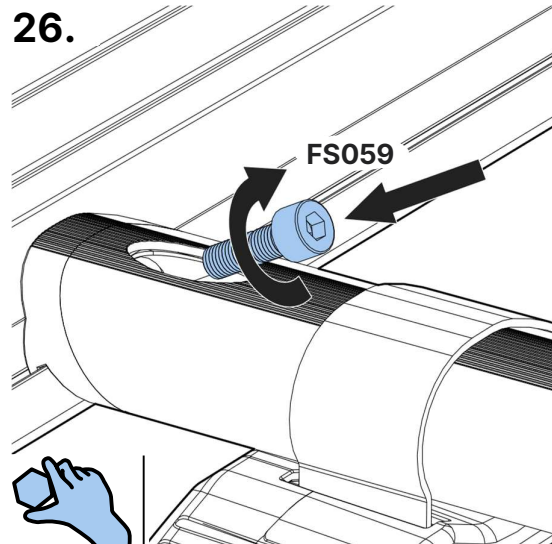
24.

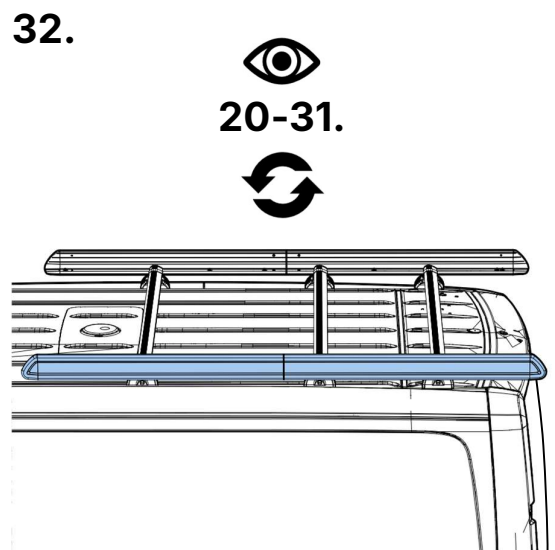
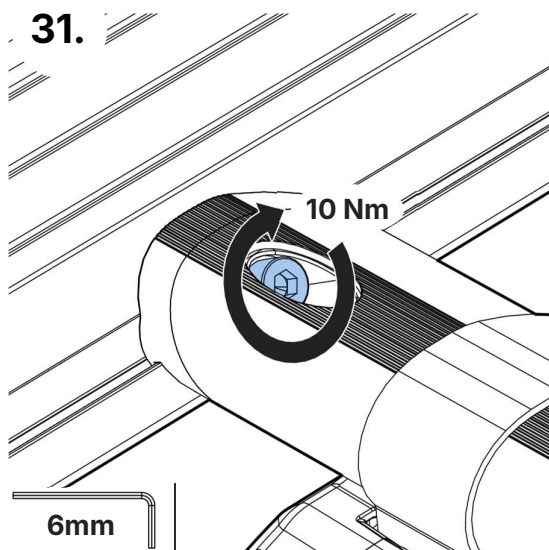
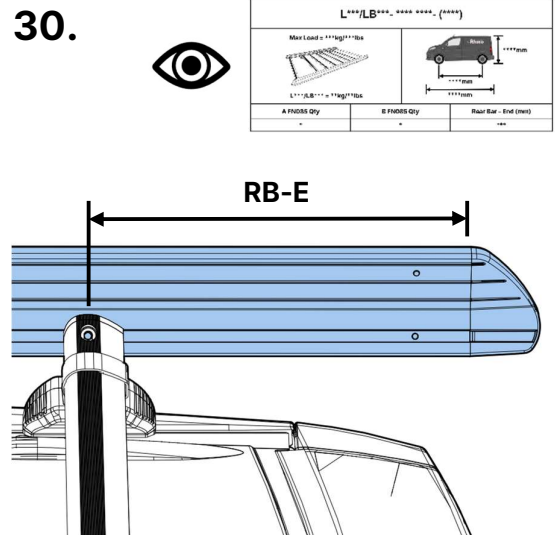
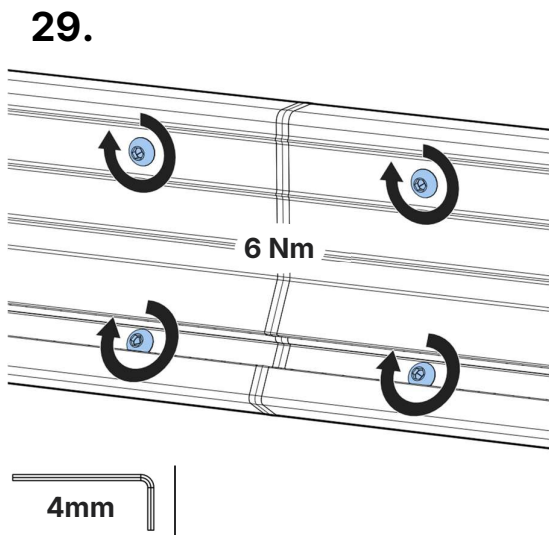
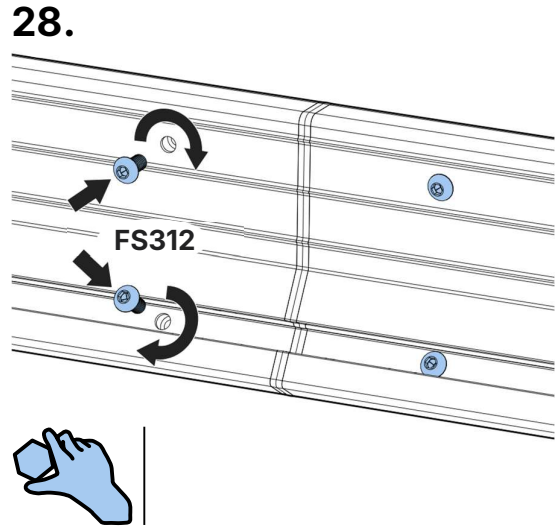
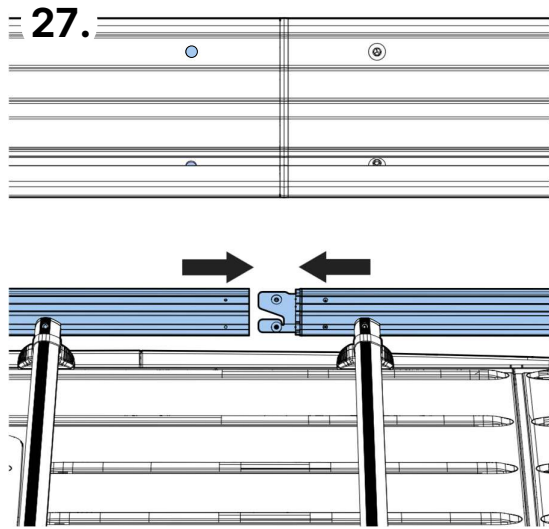


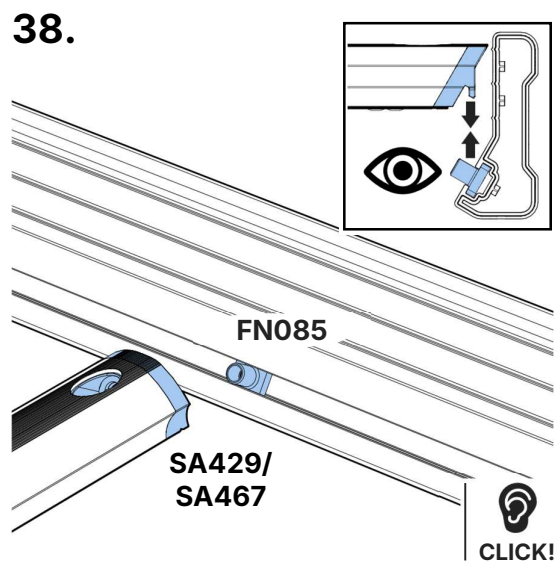
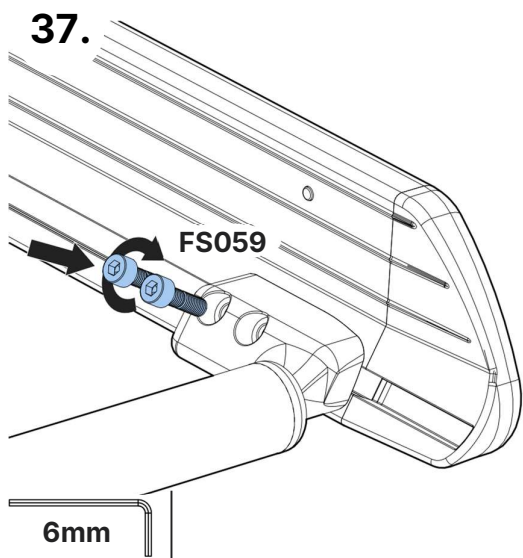
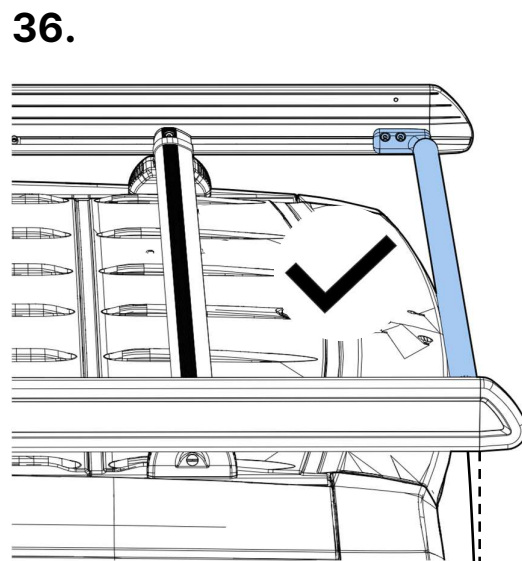
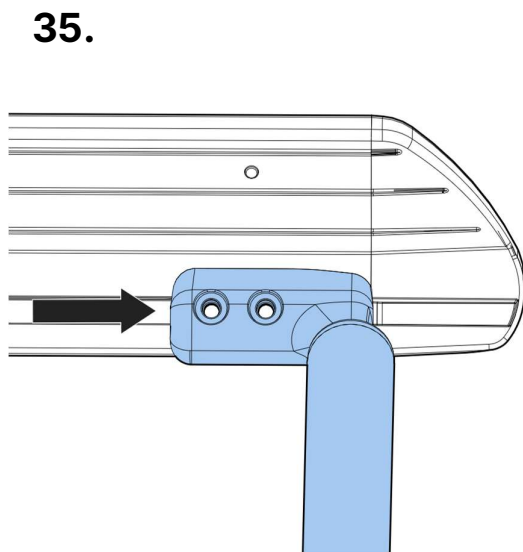
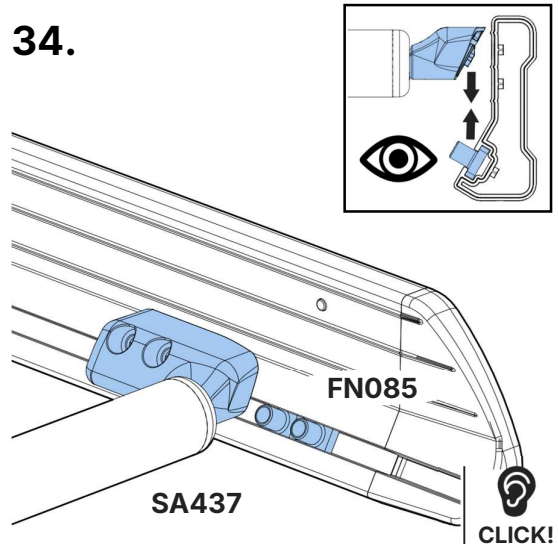
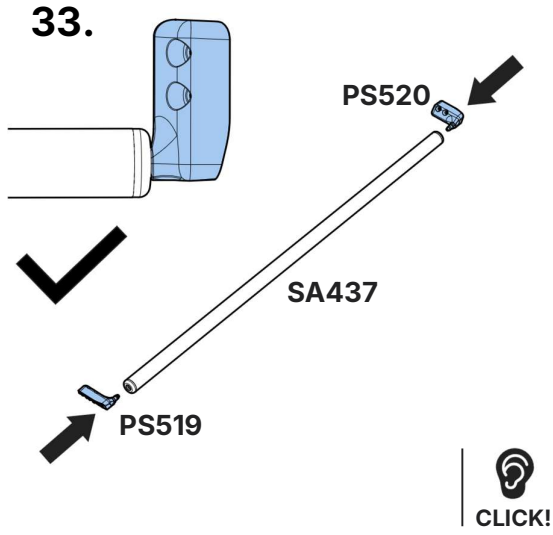
25.



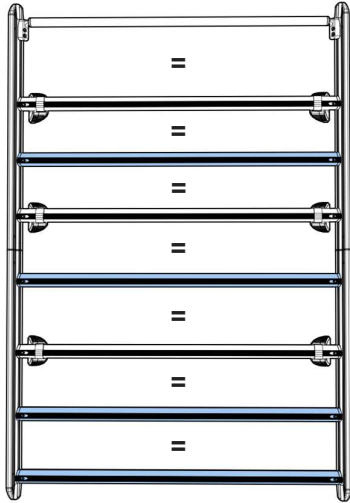
26.



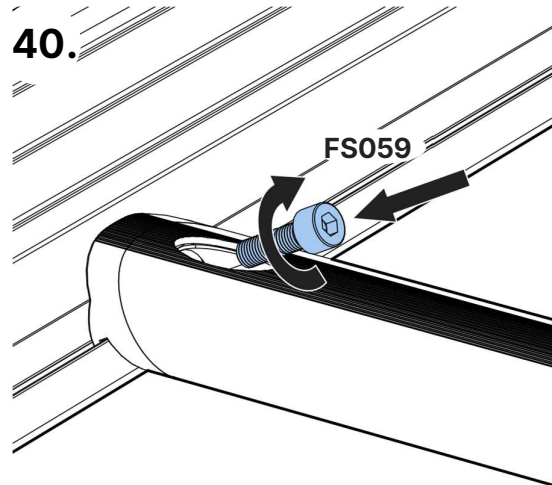




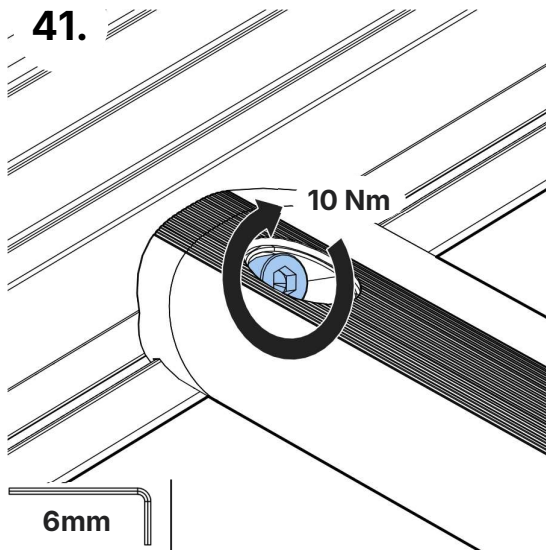
39.



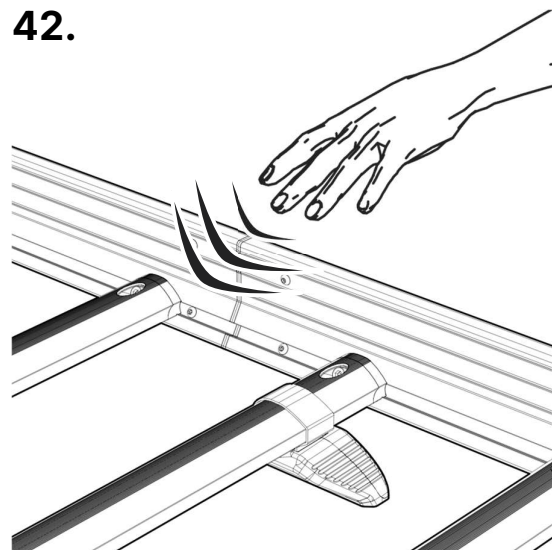
40.



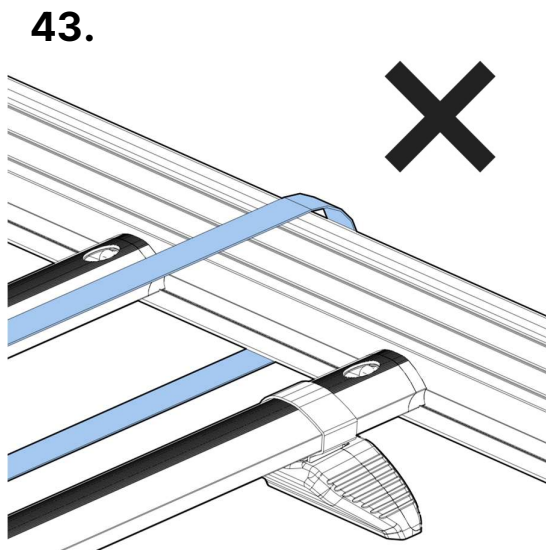
41.



42.



43.



44.

