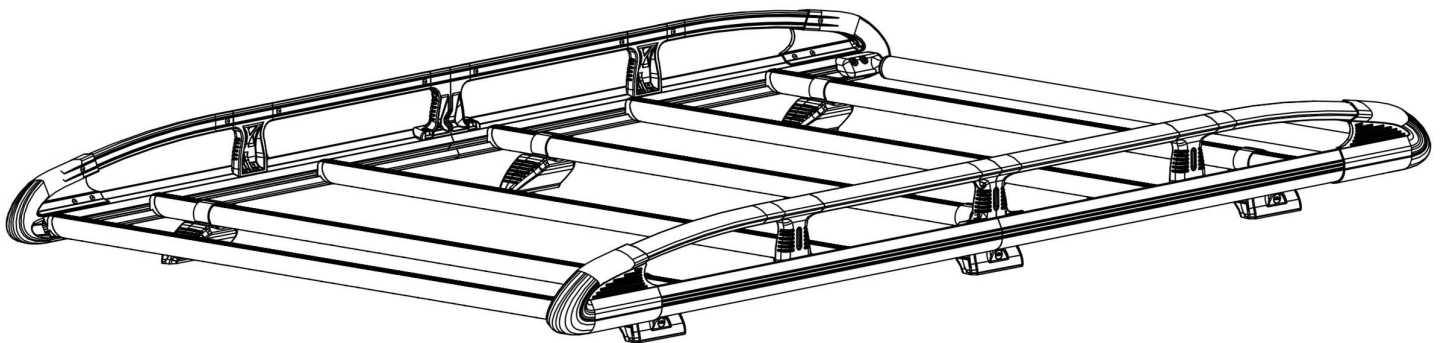


JD3KR

KammRack

Instructions

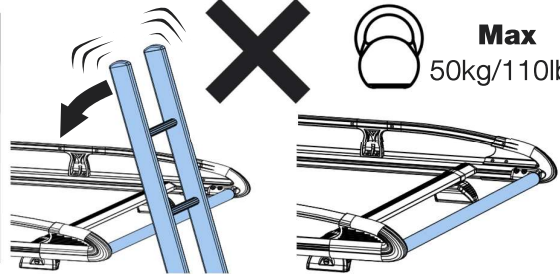
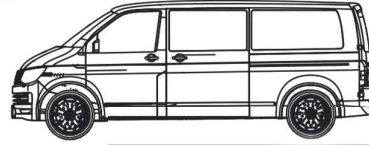


CITY CRASH (✓)

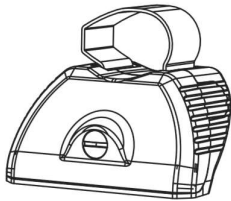
According to ISO/ PAS 11154:2006

JD3KR:

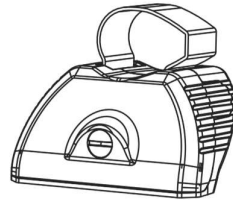
CITROEN Jumper/Dispatch, 2016 –
PEUGEOT Expert, 2016 –
TOYOTA Proace, 2016 –
VAUXHALL Opel Vivaro, 2019 –



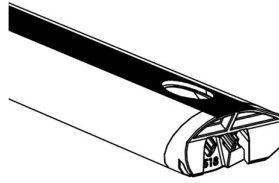
KammRack



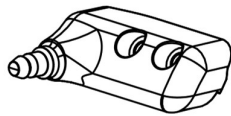
SA397U x 3



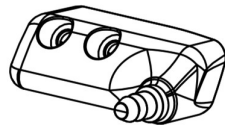
SA398U x 3



SA428



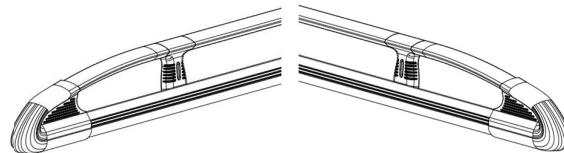
PS519 x 1



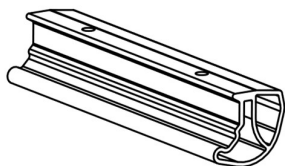
PS520 x 1

LHS x 2

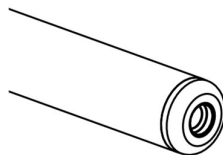
RHS x 2



ASF x 1

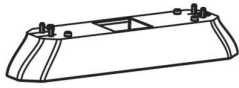


EXT15-02 x 2

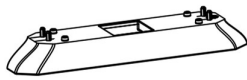


SA436 x 1

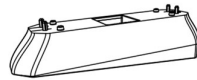
Fitting Kit



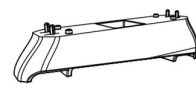
PS252 x 2



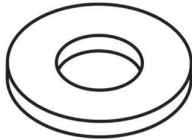
PS253 x 2



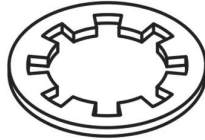
PS254L x 1



PS254R x 1



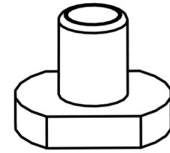
FW001 (M6) x 6



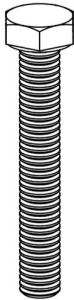
FW008 (M6) x 6



FN020 (M6) x 6



FN085 x 16



FS042
(M6 x 40) x 2



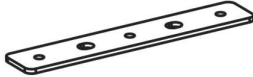
FS040
(M6 x 35) x 2



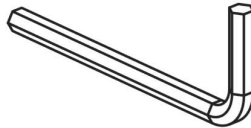
FS039
(M6 x 30)
x 2



FS059
(M8 x 25)
x 16



PS210 x 6

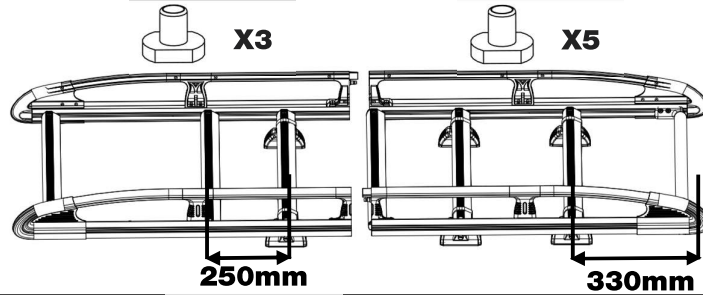
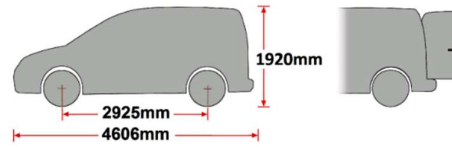
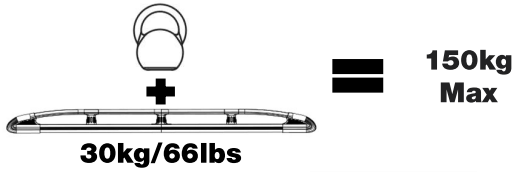


FT01 x 1

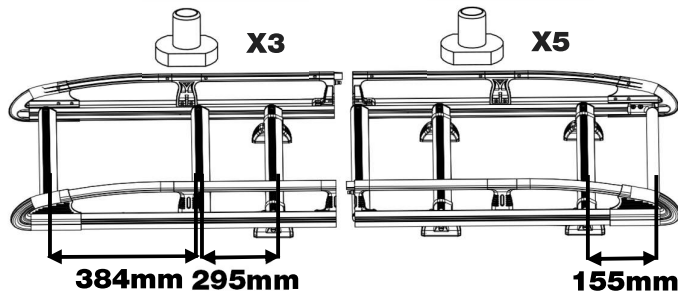
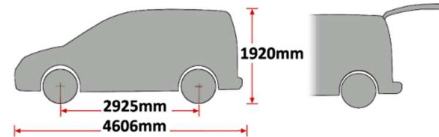
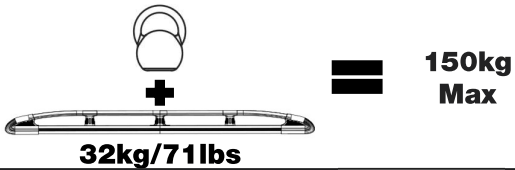


FT05 x 1

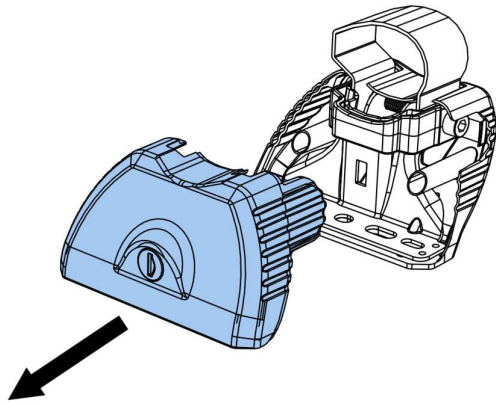
K659- Jumpy/Dispatch/Proace/Expert 2016- Opel Vivaro 2019- L1, H1, Twin Doors



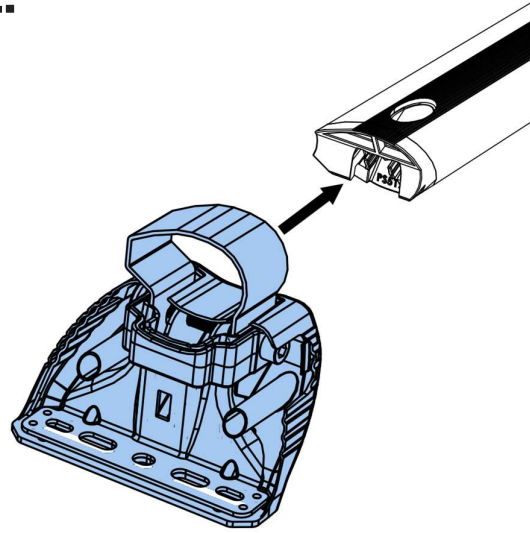
K660- Jumpy/Dispatch/Proace/Expert 2016- Opel Vivaro 2019- L1, H1, Tailgate



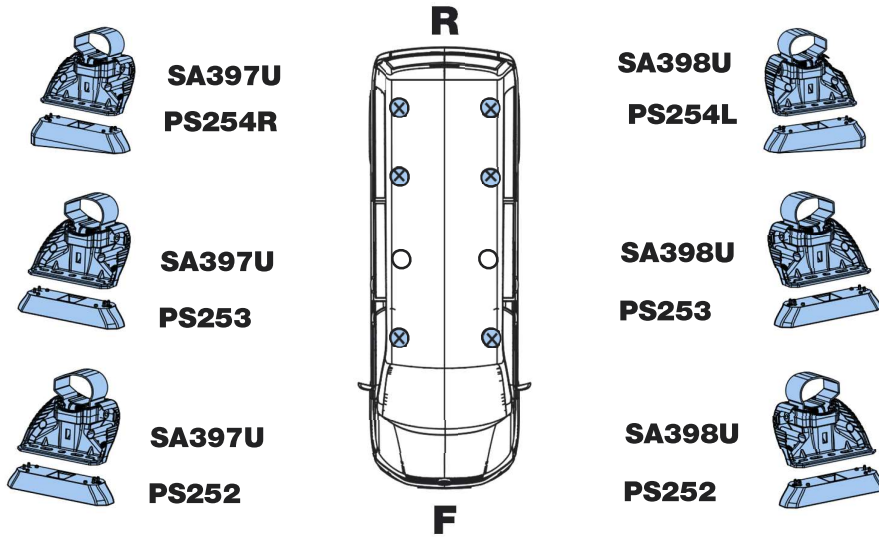
1.



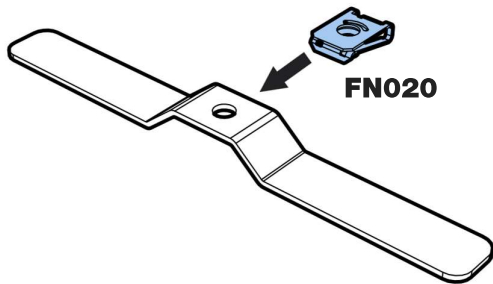
2.



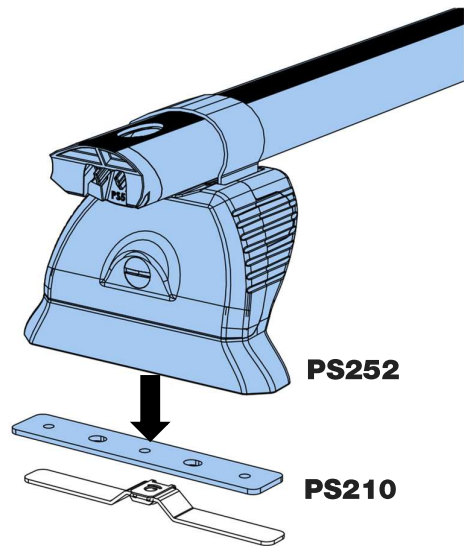
3.



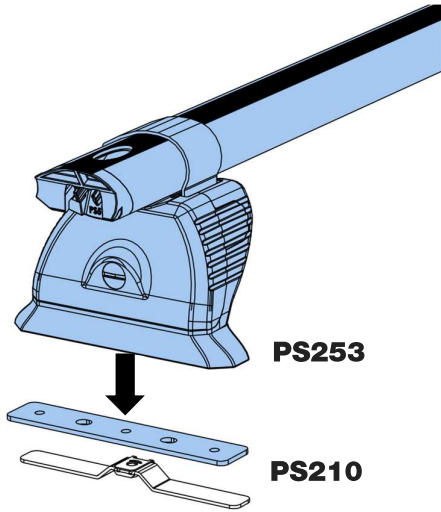
4.



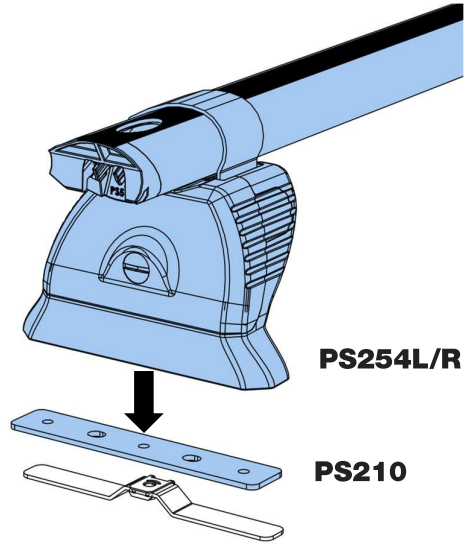
5.



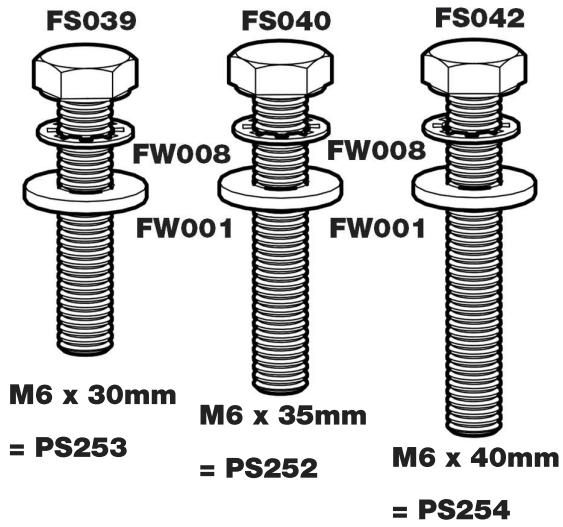
6.



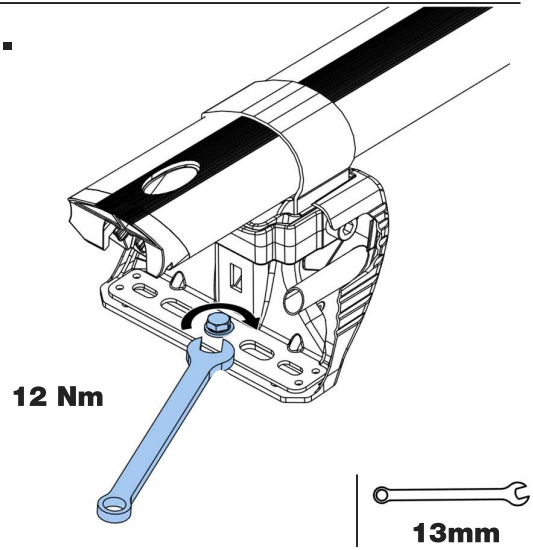
7.



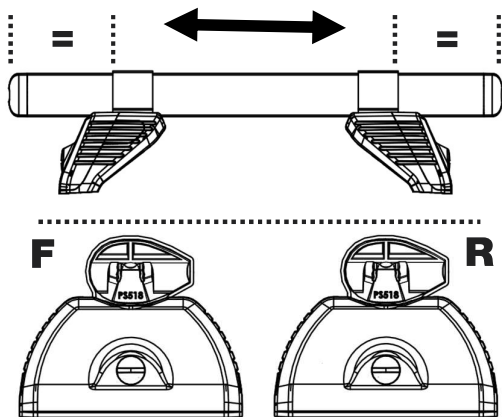
8.



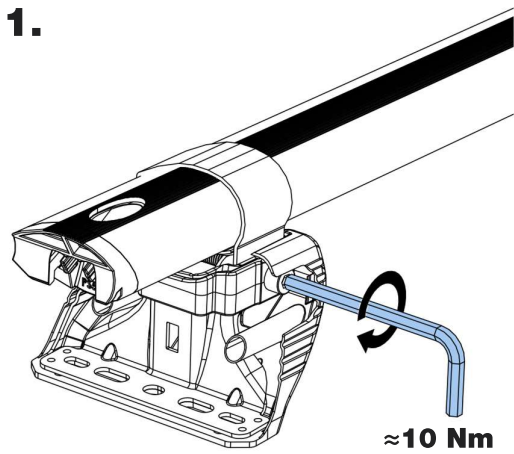
9.

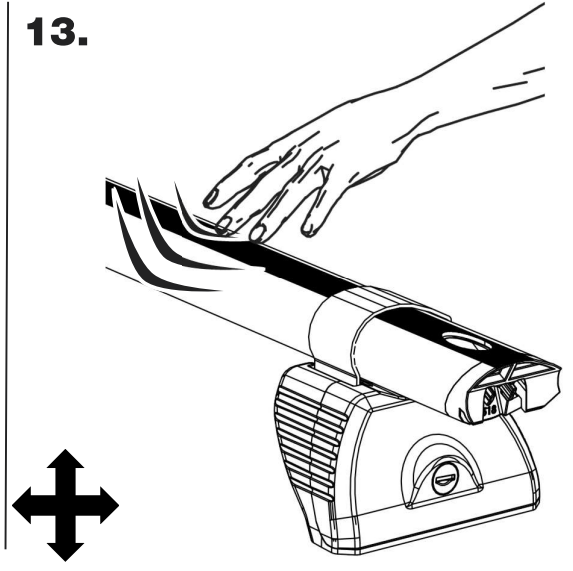
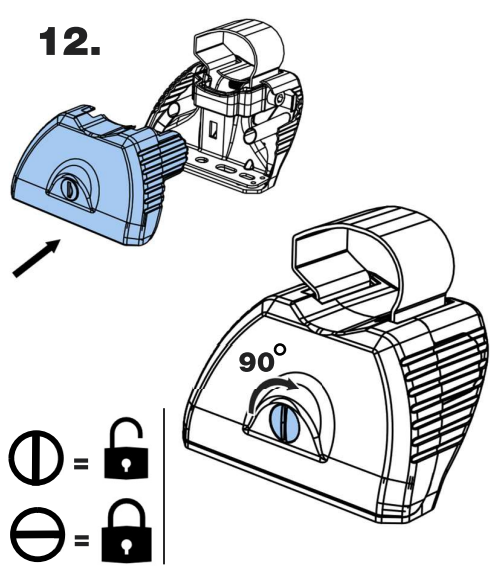


10.

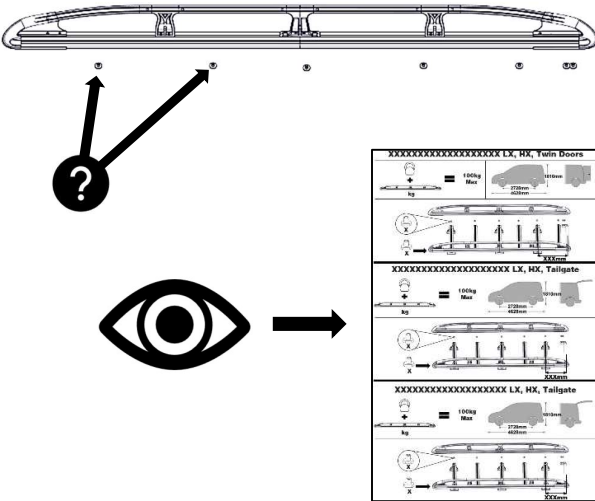


11.

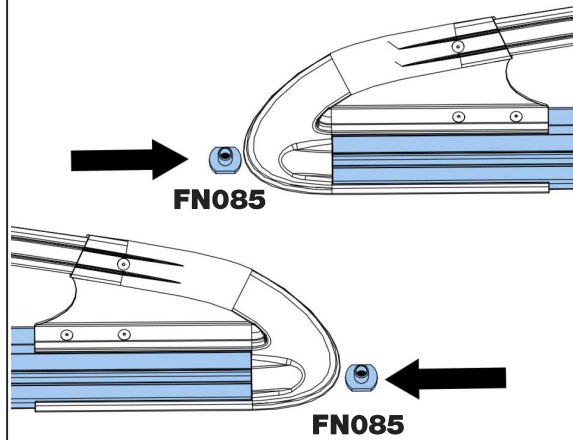




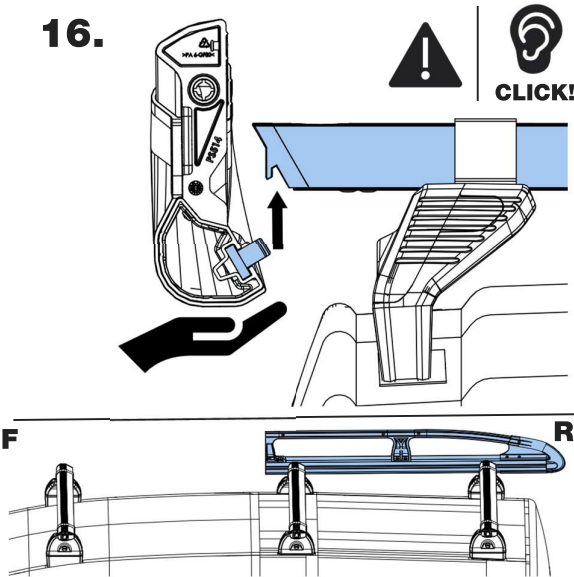
14.



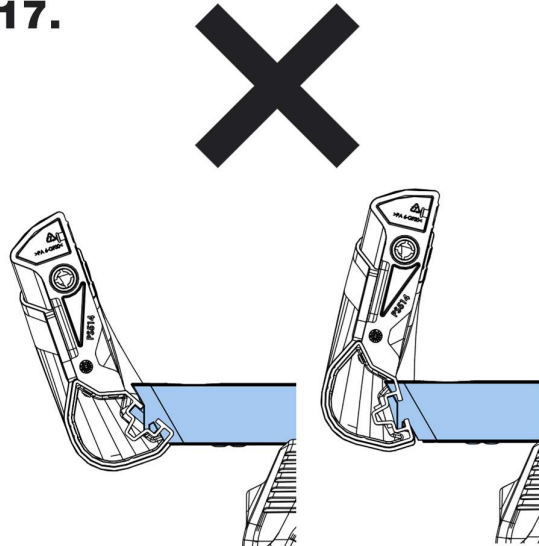
15.



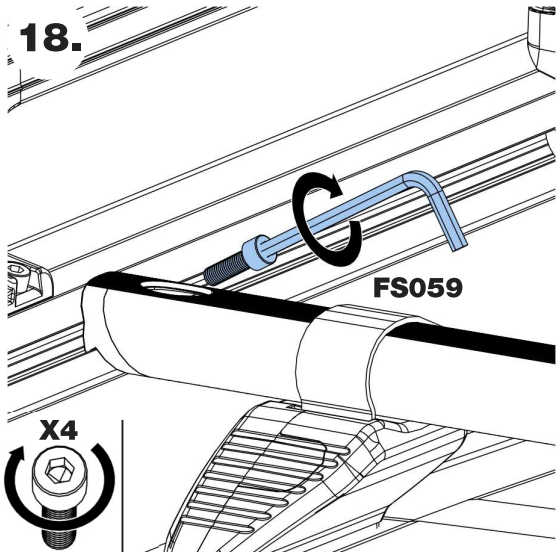
16.



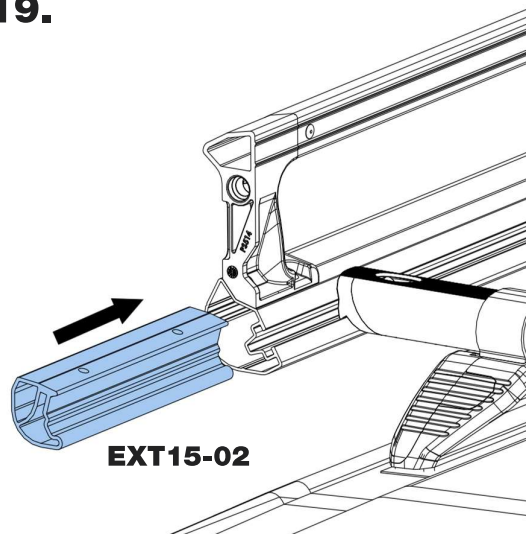
17.



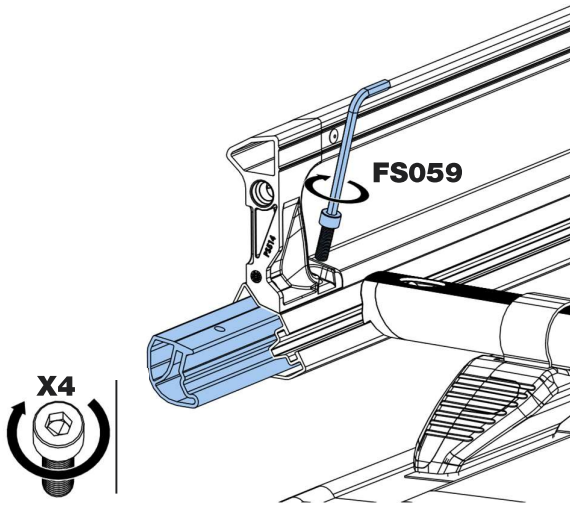
18.



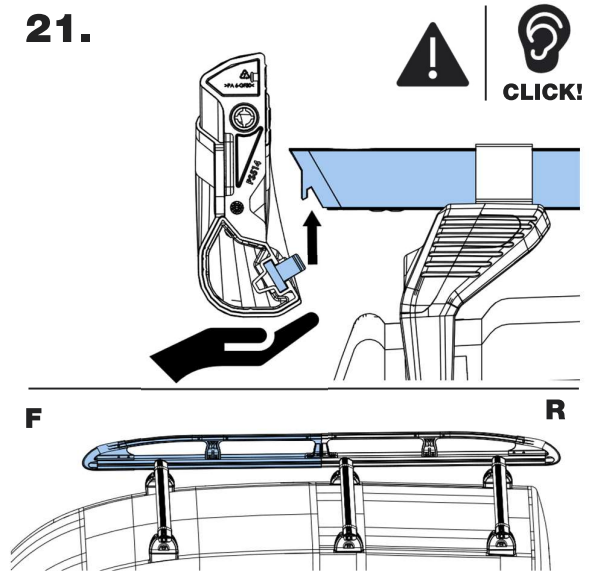
19.



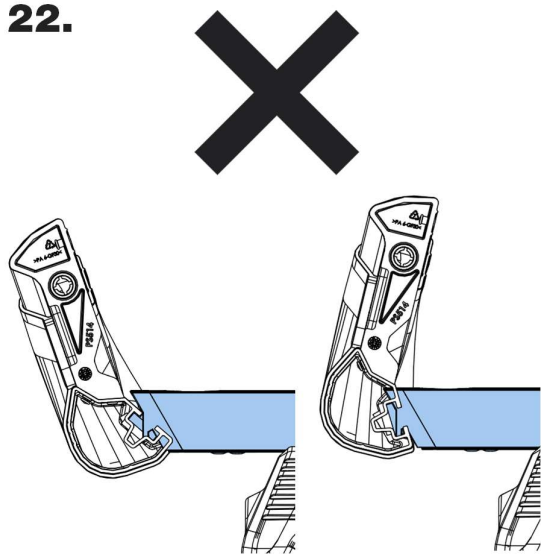
20.



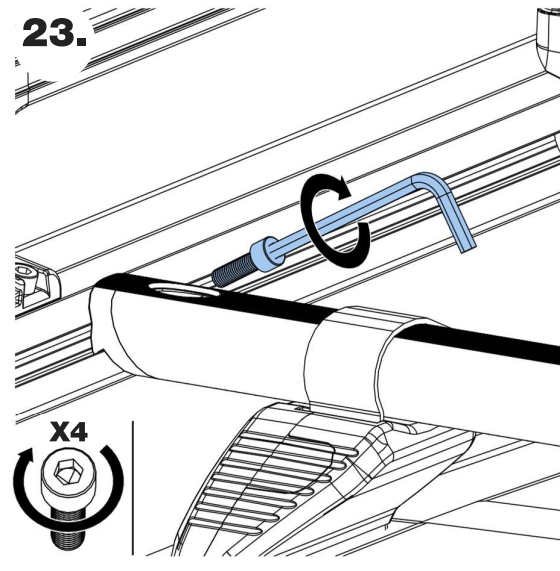
21.



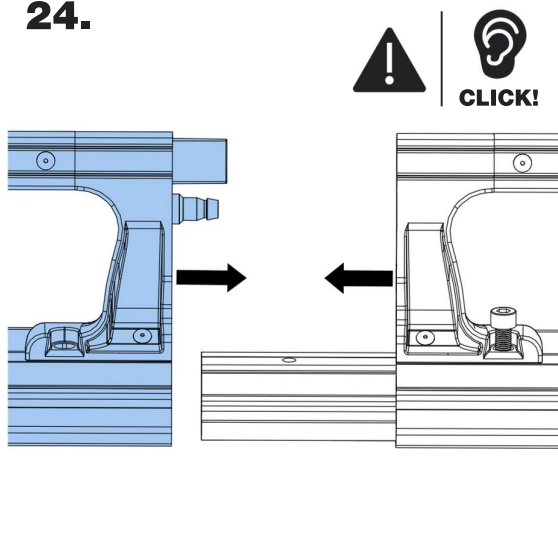
22.



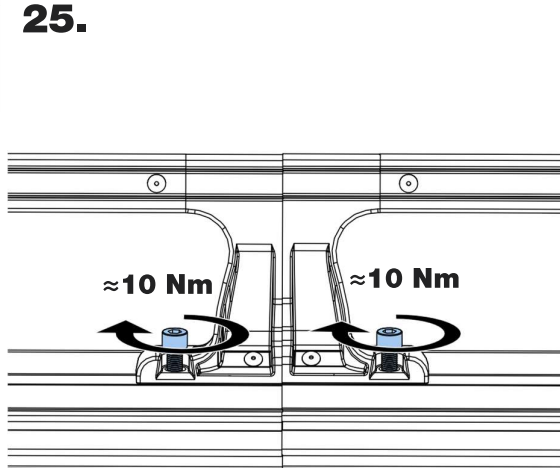
23.



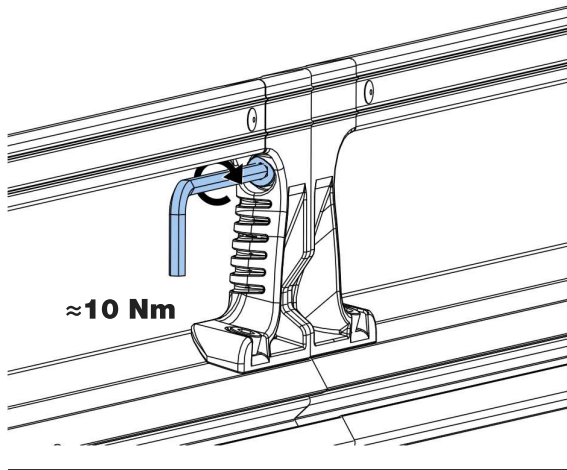
24.



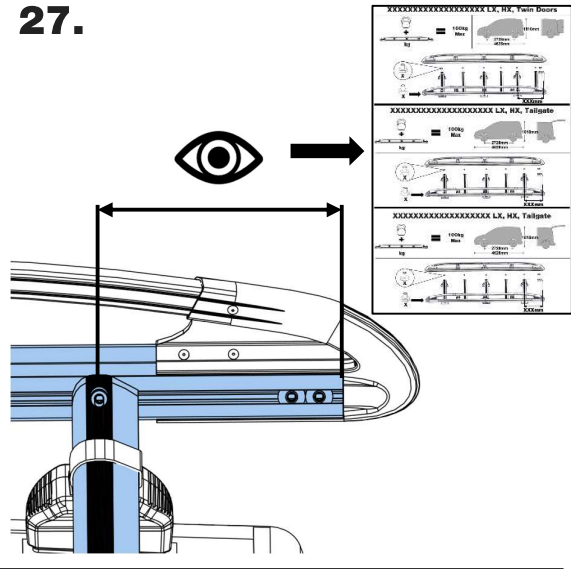
25.



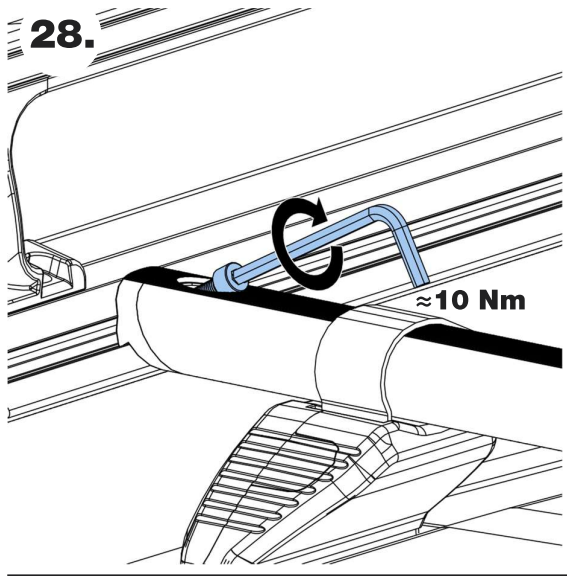
26.



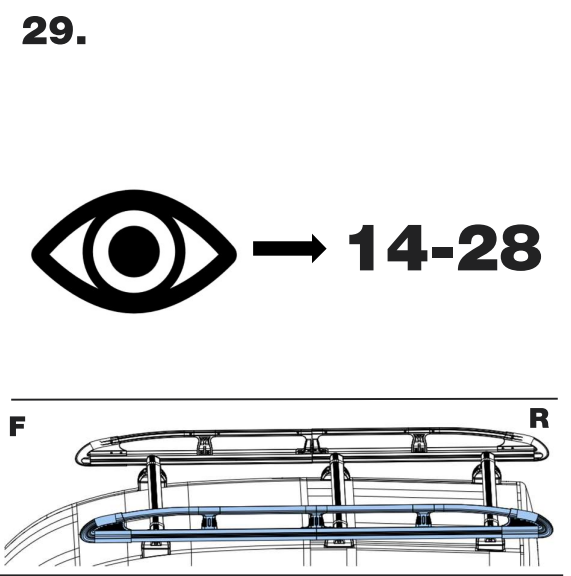
27.



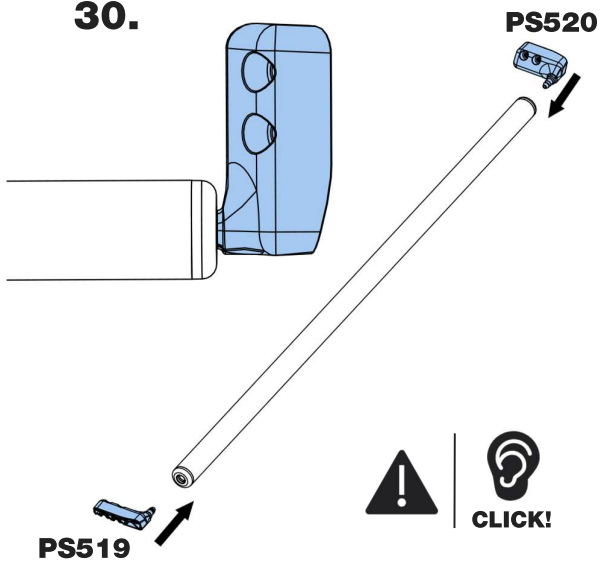
28.



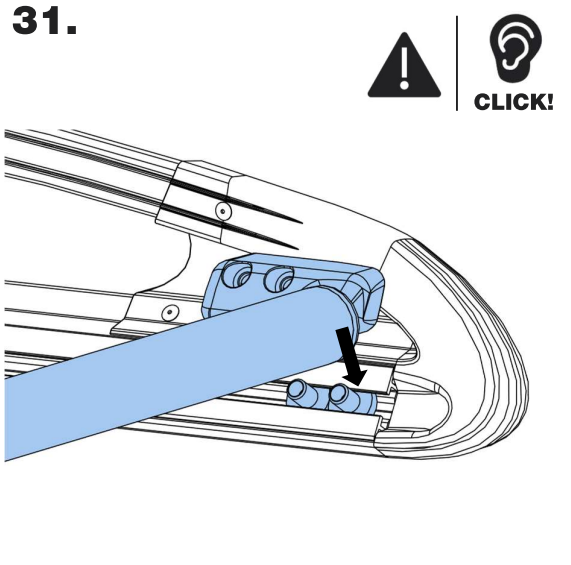
29.



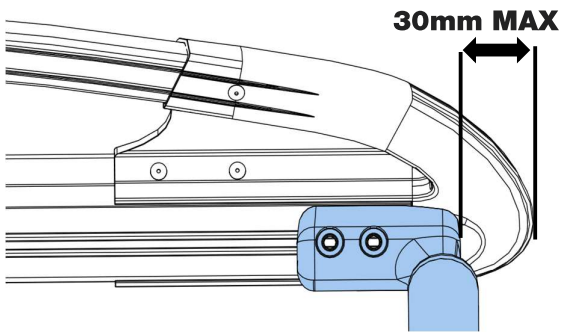
30.



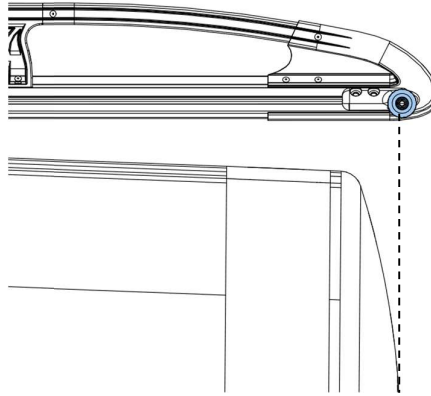
31.



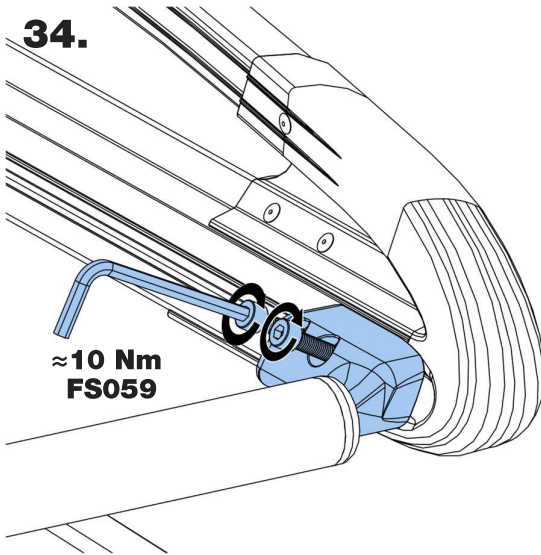
32.



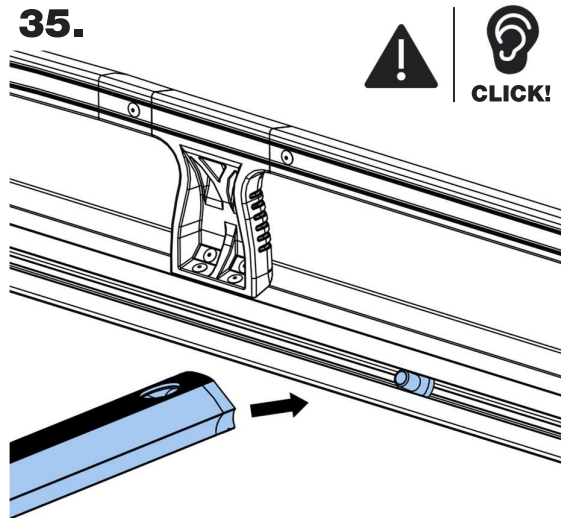
33.



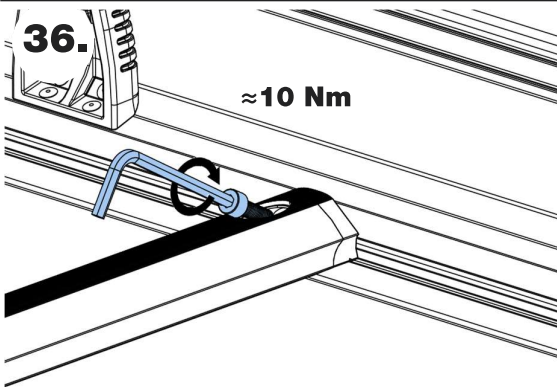
34.



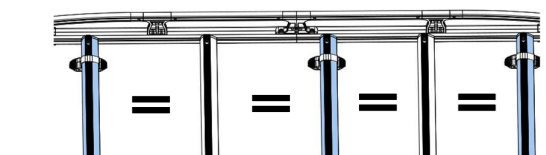
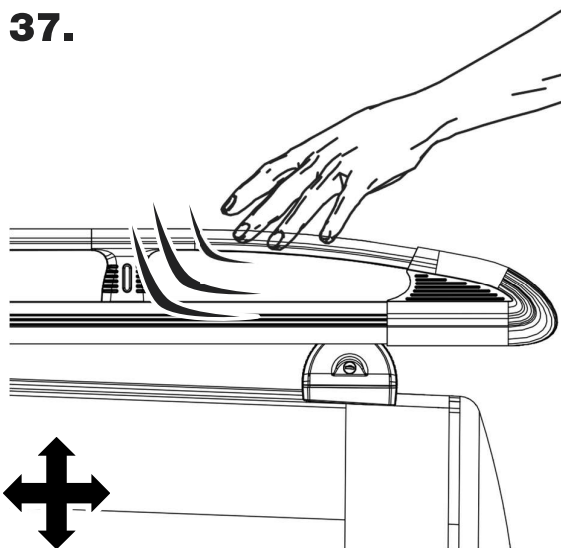
35.



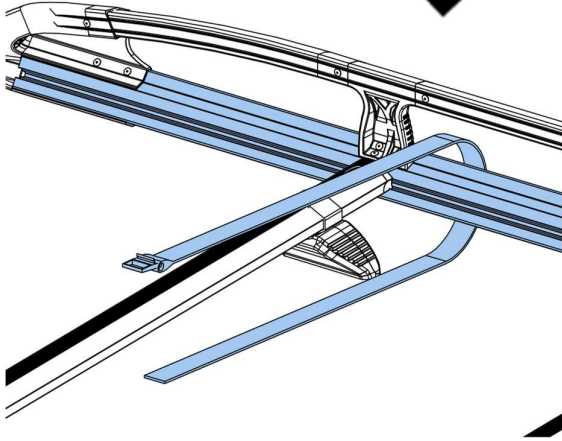
36.



37.



38.



39.

