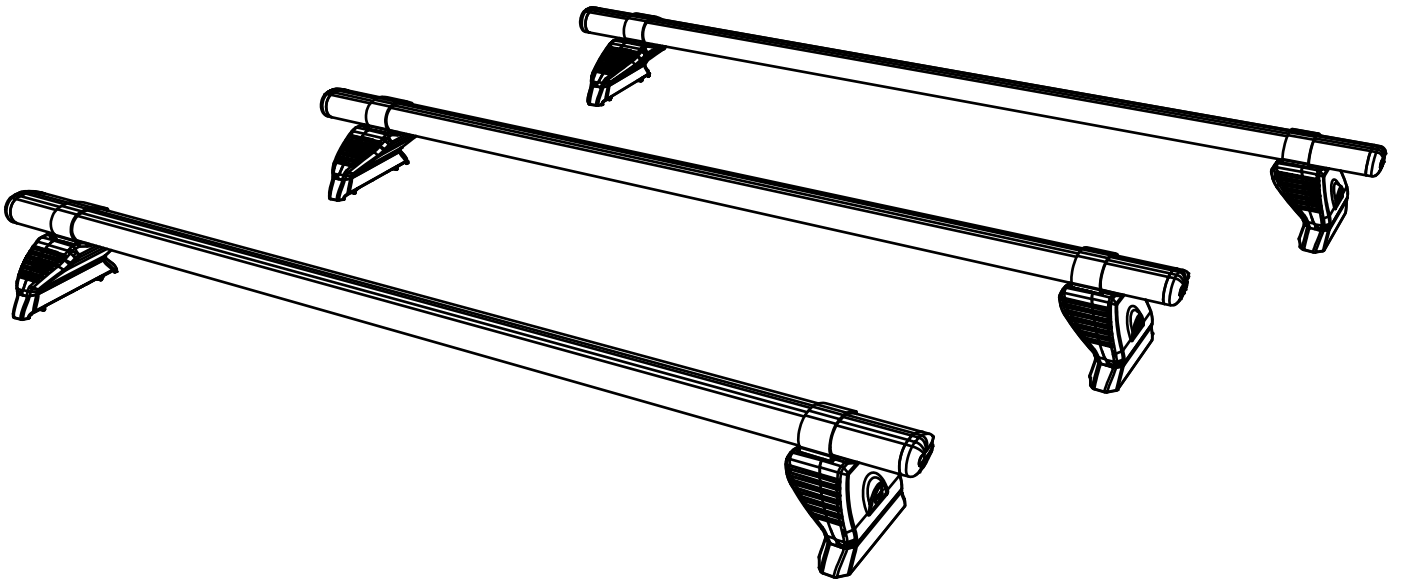


KA3PR/FL

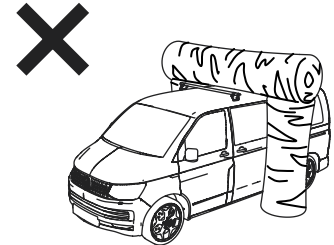
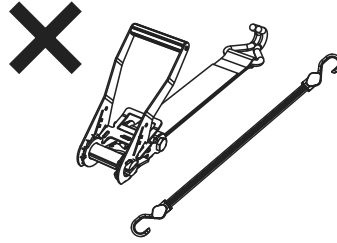
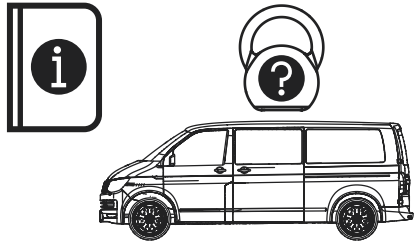
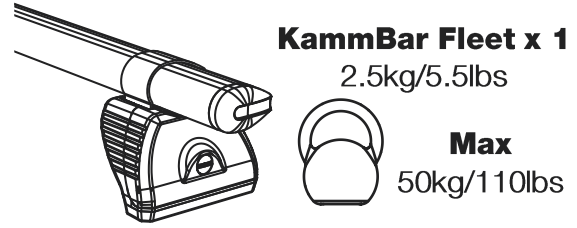
KammBar

Instructions

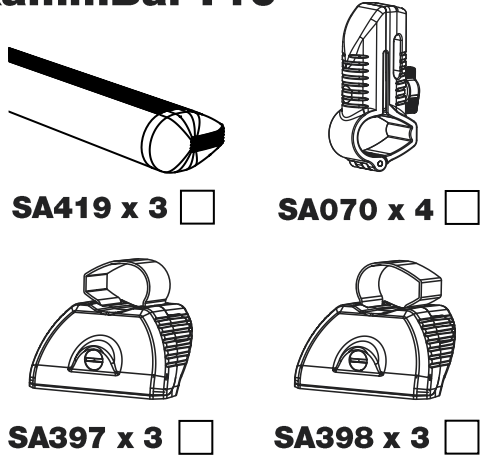


CITY CRASH (✓)

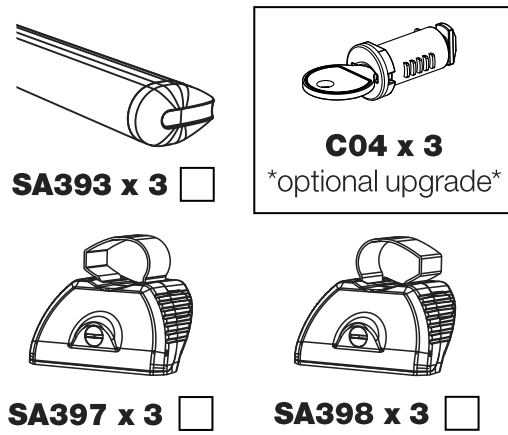
According to ISO/ PAS 11154:2006



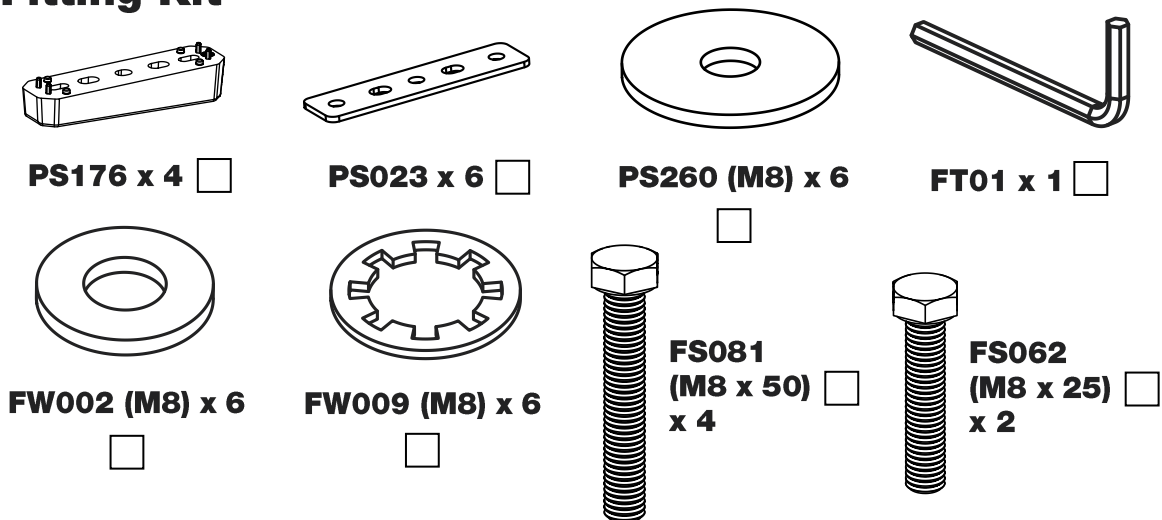
KammBar Pro



KammBar Fleet



Fitting Kit



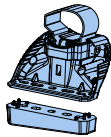
1.



2.



3.



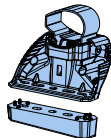
SA397



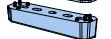
PS176



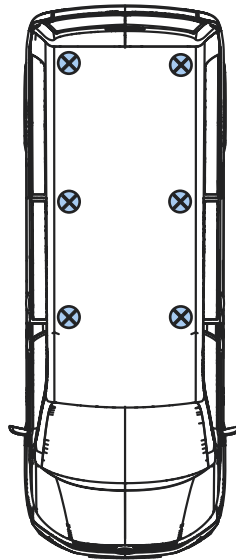
SA397



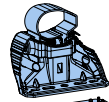
SA397



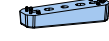
PS176



SA398



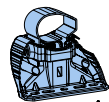
PS176



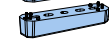
SA398



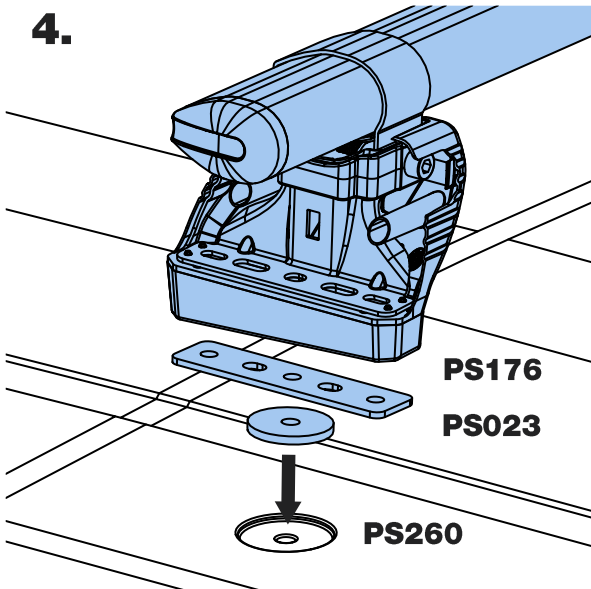
SA398



PS176



4.

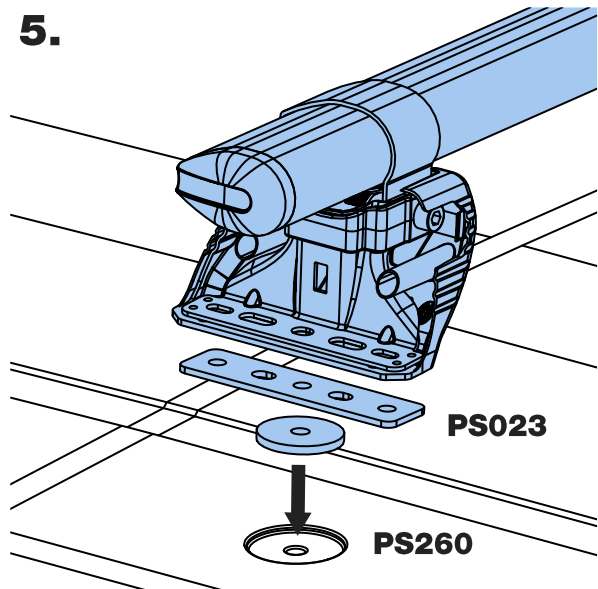


PS176

PS023

PS260

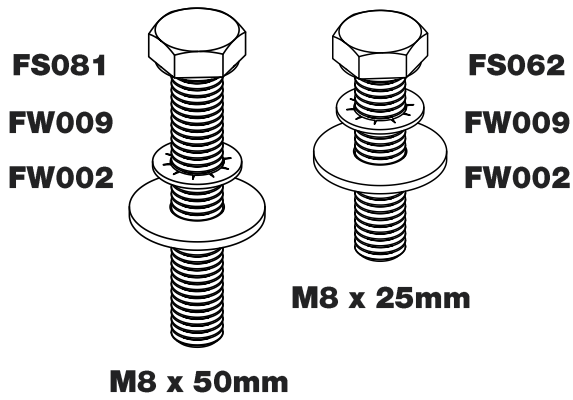
5.



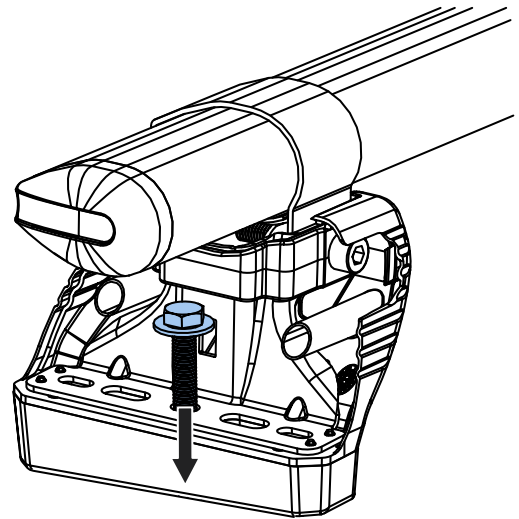
PS023

PS260

6.

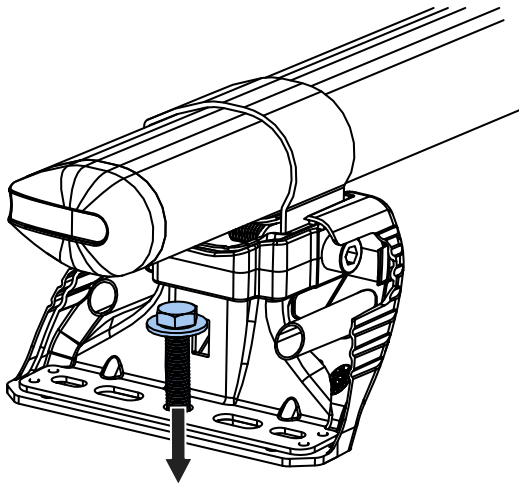


7.



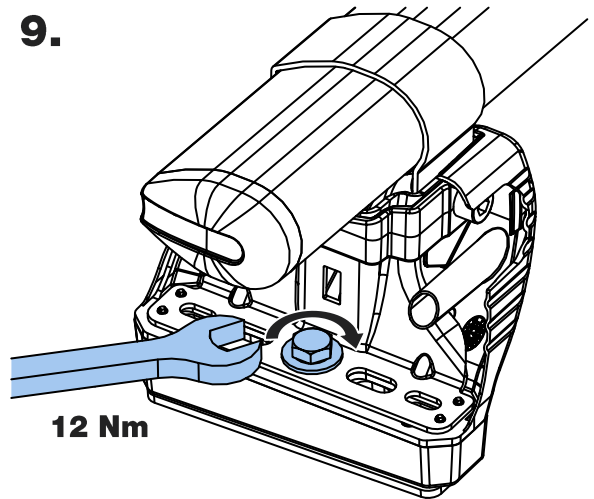
PS176 + M8 x 50mm

8.

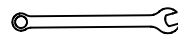


PS023 + M8 x 25mm

9.

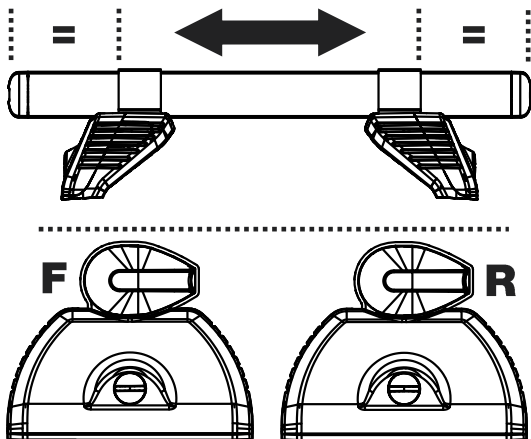


12 Nm

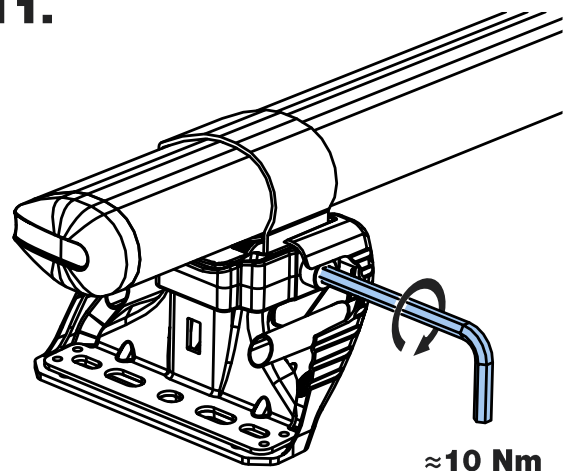


13mm

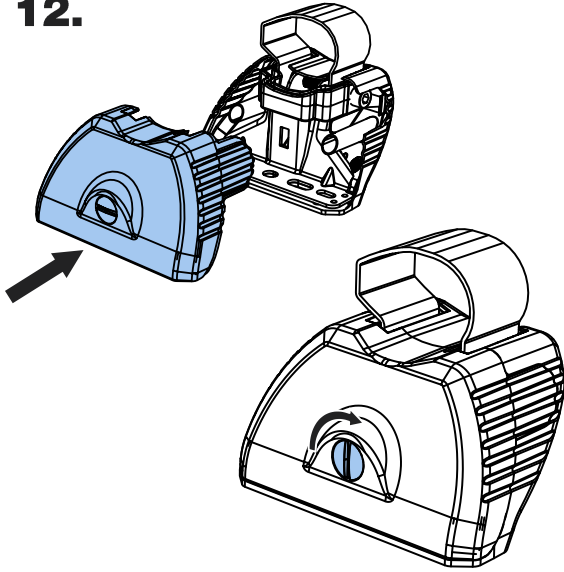
10.



11.



12.



13.

