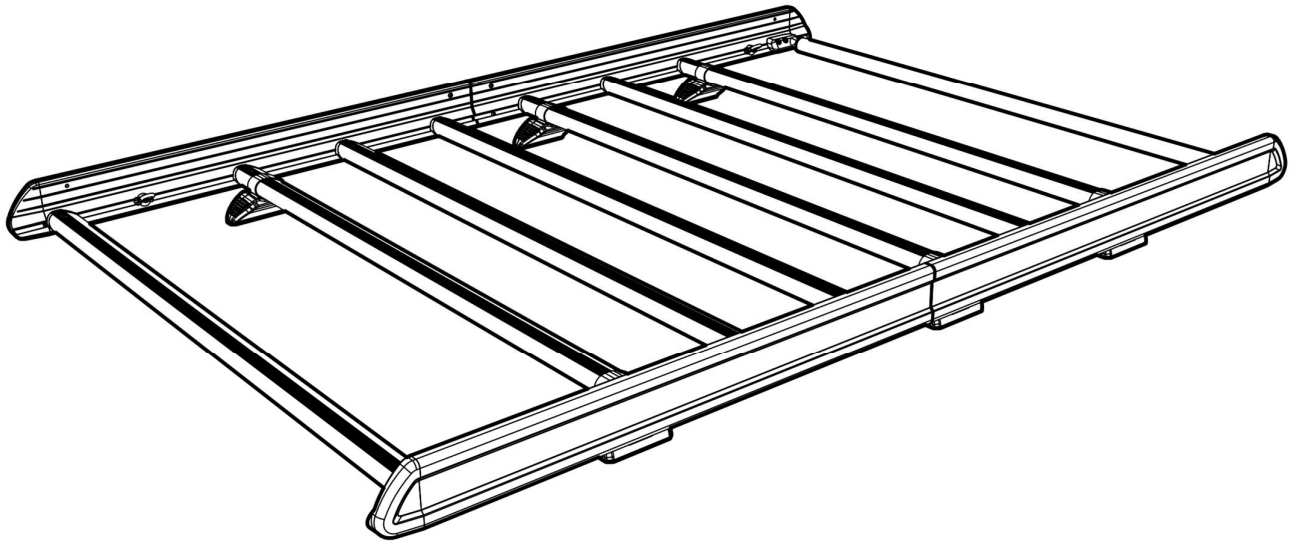


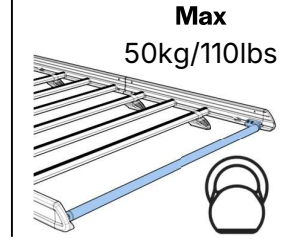
Issue:	Drawn By:	Checked By:	CRF No.:	Date:	Description:
a	SJ	KB	3609	21/10/25	First Issue
b					
c					
d					

KD3KE

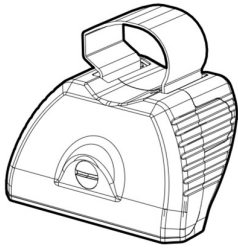
KammEdge.

Instructions

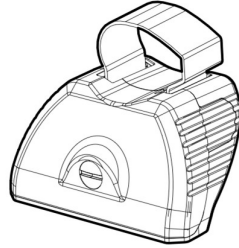




KammEdge.



SA397U x 3



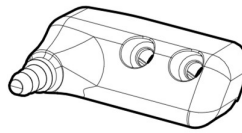
SA398U x 3



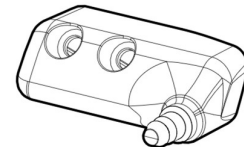
SA428/SA466 x 6



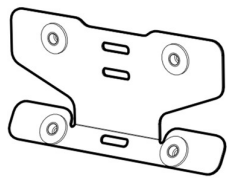
SA436 x 1



PS519 x 1



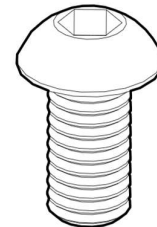
PS520 x 1



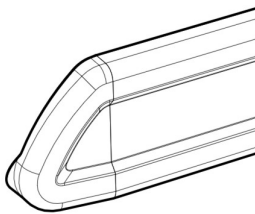
SA610 x 2



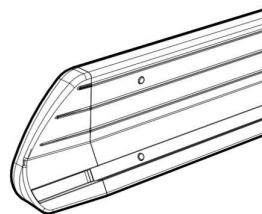
PS635 x 2



**FS323
(M6 x 16) x 8**



LSF (L) x 2

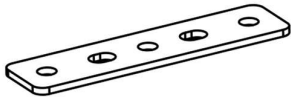


LSF (R) x 2

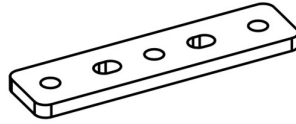


C04 x 6
optional upgrade

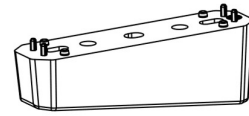
Fitting Kit



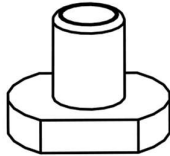
PS023 x 2



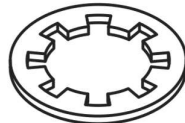
PS319 x 4



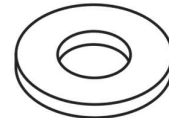
PS176 x 4



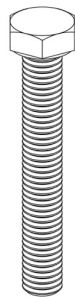
FN085 x 16



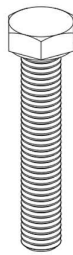
FW009 (M8) x 6



FW002 (M8) x 6



FS081
(M8 x 50) x 4



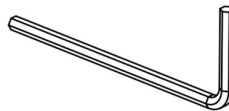
FS061
(M8 x 35) x 2



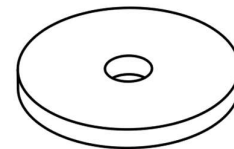
FS059
(M8 x 25) x 16



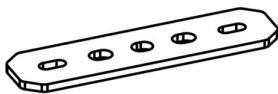
FT01 x 1



FT05 x 1



PS208 (M8) x 6



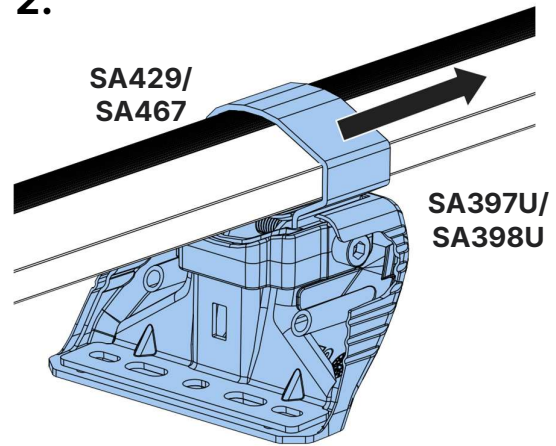
PS404 x 2



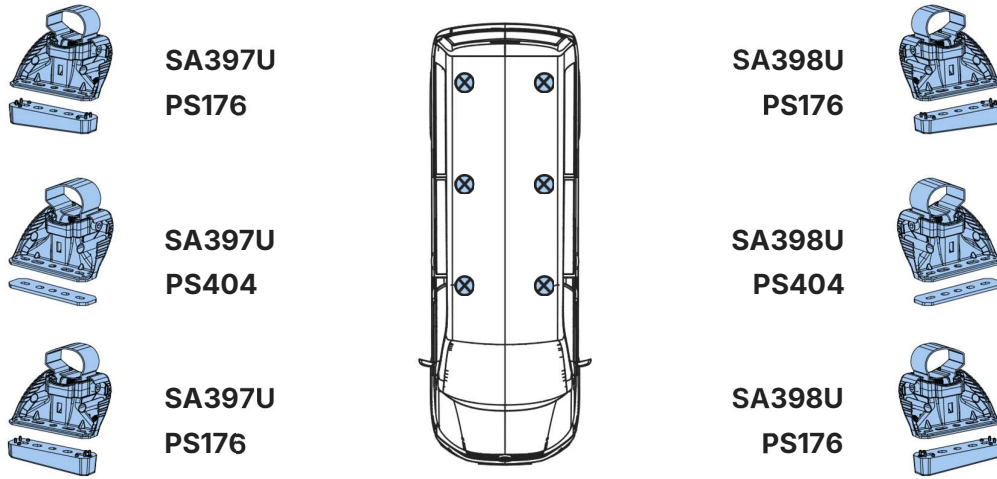
1.



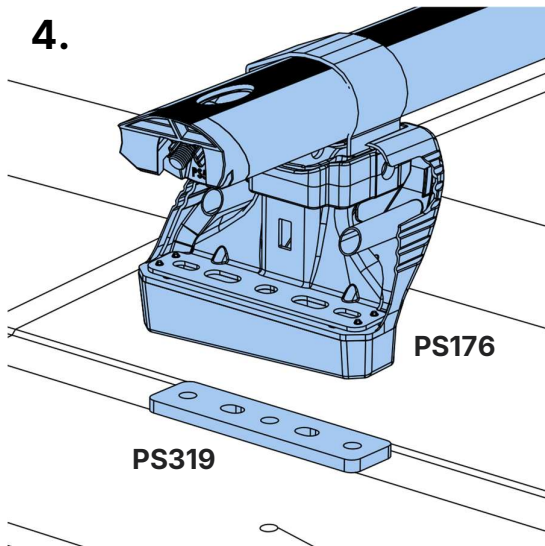
2.



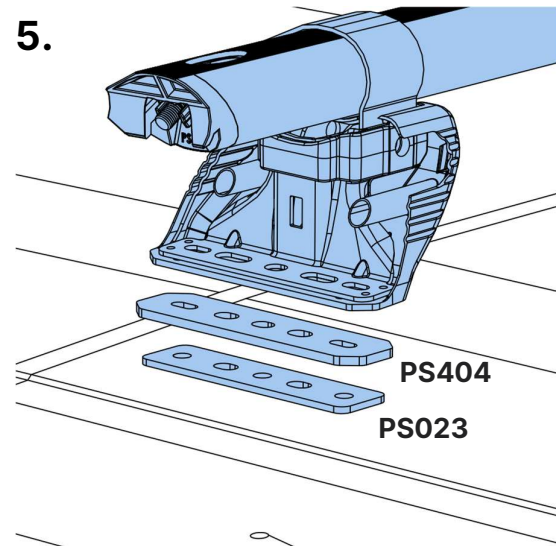
3.

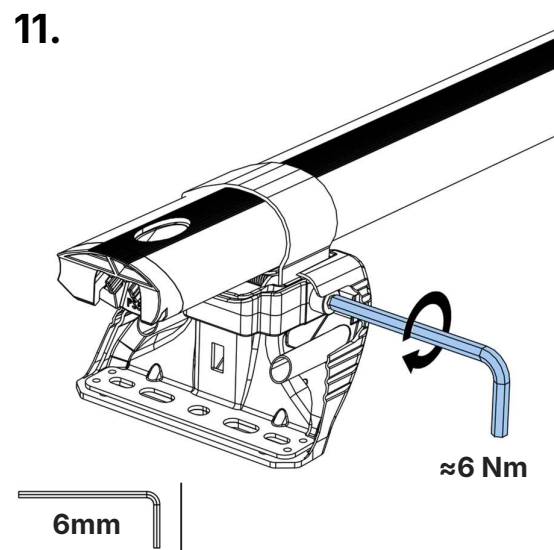
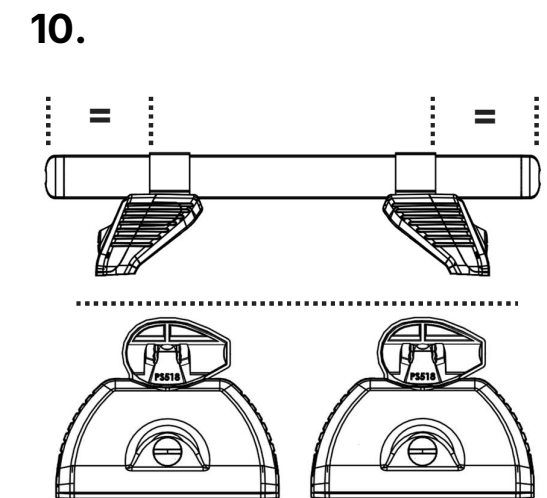
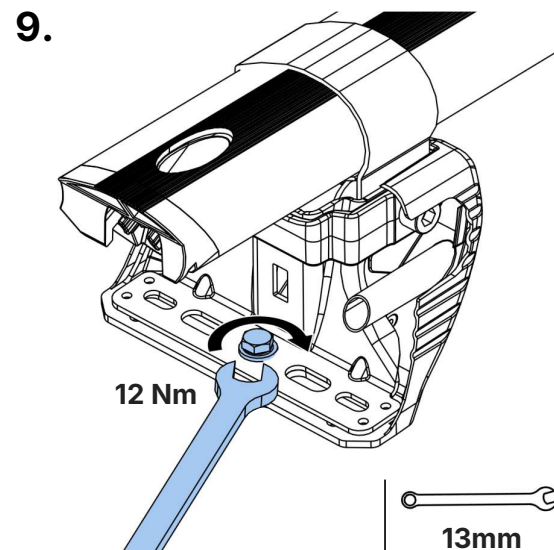
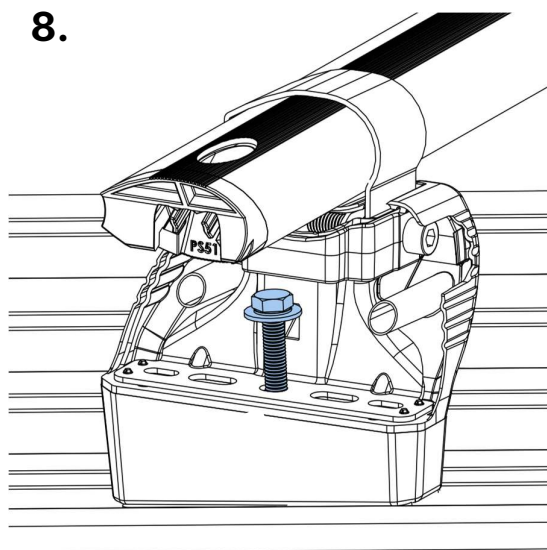
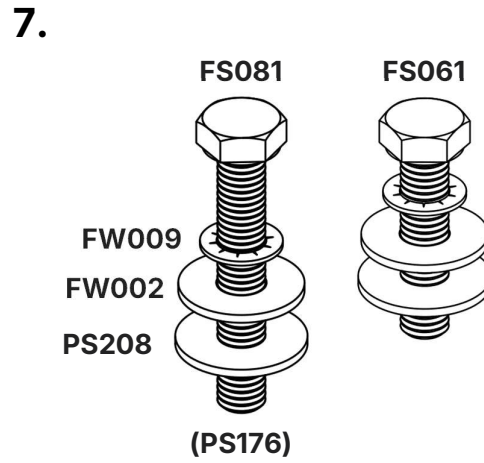
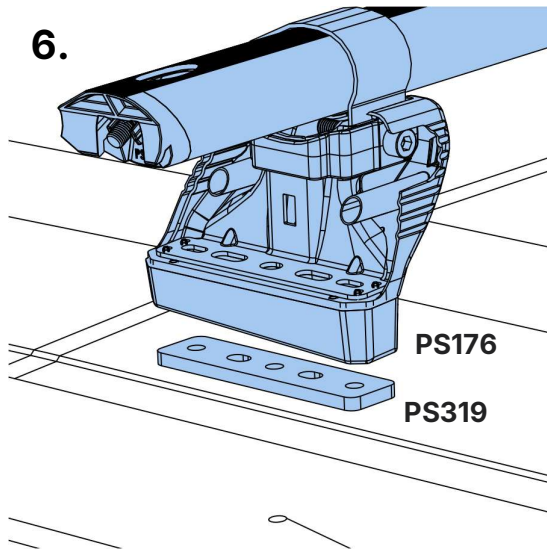


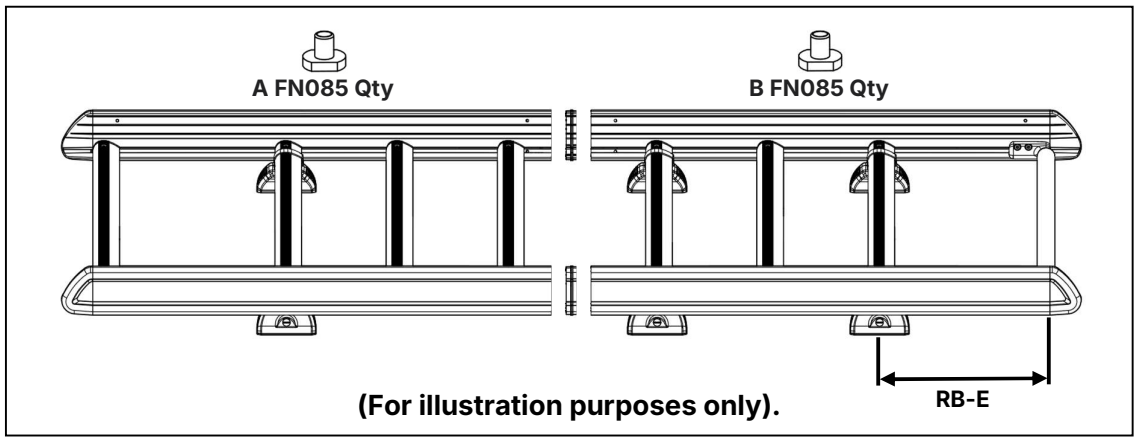
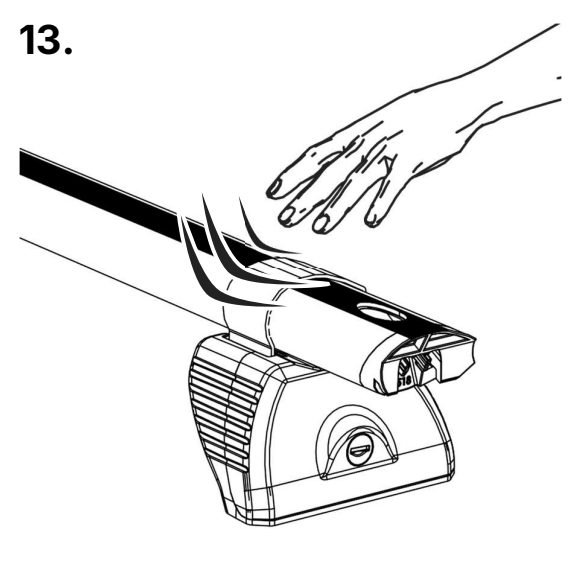
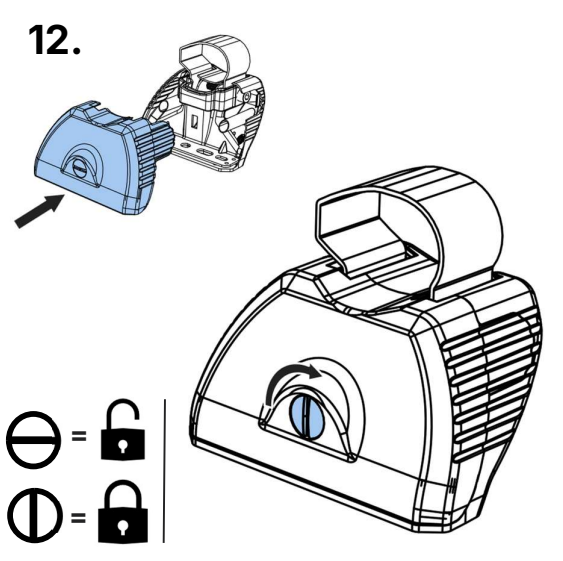
4.


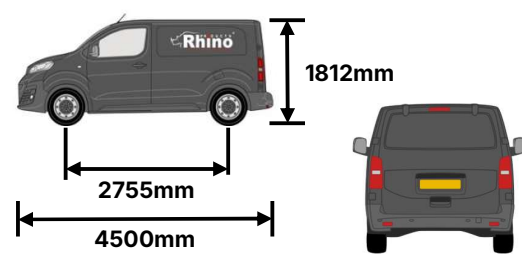


5.







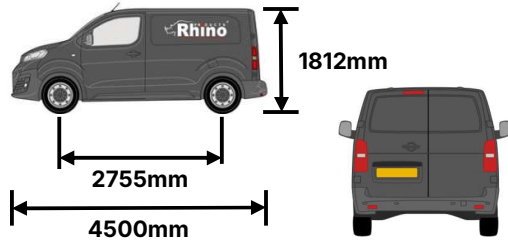
L676/LB676- Caddy 5 2020-, Connect 2024-, L1-H1 (Tailgate)		
<p>Max Load = 150kg/330lbs</p>  <p>L676/LB676 = 19kg/42lbs</p>		
A FN085 Qty	B FN085 Qty	Rear Bar – End (mm)
3	5	110

L677/LB677- Caddy 5 2020-, Connect 2024-, L1-H1 (Twin)

Max Load = 150kg/330lbs

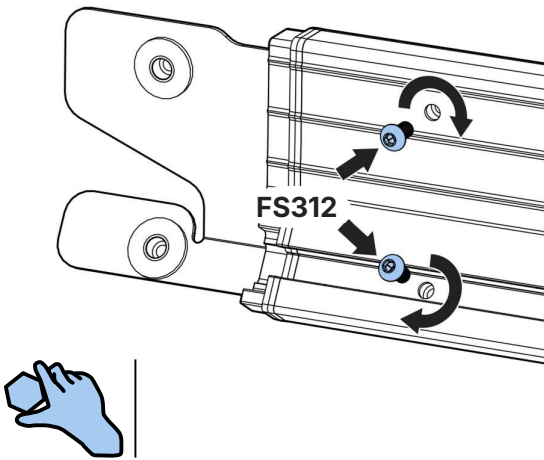


L677/LB677 = 19kg/42lbs

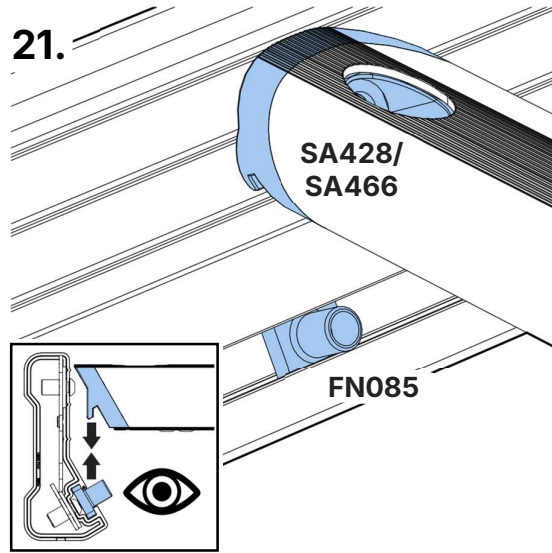


A FN085 Qty	B FN085 Qty	Rear Bar – End (mm)
3	5	320

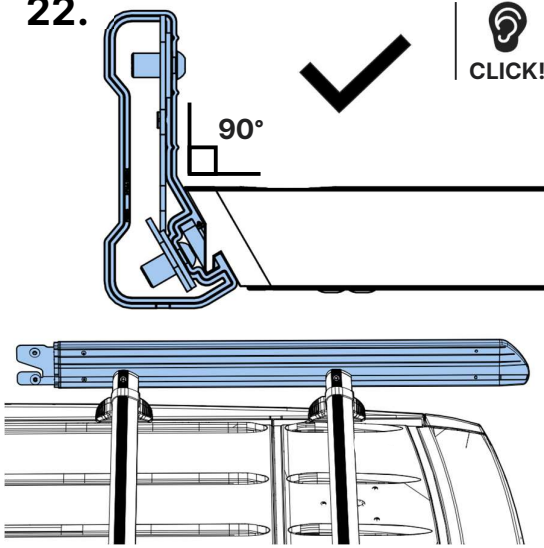
20.



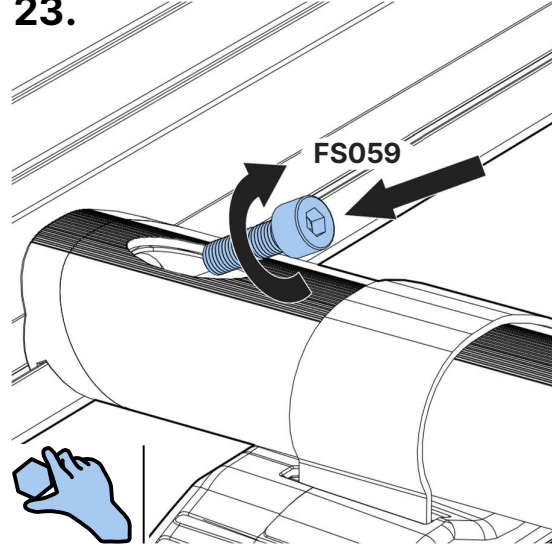
21.



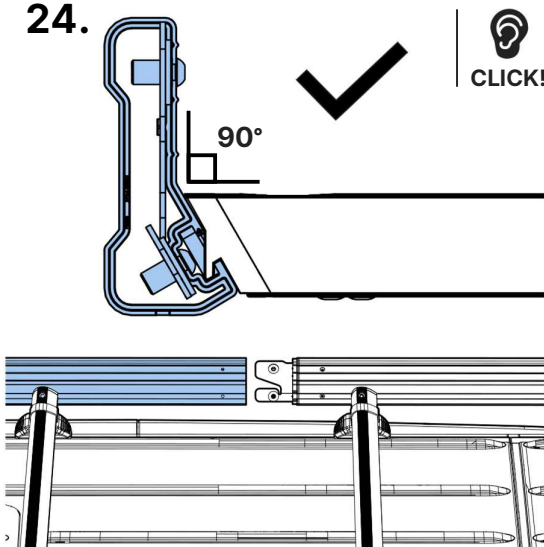
22.



23.



24.



25.

