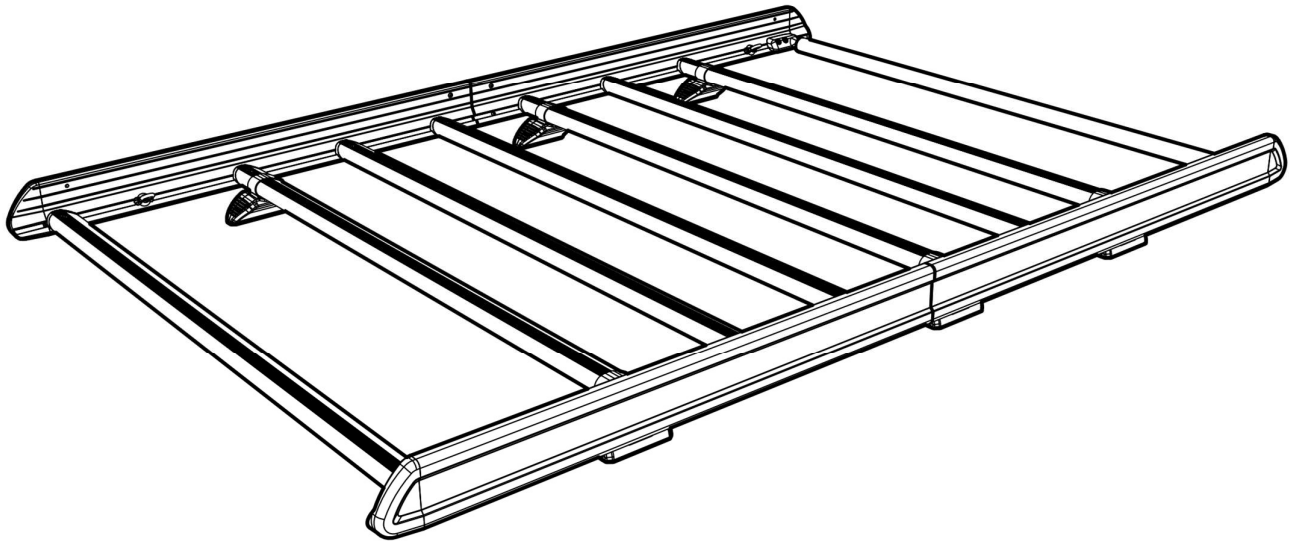


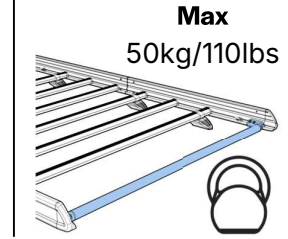
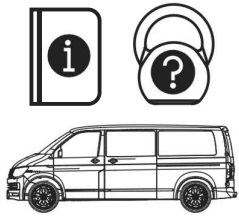
<b>Issue:</b>	<b>Drawn By:</b>	<b>Checked By:</b>	<b>CRF No.:</b>	<b>Date:</b>	<b>Description:</b>
a	SJ	KB	3609	21/10/25	First Issue
b					
c					
d					

# **KD4KE**

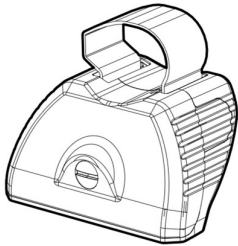
# **KammEdge.**

## **Instructions**

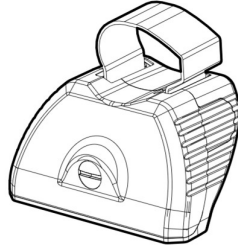




**KammEdge.**



**SA397U x 4**



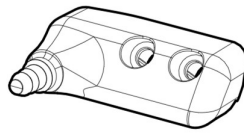
**SA398U x 4**



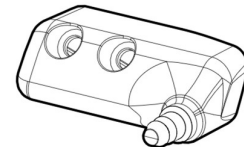
**SA428/SA466 x 6**



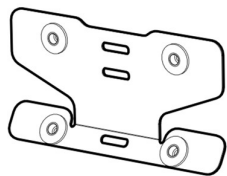
**SA436 x 1**



**PS519 x 1**



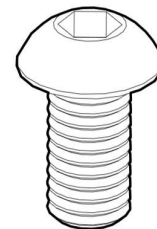
**PS520 x 1**



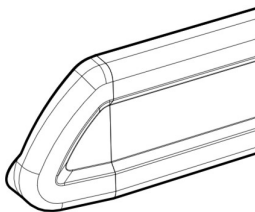
**SA610 x 2**



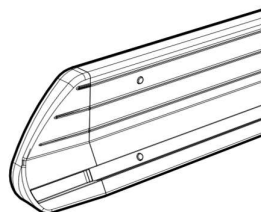
**PS635 x 2**



**FS323  
(M6 x 16) x 8**



**LSF (L) x 2**

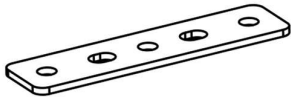


**LSF (R) x 2**

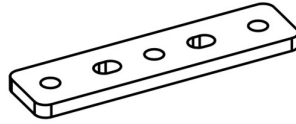


**C04 x 8**  
\*optional upgrade\*

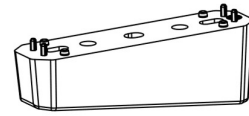
# Fitting Kit



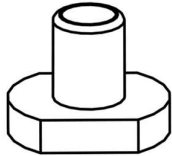
PS023 x 4



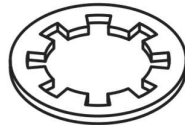
PS319 x 4



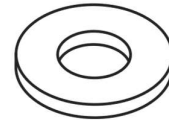
PS176 x 4



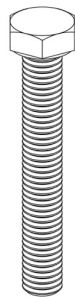
FN085 x 16



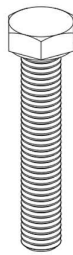
FW009 (M8) x 8



FW002 (M8) x 8



FS081  
(M8 x 50) x 4



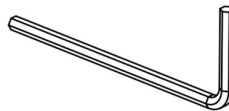
FS061  
(M8 x 35) x 4



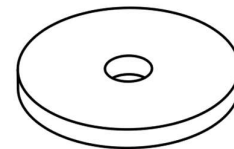
FS059  
(M8 x 25) x 16



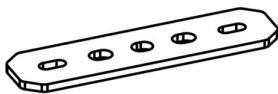
FT01 x 1



FT05 x 1



PS208 (M8) x 8



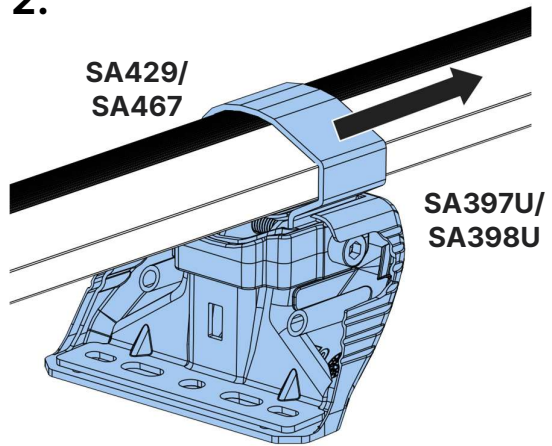
PS404 x 4



1.



2.



3.



SA397U  
PS176



SA397U

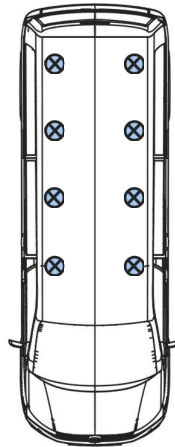


SA397U



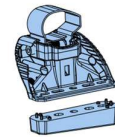
SA397U  
PS176

R



F

SA398U  
PS176



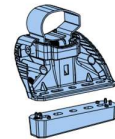
SA398U



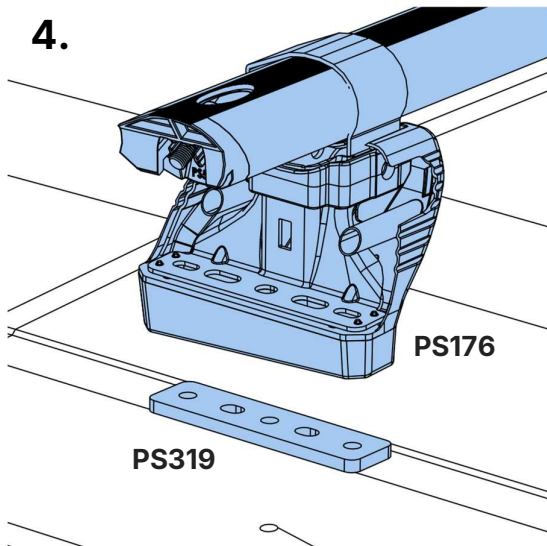
SA398U



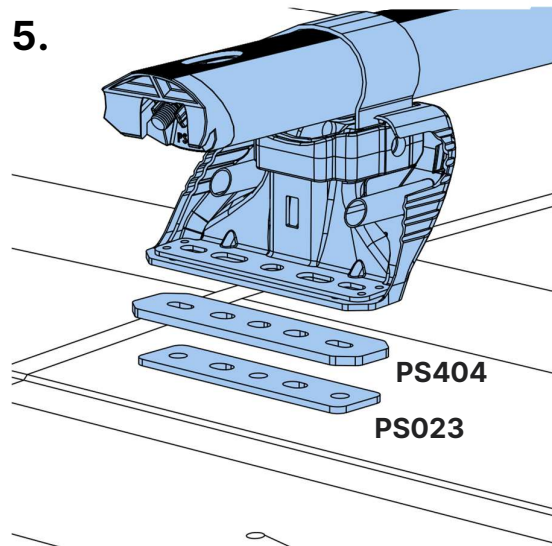
SA398U  
PS176

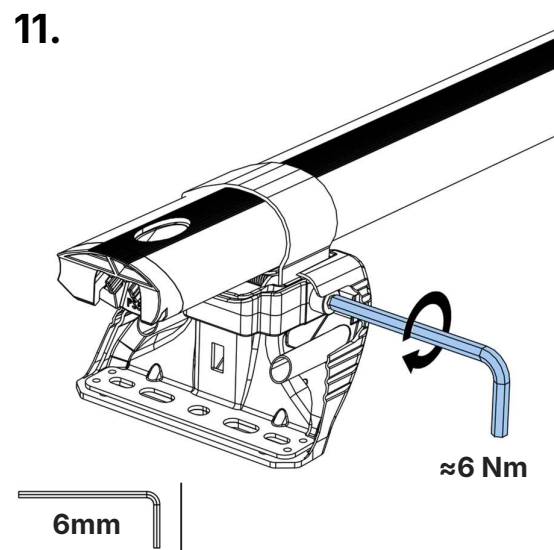
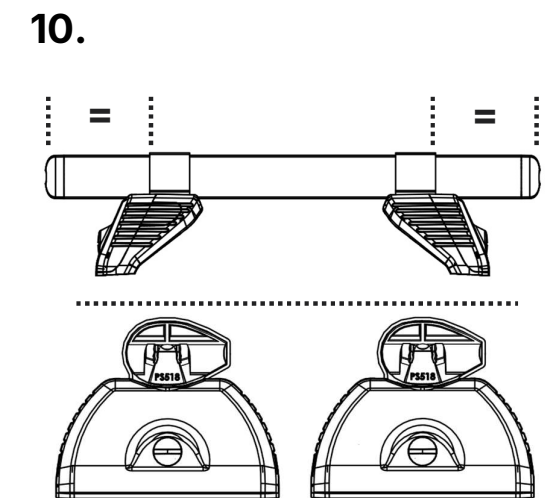
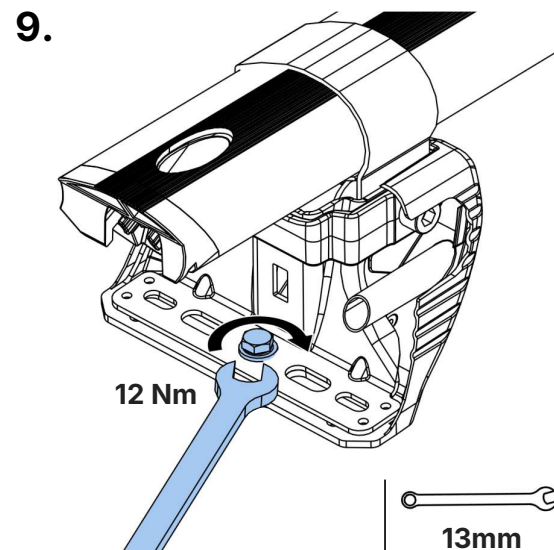
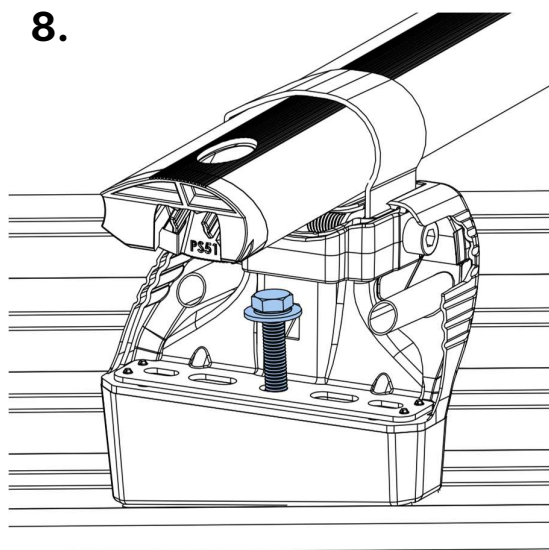
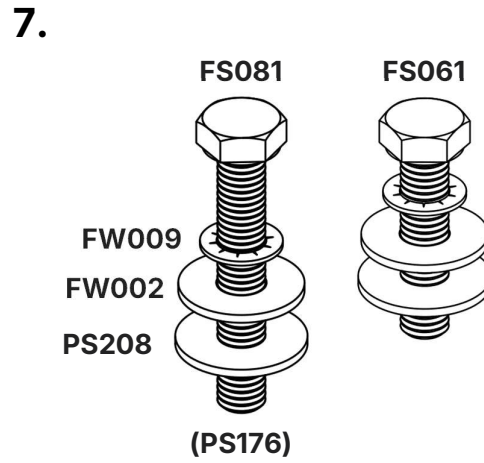
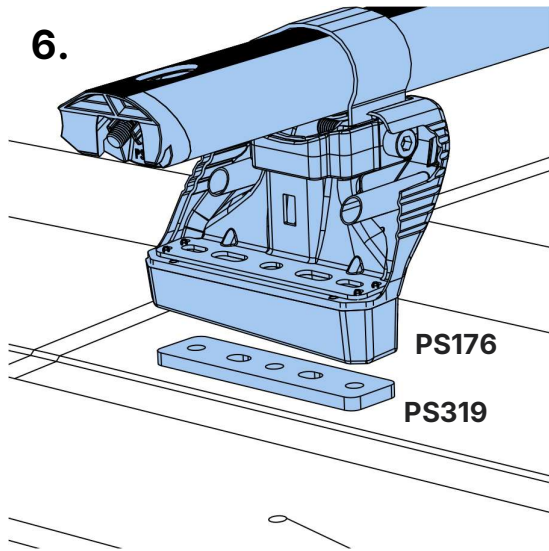


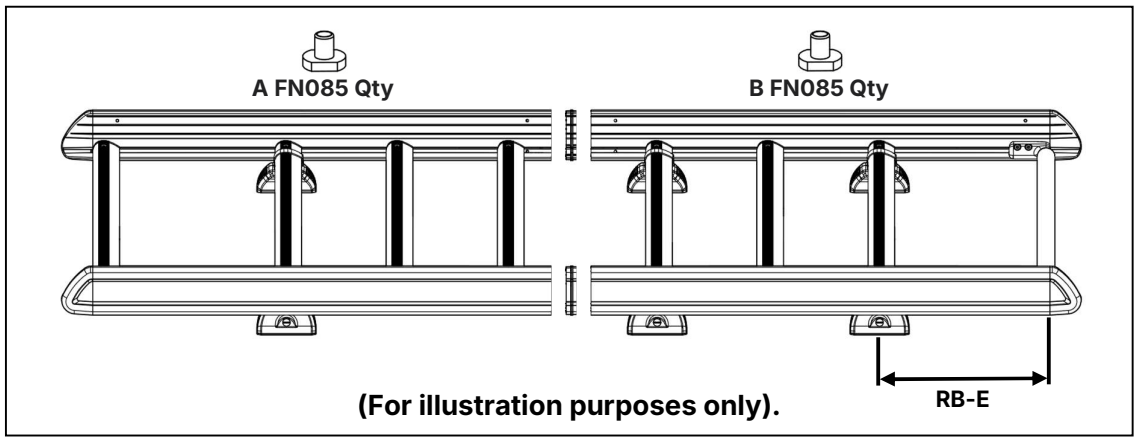
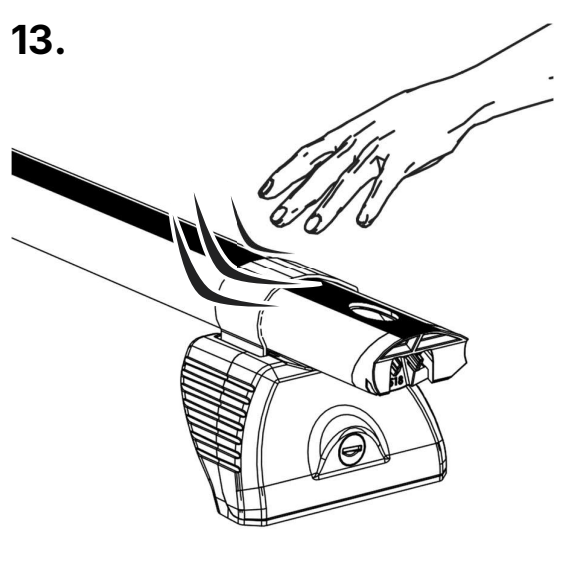
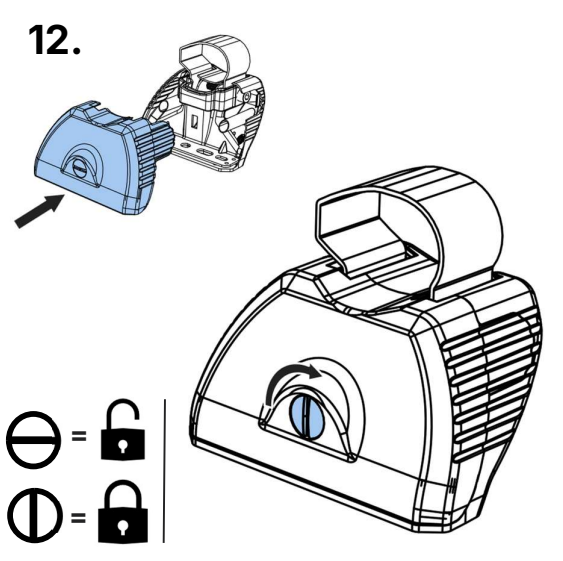
4.



5.







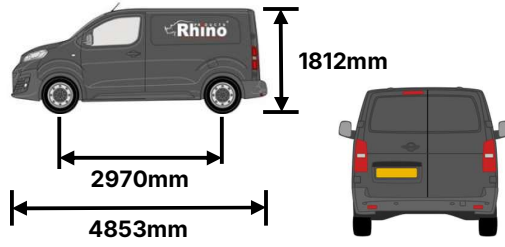
L684/LB684- Caddy 5 2020-, Connect 2024-, L2-H1 (Tailgate)		
<p>Max Load = 150kg/330lbs</p> <p>L684/LB684 = 21kg/46lbs</p>		
<b>A FN085 Qty</b>	<b>B FN085 Qty</b>	<b>Rear Bar – End (mm)</b>
3	5	110

## L683/LB683- Caddy 5 2020-, Connect 2024-, L2-H1 (Twin)

Max Load = 150kg/330lbs



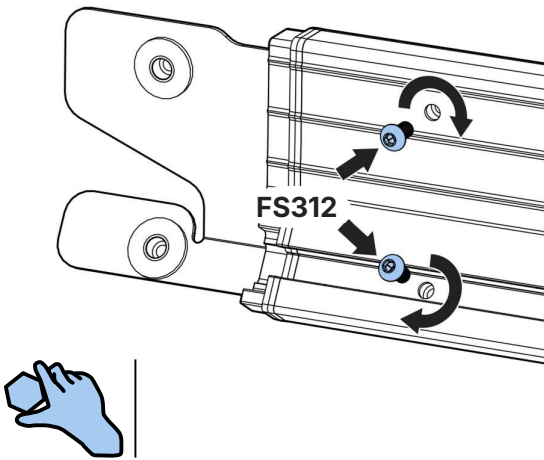
L683/LB683 = 22kg/48lbs



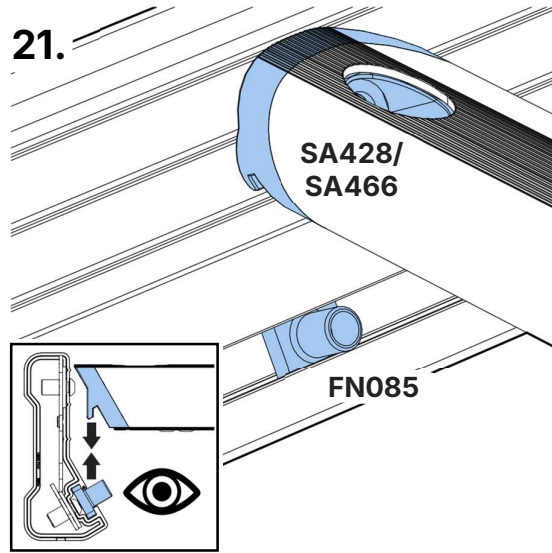
A FN085 Qty	B FN085 Qty	Rear Bar – End (mm)
3	5	320



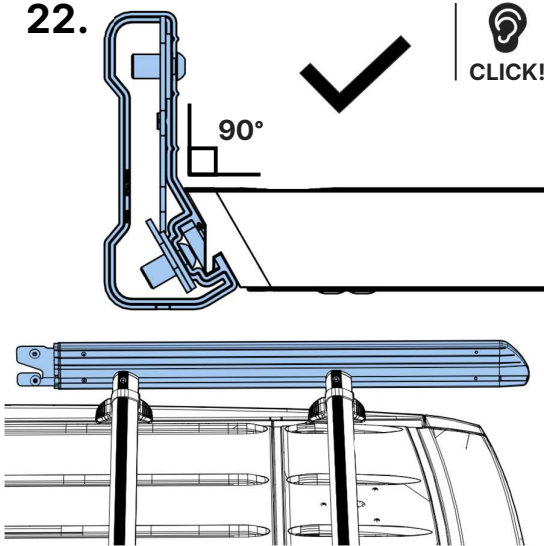
20.



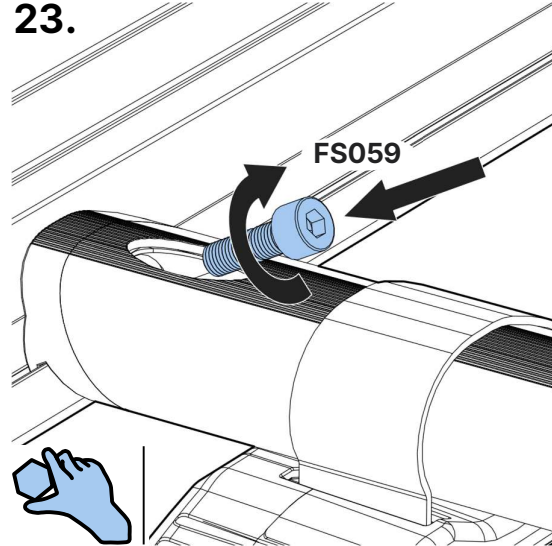
21.



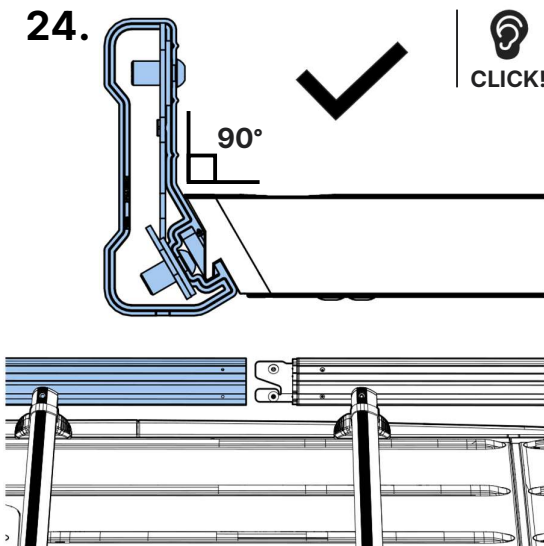
22.



23.



24.



25.

