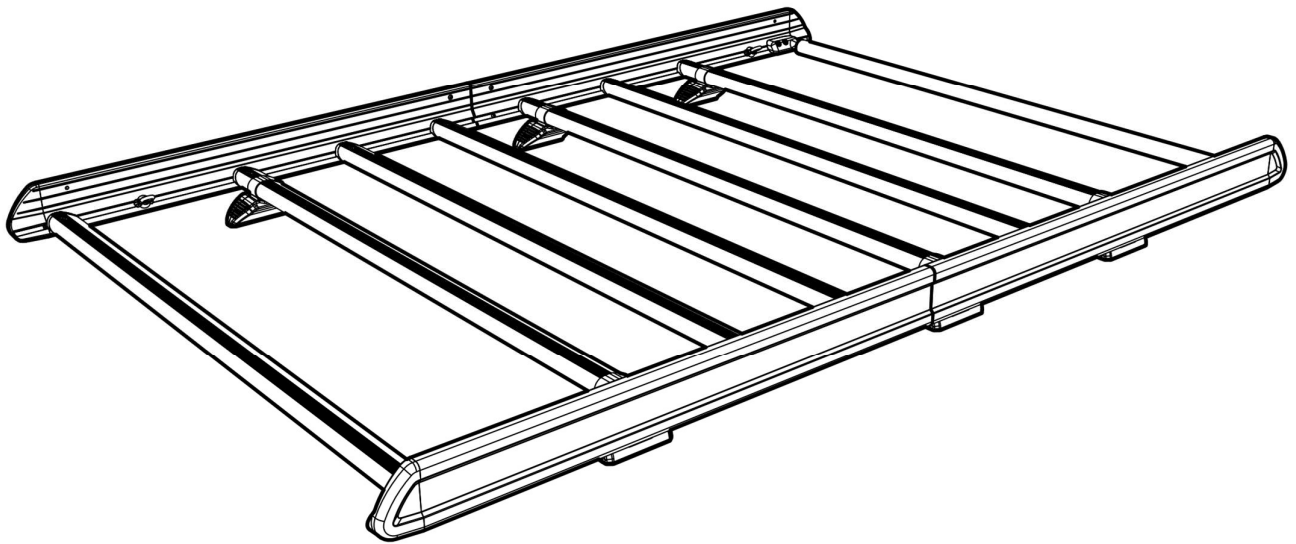


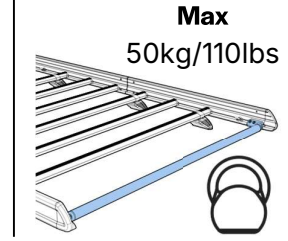
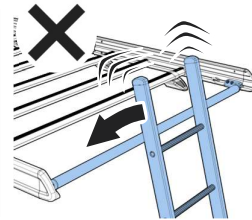
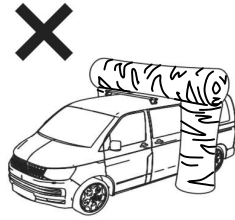
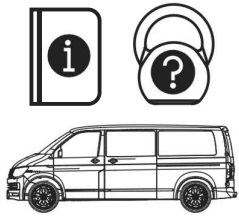
<b>Issue:</b>	<b>Drawn By:</b>	<b>Checked By:</b>	<b>CRF No.:</b>	<b>Date:</b>	<b>Description:</b>
a	SJ	KB	3609	21/10/25	First Issue
b					
c					
d					

# MC5KE

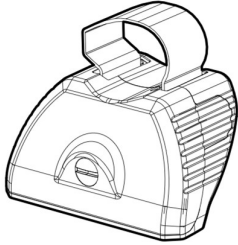
# KammEdge.

## Instructions

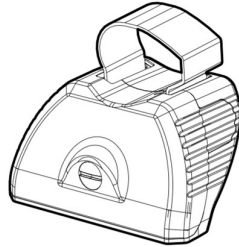




**KammEdge.**



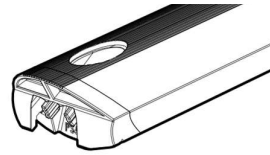
**SA397U x 5**



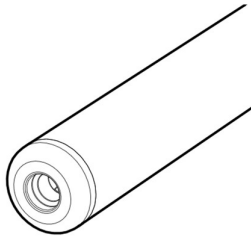
**SA398U x 5**



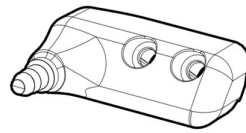
**C04 x 10**  
\*optional upgrade\*



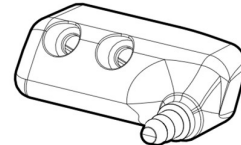
**SA430/SA468 x 11**



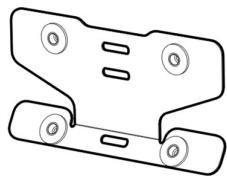
**SA438 x 1**



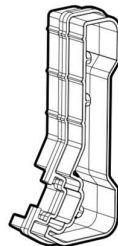
**PS519 x 1**



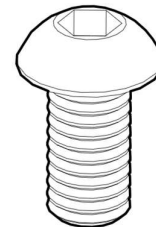
**PS520 x 1**



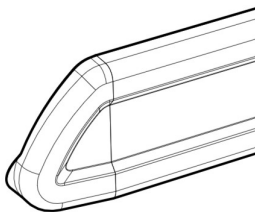
**SA610 x 4**



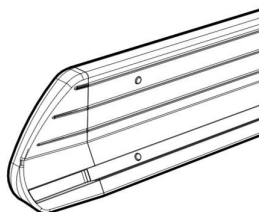
**PS635 x 4**



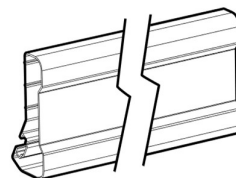
**FS323**  
**(M6 x 16) x 16**



**LSF (L) x 2**



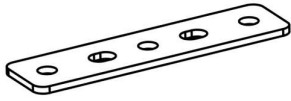
**LSF (R) x 2**



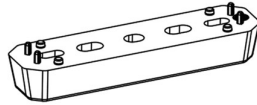
**LSF (M) x 2**



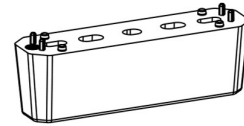
## Fitting Kit



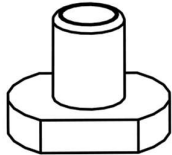
PS023 x 10



PS183 x 10



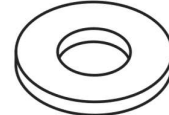
PS325 x 10



FN085 x 26



FN006 (M8) x 20



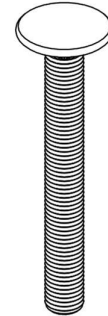
FW002 (M8) x 20



FS107  
(M8 x 75) x 10



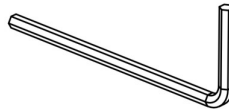
FS081  
(M8 x 50) x 10



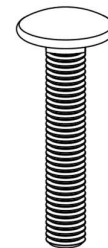
FS293  
(M8 x 65) x 20



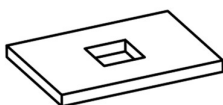
FT01 x 1



FT05 x 1



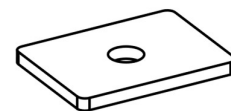
FS134  
(M8 x 45) x 20



MS209 x 20



FS059  
(M8 x 25) x 26



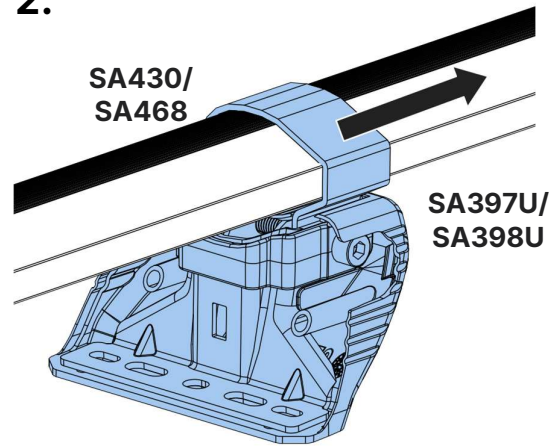
PS020 x 10



1.



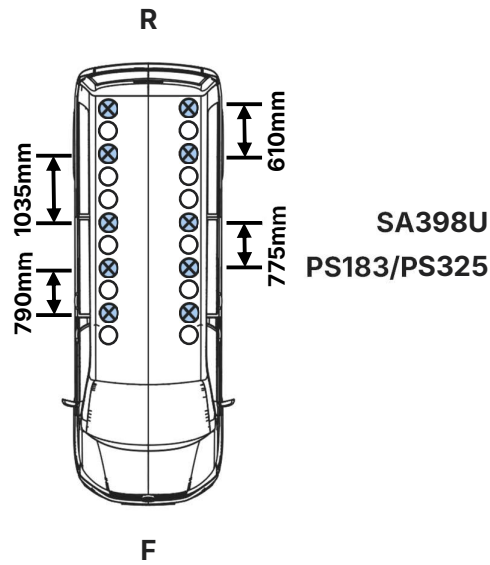
2.



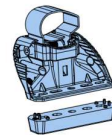
3a.



SA397U  
PS183/PS325

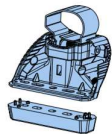


SA398U  
PS183/PS325

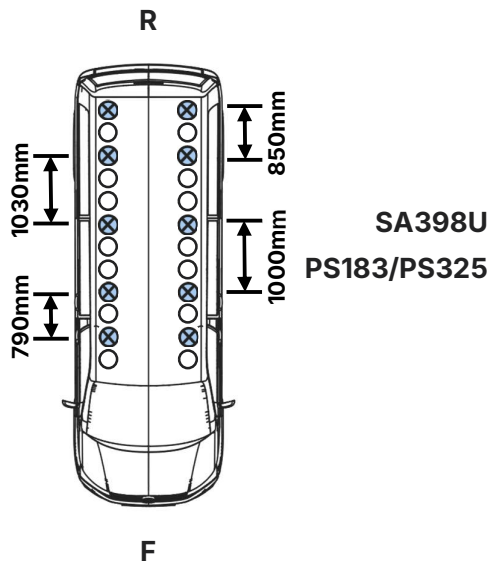


**!** SPRINTER/CRAFTER,  
L3-H2, 2006-

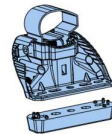
3b.



SA397U  
PS183/PS325

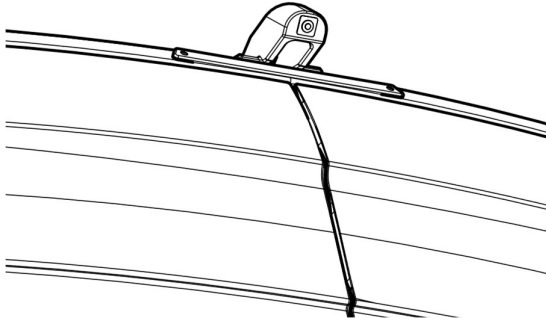
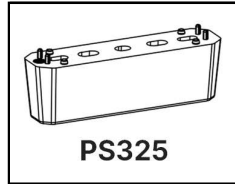


SA398U  
PS183/PS325

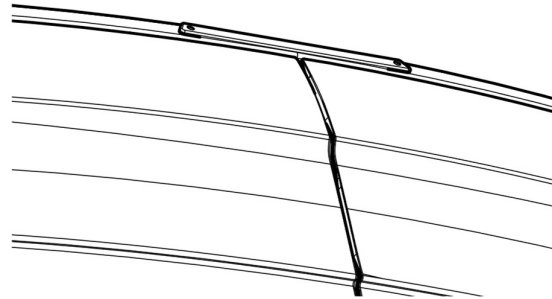
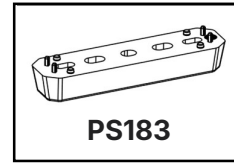


**!** SPRINTER/CRAFTER,  
L4-H2, 2006-

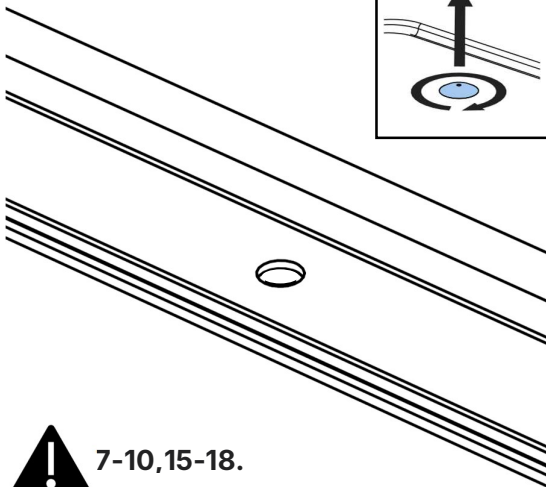
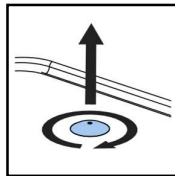
4.



5.

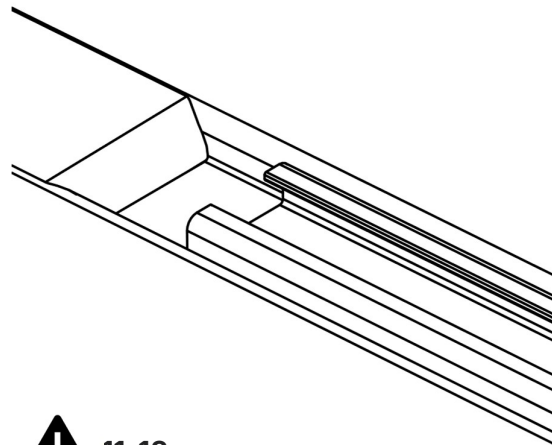


6a.



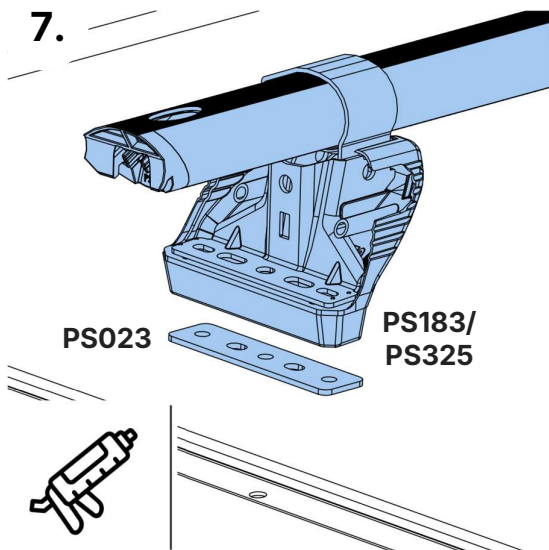
 7-10,15-18.

6b.

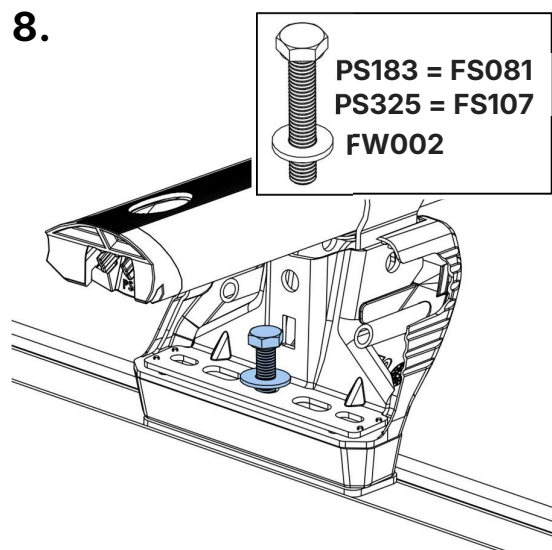


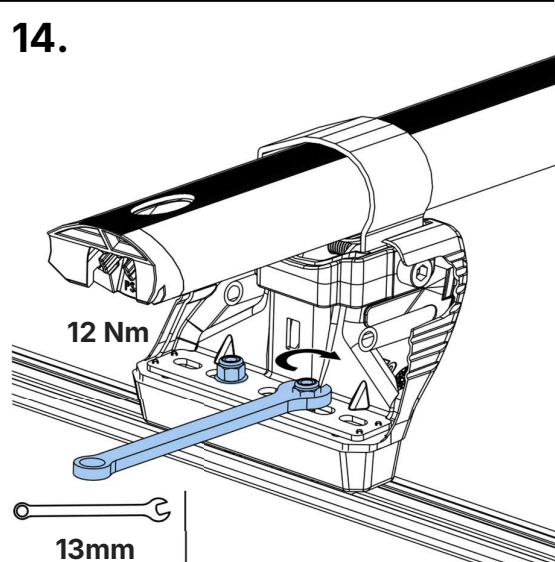
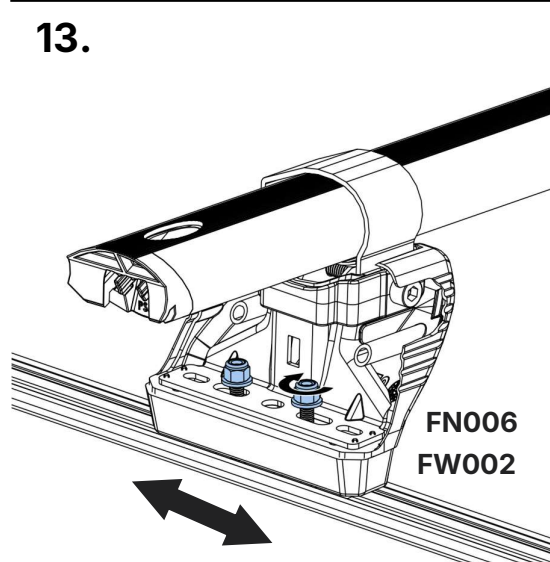
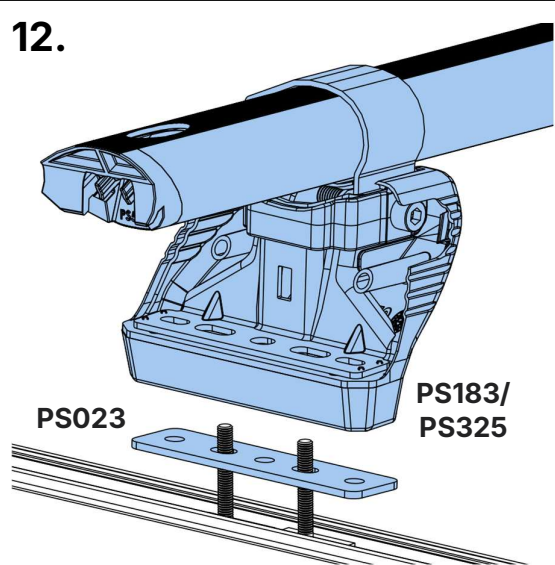
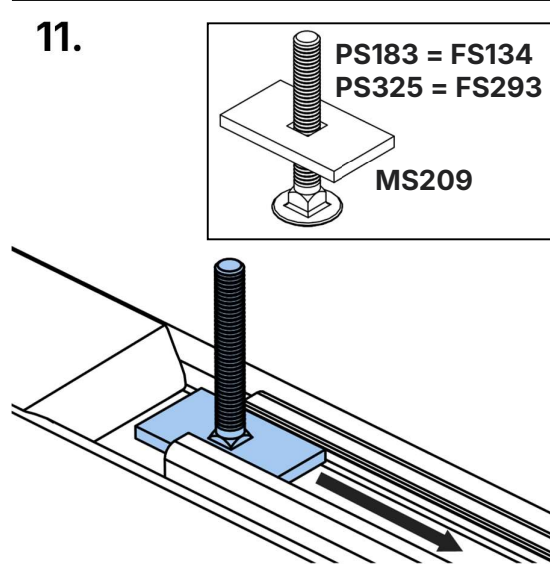
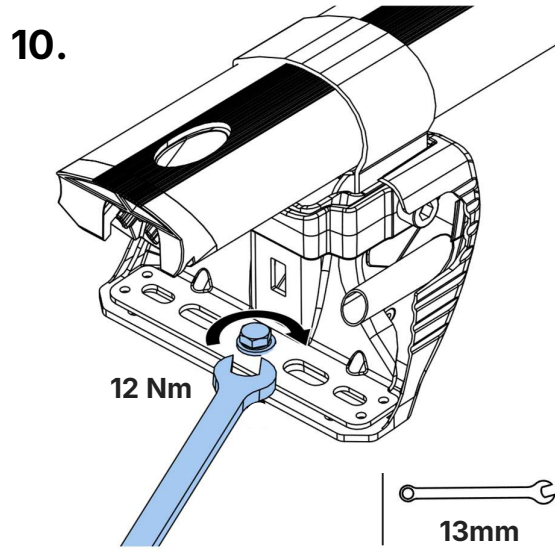
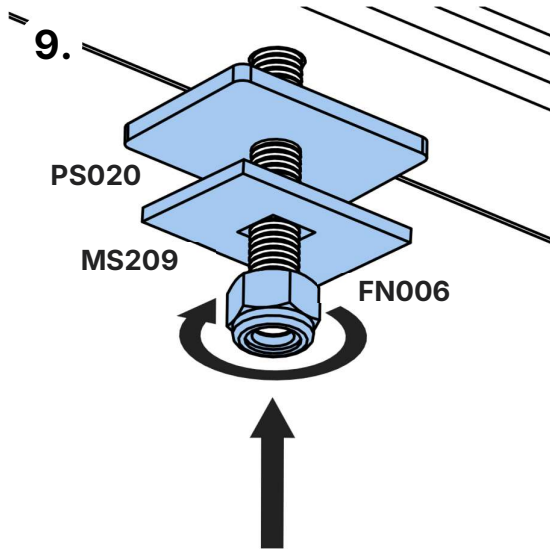
 11-18.

7.

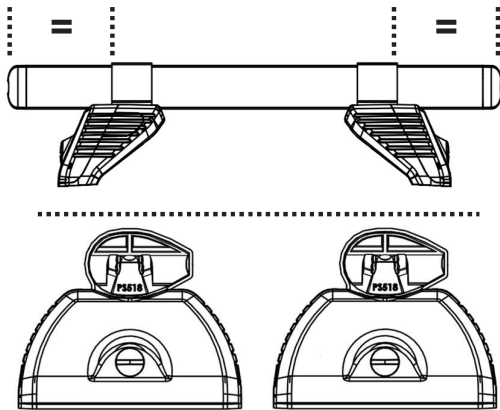


8.

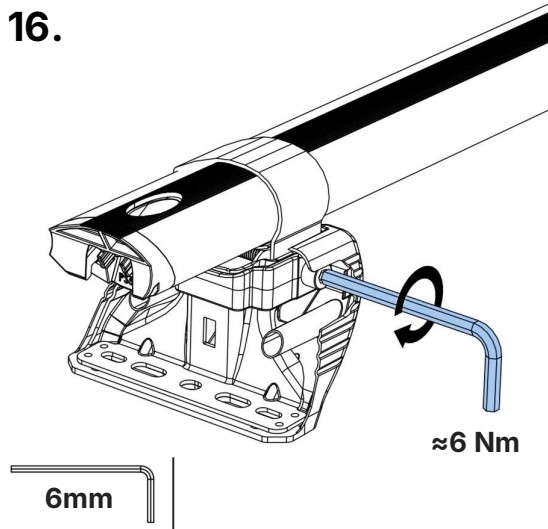




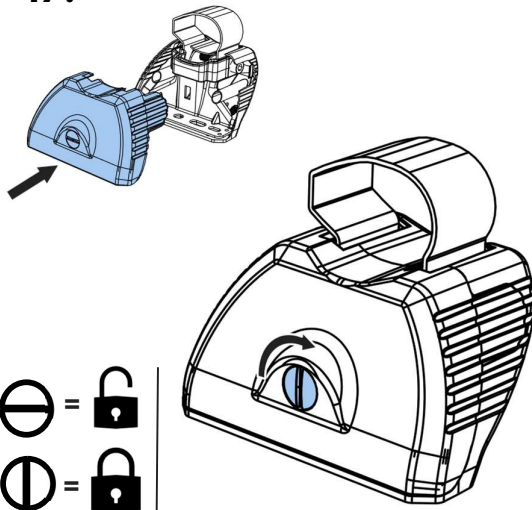
15.



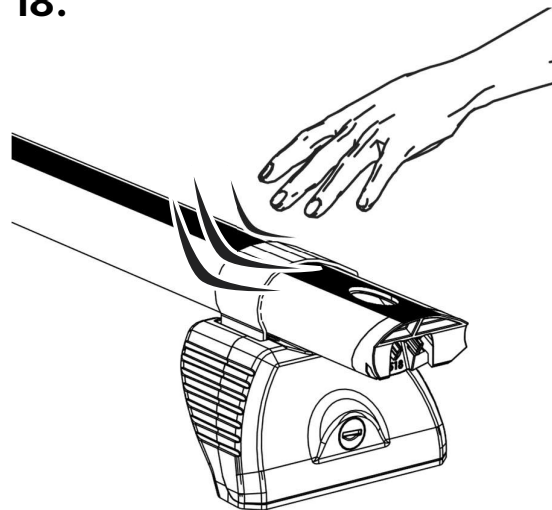
16.

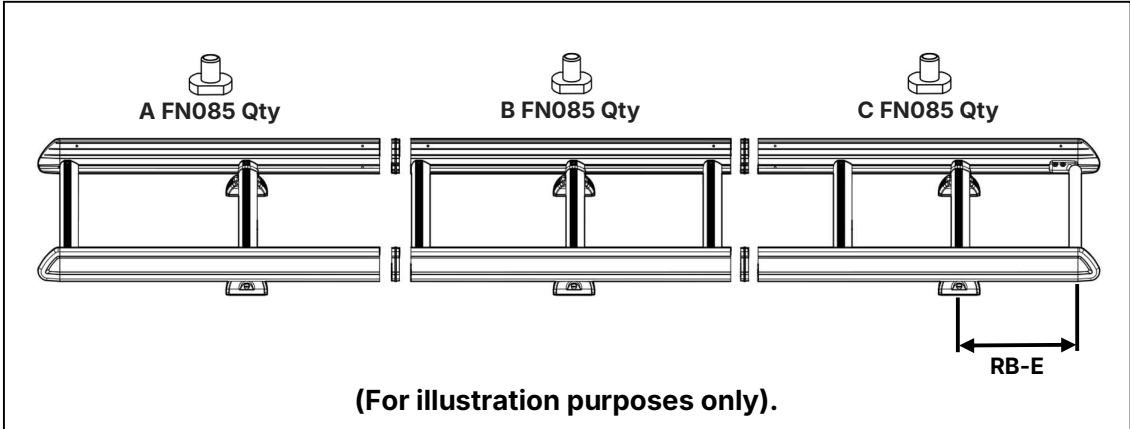


17.



18.



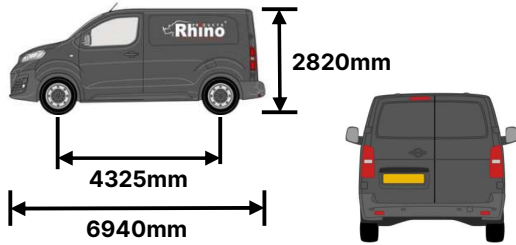


### L521/LB521- Sprinter/Crafter 2006-, L3-H2 (Twin)

Max Load = 150kg/330lbs



L521/LB521 = 40kg/89lbs



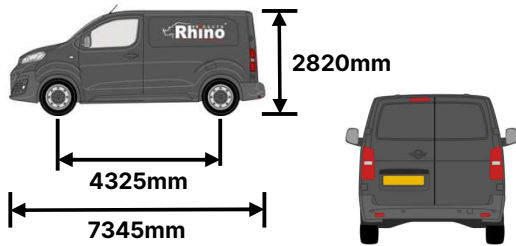
A FN085 Qty	B FN085 Qty	C FN085 Qty	Rear Bar – End (mm)
4	4	5	510

### L522/LB522- Sprinter/Crafter 2006-, L4-H2 (Twin)

Max Load = 150kg/330lbs



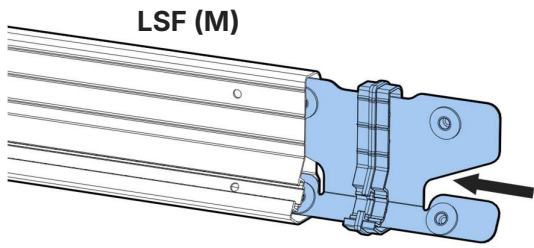
L522/LB522 = 42kg/93lbs



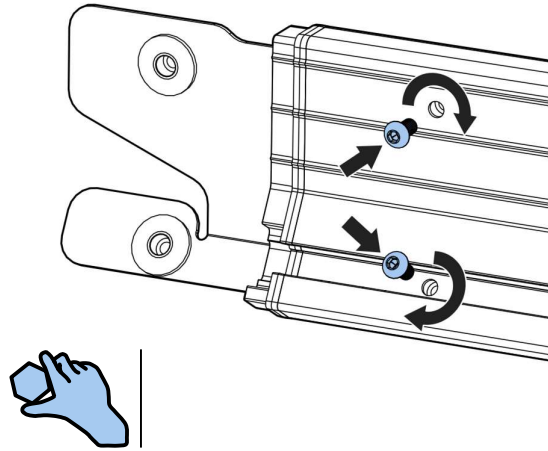
A FN085 Qty	B FN085 Qty	C FN085 Qty	Rear Bar – End (mm)
3	4	6	490



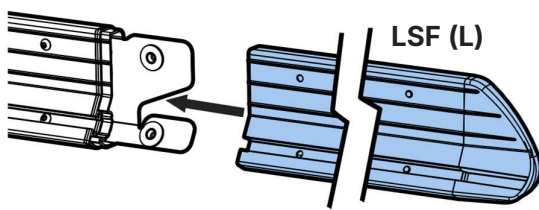
25.



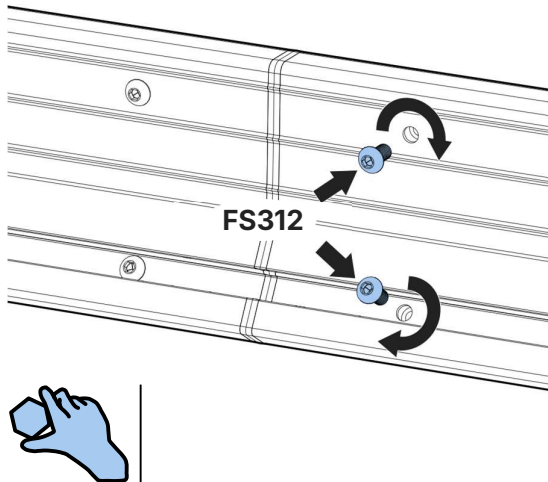
26.



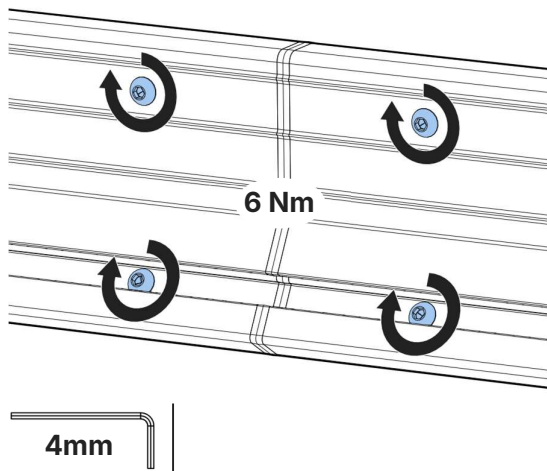
27.



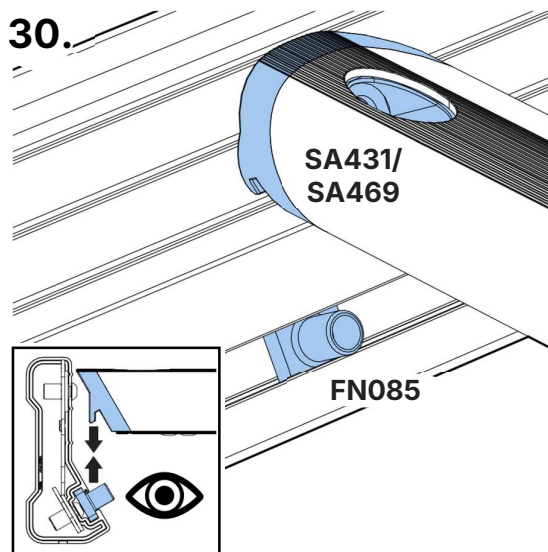
28.

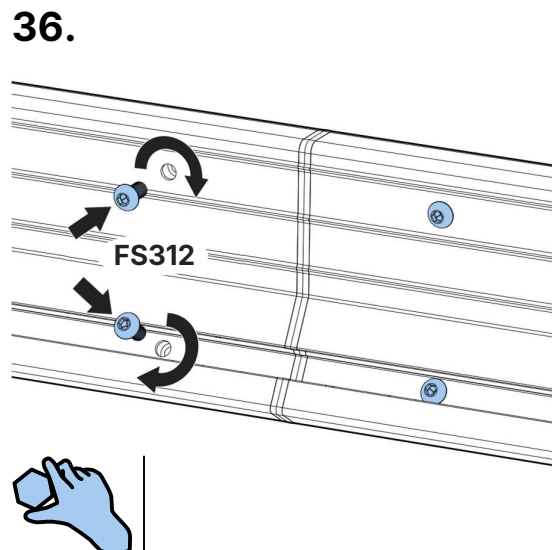
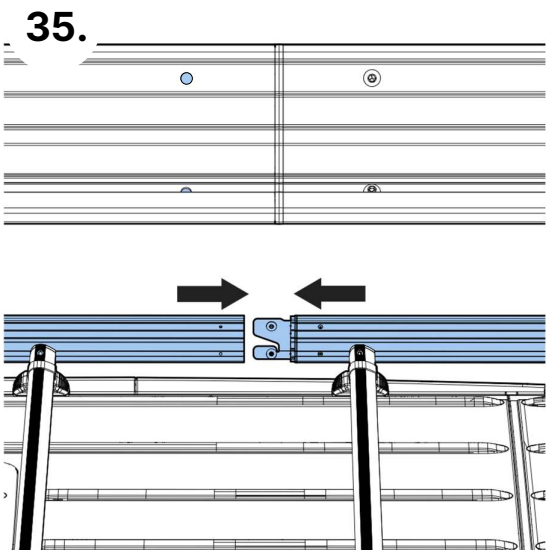
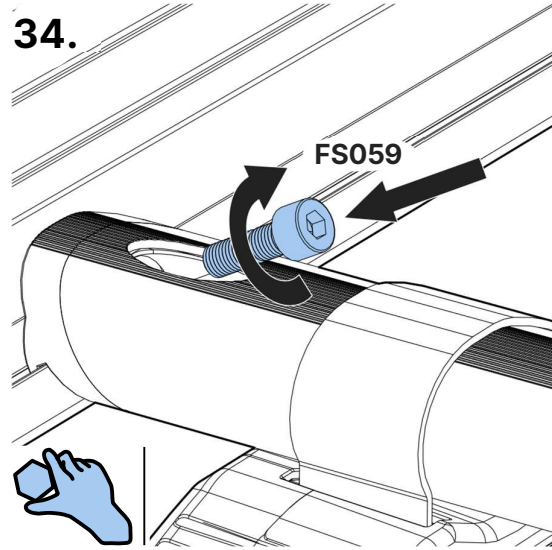
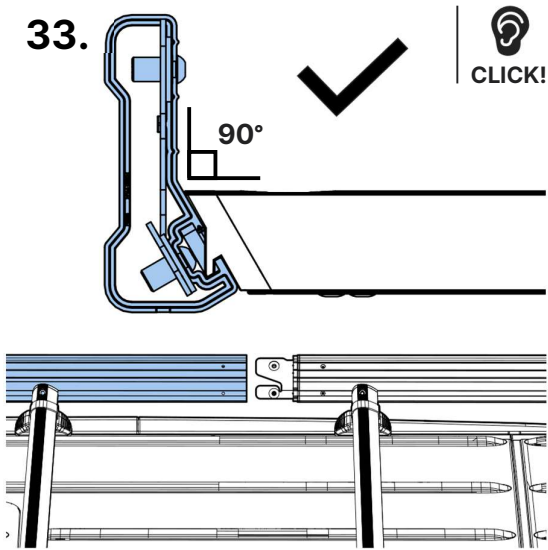
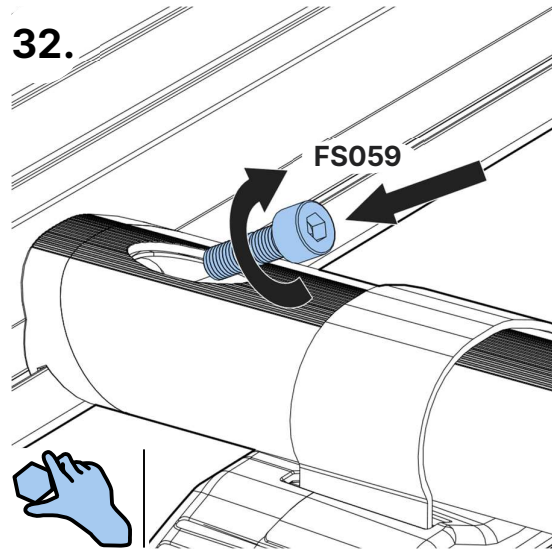
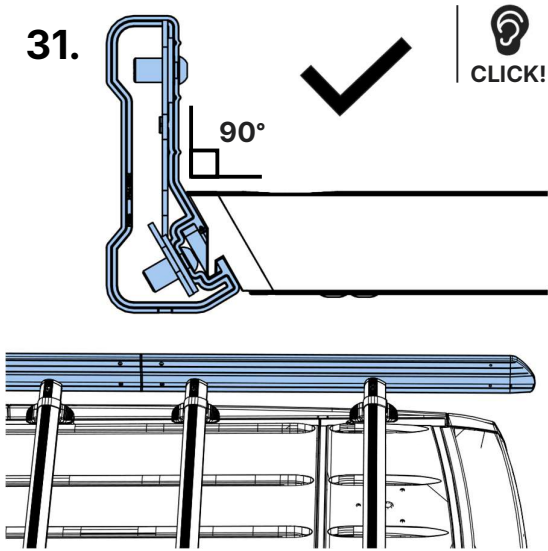


29.

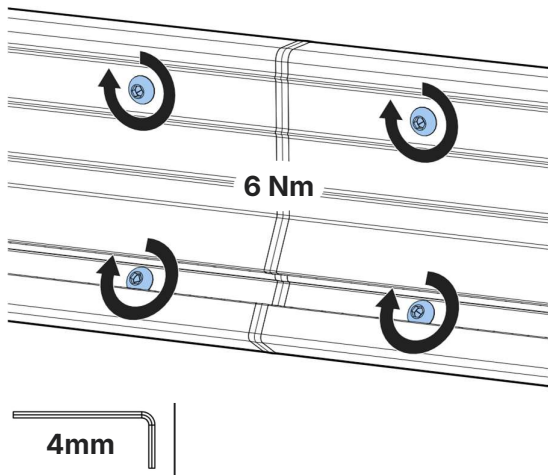


30.

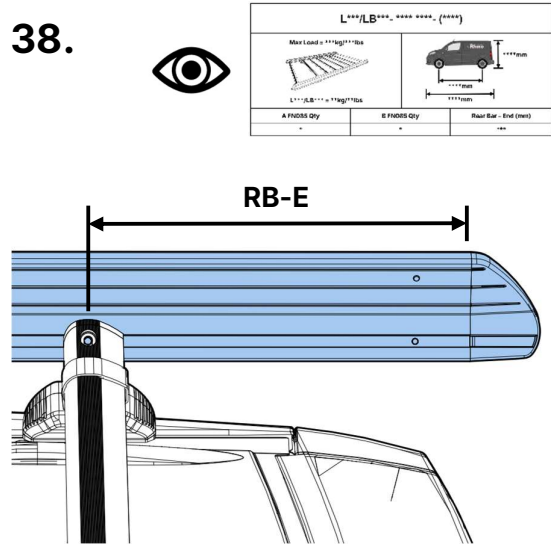




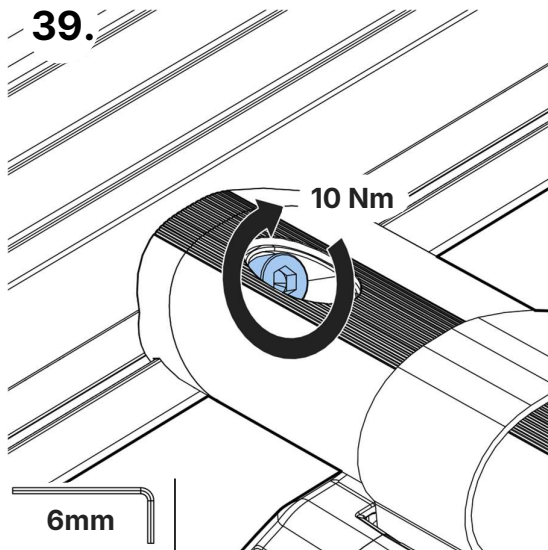
37.



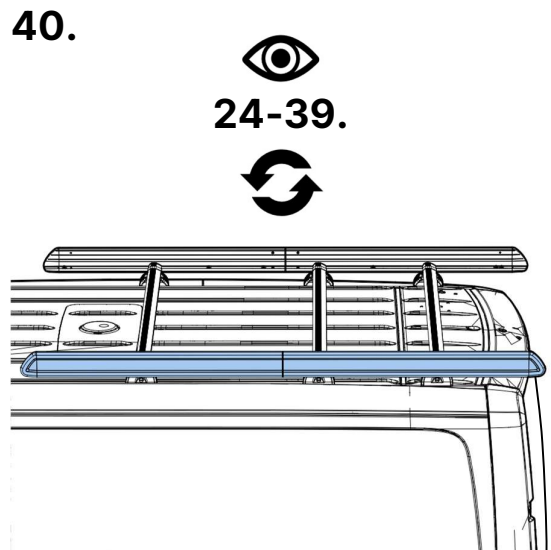
38.



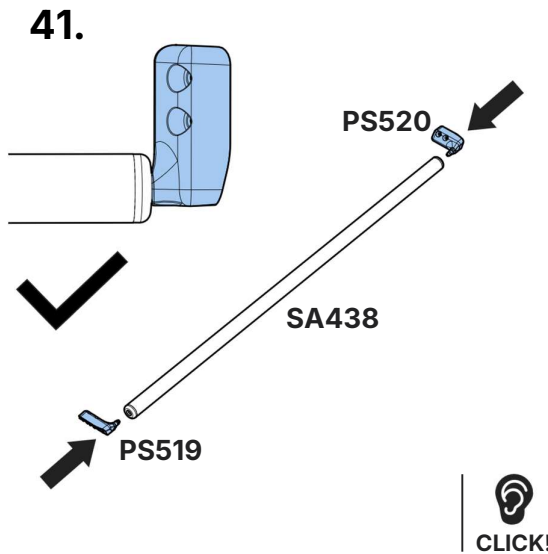
39.



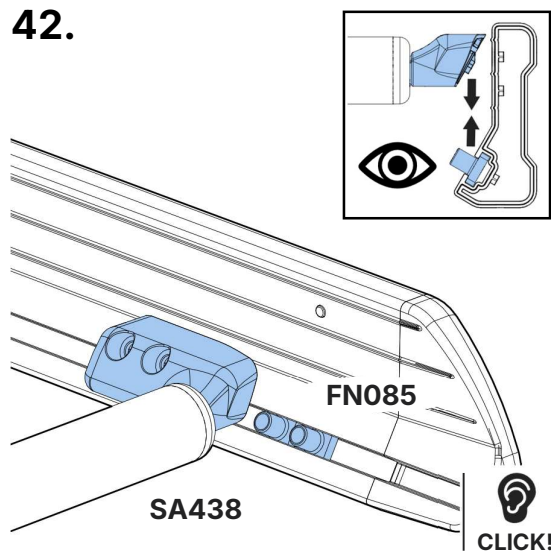
40.



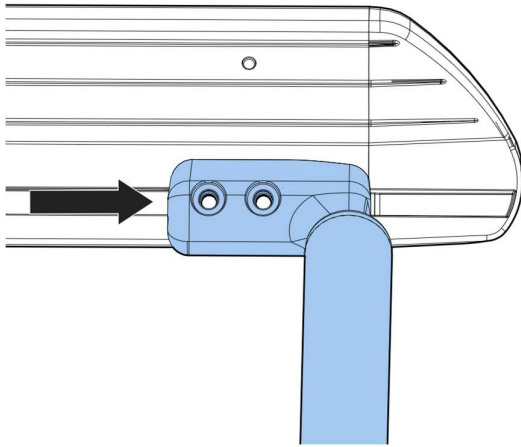
41.



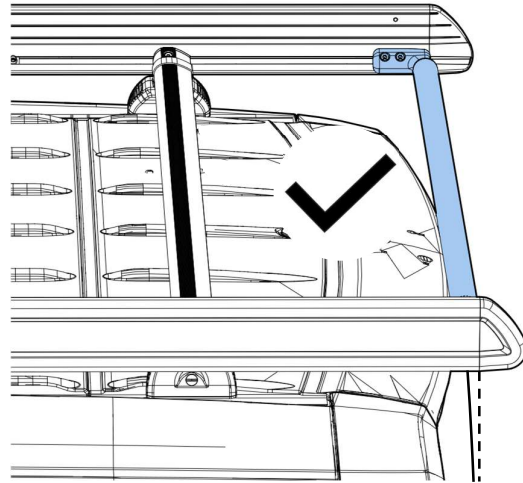
42.



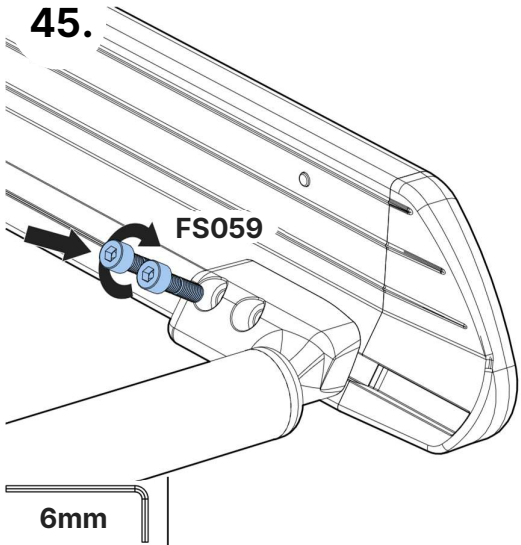
43.



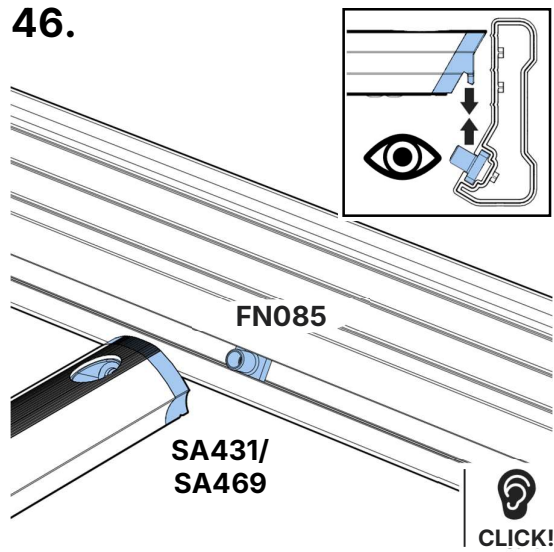
44.



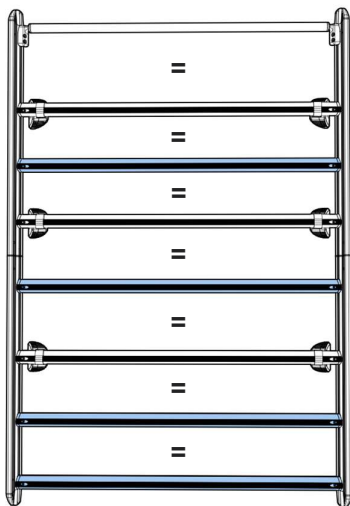
45.



46.



47.



48.

