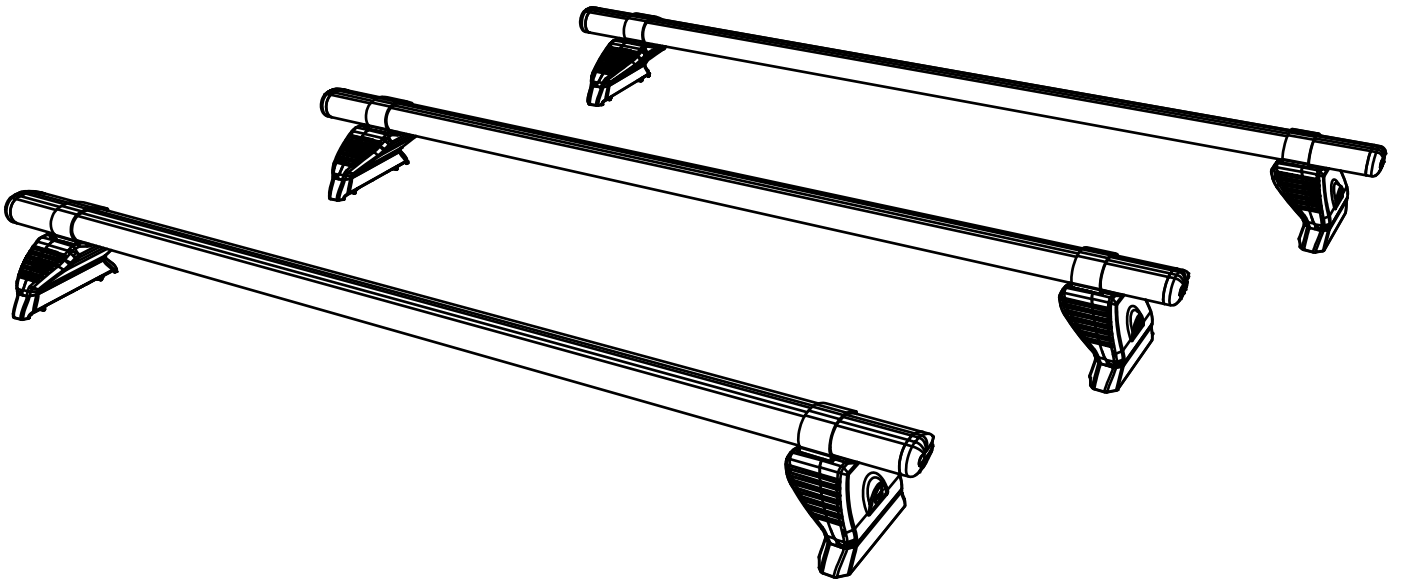


PB3PR/FL

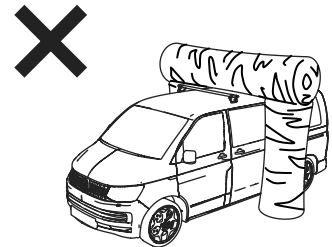
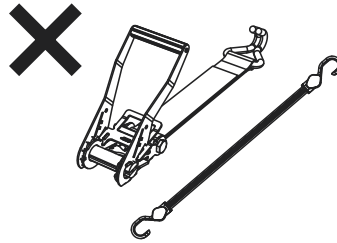
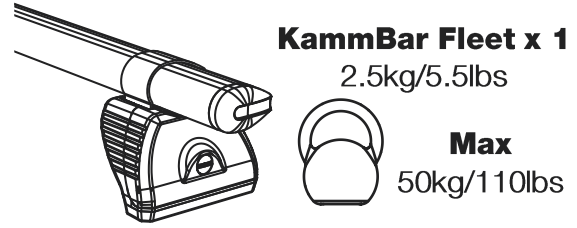
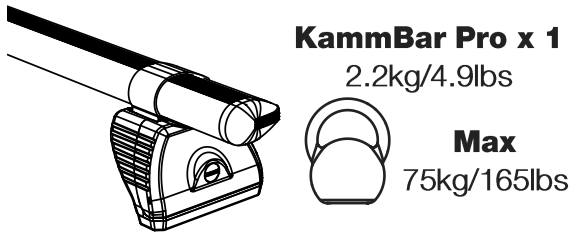
KammBar

Instructions

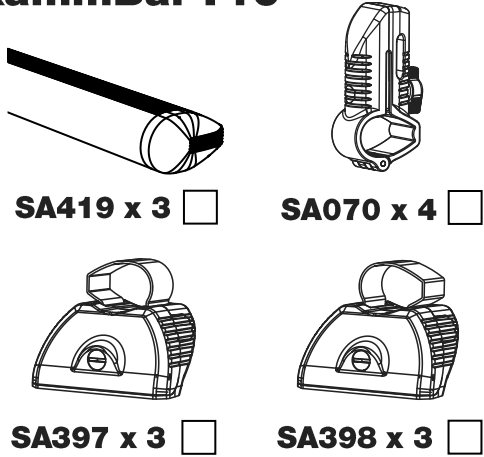


CITY CRASH (✓)

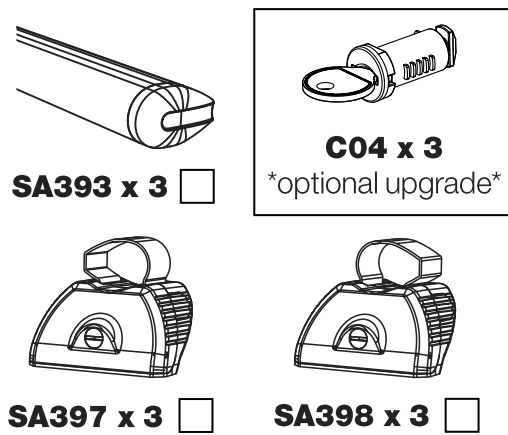
According to ISO/ PAS 11154:2006



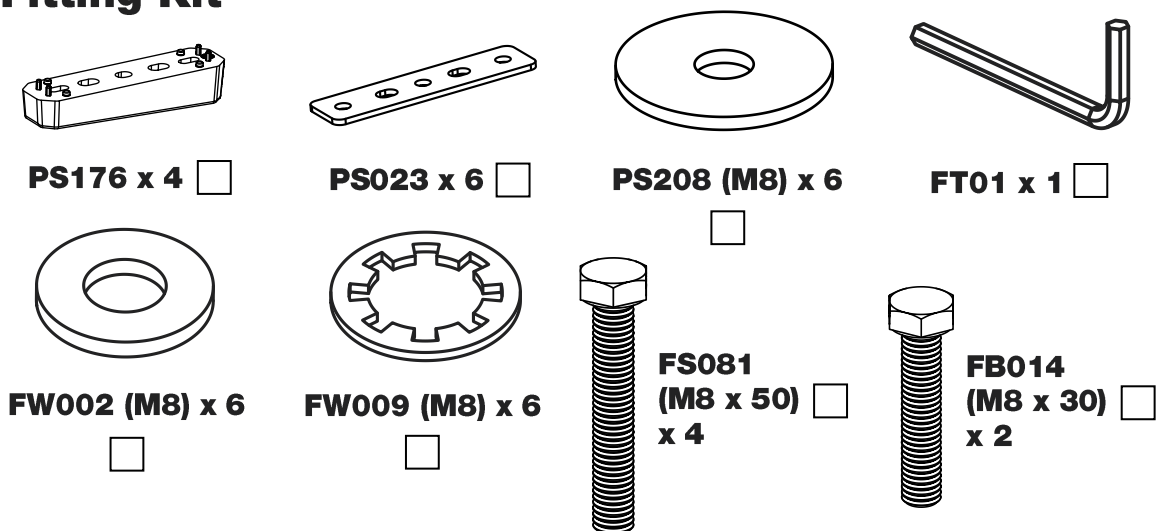
KammBar Pro



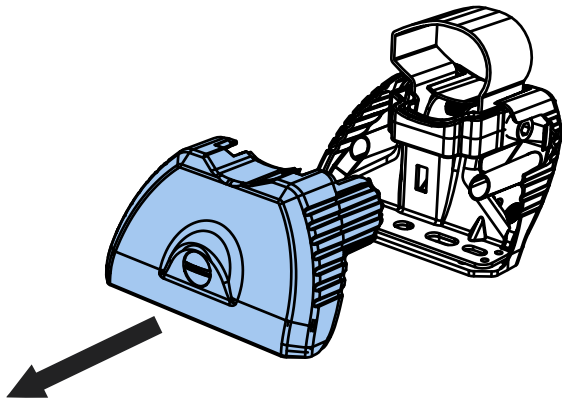
KammBar Fleet



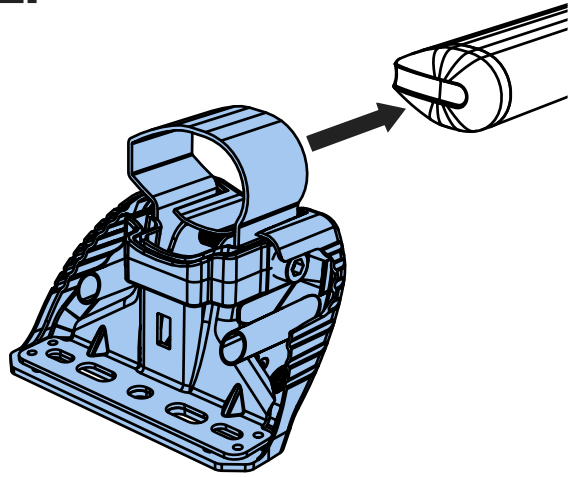
Fitting Kit



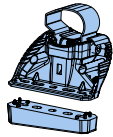
1.



2.

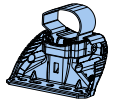


3.

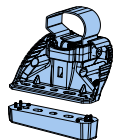


SA397

PS176

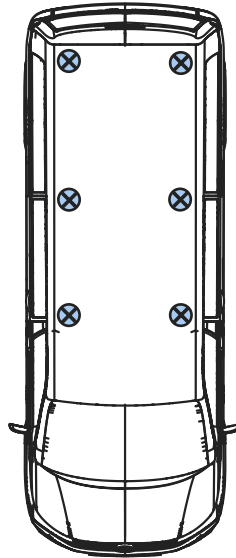


SA397

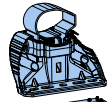


SA397

PS176

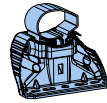


SA398

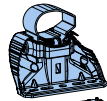


PS176

SA398

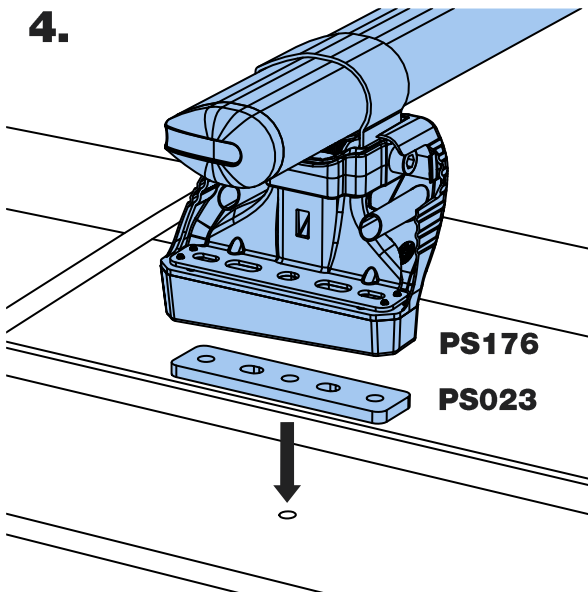


SA398



PS176

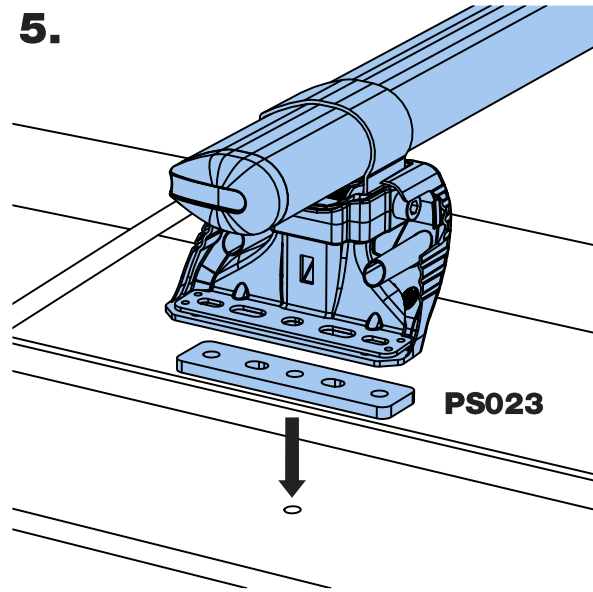
4.



PS176

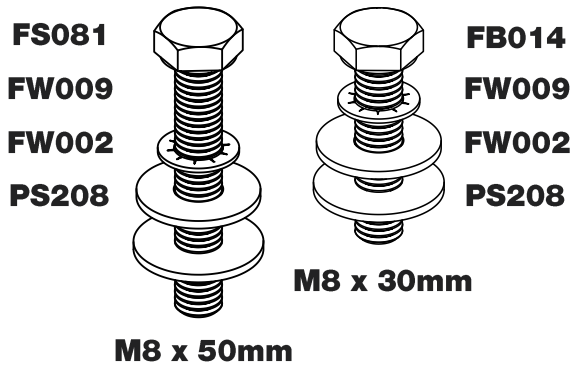
PS023

5.

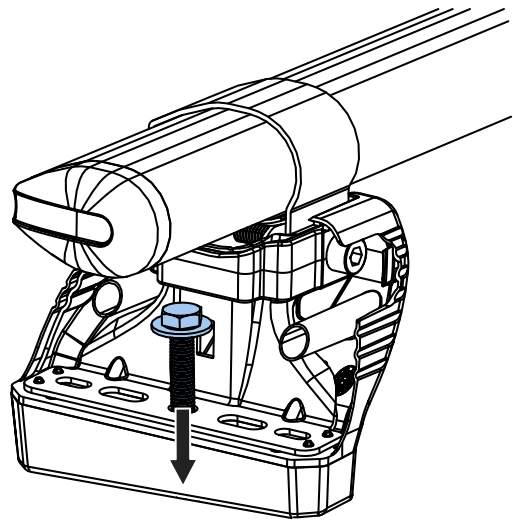


PS023

6.

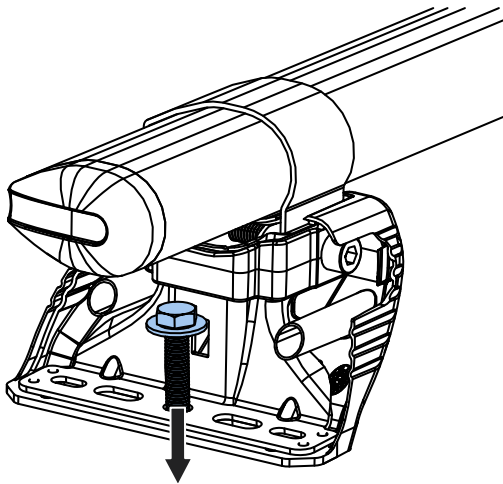


7.



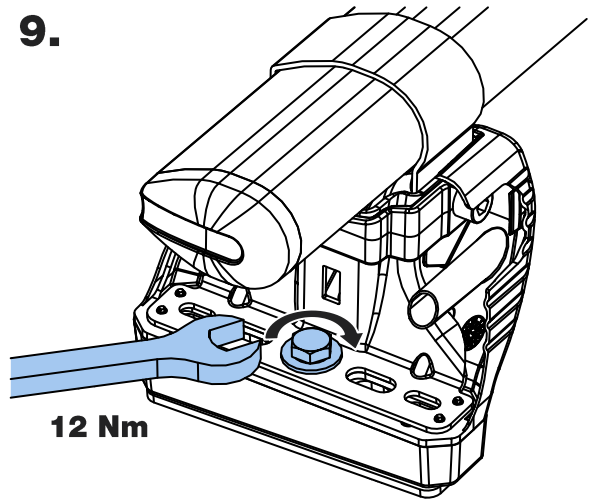
PS176 + M8 x 50mm

8.

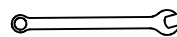


PS023 + M8 x 30mm

9.

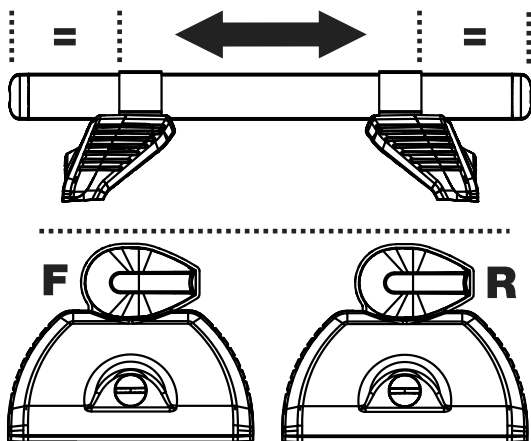


12 Nm

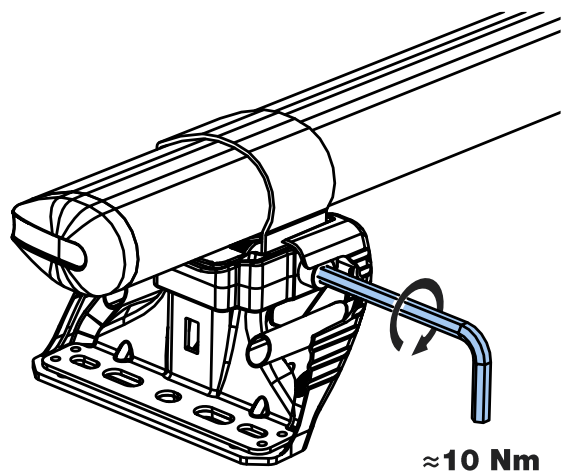


13mm

10.

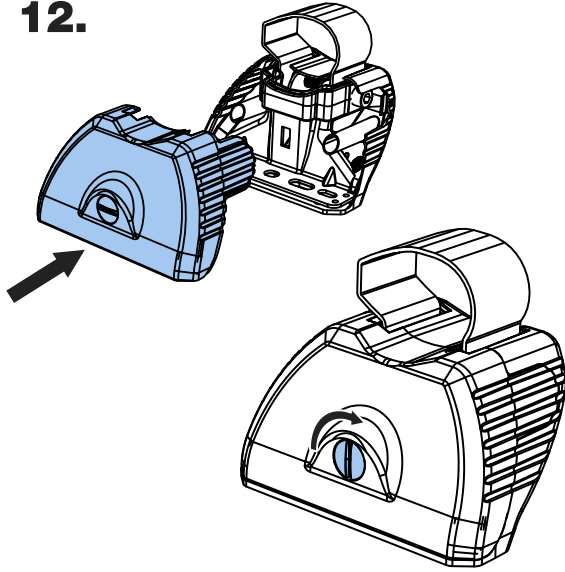


11.



≈ 10 Nm

12.



13.

