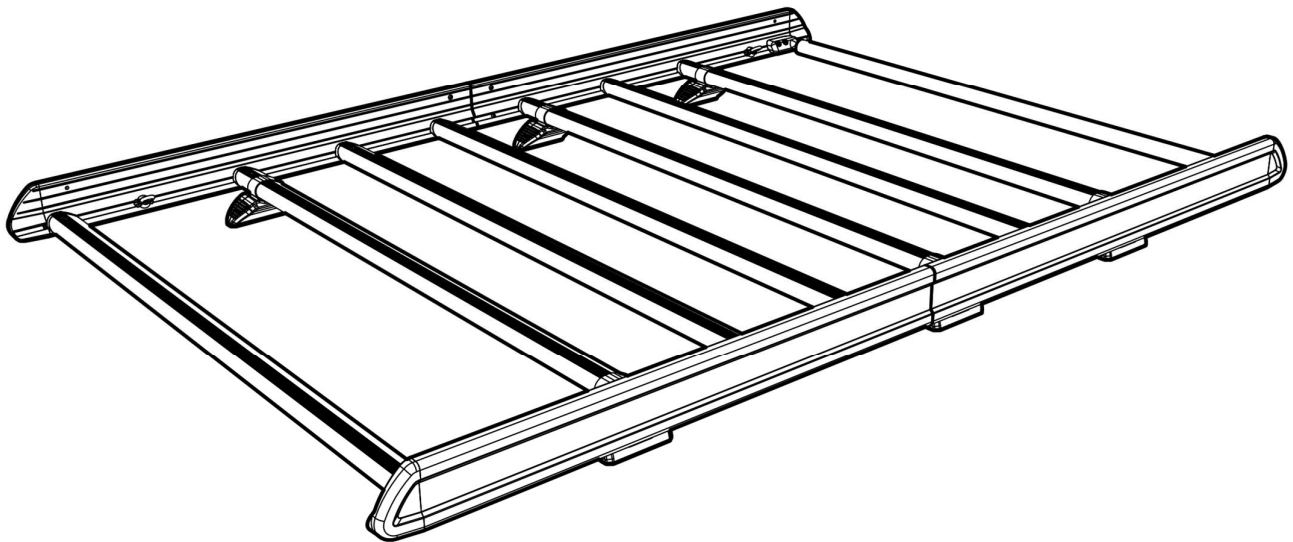


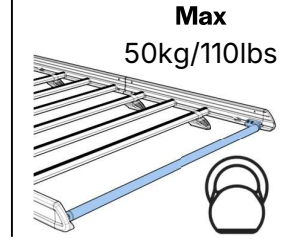
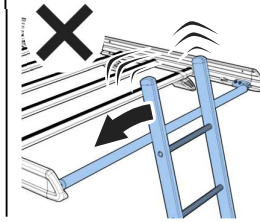
Issue:	Drawn By:	Checked By:	CRF No.:	Date:	Description:
a	SJ	KB	3609	21/10/25	First Issue
b					
c					
d					

RA4KE

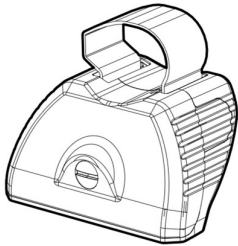
KammEdge.

Instructions

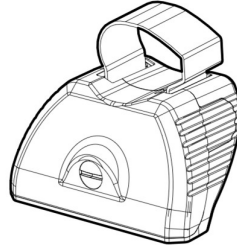




KammEdge.



SA397U x 4



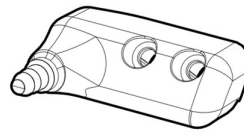
SA398U x 4



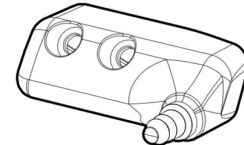
SA429/SA467 x 8



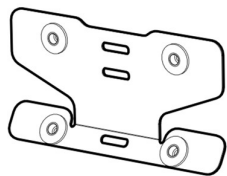
SA437 x 1



PS519 x 1



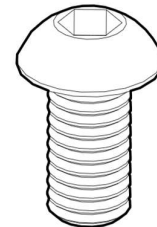
PS520 x 1



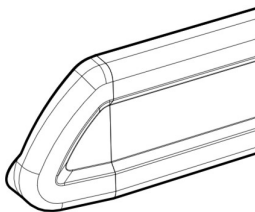
SA610 x 2



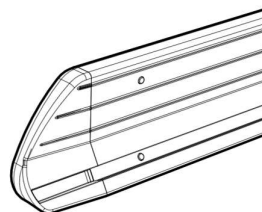
PS635 x 2



**FS323
(M6 x 16) x 8**



LSF (L) x 2



LSF (R) x 2

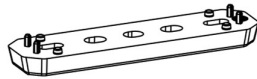


C04 x 8
optional upgrade

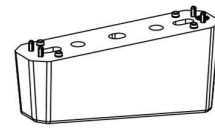
Fitting Kit



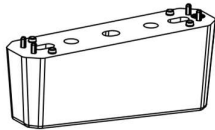
PS046 x 8



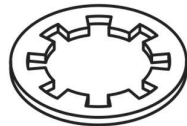
PS178 x 4



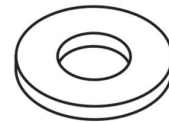
PS181 x 2



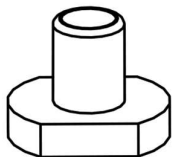
PS182 x 2



FW008 (M6) x 16



FW001 (M6) x 16



FN085 x 20



FT05 x 1



FT01 x 1



FS145
(M6 x 70) x 2



FS039
(M6 x 30) x 8



FS059
(M8 x 25) x 20



FS102
(M6 x 75) x 2



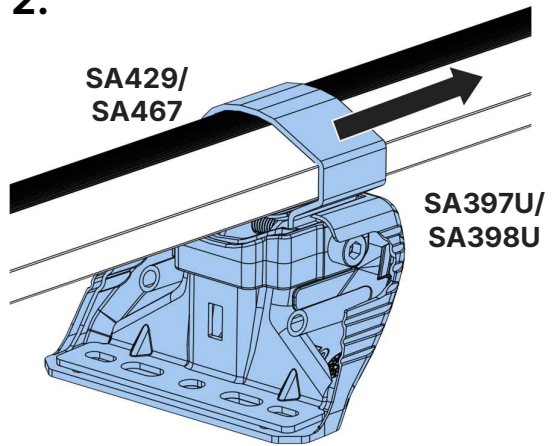
FB009
(M6 x 65) x 4



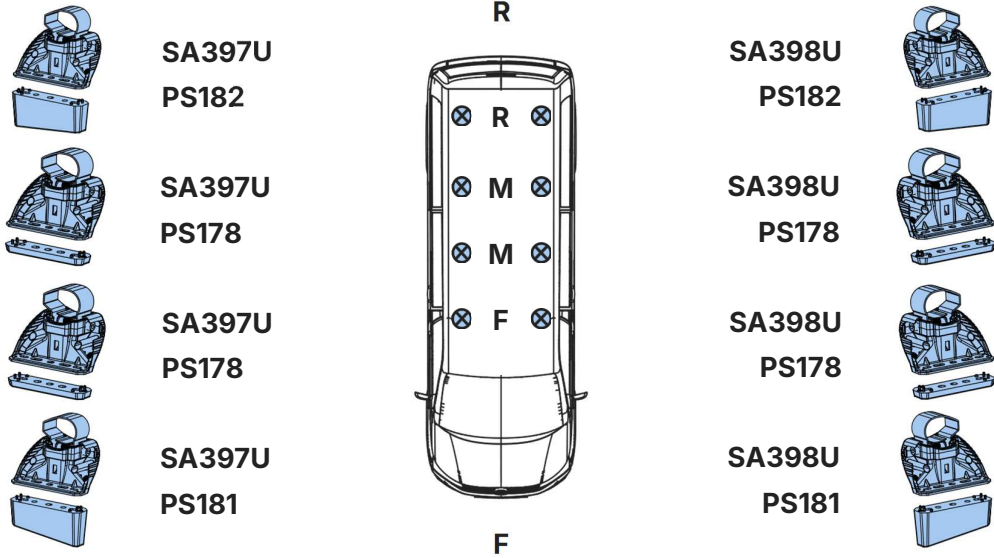
1.



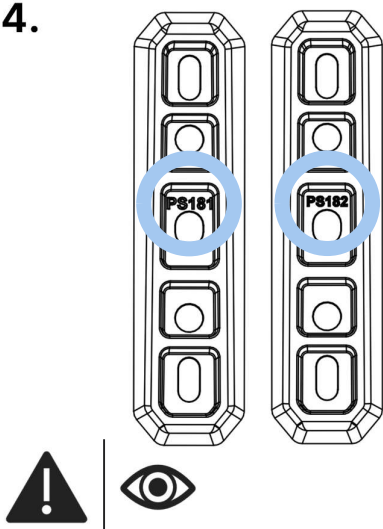
2.



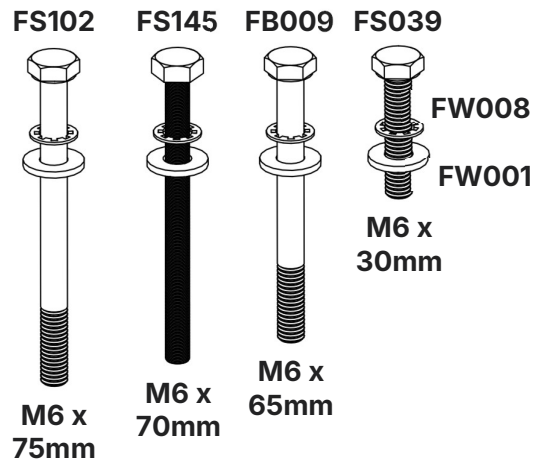
3.

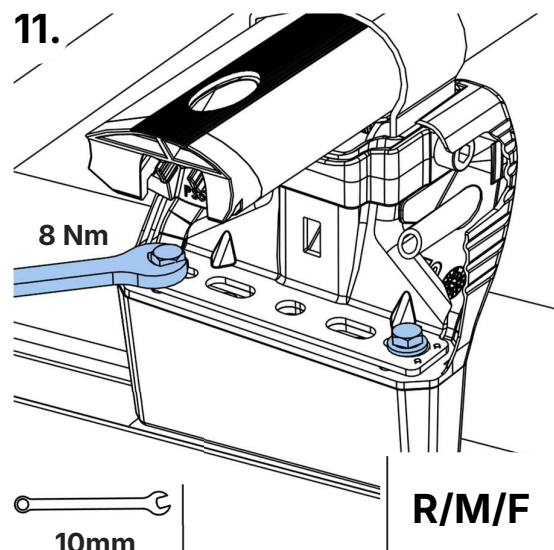
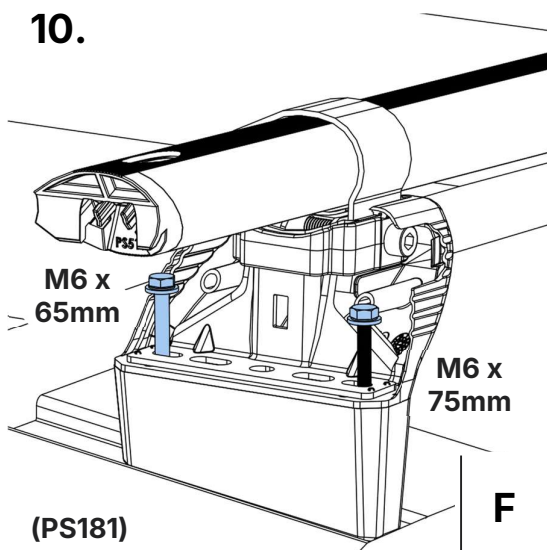
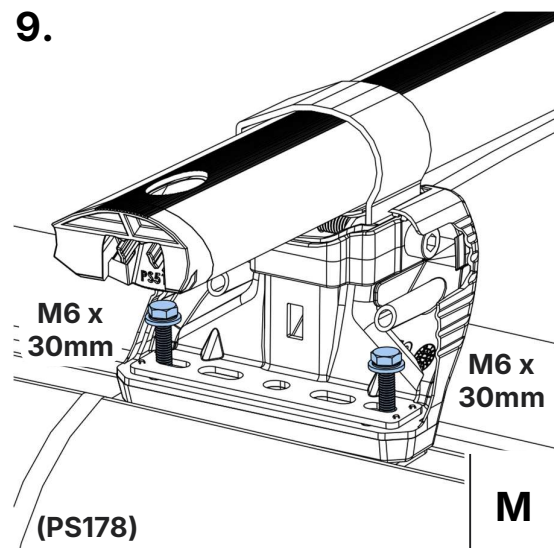
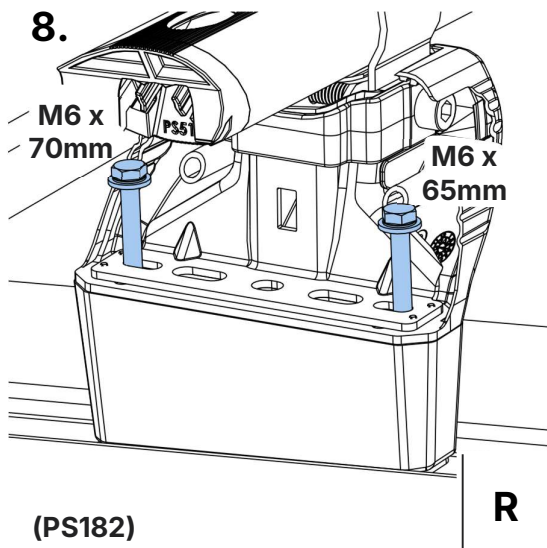
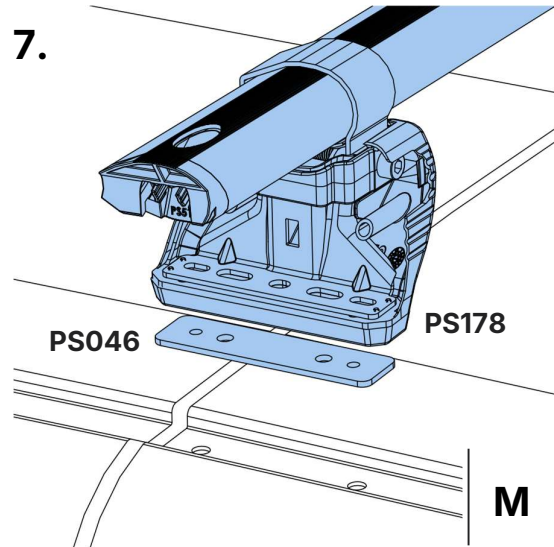
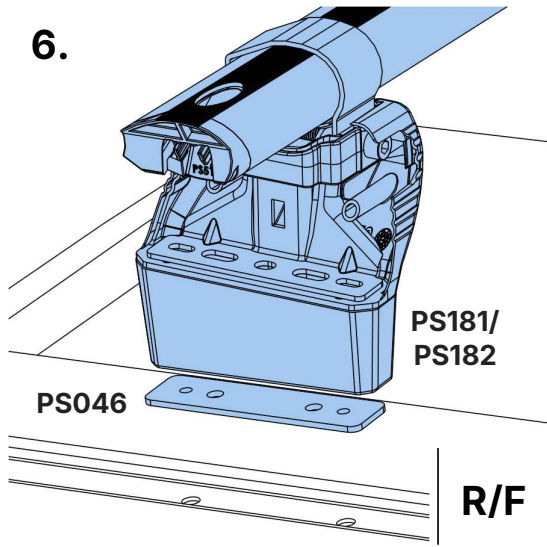


4.

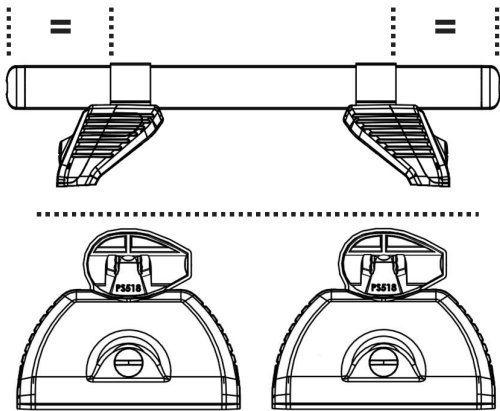


5.

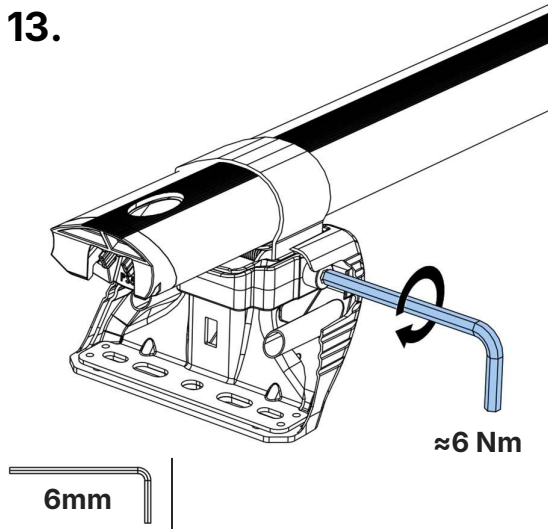




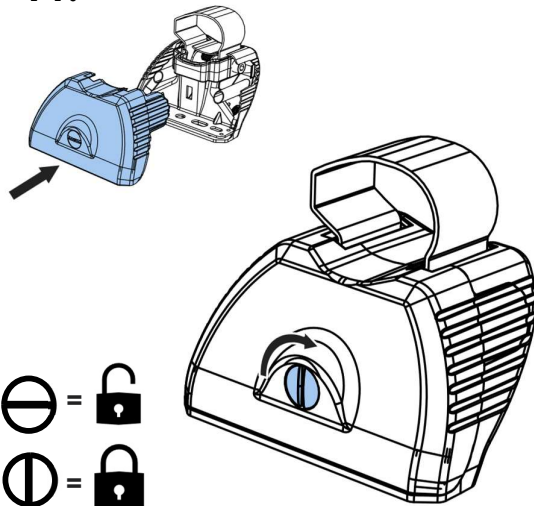
12.



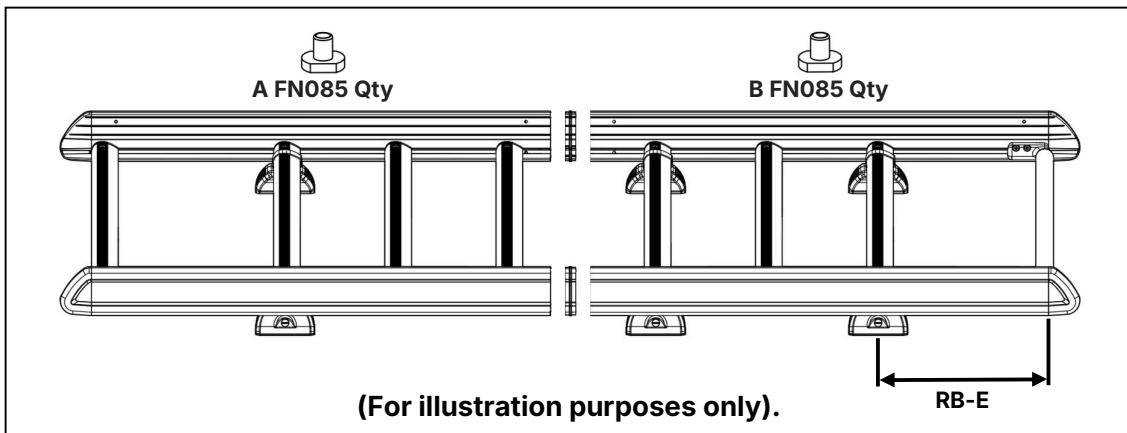
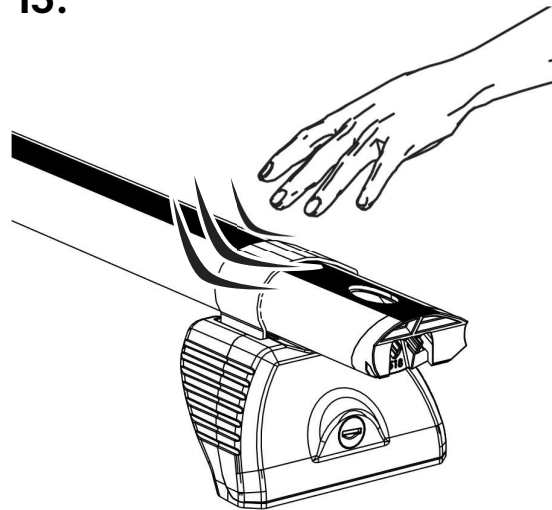
13.



14.



15.

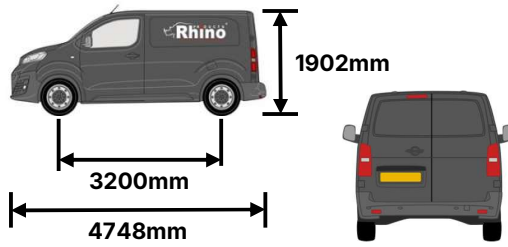


L511/LB511- Vito 2003-2015, L1-H1 (Twin)

Max Load = 150kg/330lbs



L511/LB511 = 27kg/60lbs



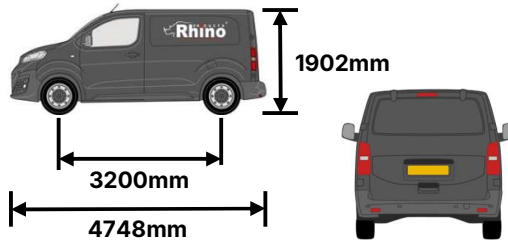
A FN085 Qty	B FN085 Qty	Rear Bar – End (mm)
4	6	328

L512/LB512- Vito 2003-2015, L1-H1 (Tailgate)

Max Load = 150kg/330lbs



L512/LB512 = 27kg/60lbs



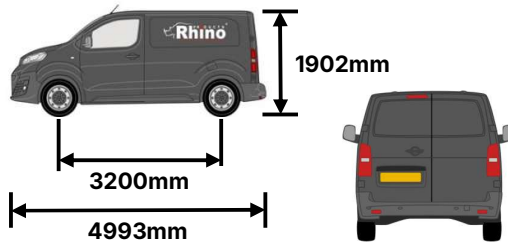
A FN085 Qty	B FN085 Qty	Rear Bar – End (mm)
4	6	128

L513/LB513- Vito 2003-2015, L2-H1 (Twin)

Max Load = 150kg/330lbs



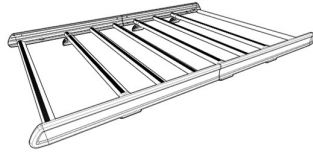
L513/LB513 = 27kg/60lbs



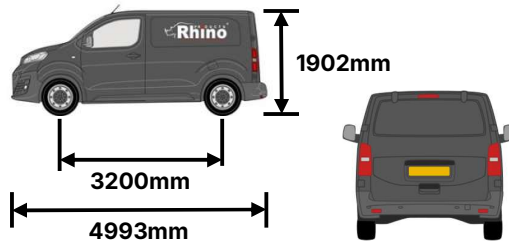
A FN085 Qty	B FN085 Qty	Rear Bar – End (mm)
4	6	328

L511/LB511- Vito 2003-2015, L2-H1 (Tailgate)

Max Load = 150kg/330lbs



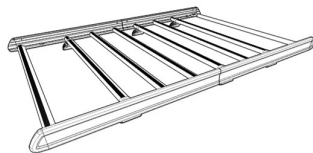
L511/LB511 = 27kg/60lbs



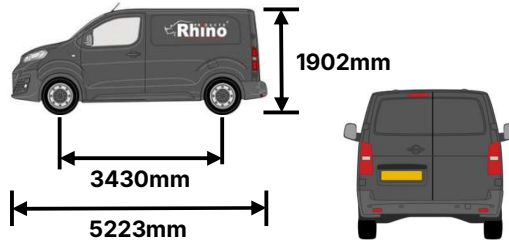
A FN085 Qty	B FN085 Qty	Rear Bar – End (mm)
4	6	128

L515/LB515- Vito 2003-2015, L3-H1 (Twin)

Max Load = 150kg/330lbs



L515/LB515 = 28kg/62lbs



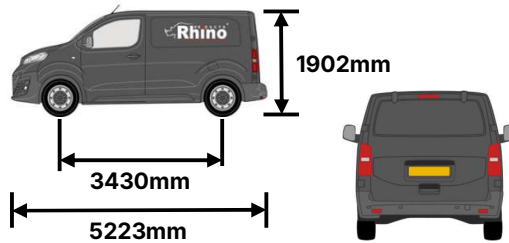
A FN085 Qty	B FN085 Qty	Rear Bar – End (mm)
4	6	430

L513/LB513- Vito 2003-2015, L3-H1 (Tailgate)

Max Load = 150kg/330lbs



L513/LB513 = 27kg/60lbs



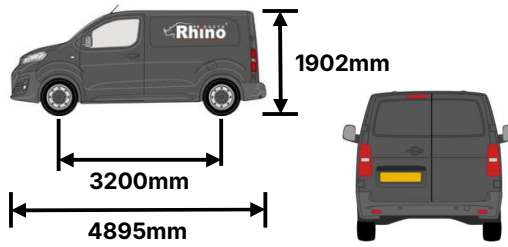
A FN085 Qty	B FN085 Qty	Rear Bar – End (mm)
4	6	230

L513/LB513- Vito 2015-, L1-H1 (Twin)

Max Load = 150kg/330lbs



L513/LB513 = 27kg/60lbs



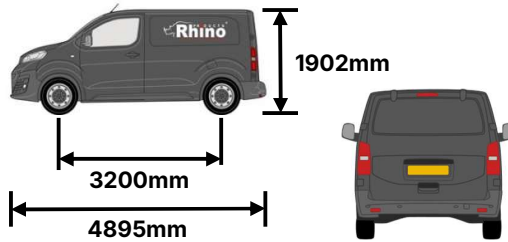
A FN085 Qty	B FN085 Qty	Rear Bar – End (mm)
4	6	420

L511/LB511- Vito 2015-, L1-H1 (Tailgate)

Max Load = 150kg/330lbs



L511/LB511 = 27kg/60lbs



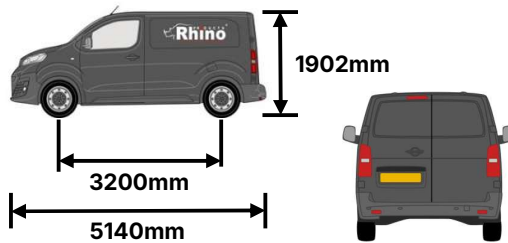
A FN085 Qty	B FN085 Qty	Rear Bar – End (mm)
4	6	130

L515/LB515- Vito 2015-, L2-H1 (Twin)

Max Load = 150kg/330lbs



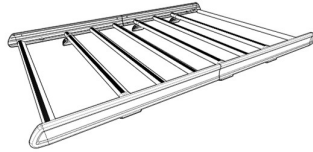
L515/LB515 = 28kg/62lbs



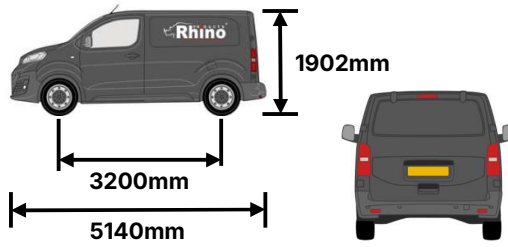
A FN085 Qty	B FN085 Qty	Rear Bar – End (mm)
4	6	420

L513/LB513- Vito 2015-, L2-H1 (Tailgate)

Max Load = 150kg/330lbs



L513/LB513 = 27kg/60lbs



A FN085 Qty

B FN085 Qty

Rear Bar – End (mm)

4

6

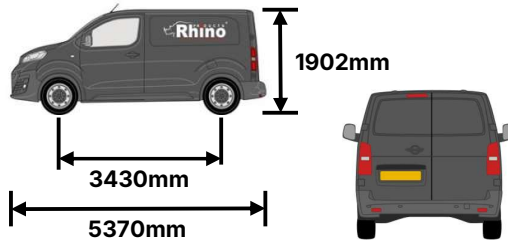
150

L515/LB515- Vito 2015-, L3-H1 (Twin)

Max Load = 150kg/330lbs



L515/LB515 = 28kg/62lbs



A FN085 Qty

B FN085 Qty

Rear Bar – End (mm)

4

6

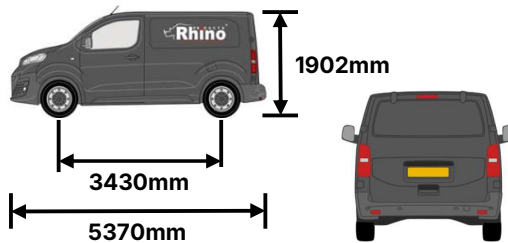
440

L515/LB515- Vito 2015-, L3-H1 (Tailgate)

Max Load = 150kg/330lbs



L515/LB515 = 28kg/62lbs



A FN085 Qty

B FN085 Qty

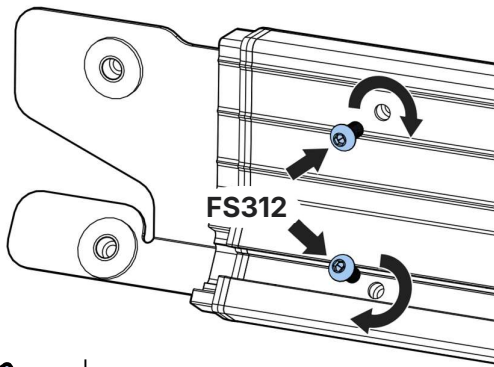
Rear Bar – End (mm)

4

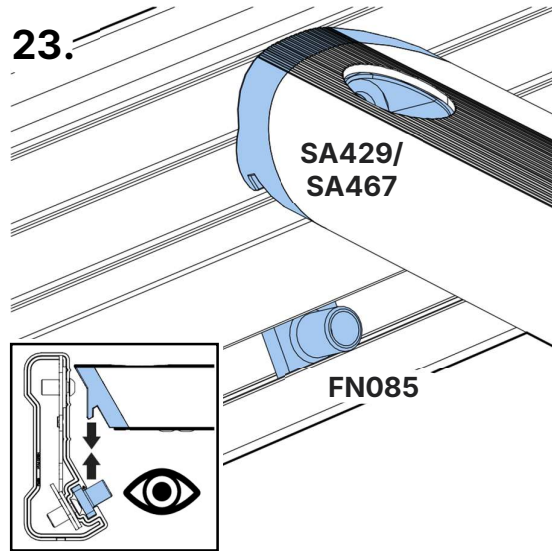
6

320

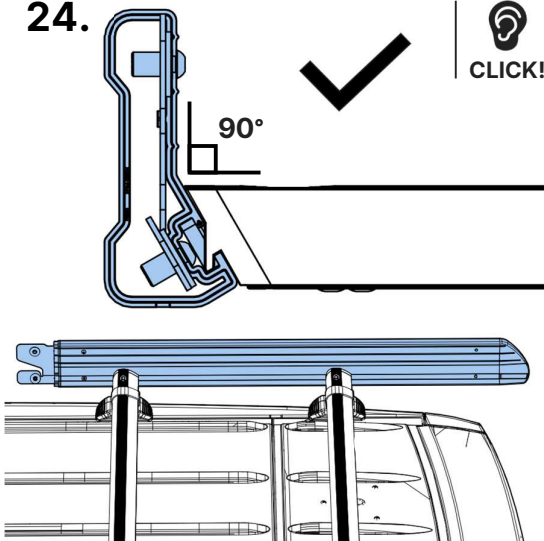
22.



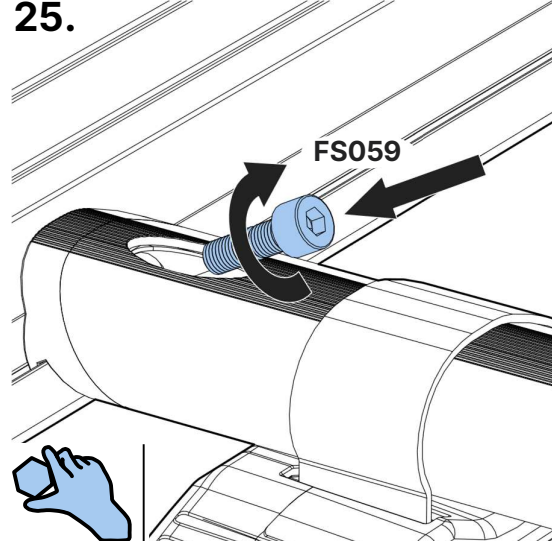
23.



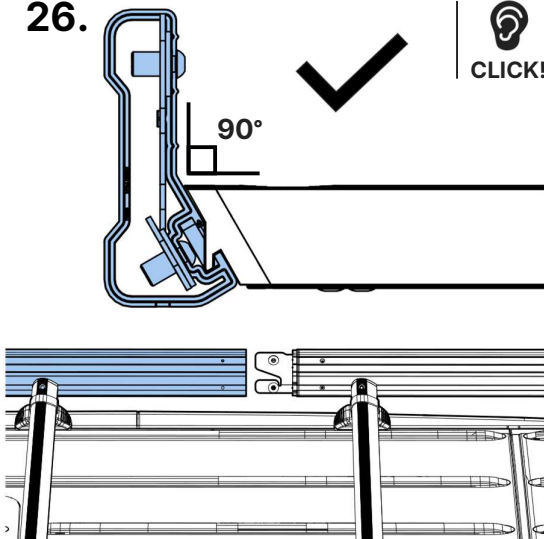
24.



25.



26.



27.

