

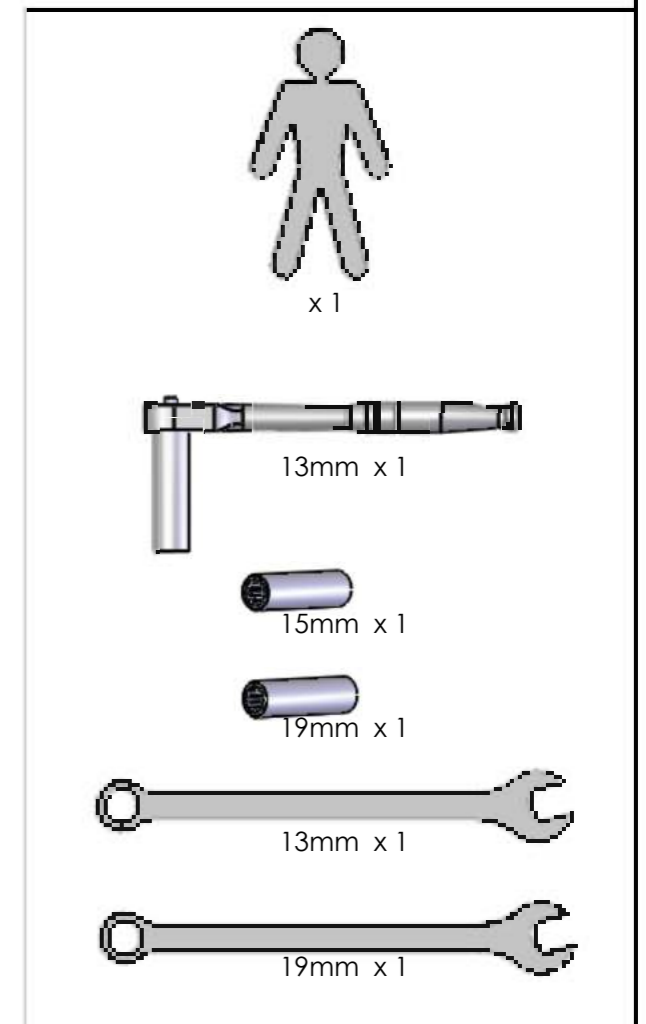
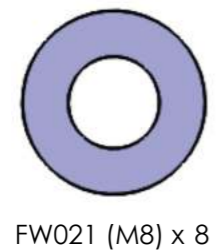
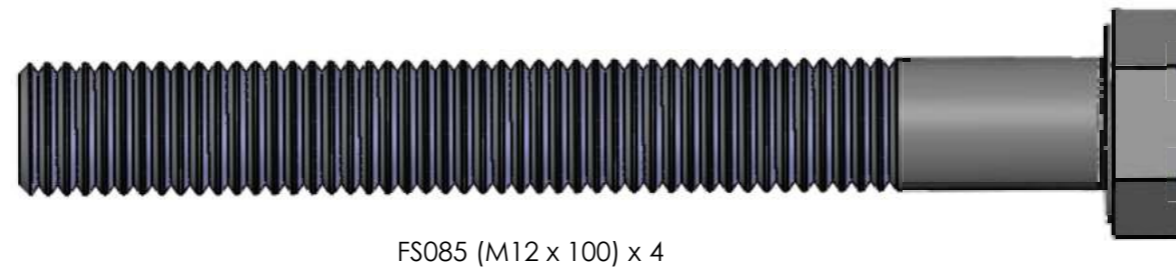
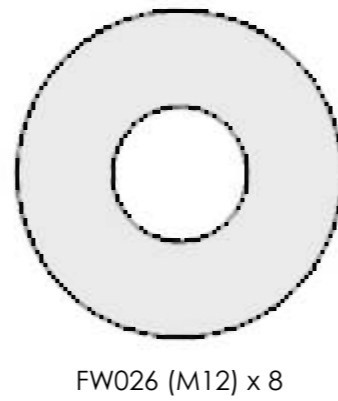
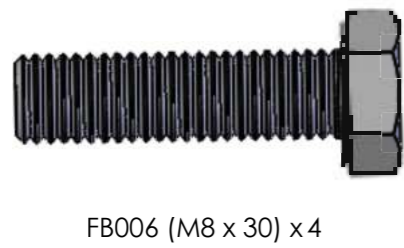
SAFESTEP FITTING INSTRUCTIONS



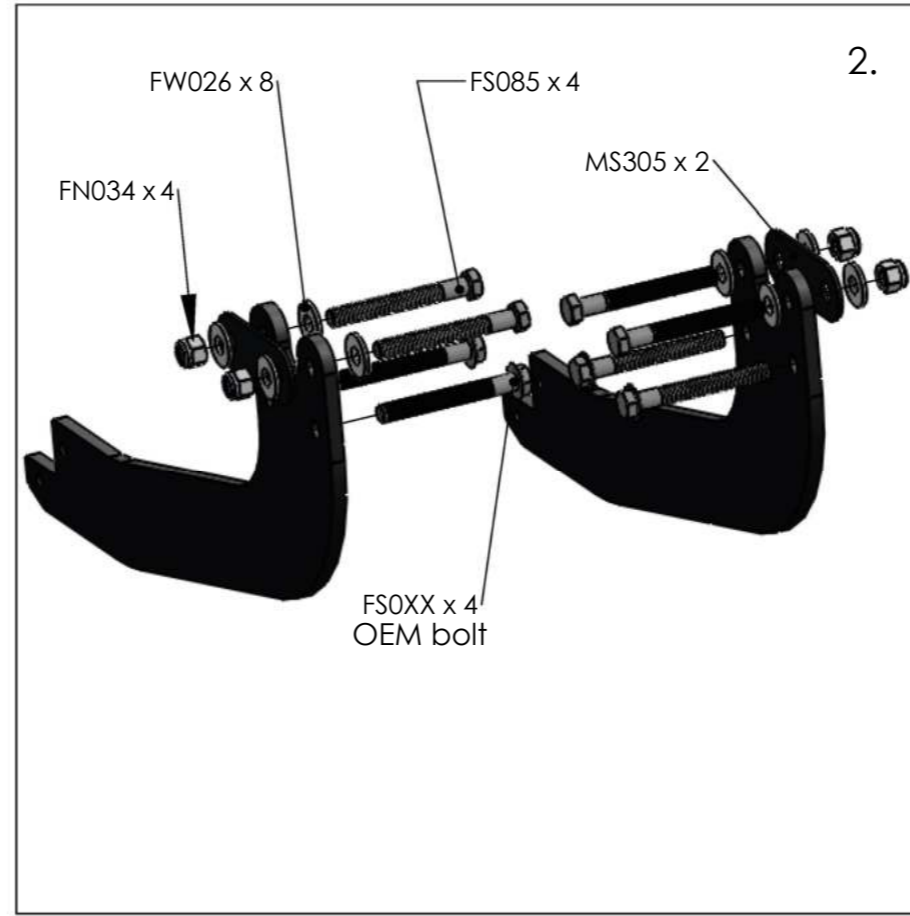
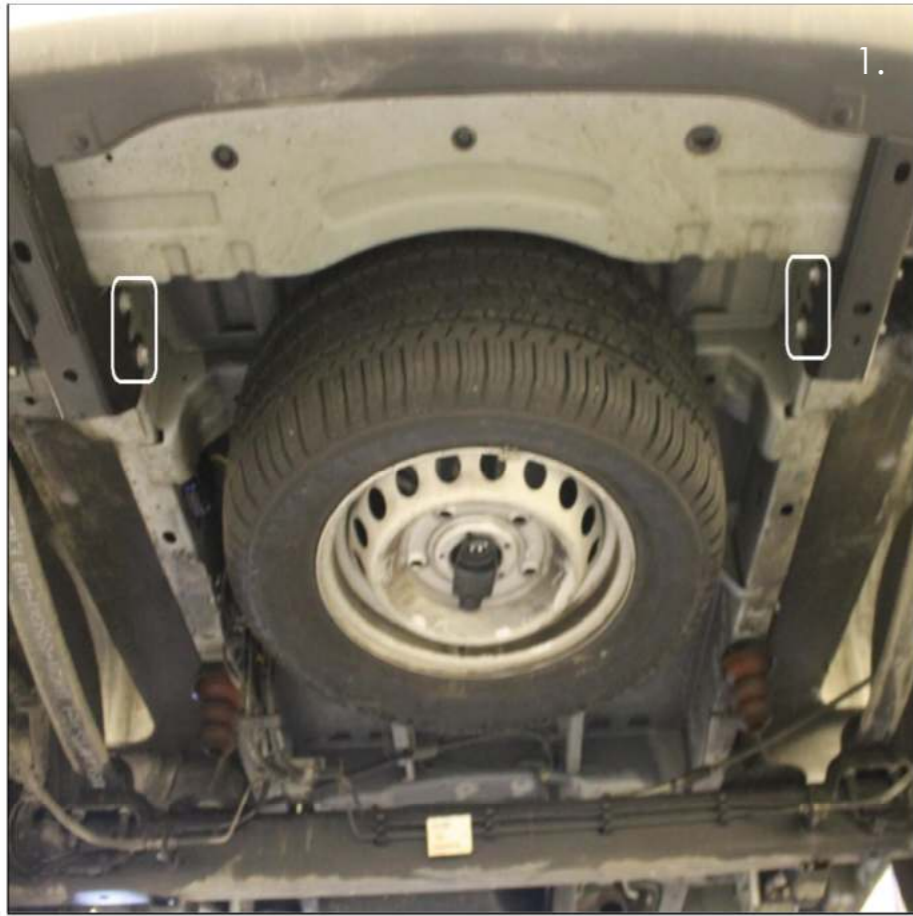
SAFESTEP FITTING INSTRUCTIONS

FITTING KIT CONTENTS FK889
(1:1)

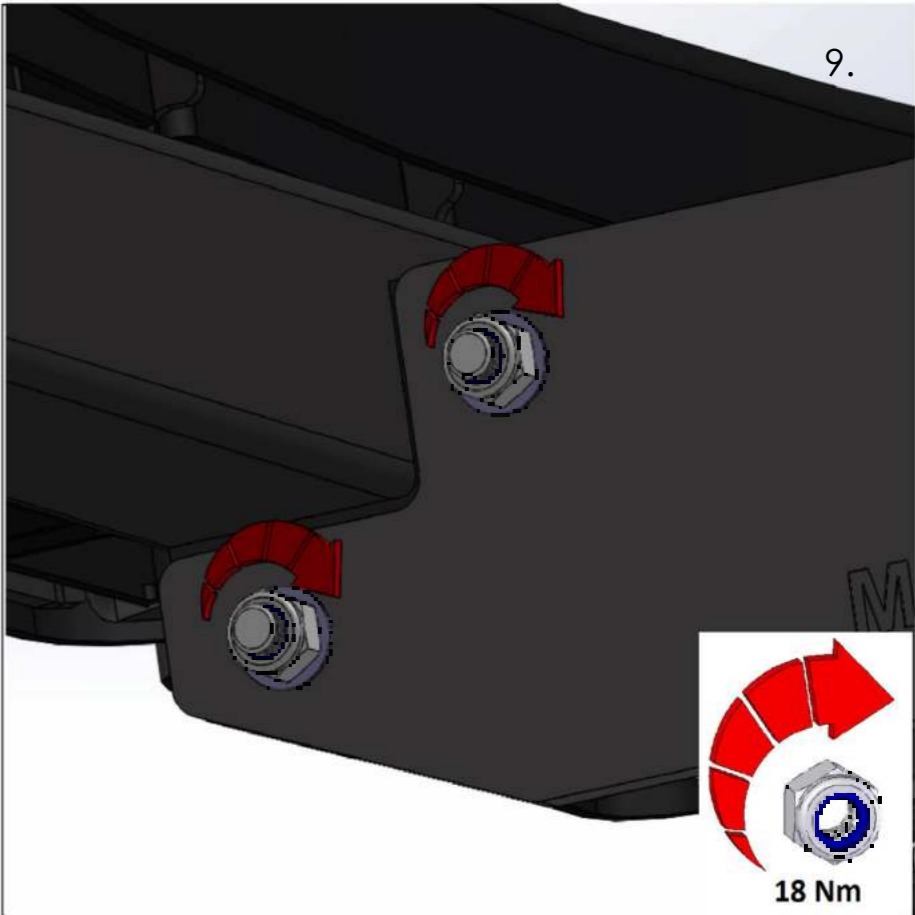
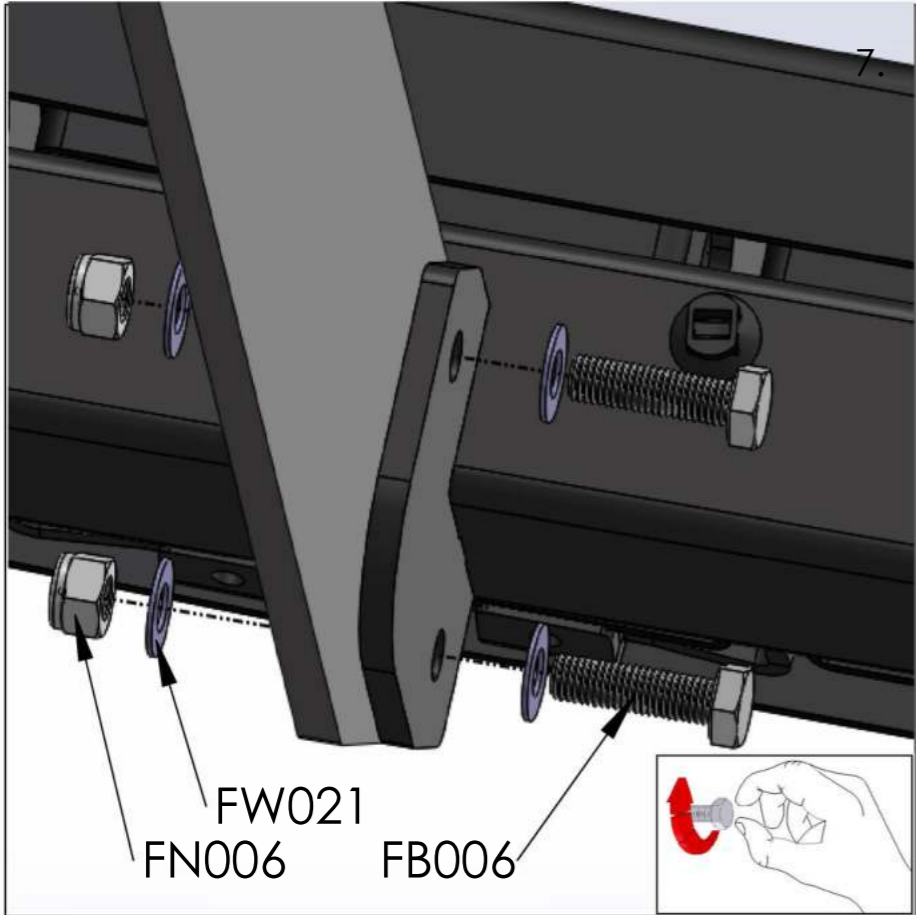
FITTING TIME: 30 Minutes



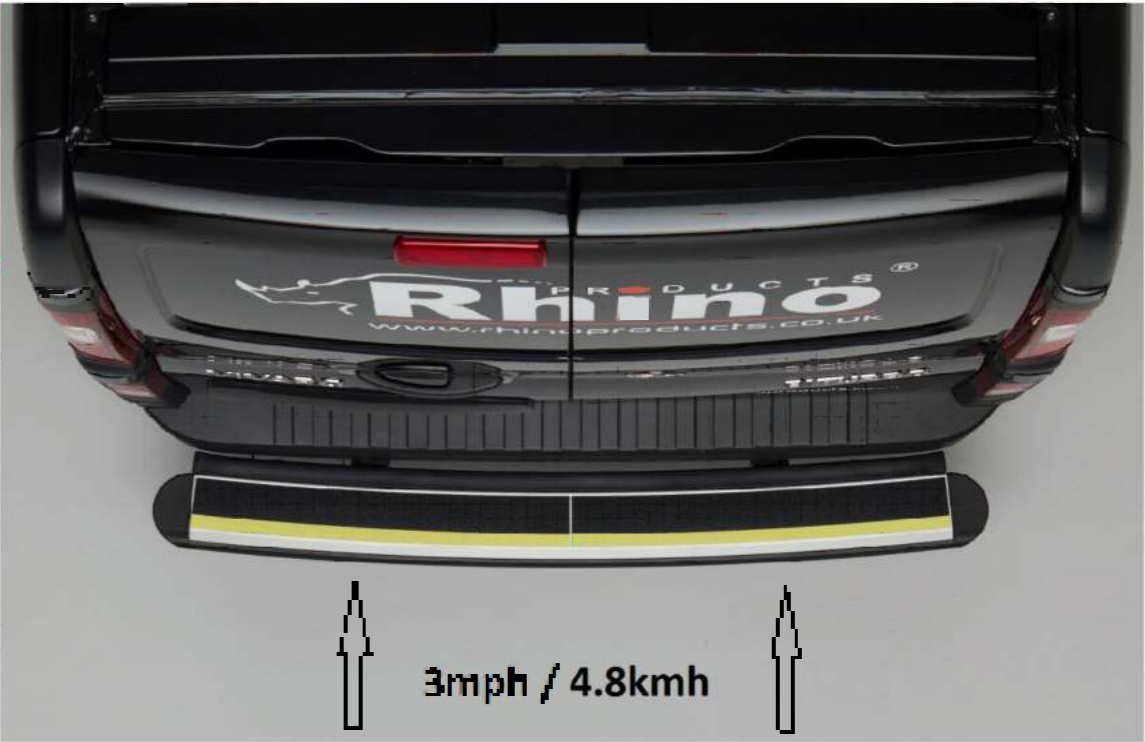
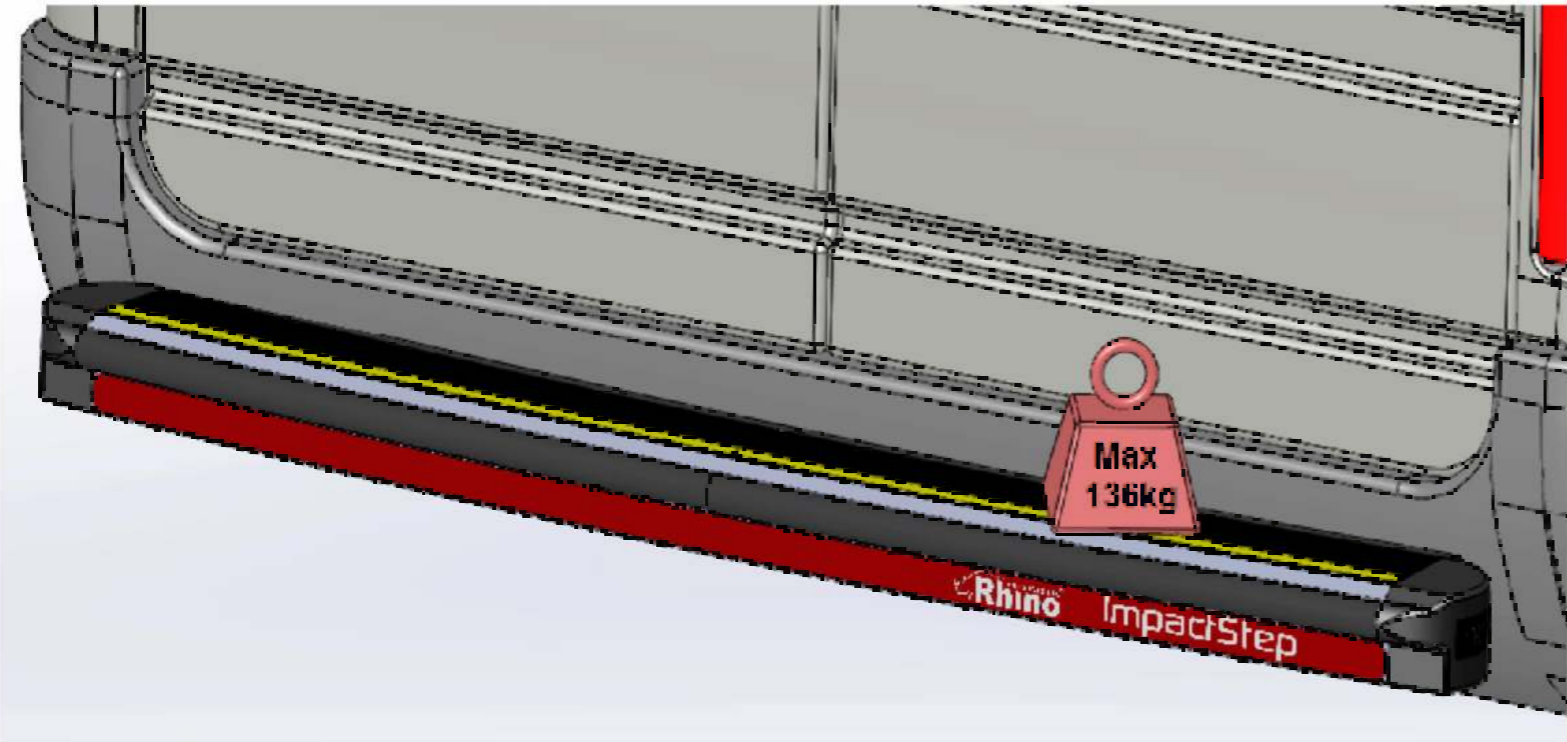
SAFESTEP FITTING INSTRUCTIONS



SAFESTEP FITTING INSTRUCTIONS



IMPACT STEP FITTING INSTRUCTIONS



IMPACT STEP FITTING INSTRUCTIONS

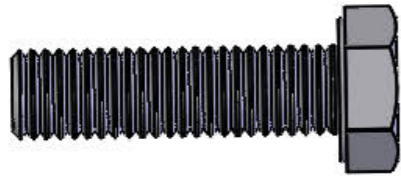
FITTING KIT CONTENTS FK889 (1:1)

FITTING TIME: 30 Minutes

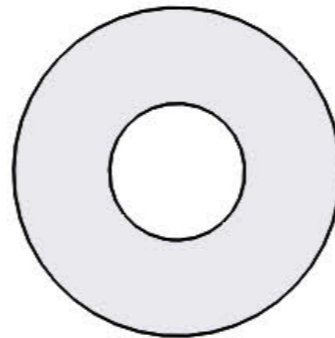


FW020 (M8) x 4

SAFESTEP	✗
IMPACT STEP	✓



FB006 (M8 x 30) x 4

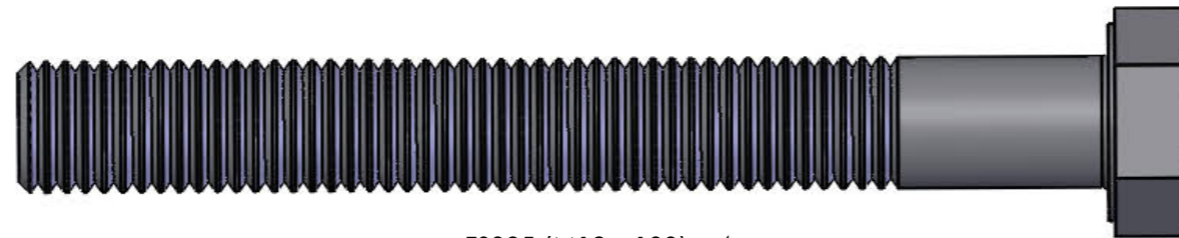


FW026 (M12) x 8

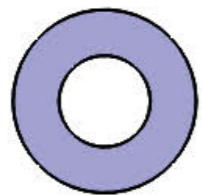


FN006 (M8) x 4

SAFESTEP	✓
IMPACT STEP	✗



FS085 (M12 x 100) x 4



FW021 (M8) x

SAFESTEP	8
IMPACT STEP	4



FN034 (M12) x 4



x 1



13mm x 1



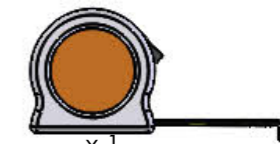
15mm x 1



19mm x 1

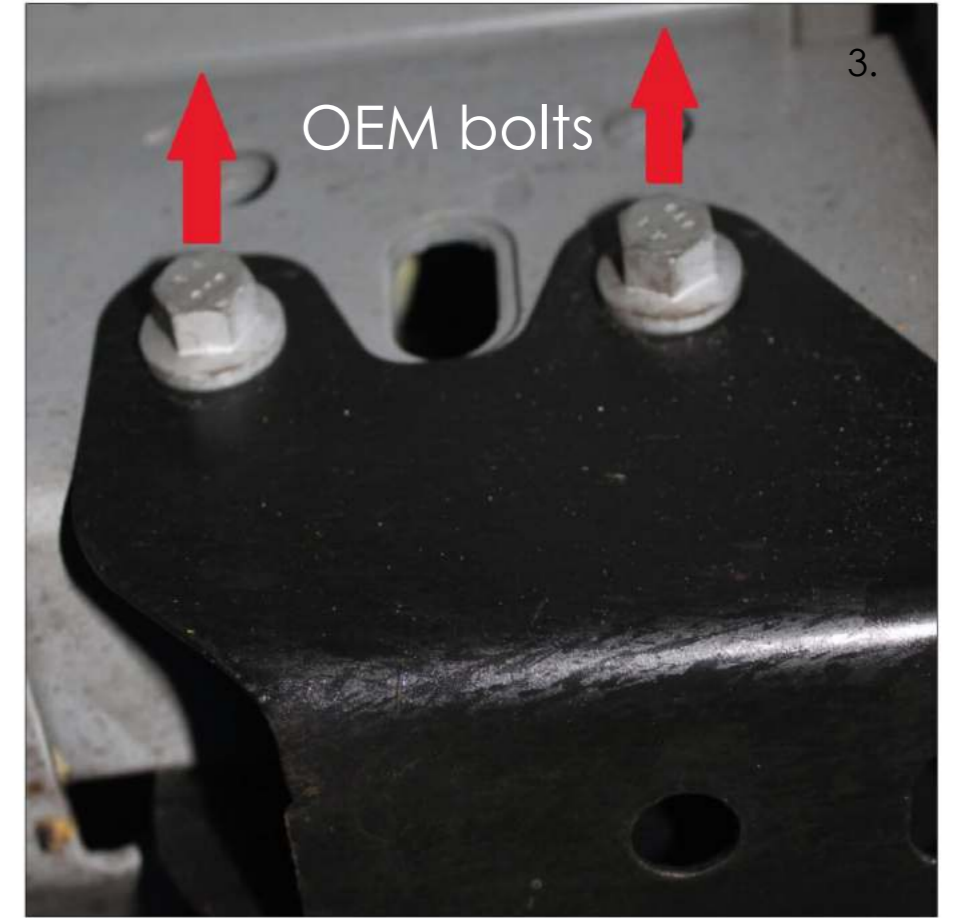
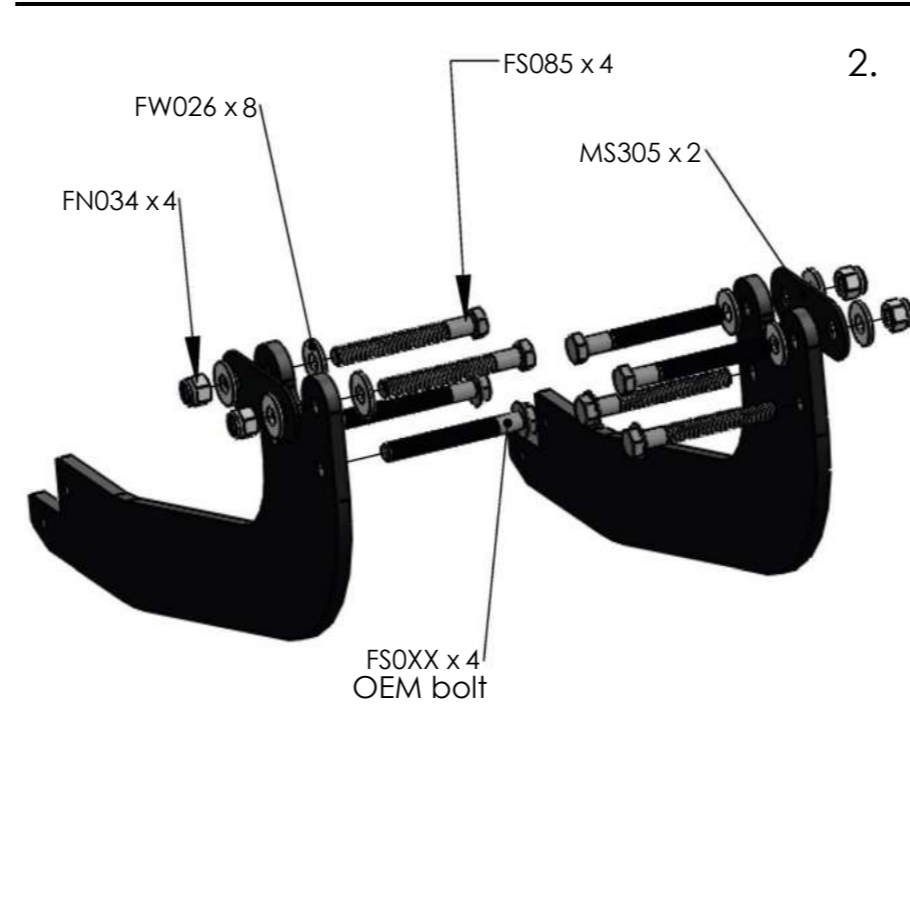
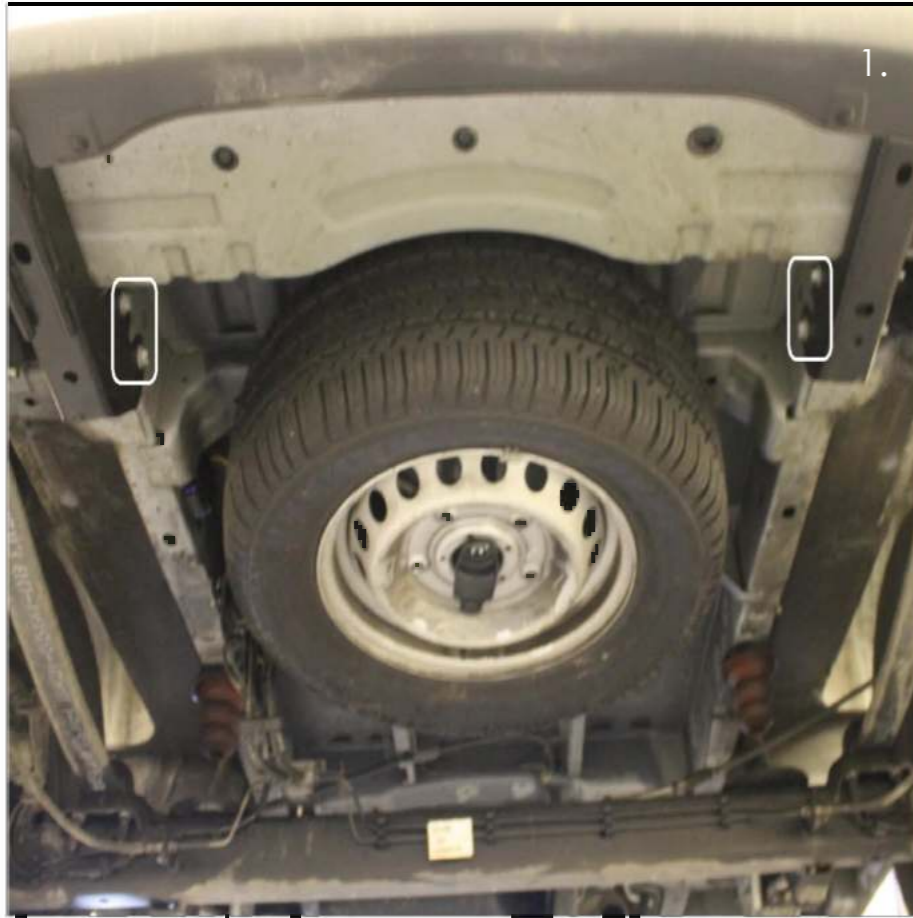


19mm x 1



x 1

IMPACT STEP FITTING INSTRUCTIONS



IMPACT STEP FITTING INSTRUCTIONS

