

### IMPACT STEP FITTING INSTRUCTIONS

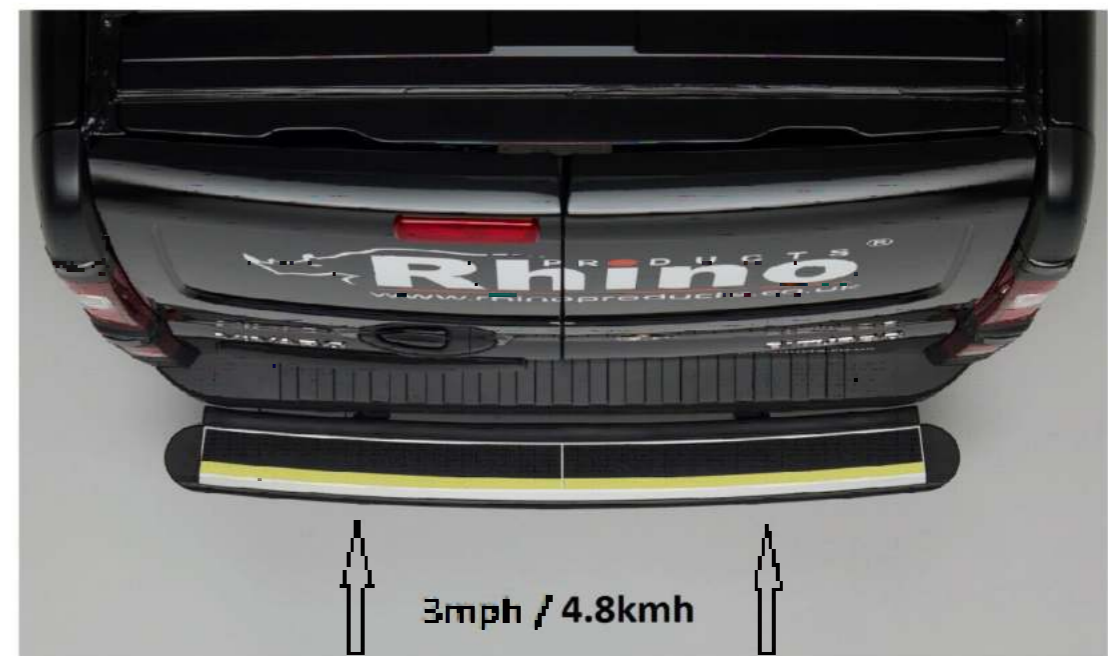
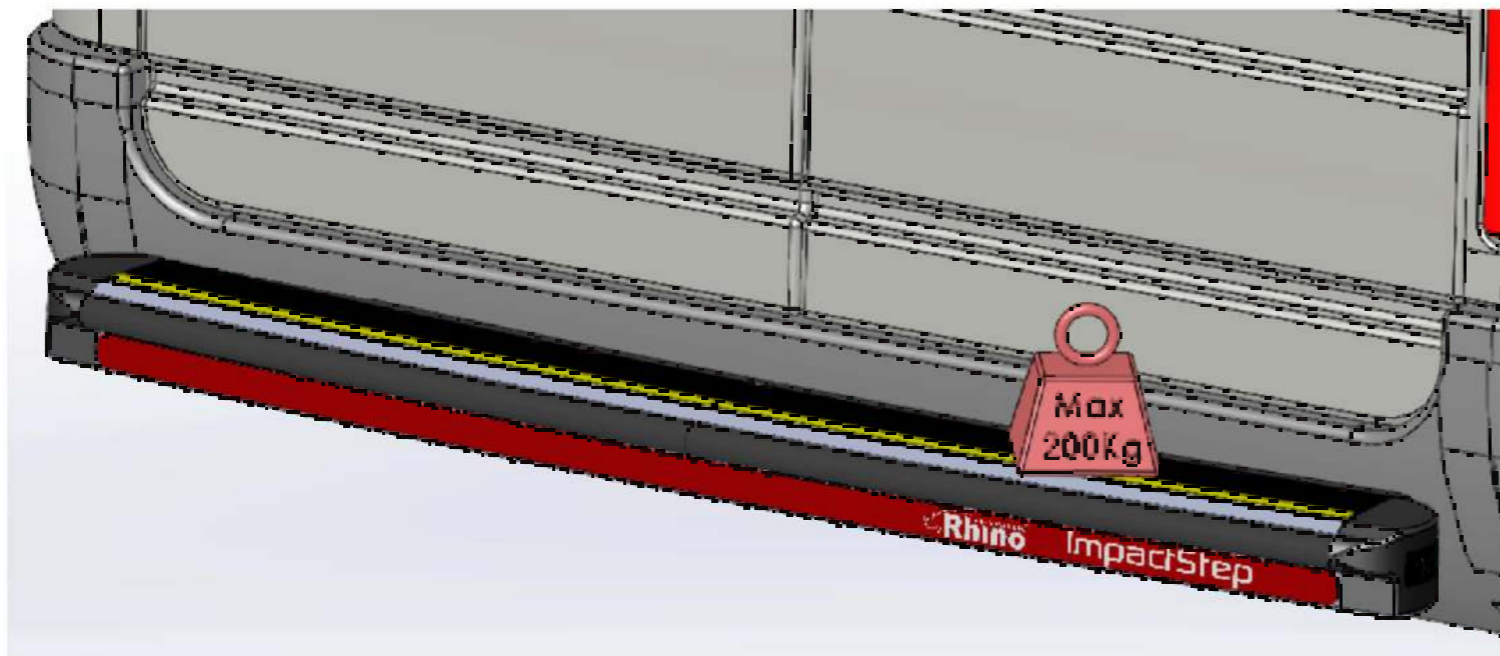
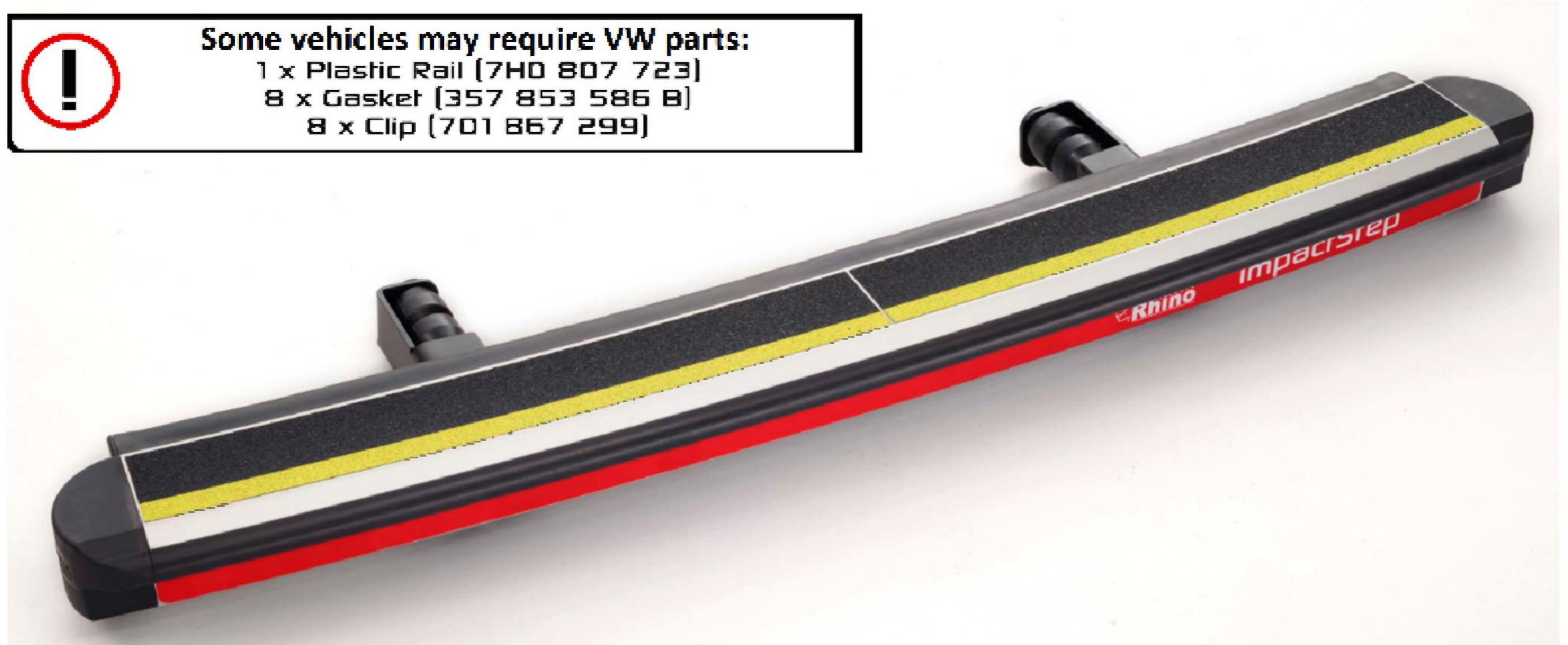


**Some vehicles may require VW parts:**

1 x Plastic Rail (7HD 807 723)

8 x Gasket (357 853 586 B)

8 x Clip (701 867 299)



IMPACT STEP FITTING INSTRUCTIONS

FITTING KIT CONTENTS FK899  
(1:1)

1

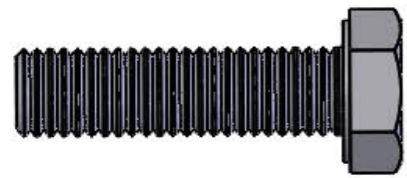


FW020 (M8) x 4

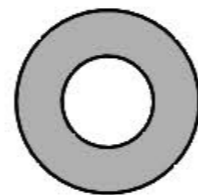
SAFESTEP	✗
IMPACT STEP	✓



FS066 (M8) x 4



FB006 (M8) x 4



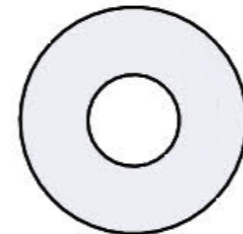
FW021 (M8) x

SAFESTEP	8
IMPACT STEP	4



FN006 (M8) x 4

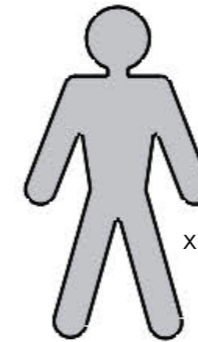
SAFESTEP	✓
IMPACT STEP	✗



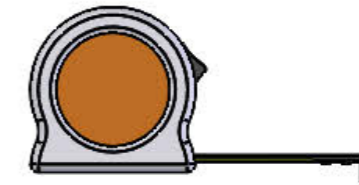
FW002 (M8) x 4

FITTING TIME: 60 Minutes

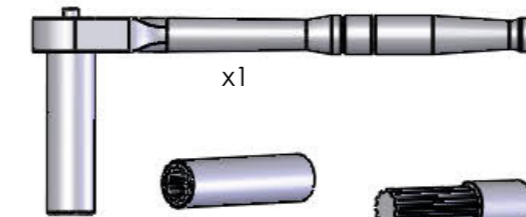
2



x1



x1



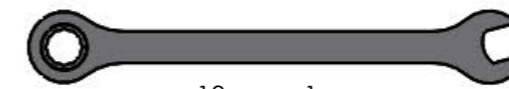
x1



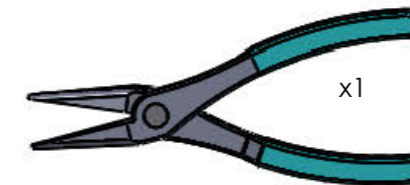
13mm



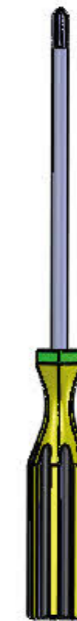
T20 Torx



13mm x 1



x1



x1

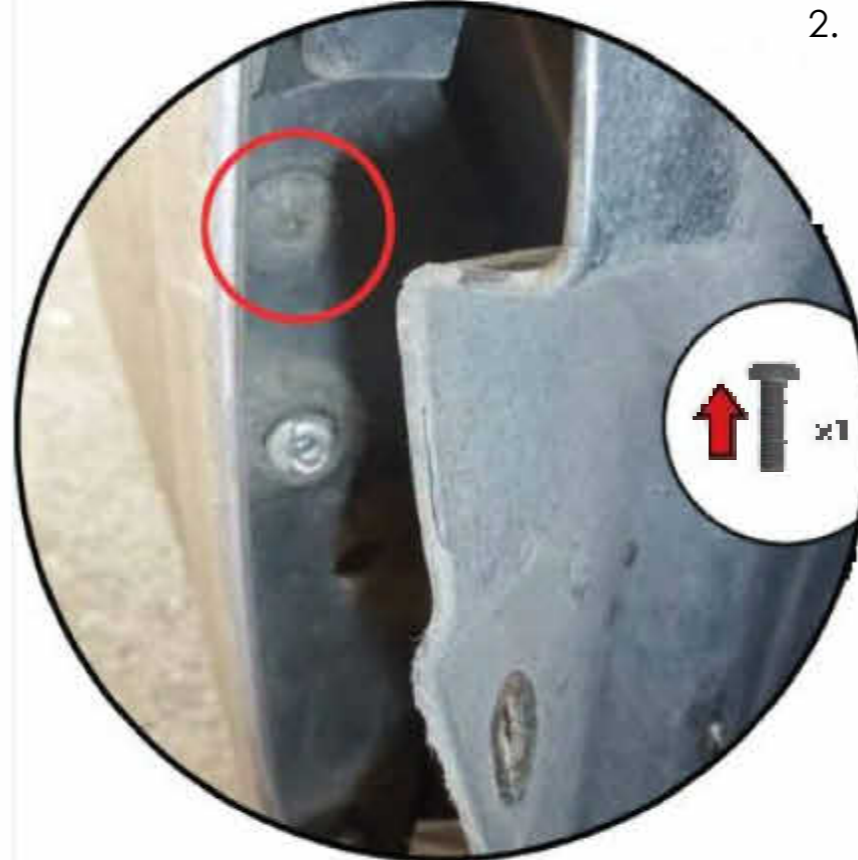


Clip remover x 1

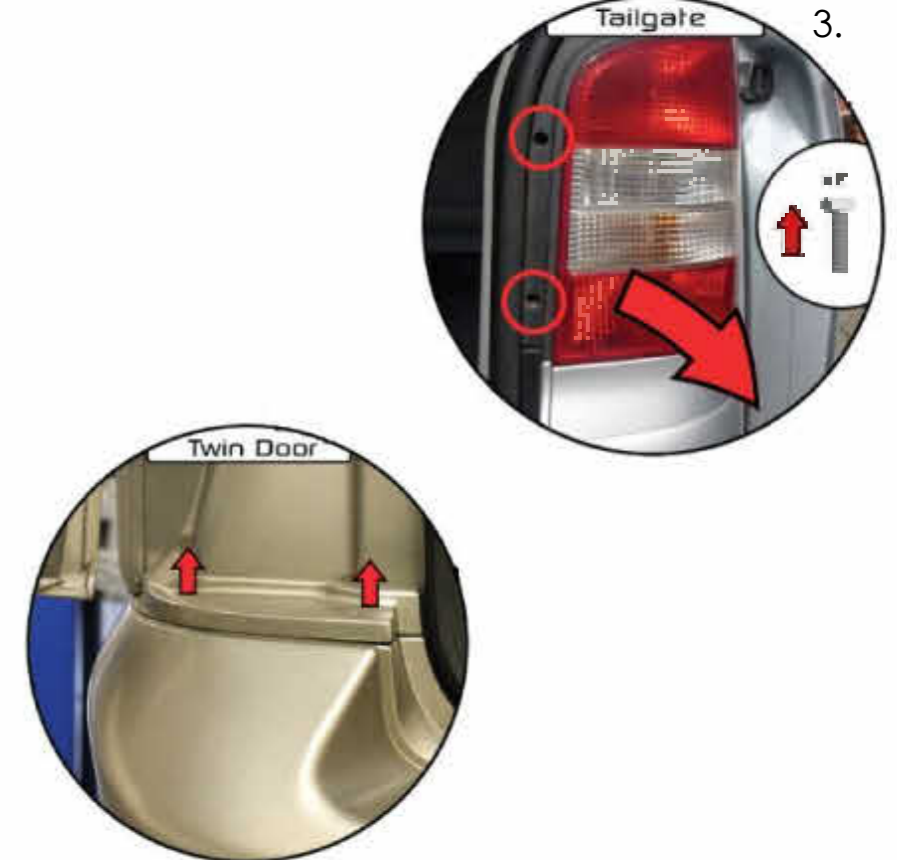
1.



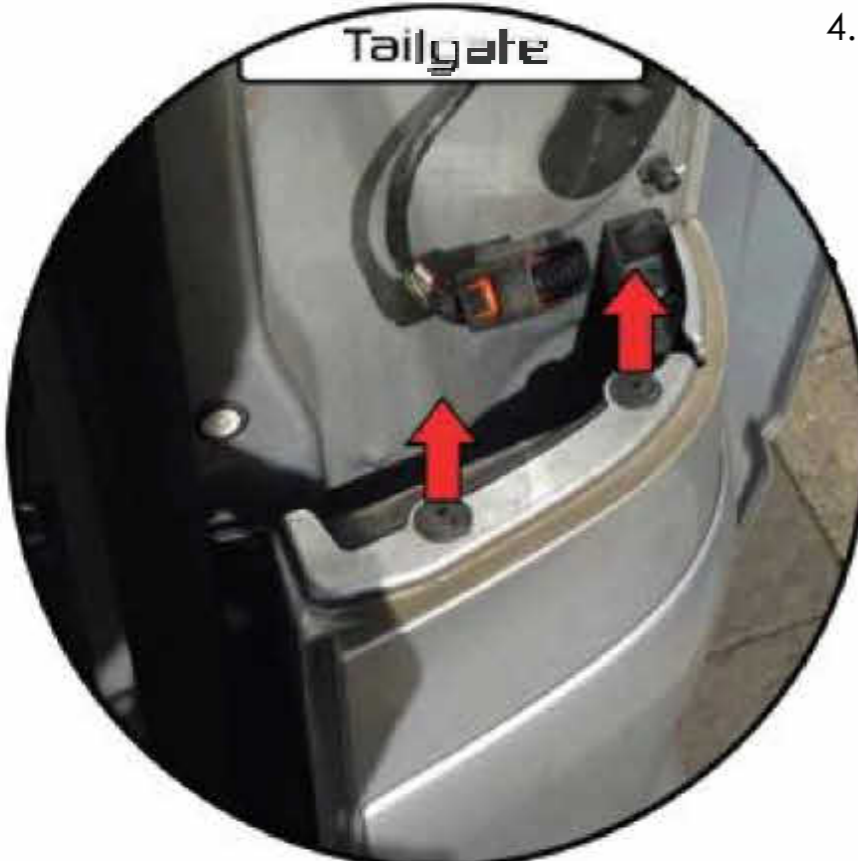
2.



3.



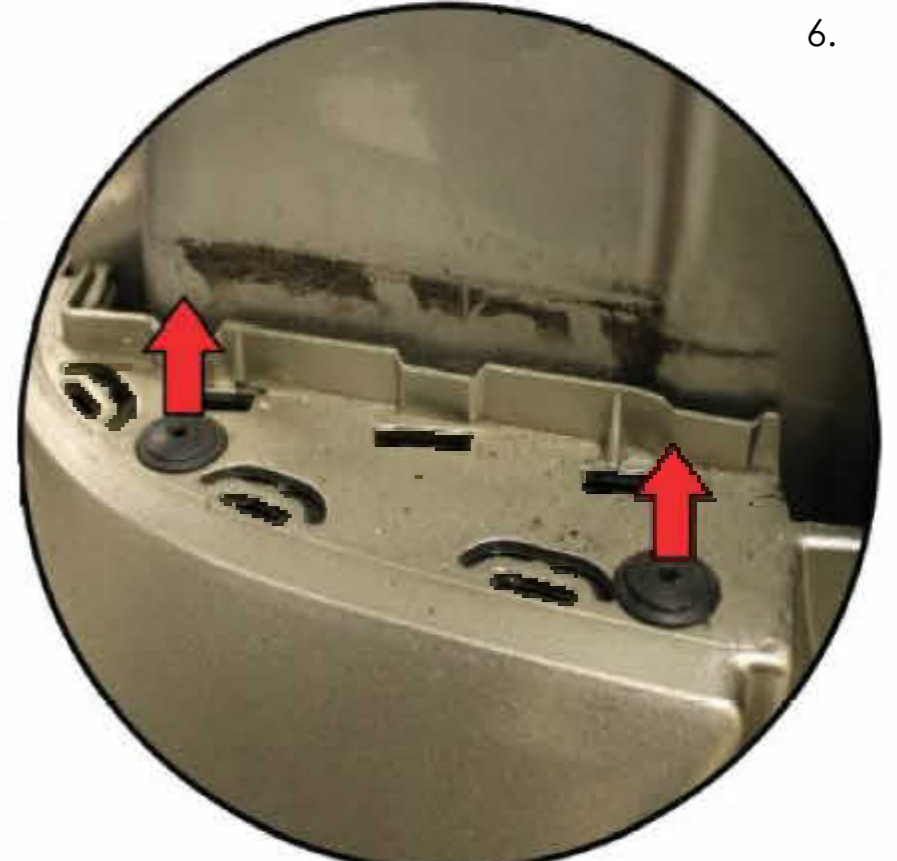
4.



5.



6.



IMPACT STEP FITTING INSTRUCTIONS

7.



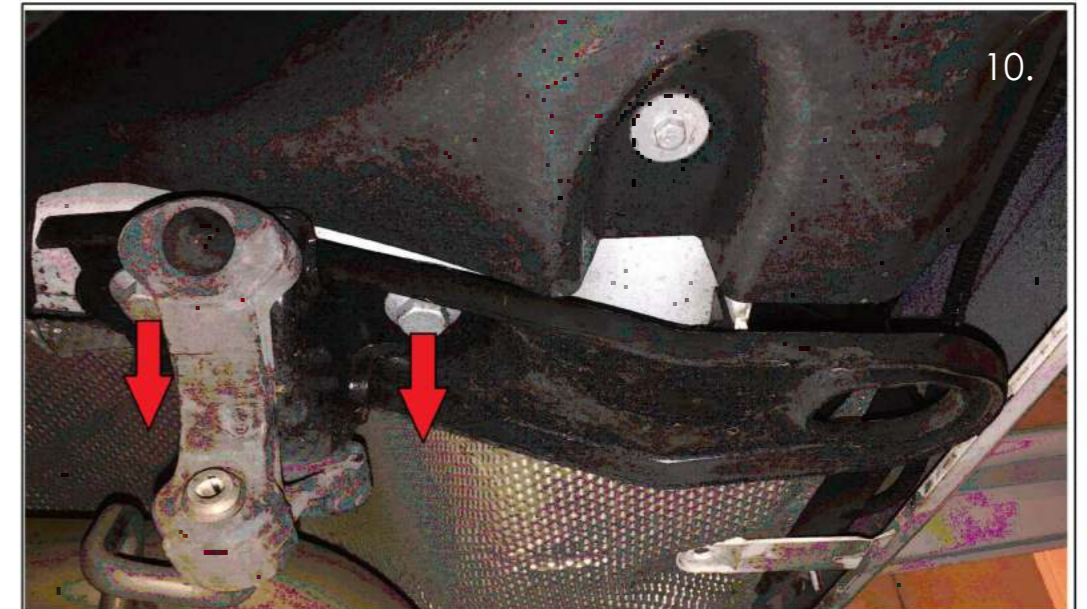
8



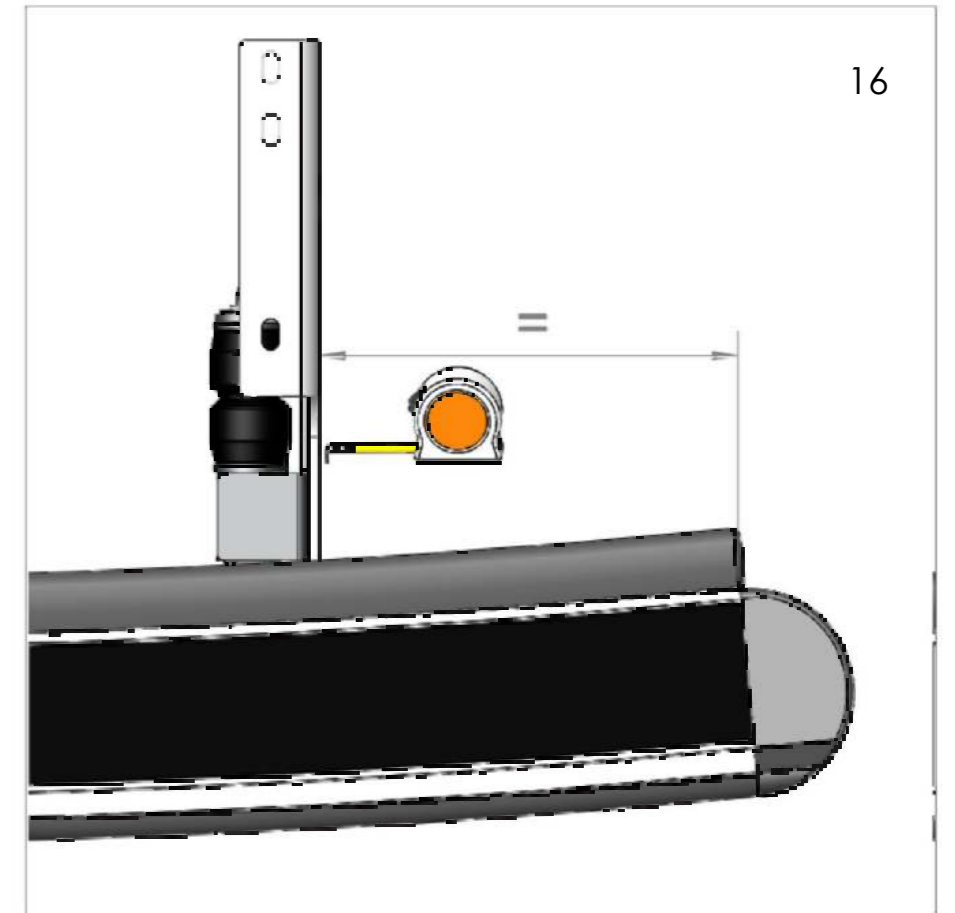
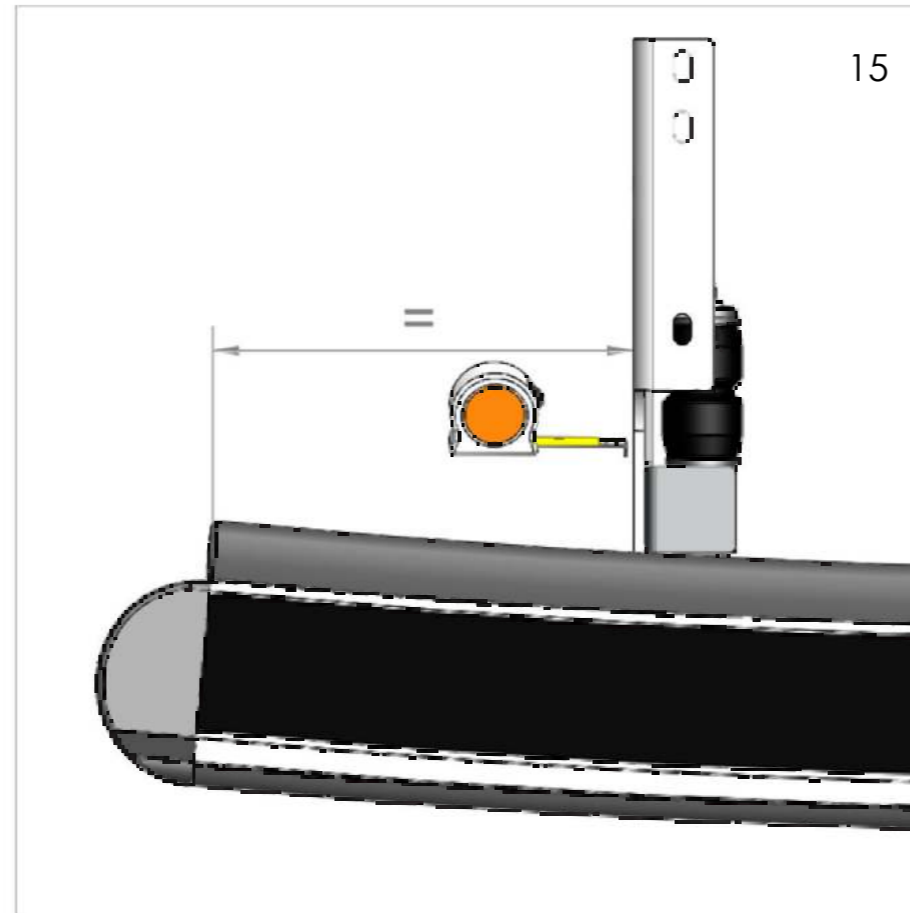
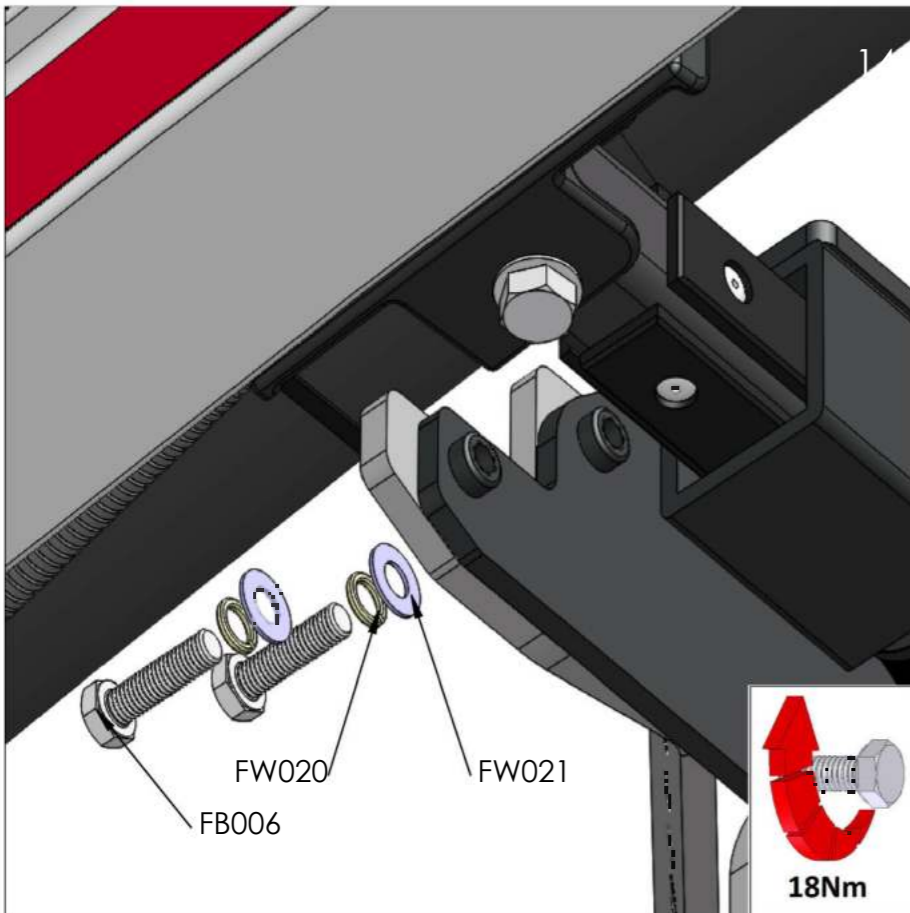
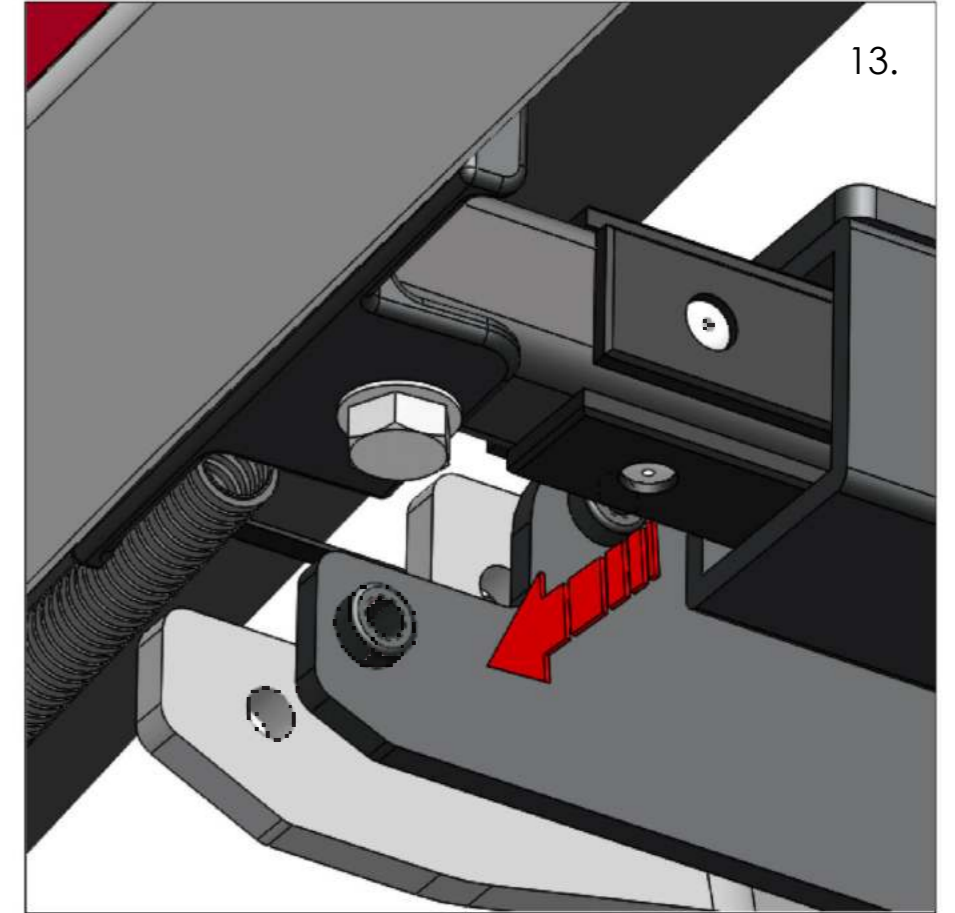
9.



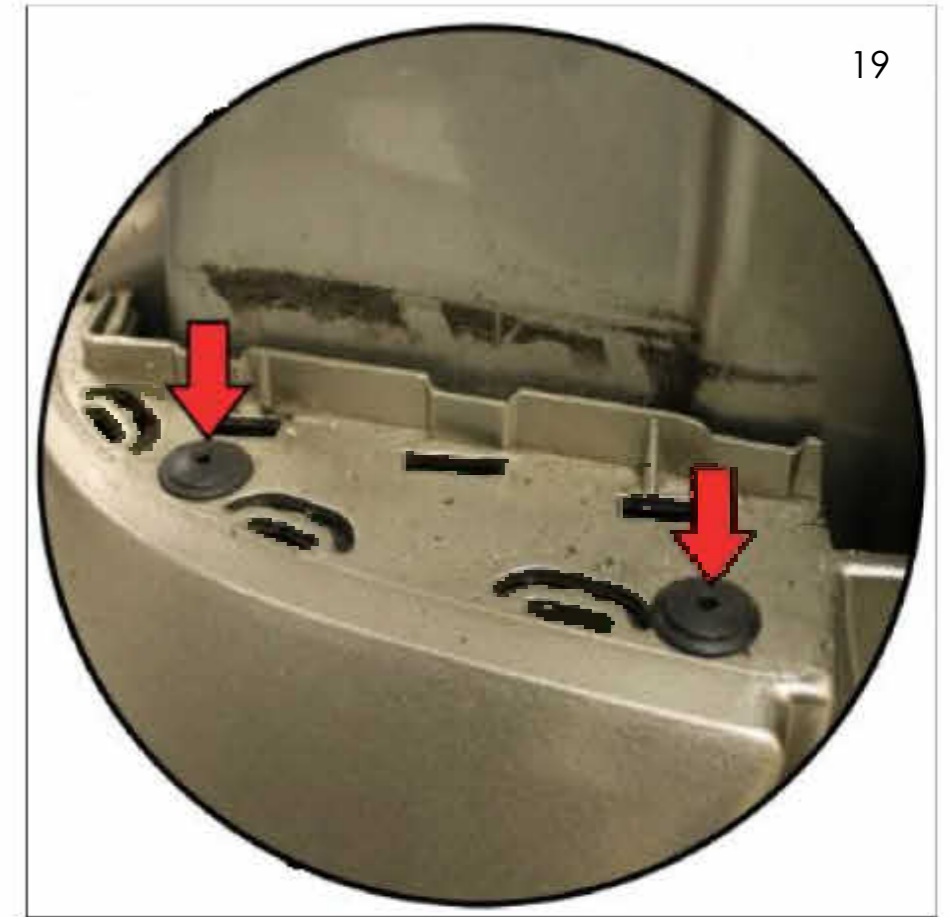
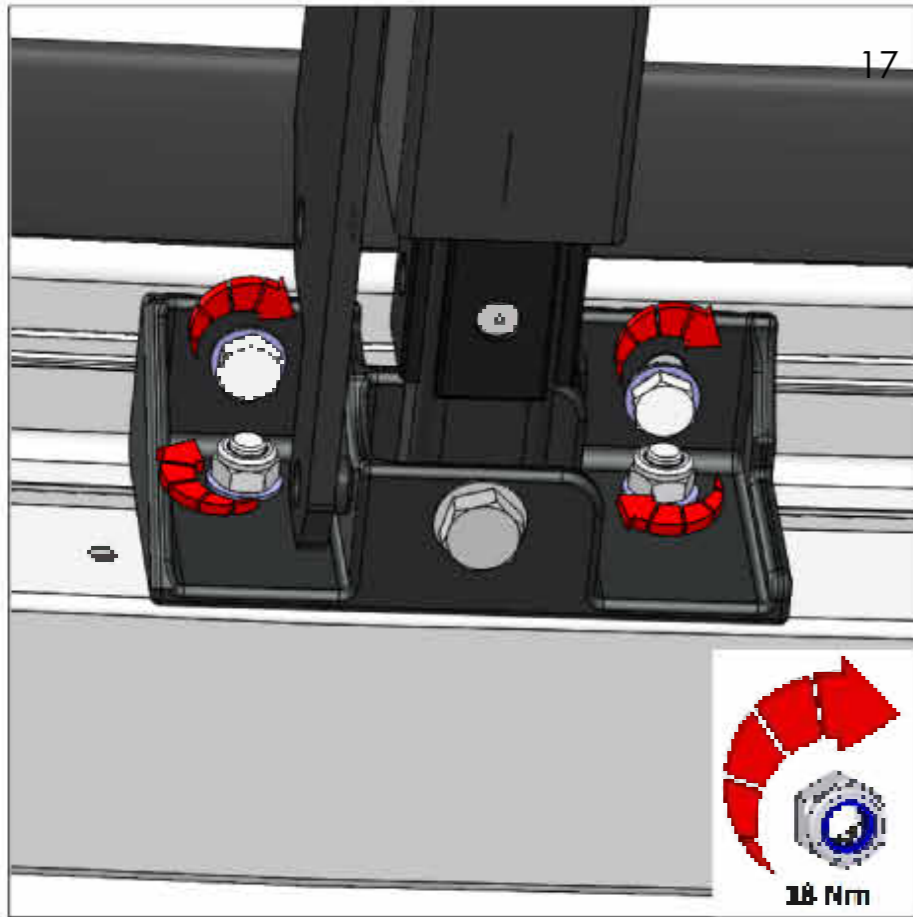
10.



IMPACT STEP FITTING INSTRUCTIONS



### IMPACT STEP FITTING INSTRUCTIONS



IMPACT STEP FITTING INSTRUCTIONS



23