

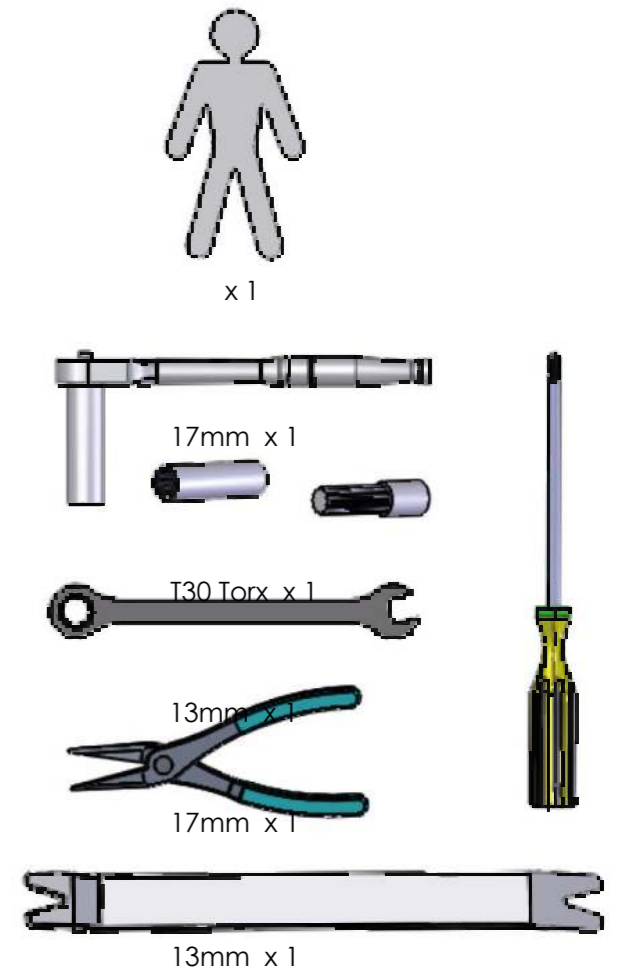
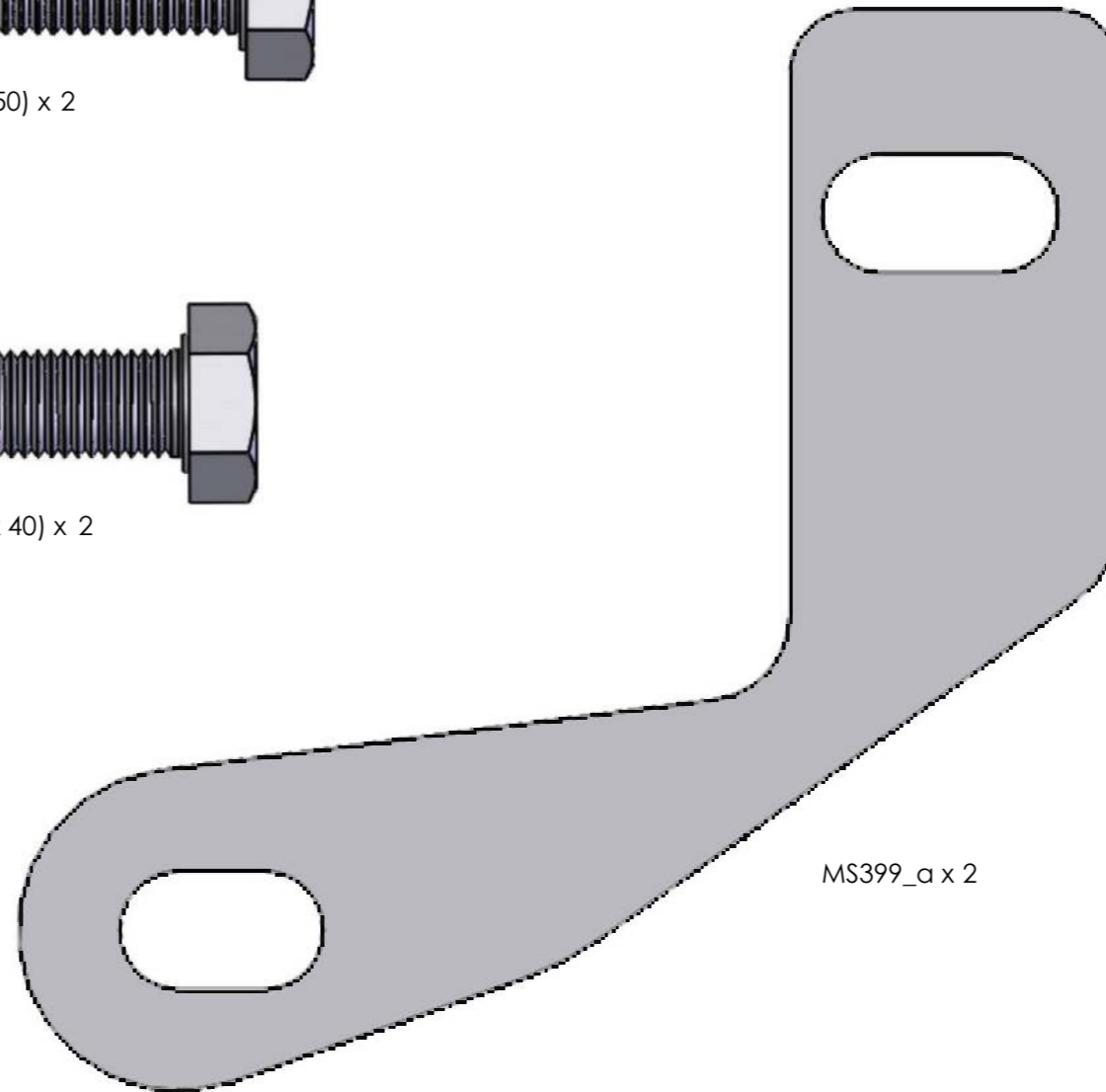
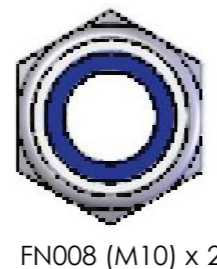
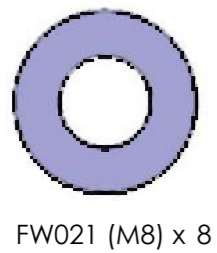
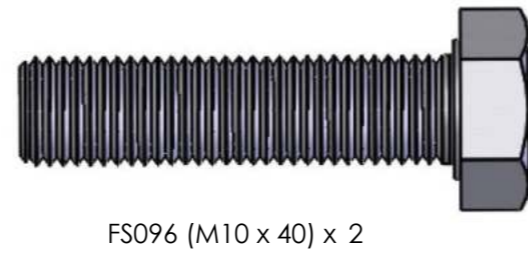
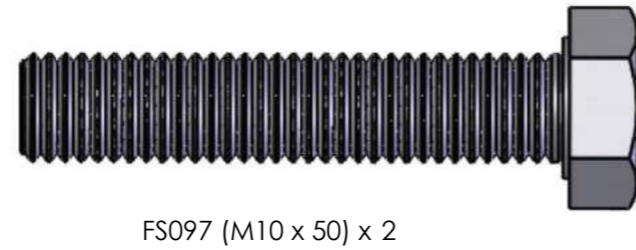
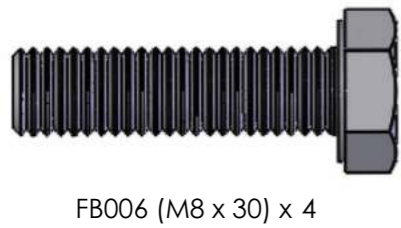
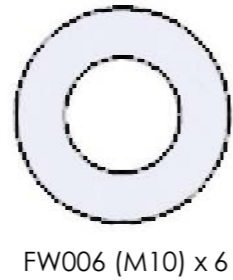
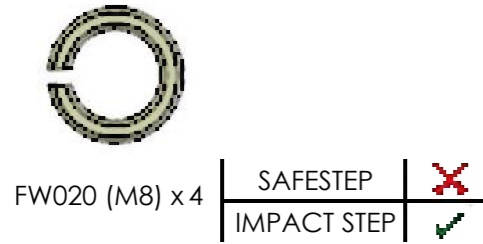
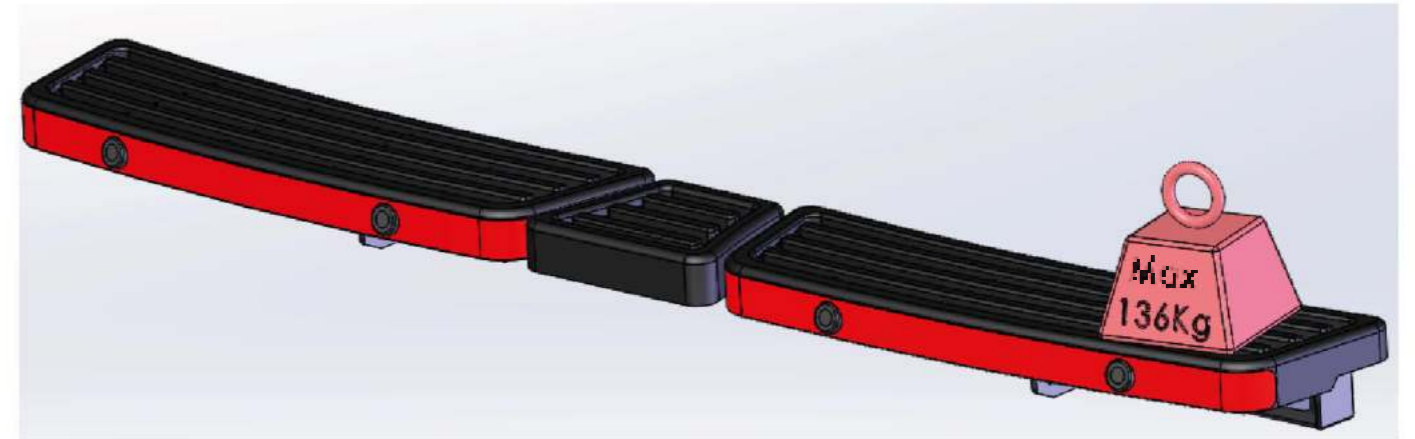
SAFESTEP FITTING INSTRUCTIONS



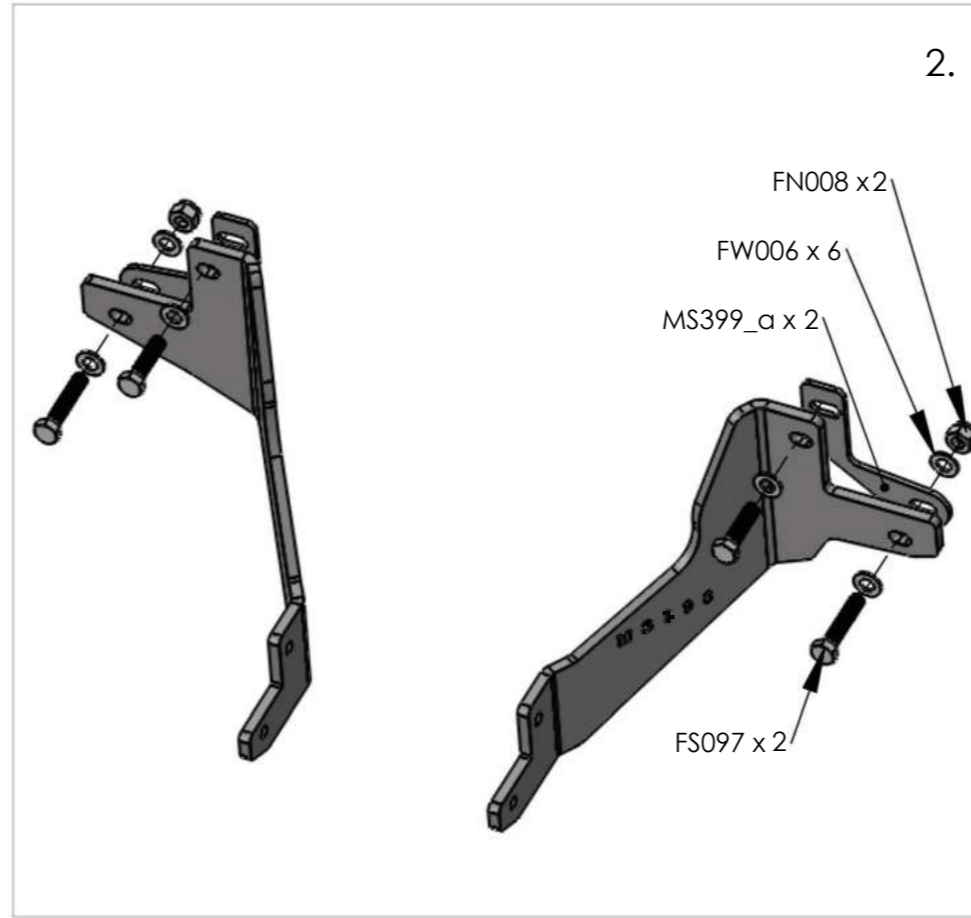
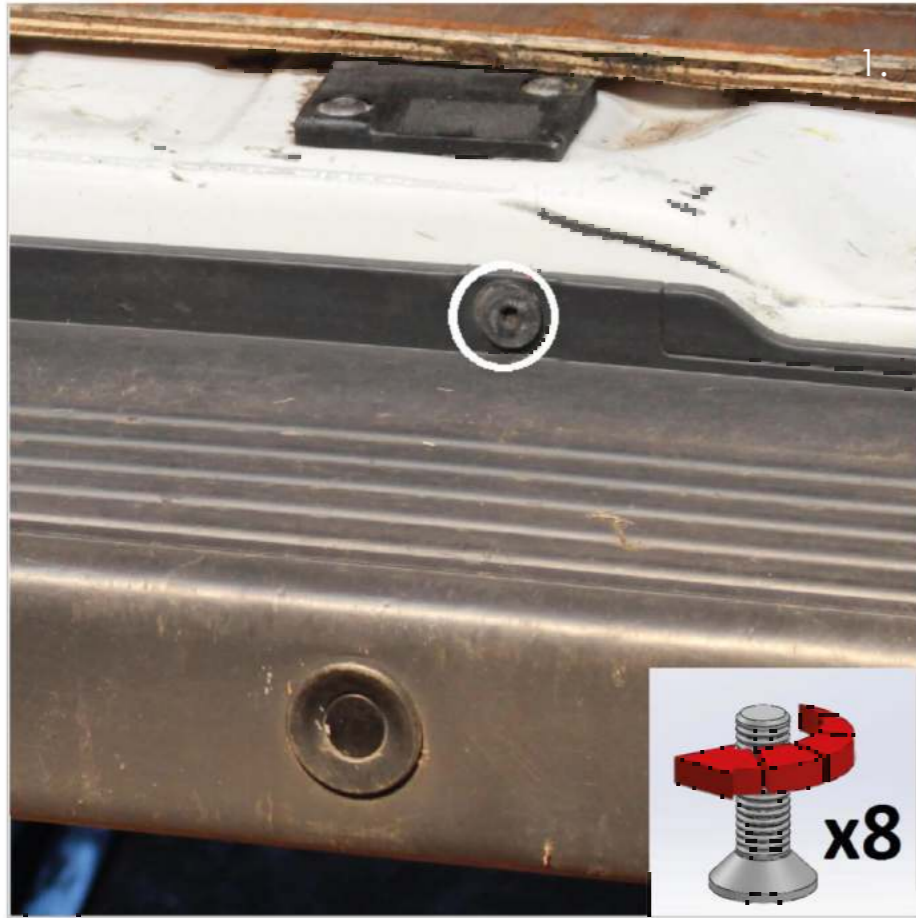
SAFESTEP FITTING INSTRUCTIONS

FITTING KIT CONTENTS FK887
(1:1)

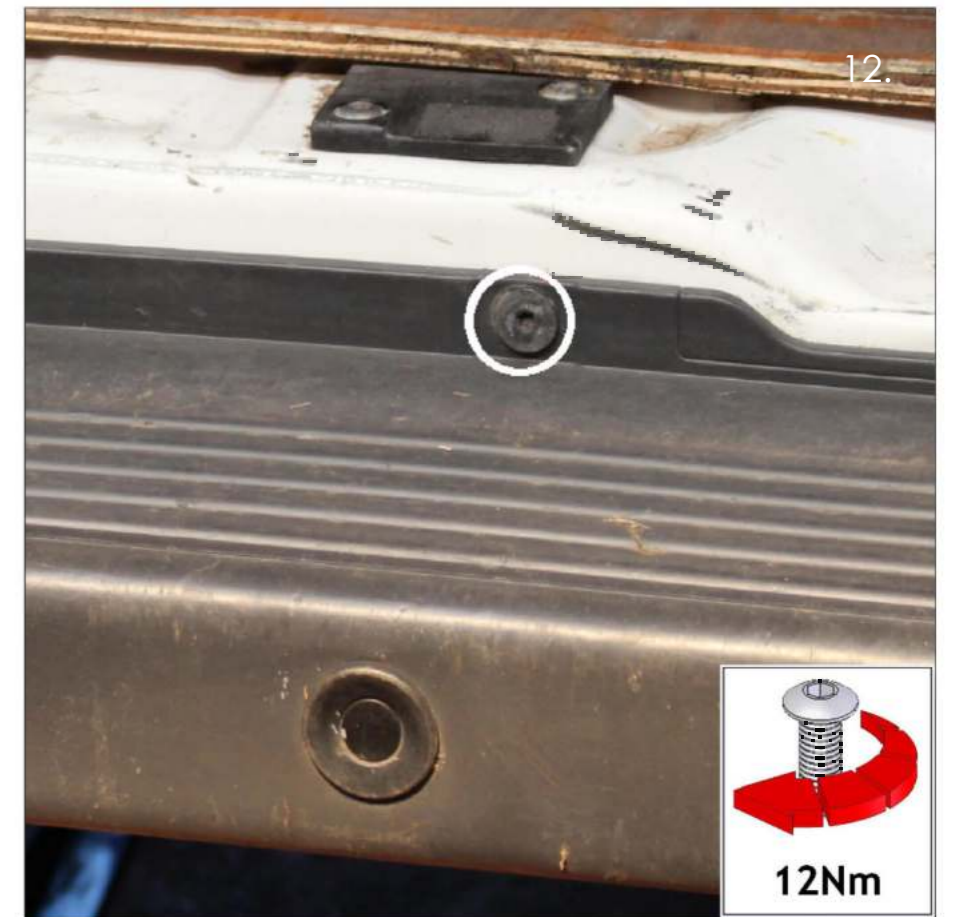
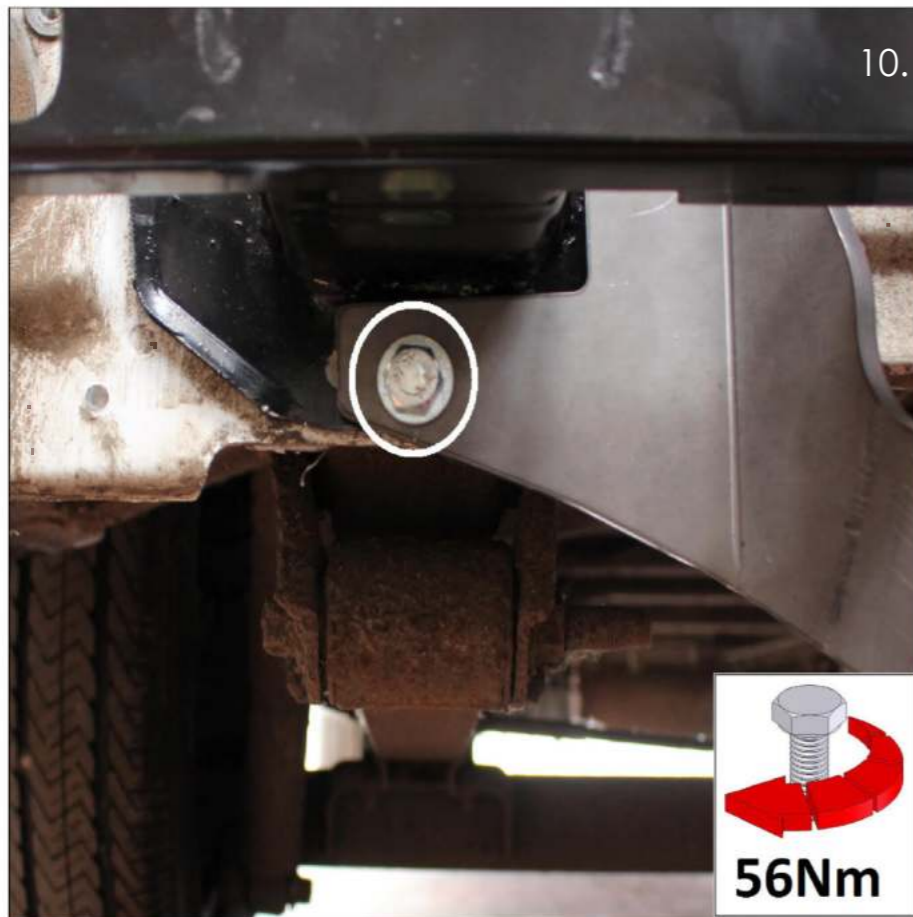
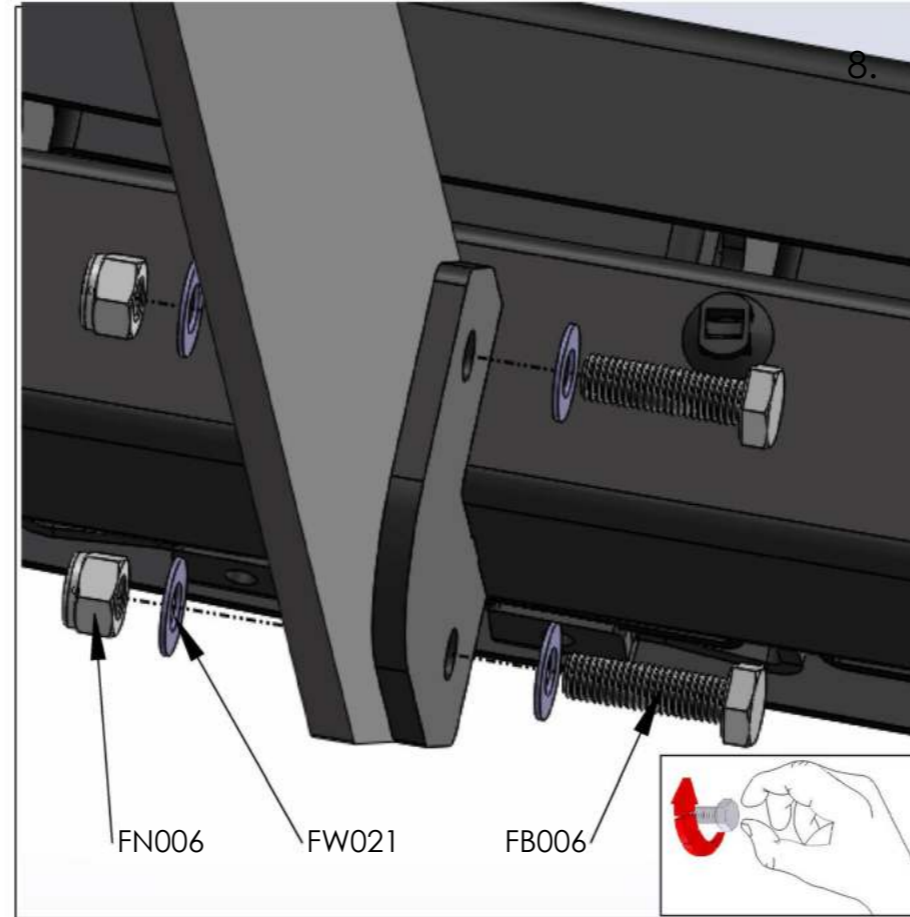
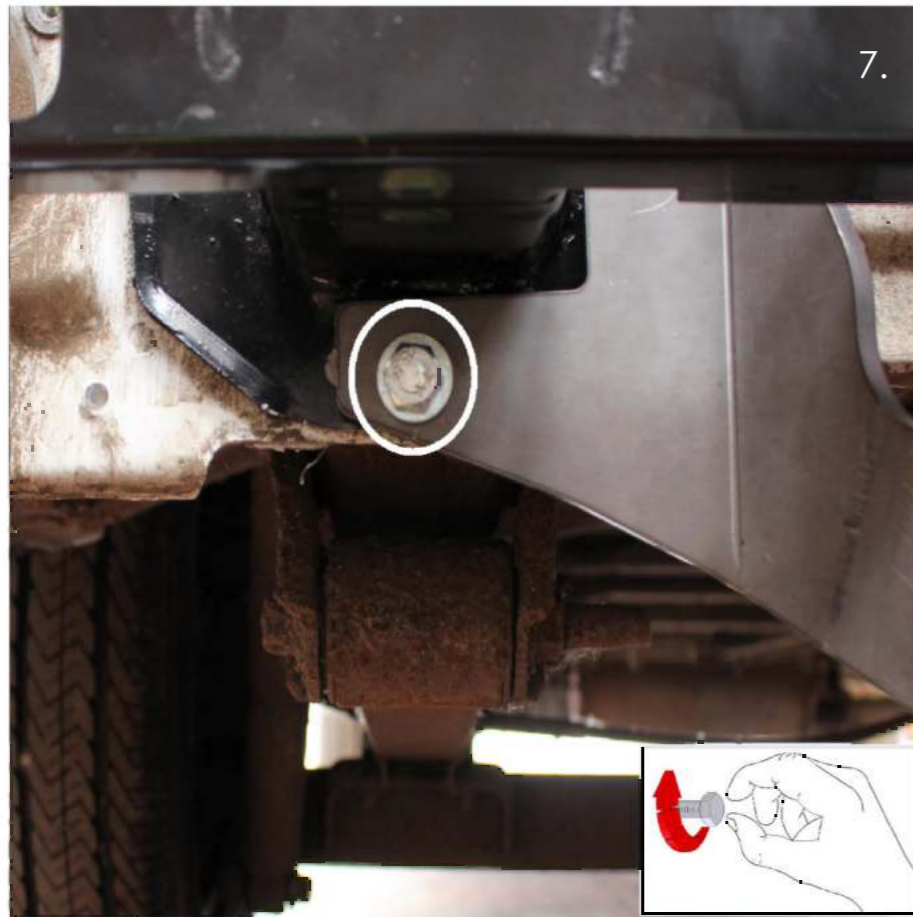
FITTING TIME: 30 Minutes



SAFESTEP FITTING INSTRUCTIONS

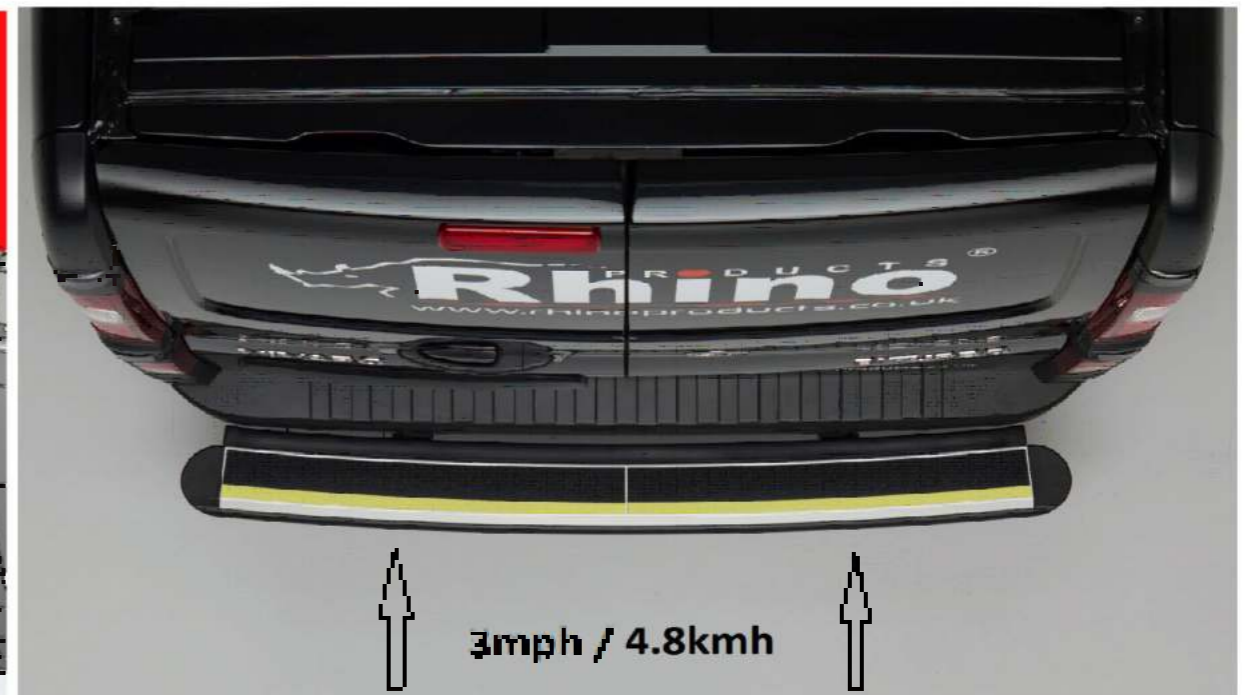
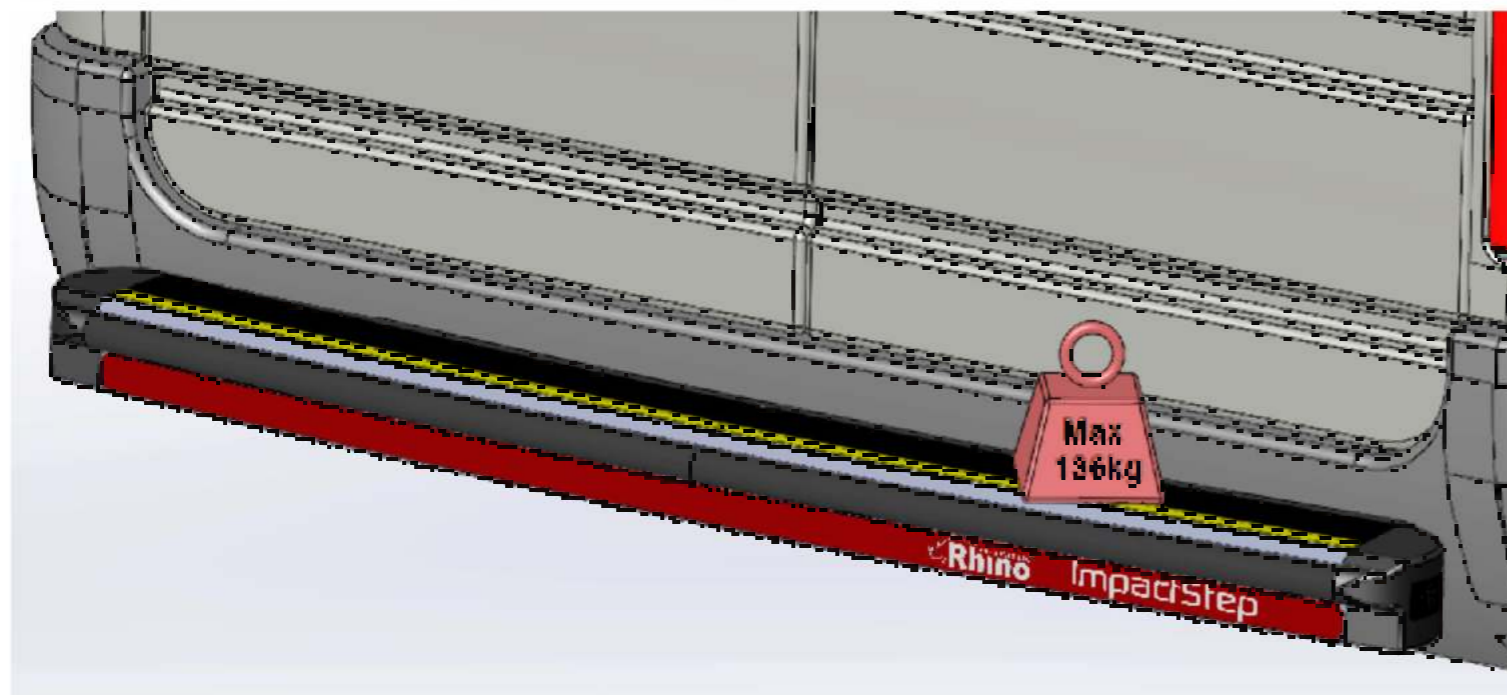


SAFESTEP FITTING INSTRUCTIONS



SSK011_d_ Boxer / Ducato Outrigger Fitting Kit

IMPACT STEP FITTING INSTRUCTIONS



IMPACT STEP FITTING INSTRUCTIONS

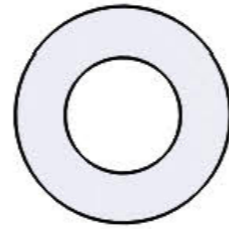
FITTING TIME: 40 Minutes

FITTING KIT CONTENTS FK887
(1:1)

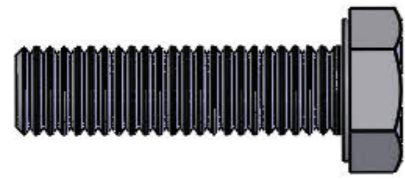


FW020 (M8) x 4

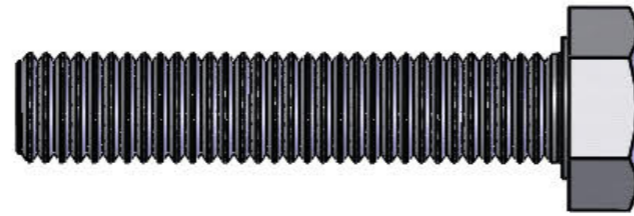
SAFESTEP	✗
IMPACT STEP	✓



FW006 (M10) x 6



FB006 (M8 x 30) x 4

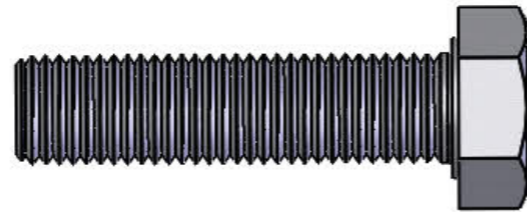


FS097 (M10 x 50) x 2

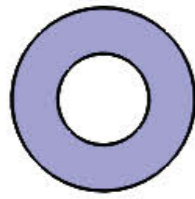


FN006 (M8) x 4

SAFESTEP	✓
IMPACT STEP	✗



FS096 (M10 x 40) x 2

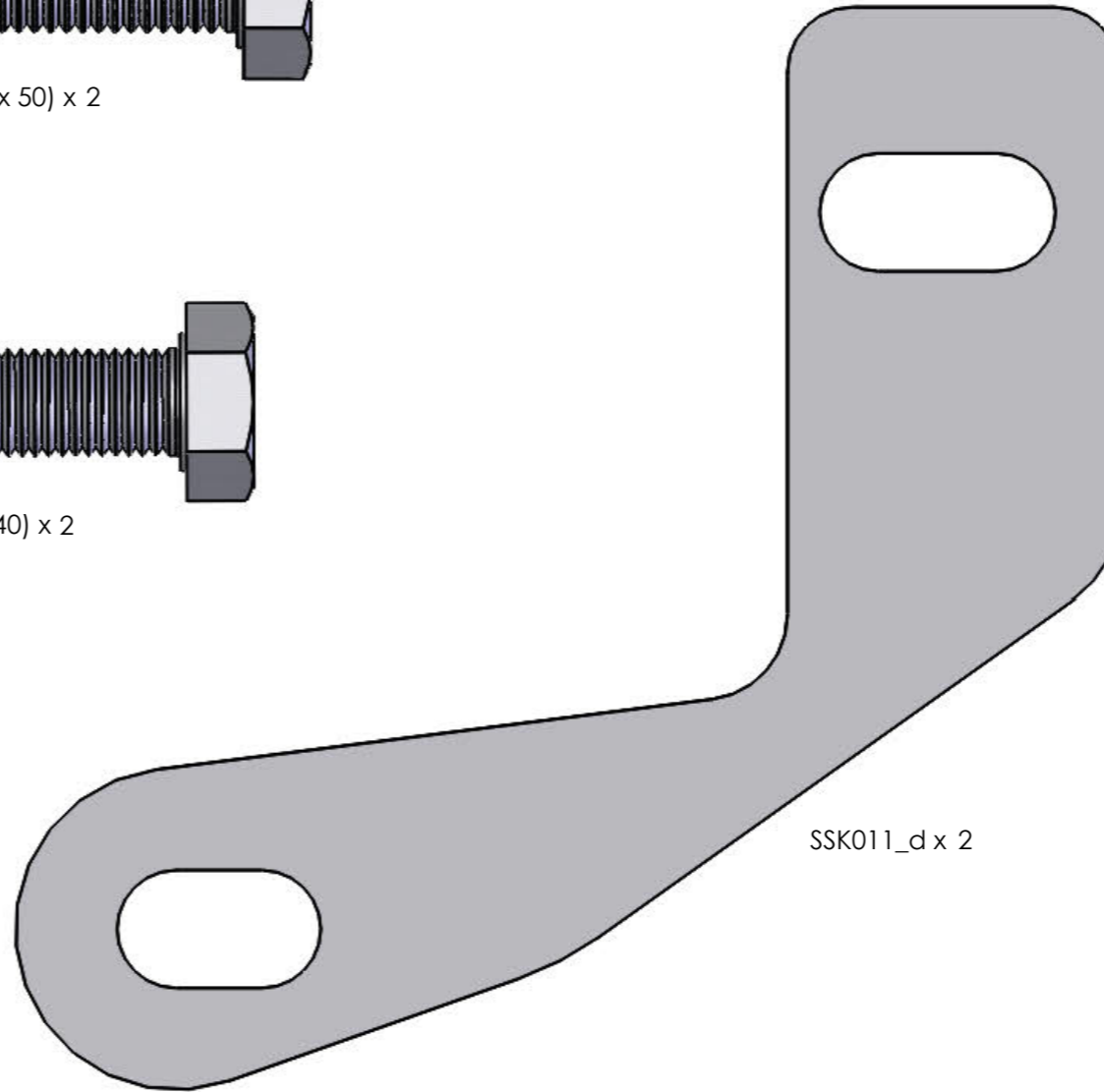


FW021 (M8) x 4

SAFESTEP	8
IMPACT STEP	4



FN008 (M10) x 2



SSK011_d x 2



x 1



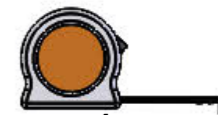
17mm x 1



T30 Torx x 1

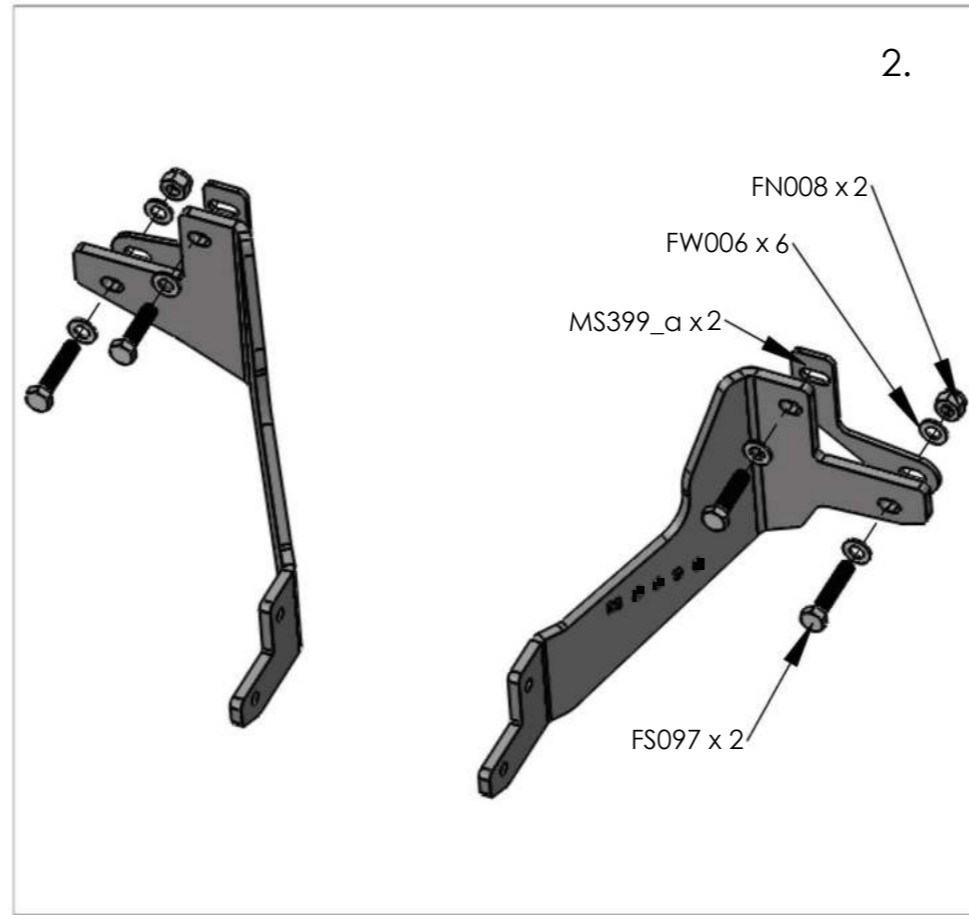
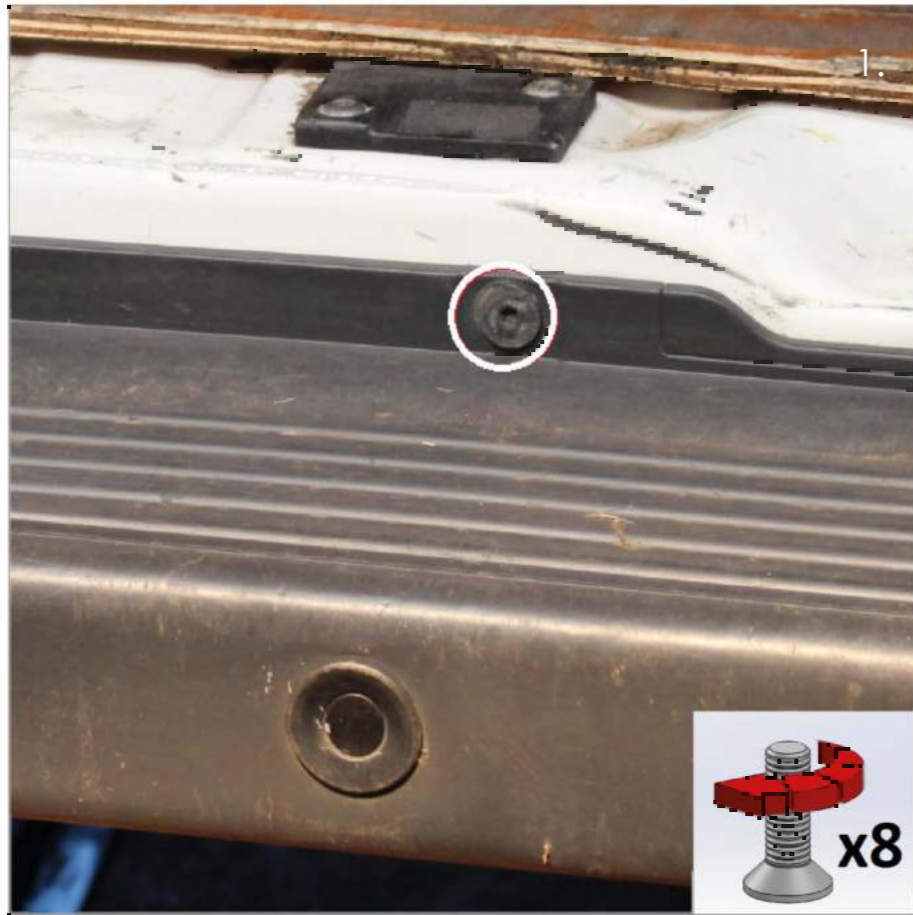


13mm x 1

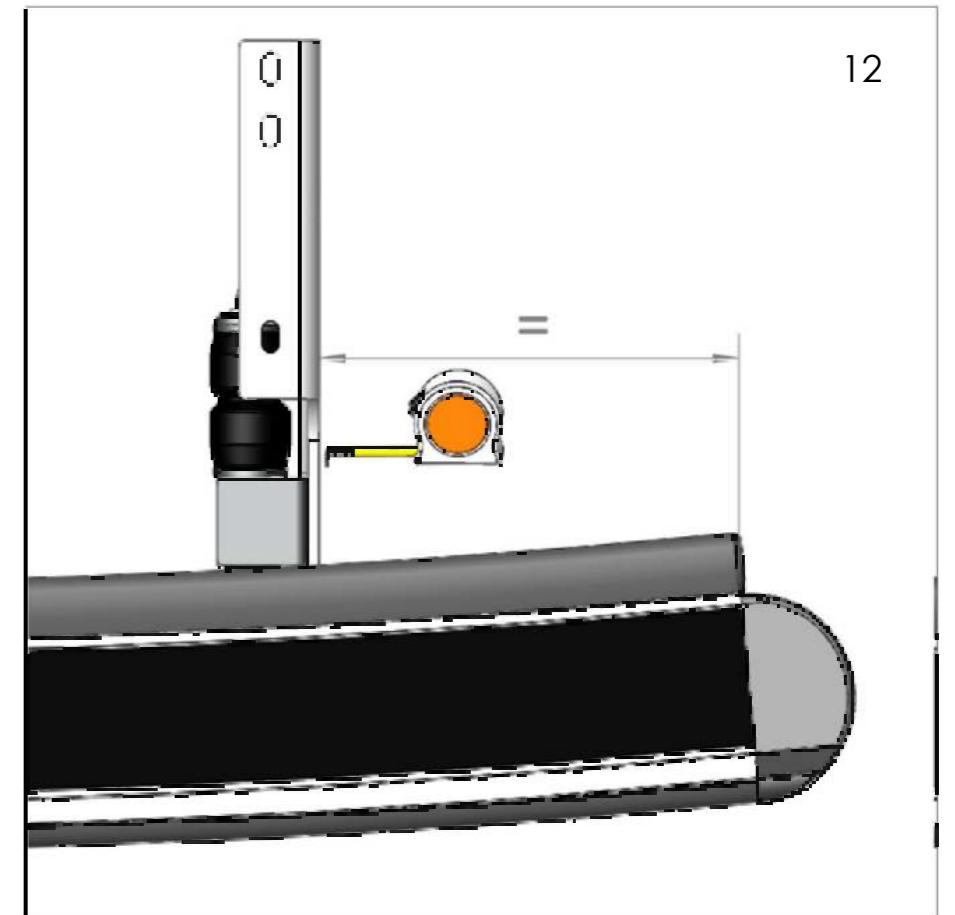
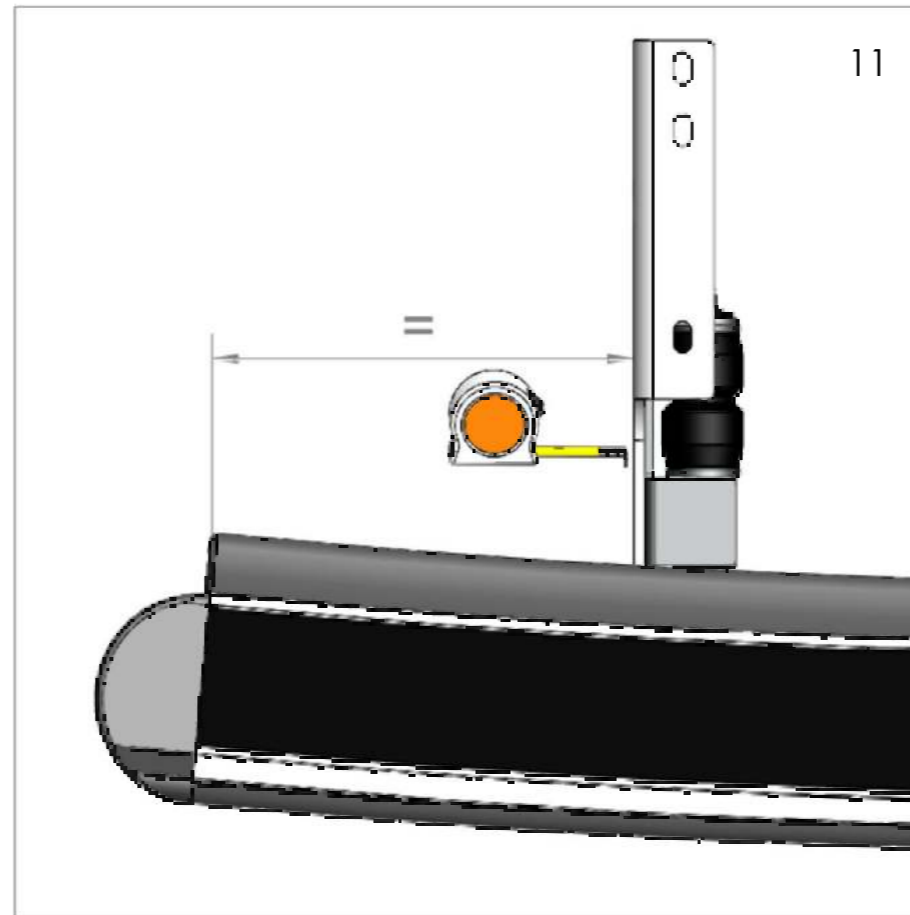
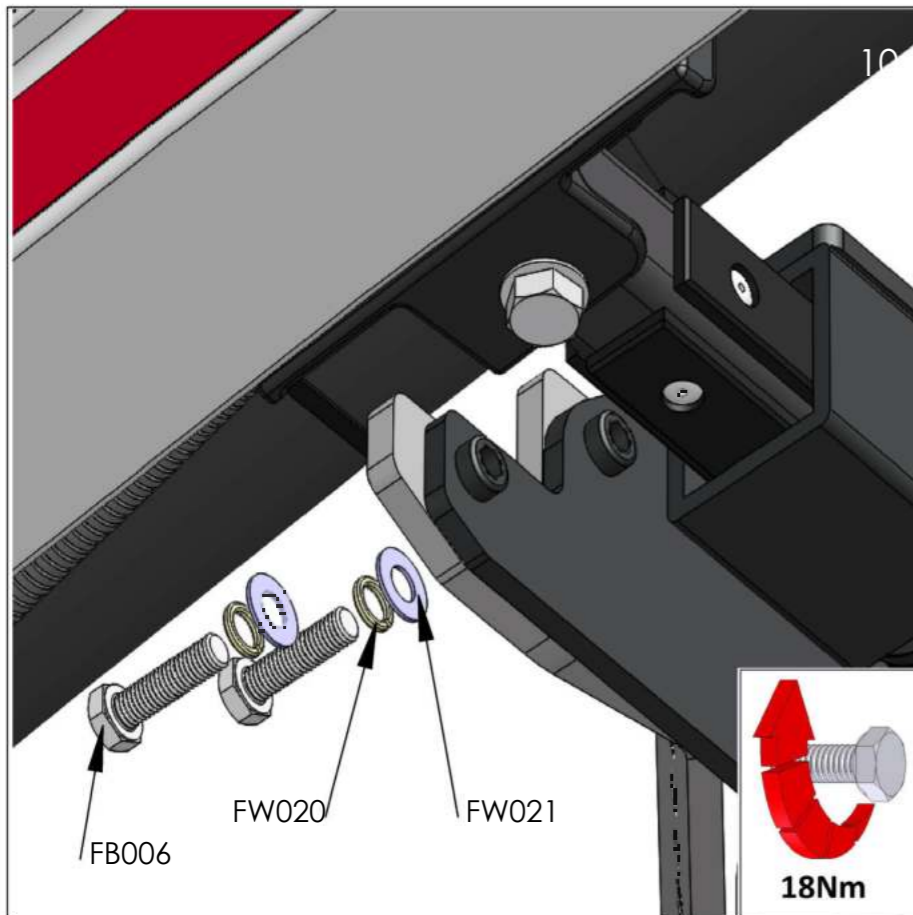
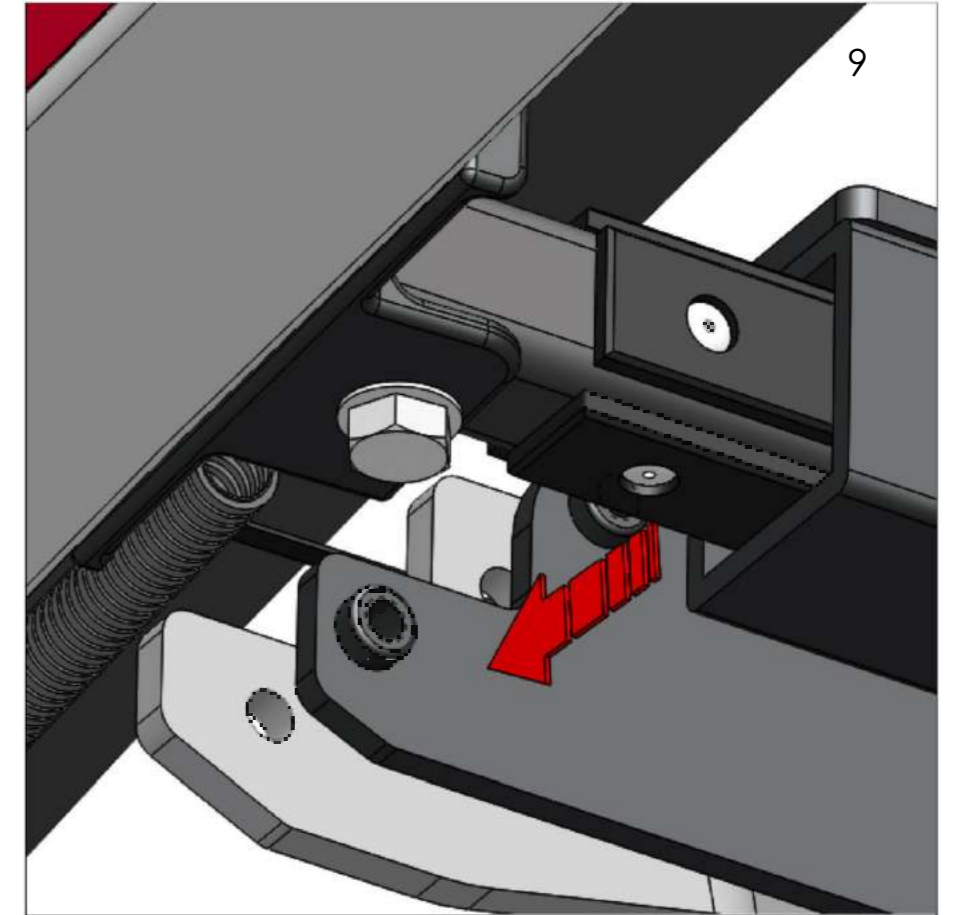
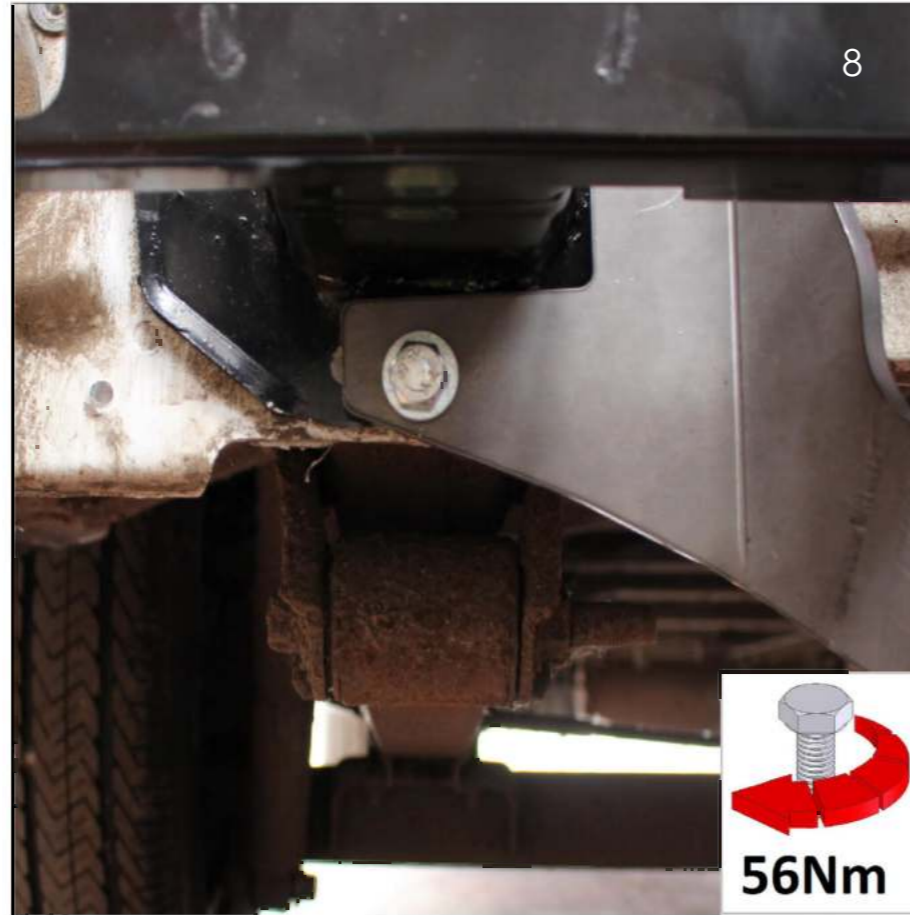


x 1

IMPACT STEP FITTING INSTRUCTIONS



IMPACT STEP FITTING INSTRUCTIONS



IMPACT STEP FITTING INSTRUCTIONS

