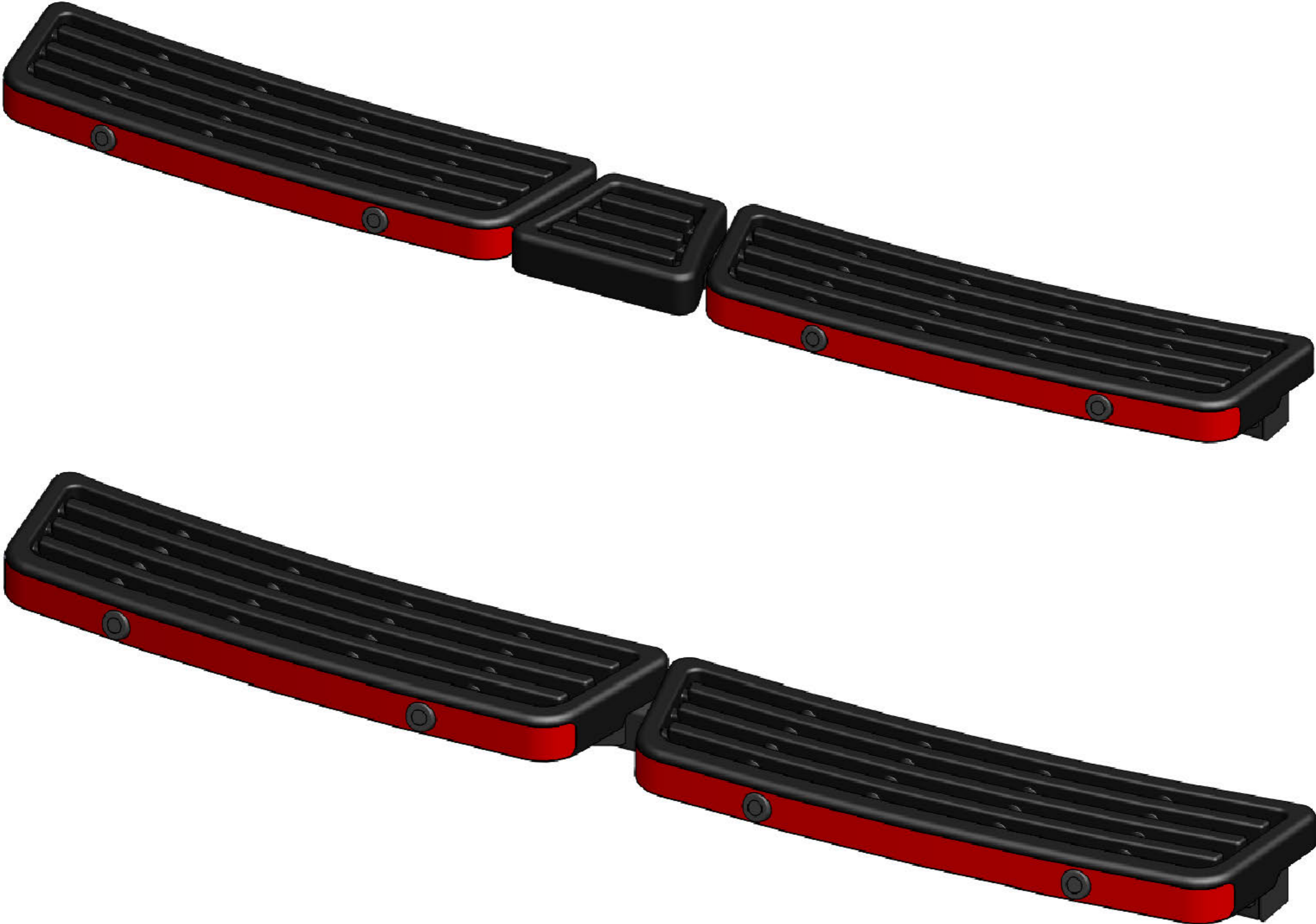


SAFESTEP FITTING INSTRUCTIONS



SAFESTEP FITTING INSTRUCTIONS

FITTING KIT CONTENTS FK884 (1:1)

1.



FW020 (M8) x 4

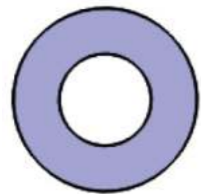
SAFESTEP	✗
IMPACT STEP	✓



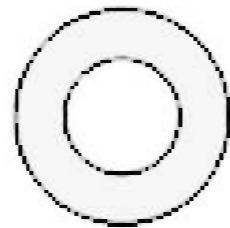
FB006 (M8 x 30) x 4



FS088 (M10 x 35) x 6



FW021 (M8) x 8



FW006 (M10) x 12



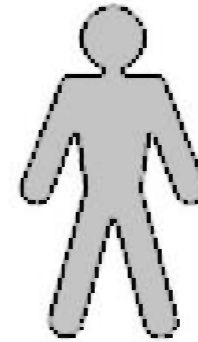
FN006 (M8) x 4



FN008 (M10) x 6

FITTING TIME: 20 Minutes

2.



x 1



17mm x 1



13mm x 1



13mm x 1



17mm x 1

SAFESTEP FITTING INSTRUCTIONS

OEM STEP REMOVAL

1.



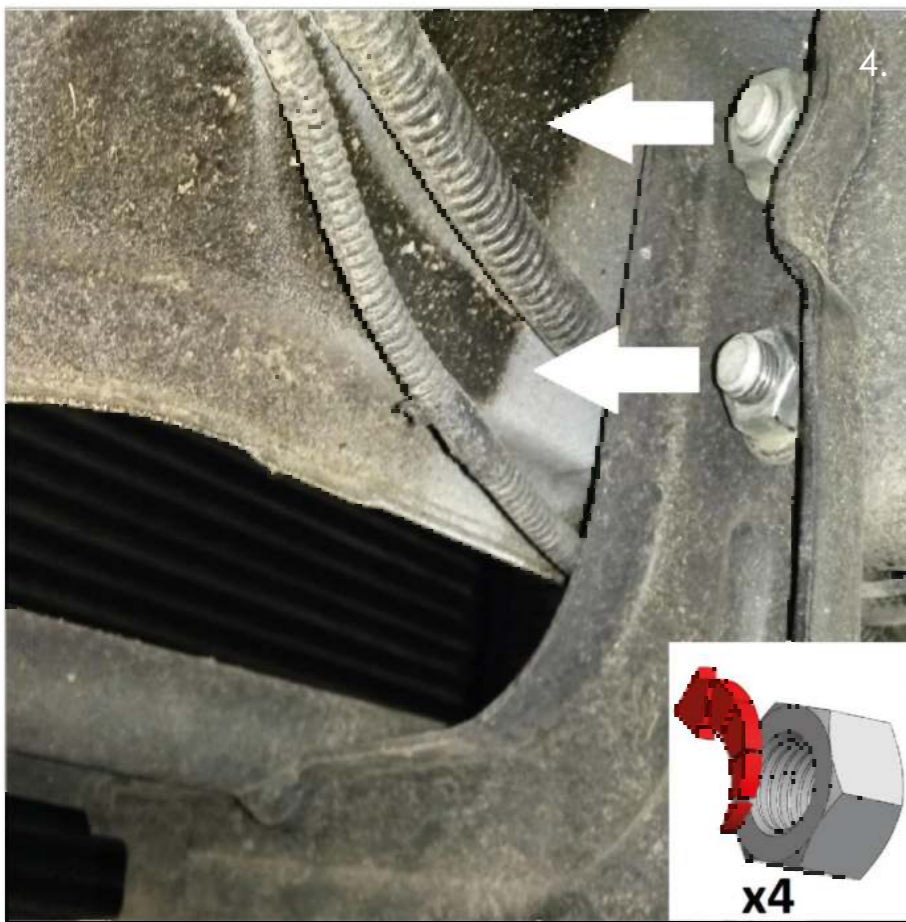
2.



3.



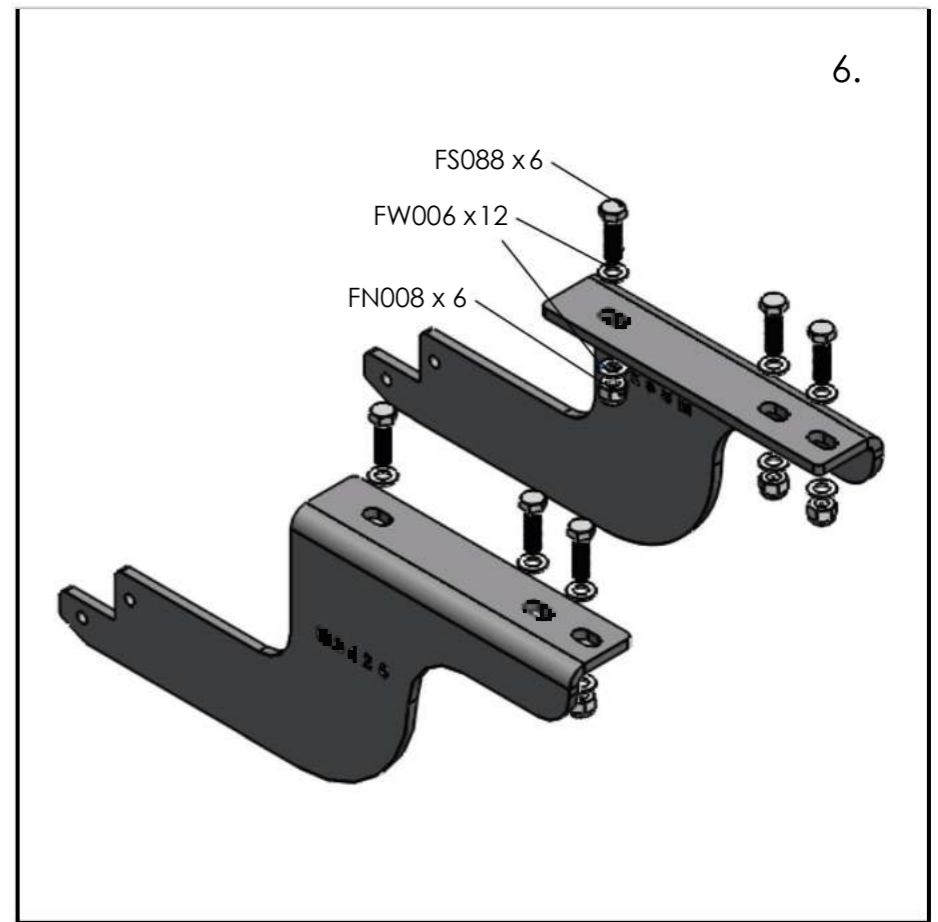
4.



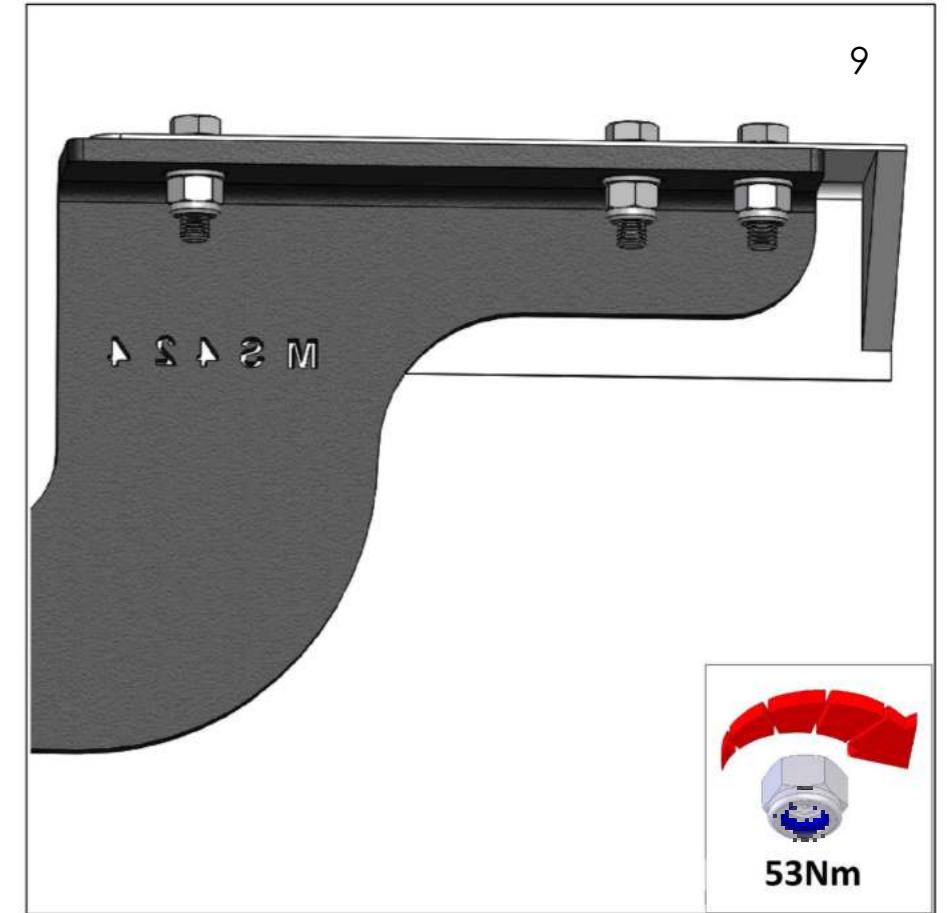
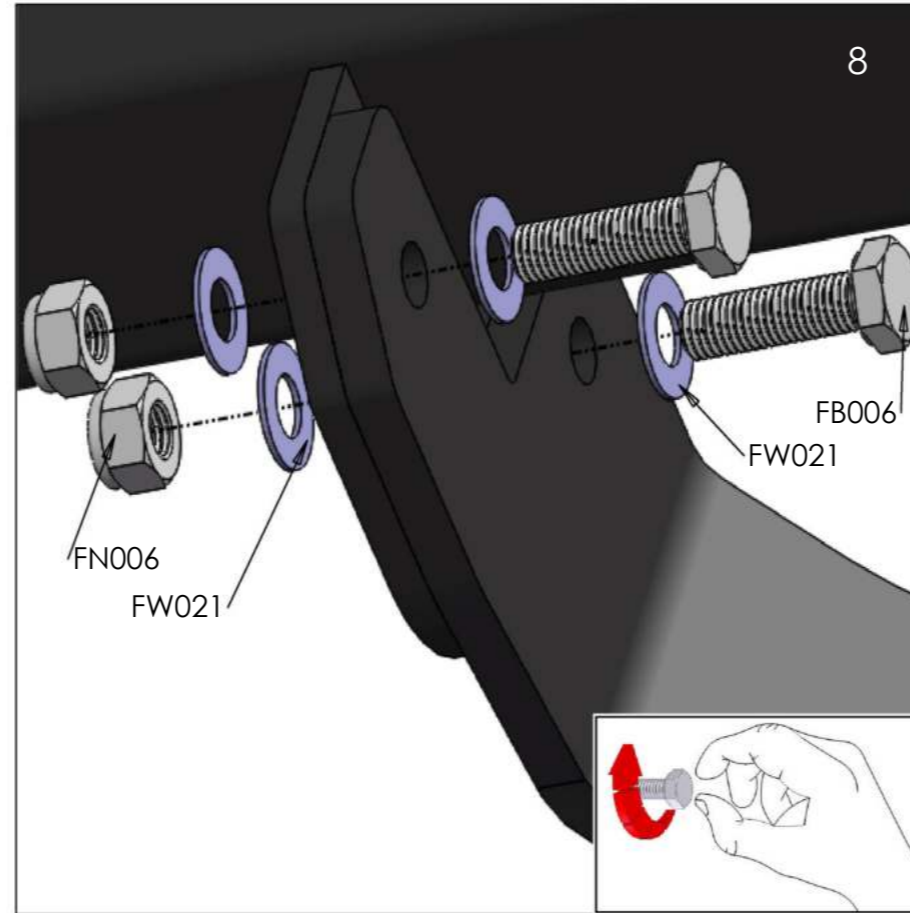
5.



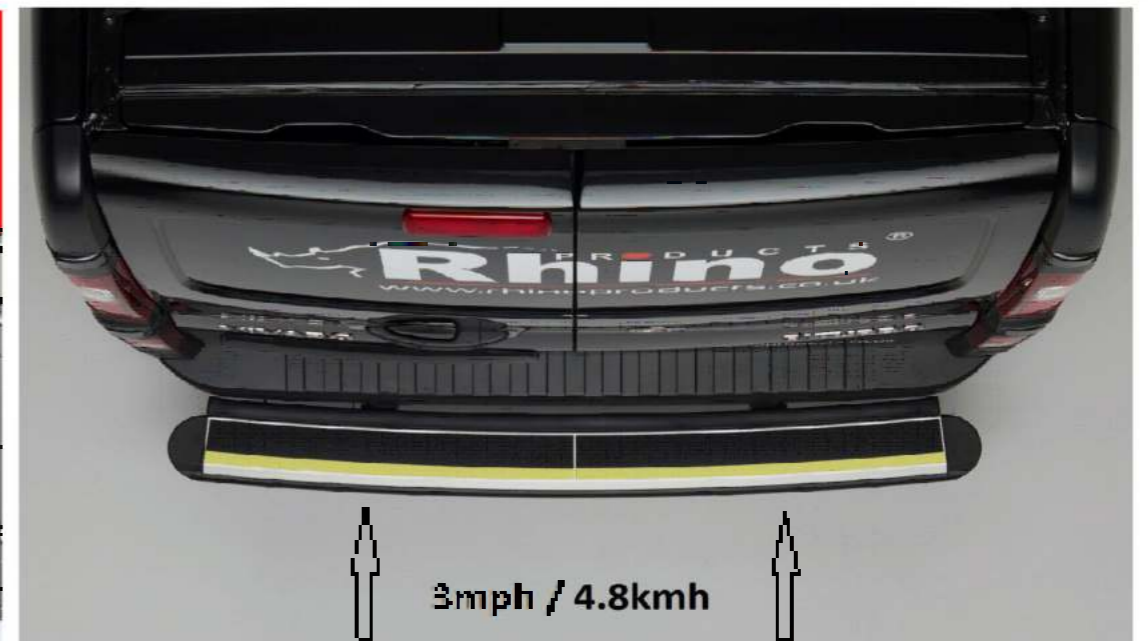
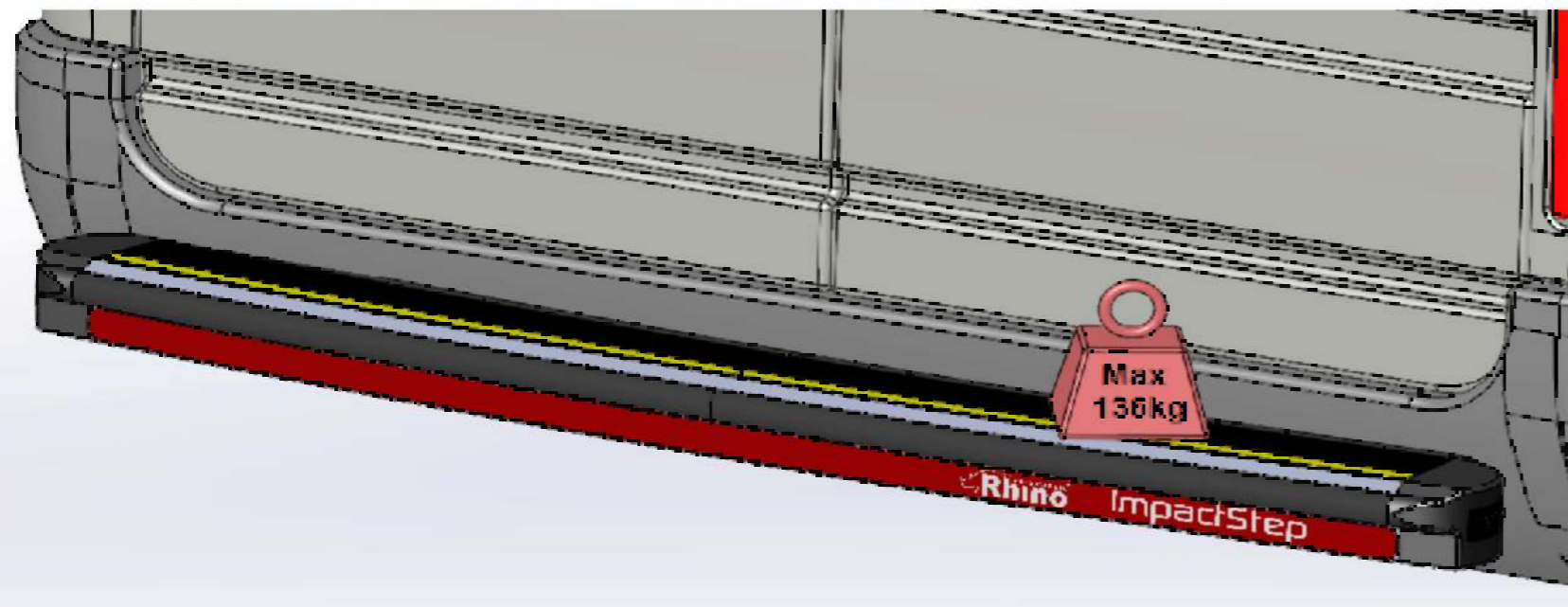
6.



SAFESTEP FITTING INSTRUCTIONS



IMPACT STEP FITTING INSTRUCTIONS



IMPACT STEP FITTING INSTRUCTIONS

FITTING KIT CONTENTS FK884
(1:1)

1

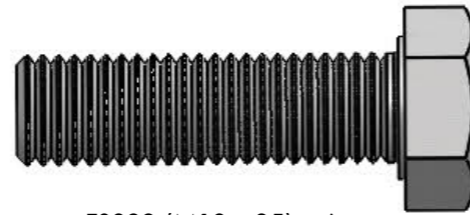


FW020 (M8) x 4

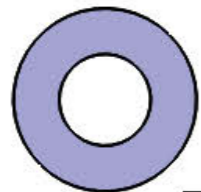
SAFESTEP	✗
IMPACT STEP	✓



FB006 (M8 x 30) x 4

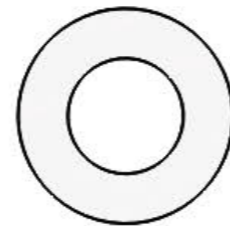


FS088 (M10 x 35) x 6



FW021 (M8) x

SAFESTEP	8
IMPACT STEP	4



FW006 (M10) x12



FN006 (M8) x 4

SAFESTEP	✓
IMPACT STEP	✗



FN008 (M10) x 6

FITTING TIME: 25 Minutes

2



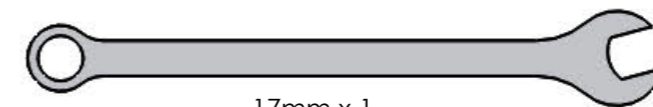
x 1



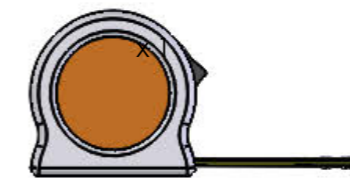
17mm x 1



13mm x 1



17mm x 1

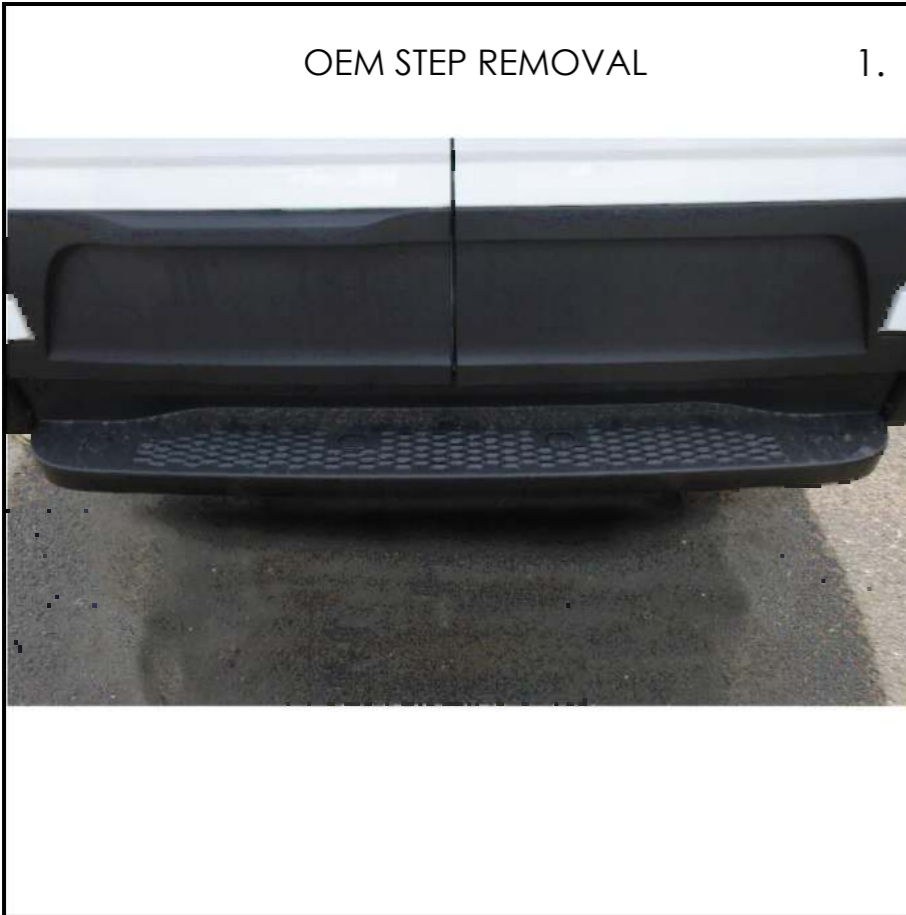


x 1

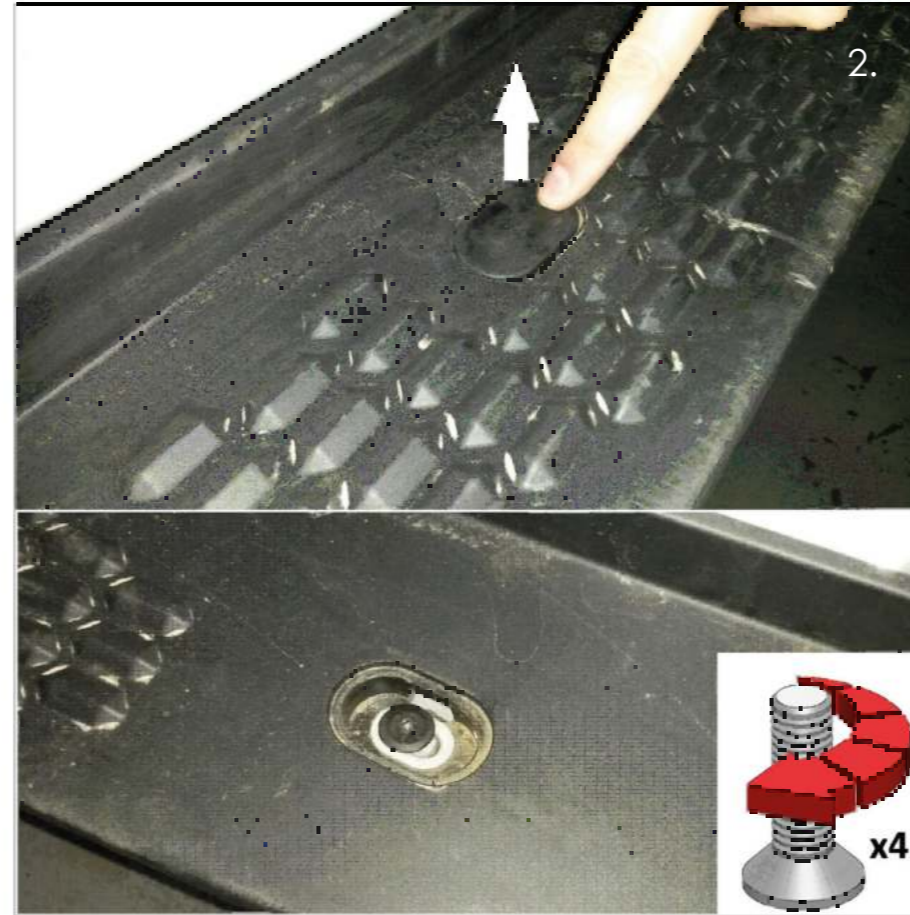
IMPACT STEP FITTING INSTRUCTIONS

OEM STEP REMOVAL

1.



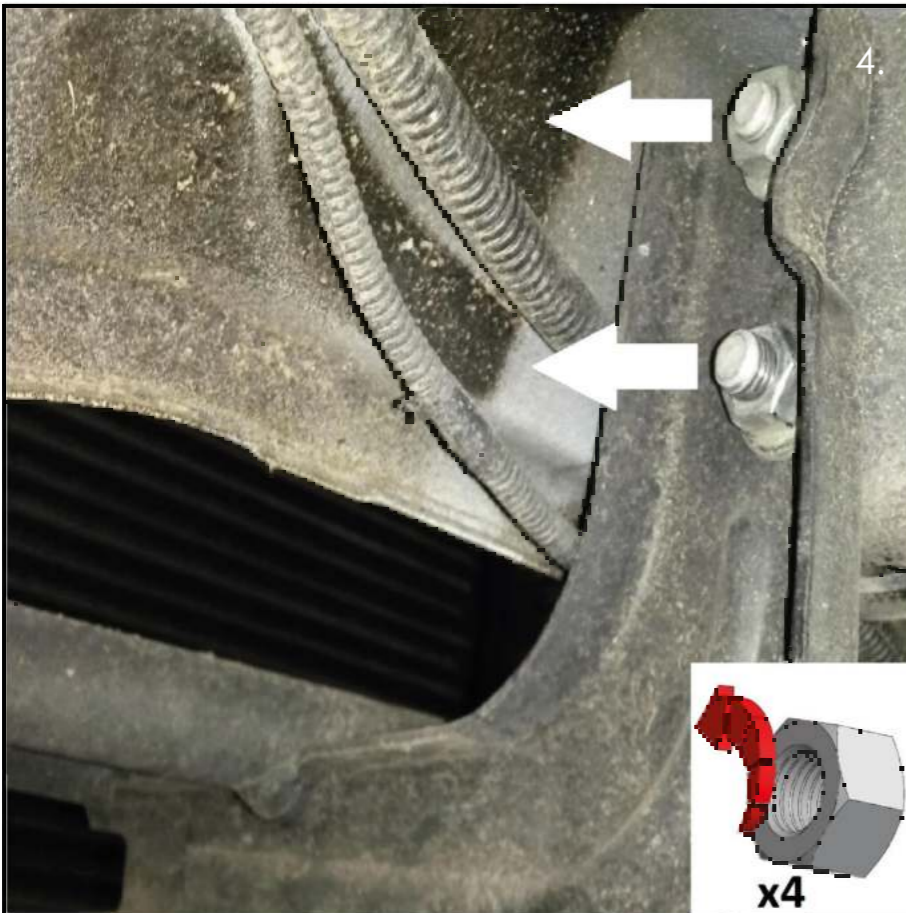
2.



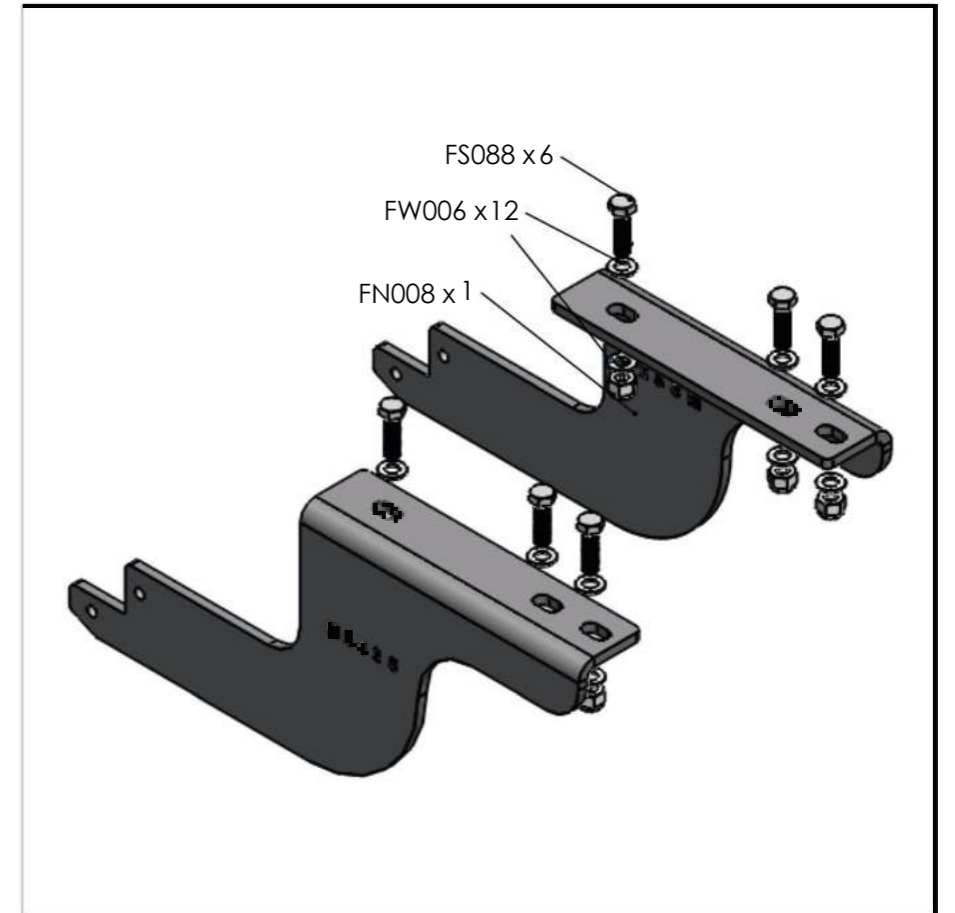
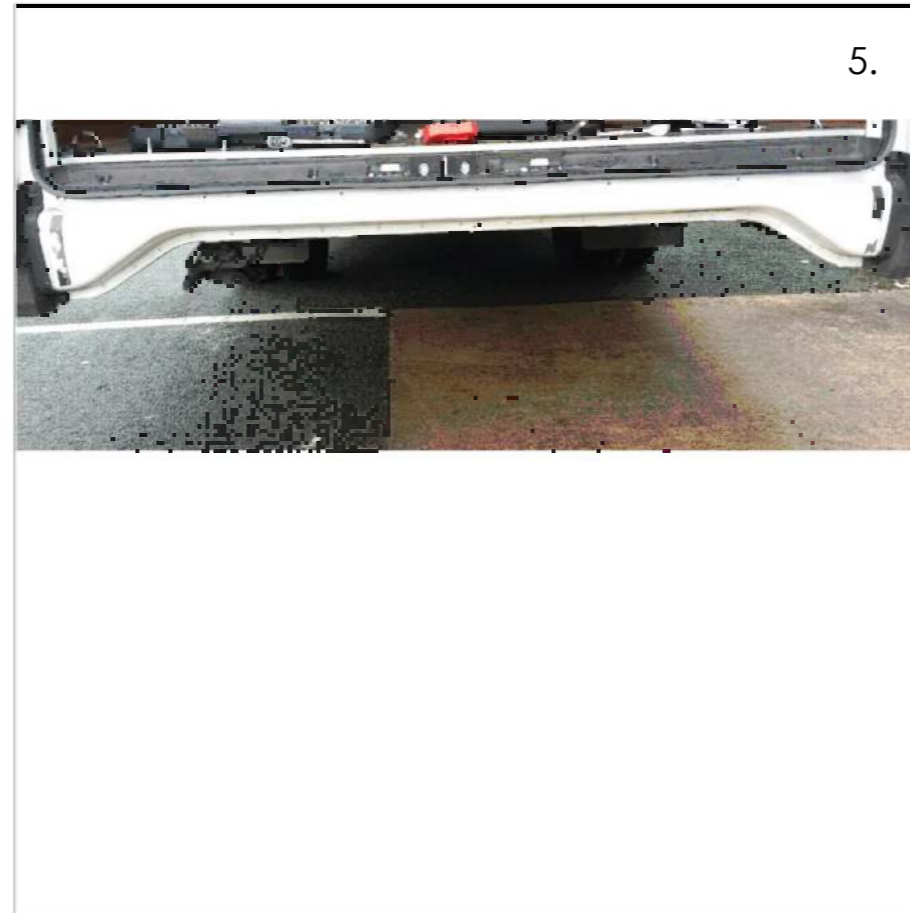
3.



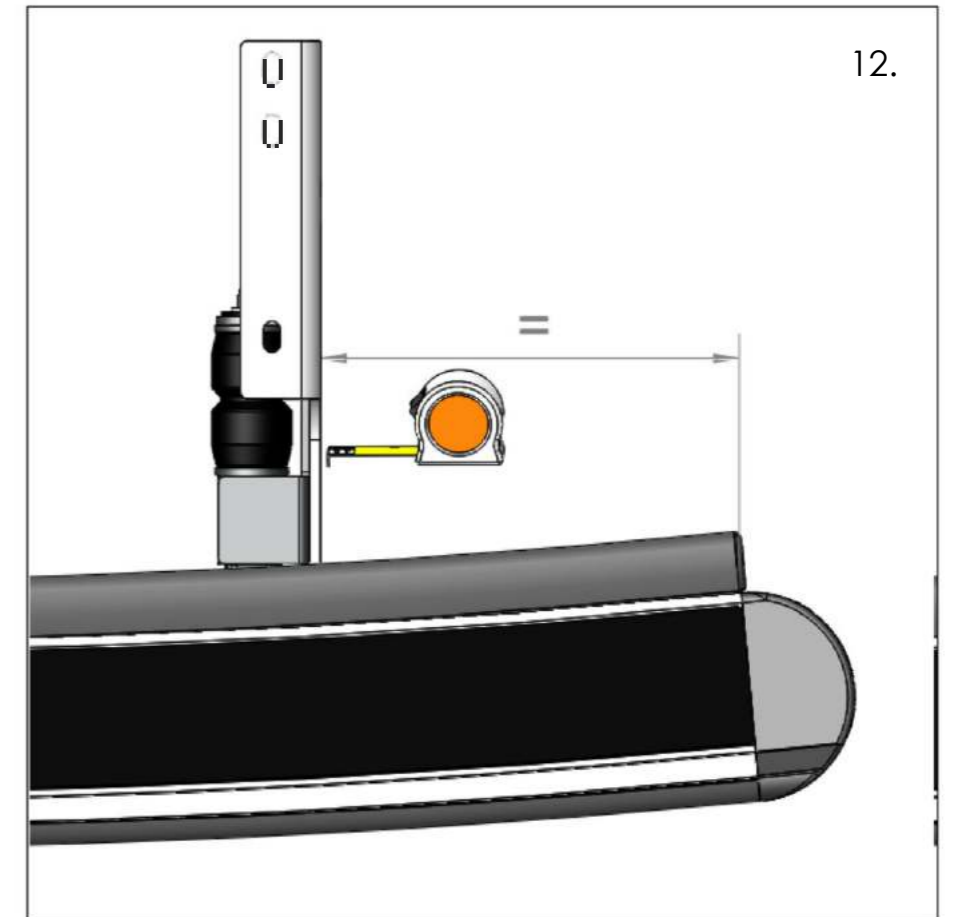
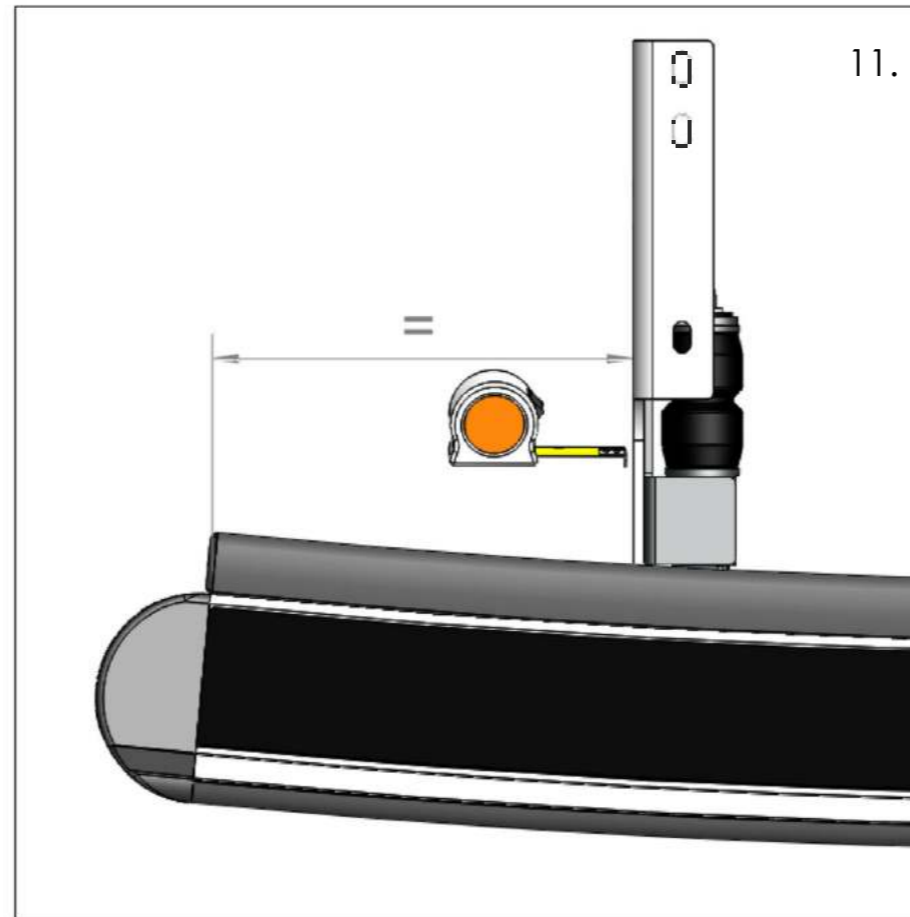
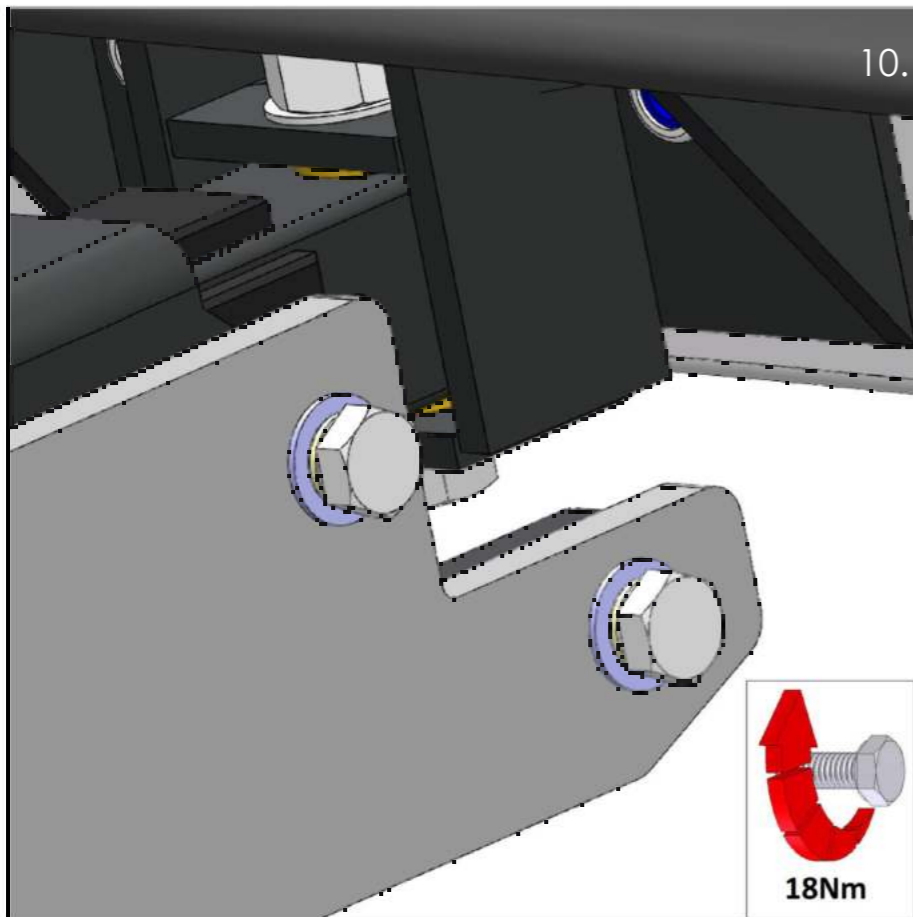
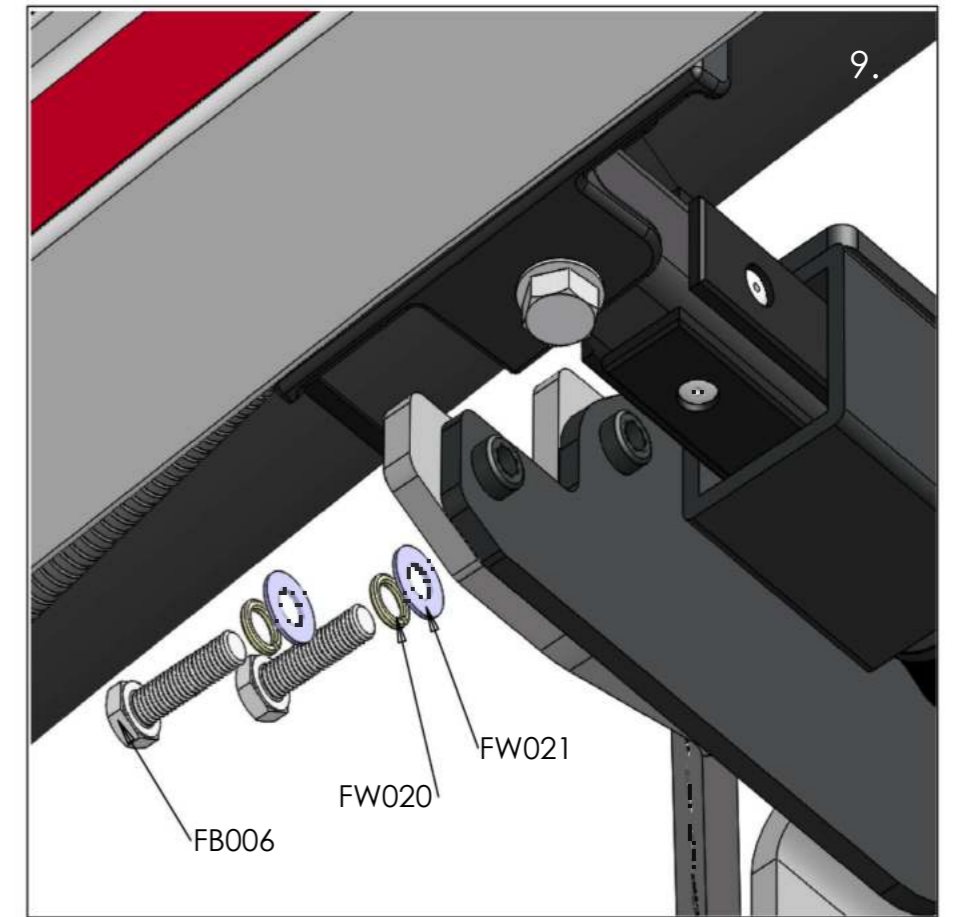
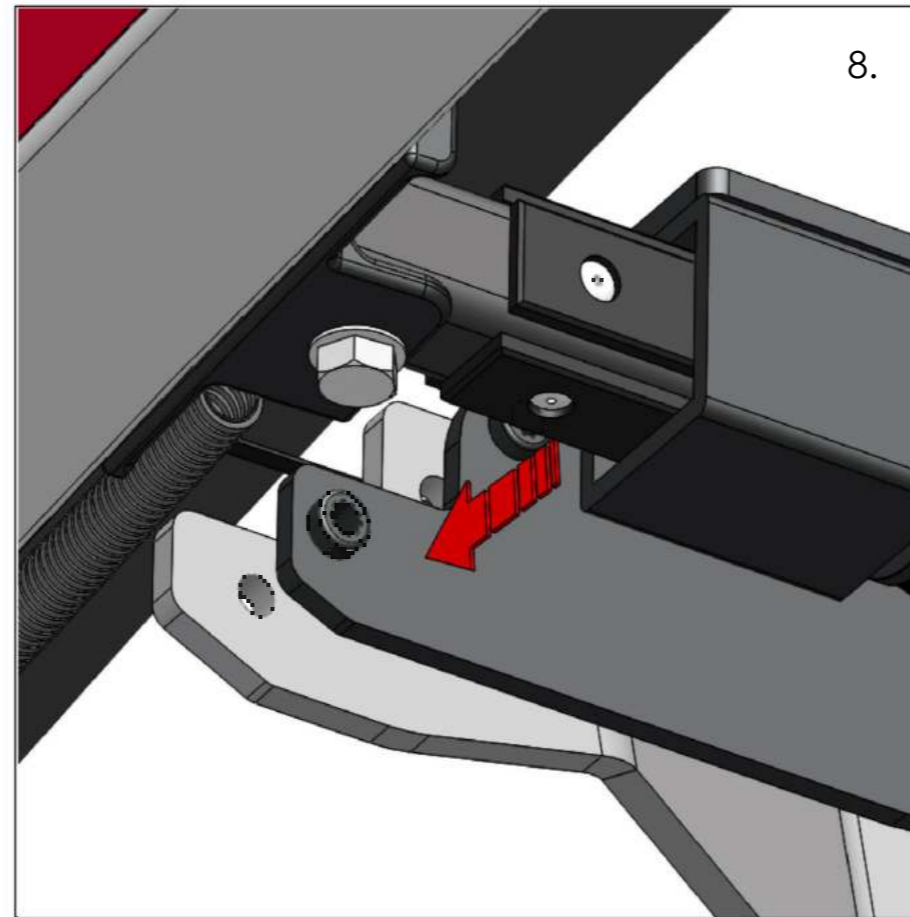
4.



5.



IMPACT STEP FITTING INSTRUCTIONS



IMPACT STEP FITTING INSTRUCTIONS

