

SAFESTEP FITTING INSTRUCTIONS



SAFESTEP FITTING INSTRUCTIONS

FITTING KIT CONTENTS FK883
(1:1)

1.

2.

FITTING TIME: 20 Minutes

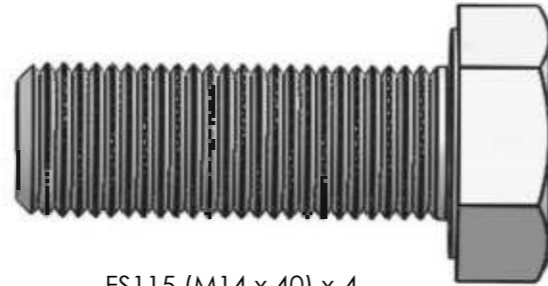


FW020 (M8) x 4

SAFESTEP	✗
IMPACT STEP	✓



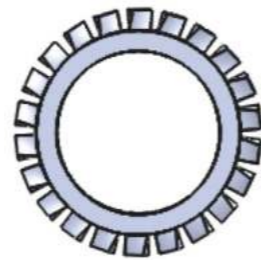
FB006 (M8 x 30) x 4



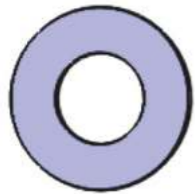
FS115 (M14 x 40) x 4



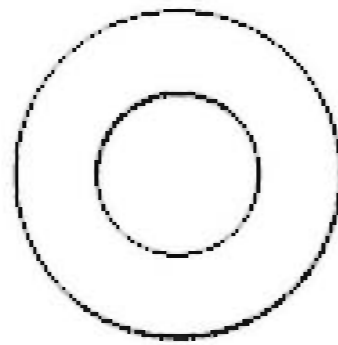
FN006 (M8) x 4



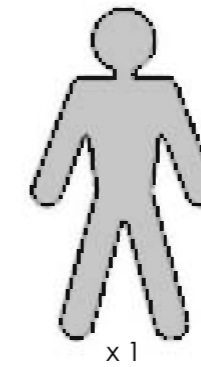
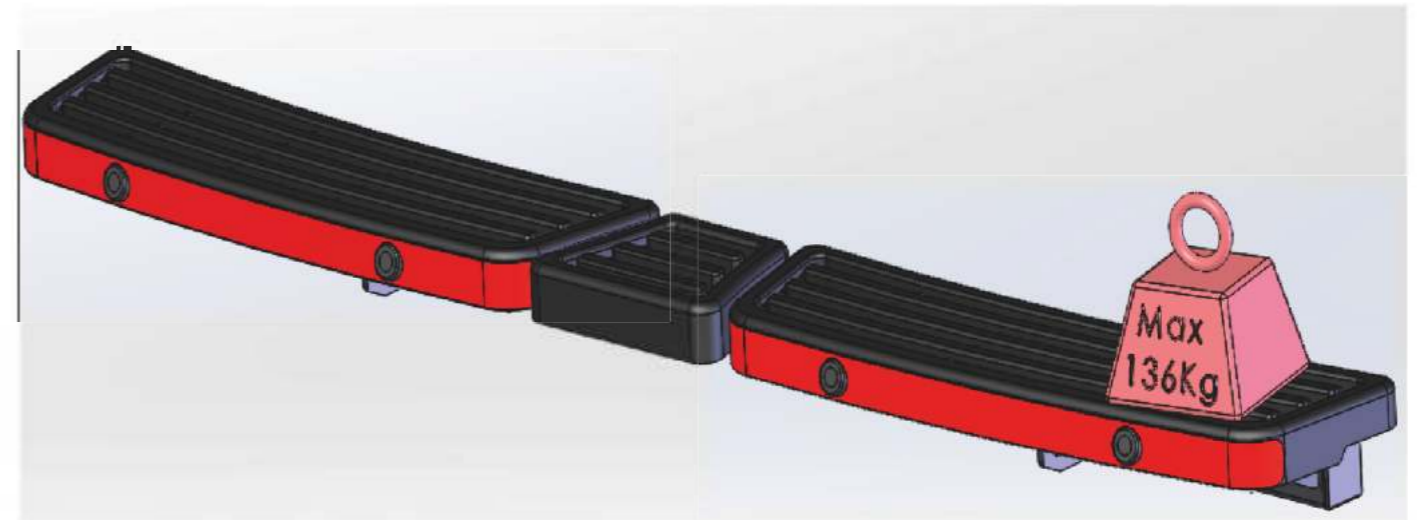
FW030 (M14) x 4



FW021 (M8) x 8



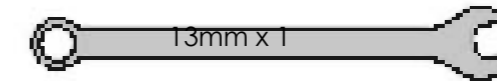
FW031 (M14) x 4



x 1



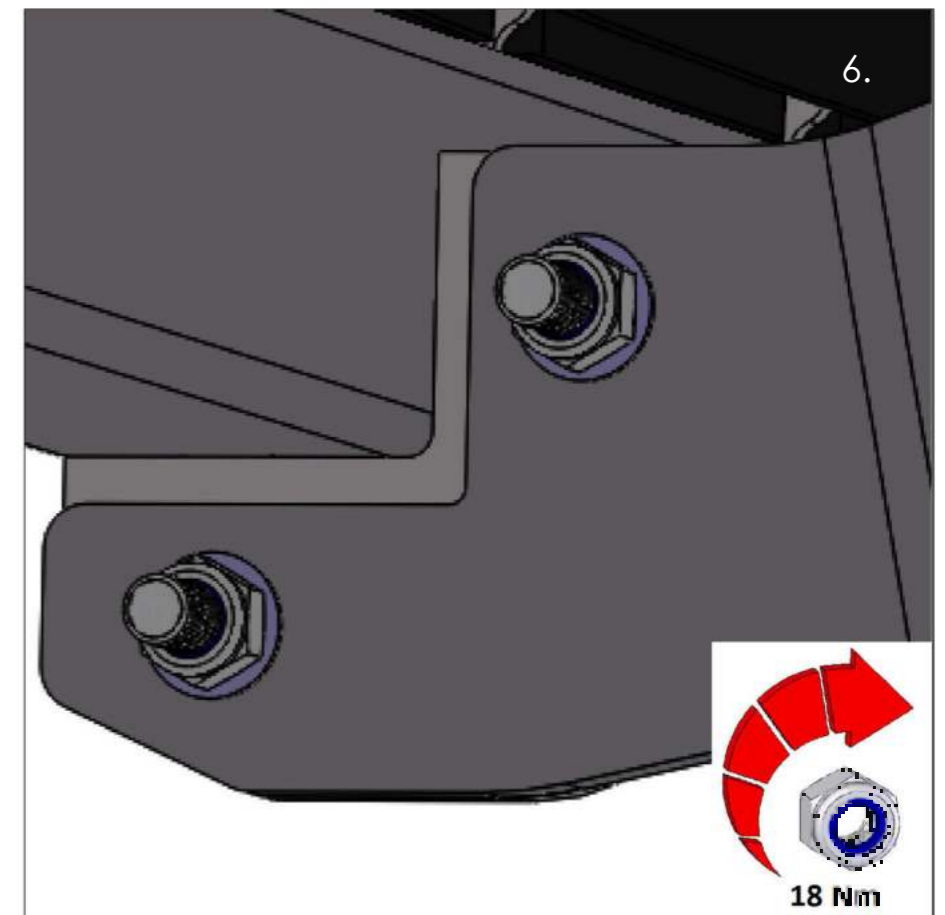
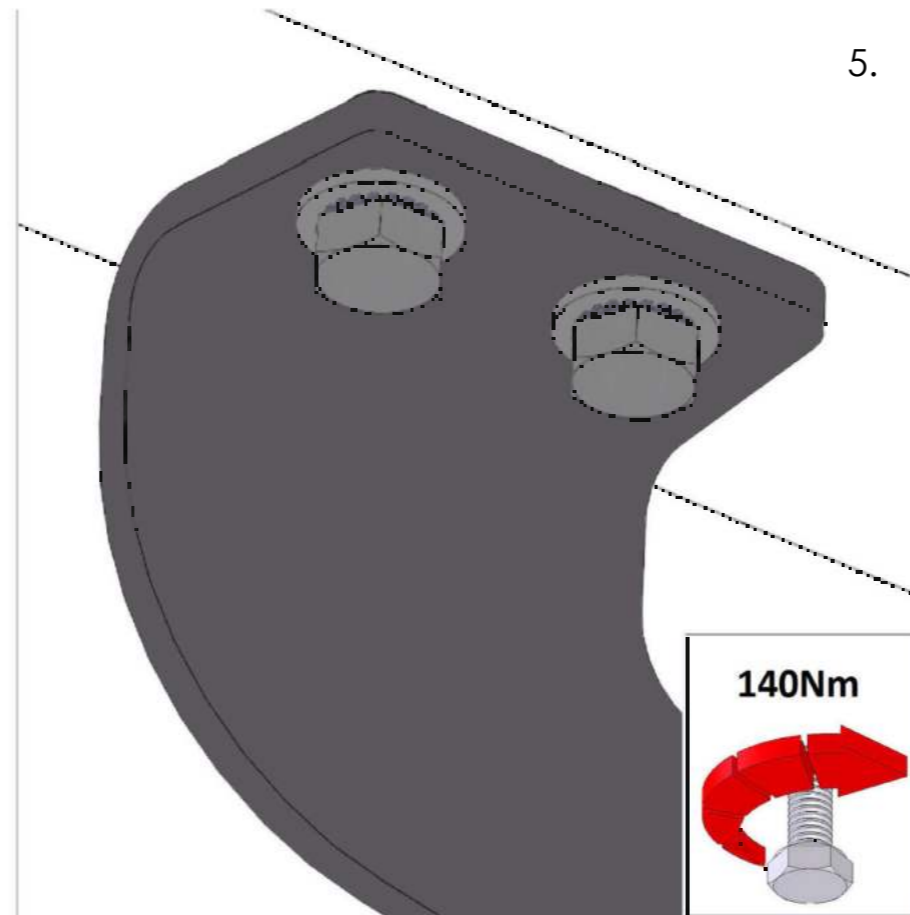
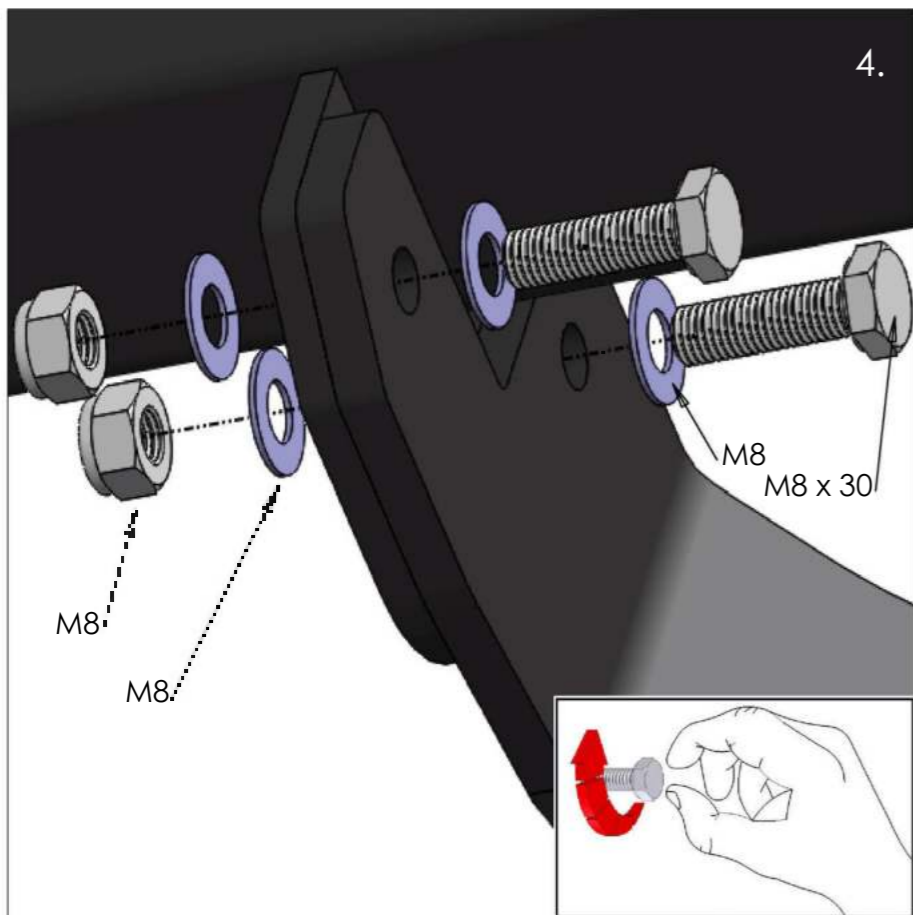
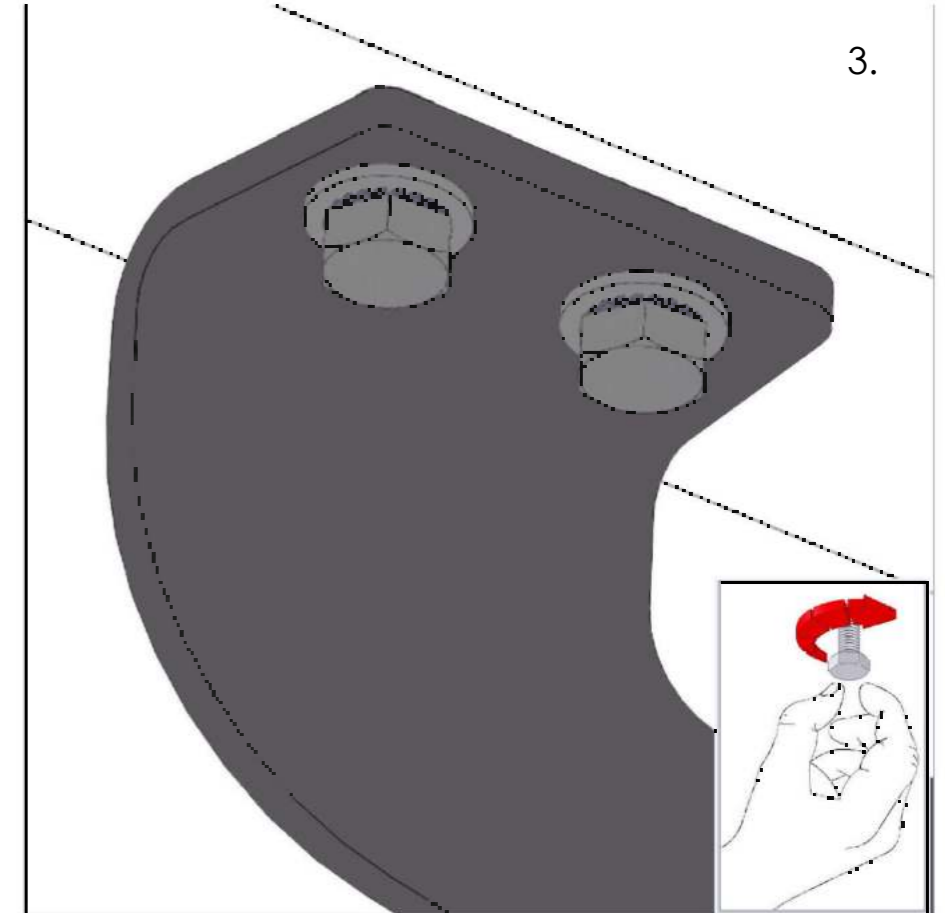
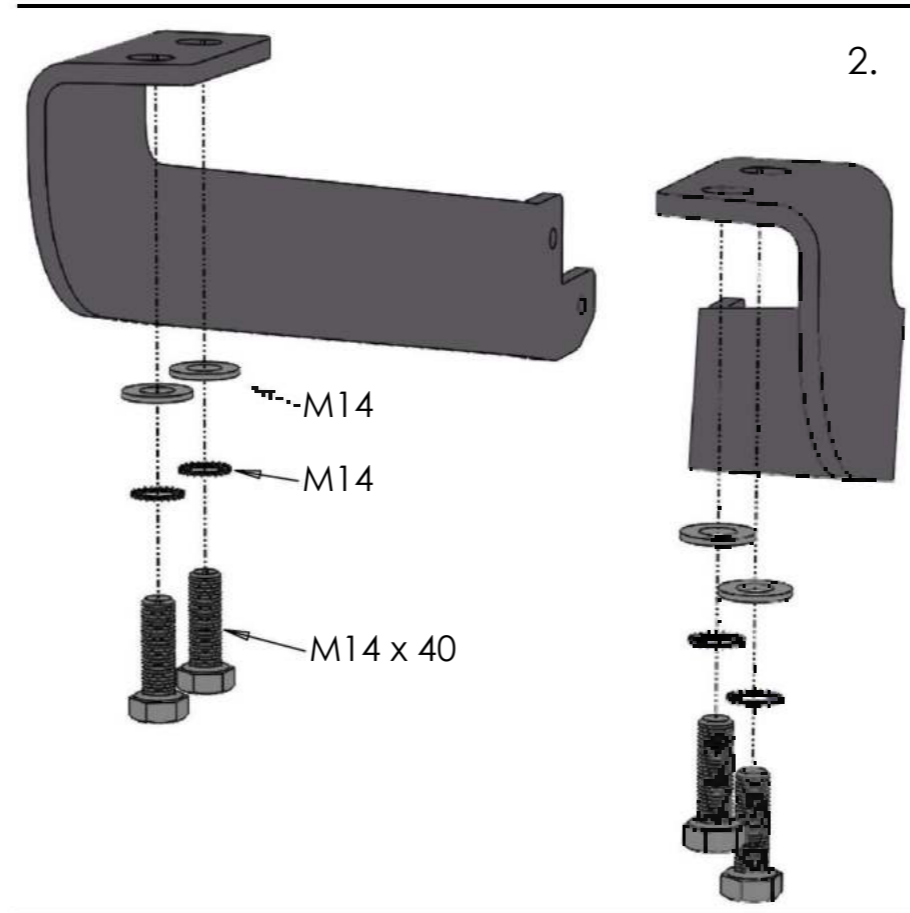
22mm x 1



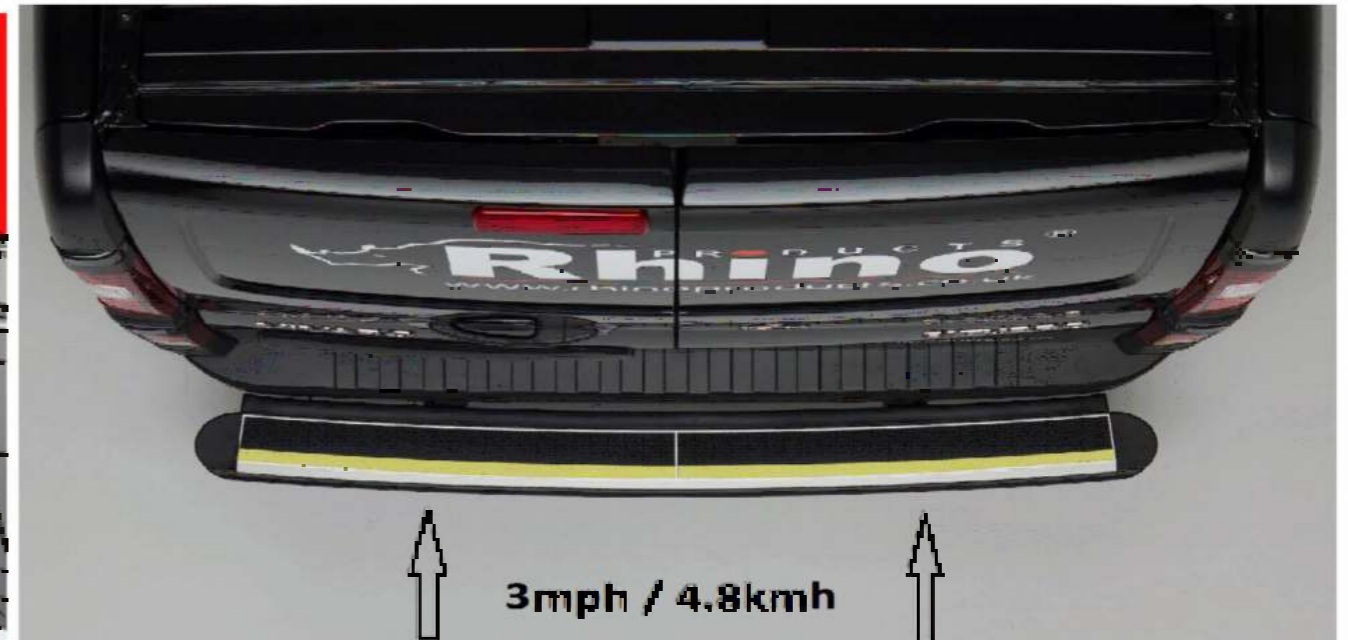
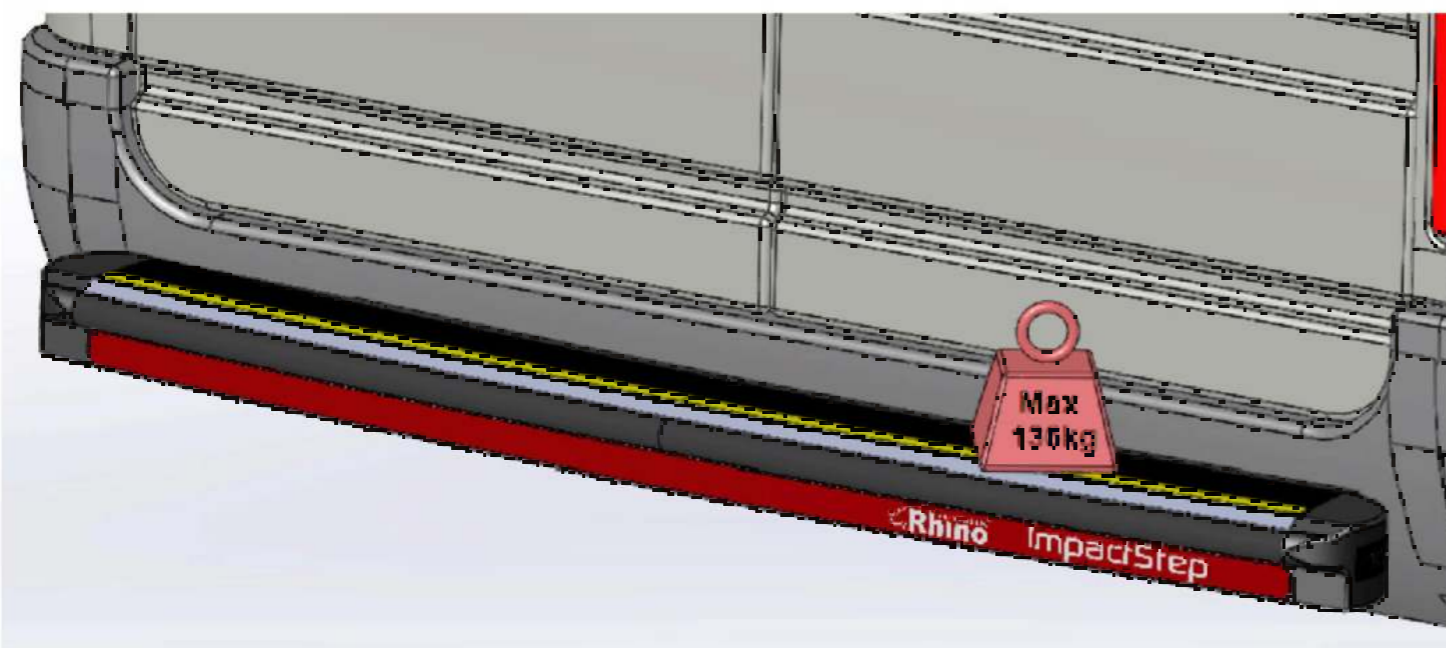
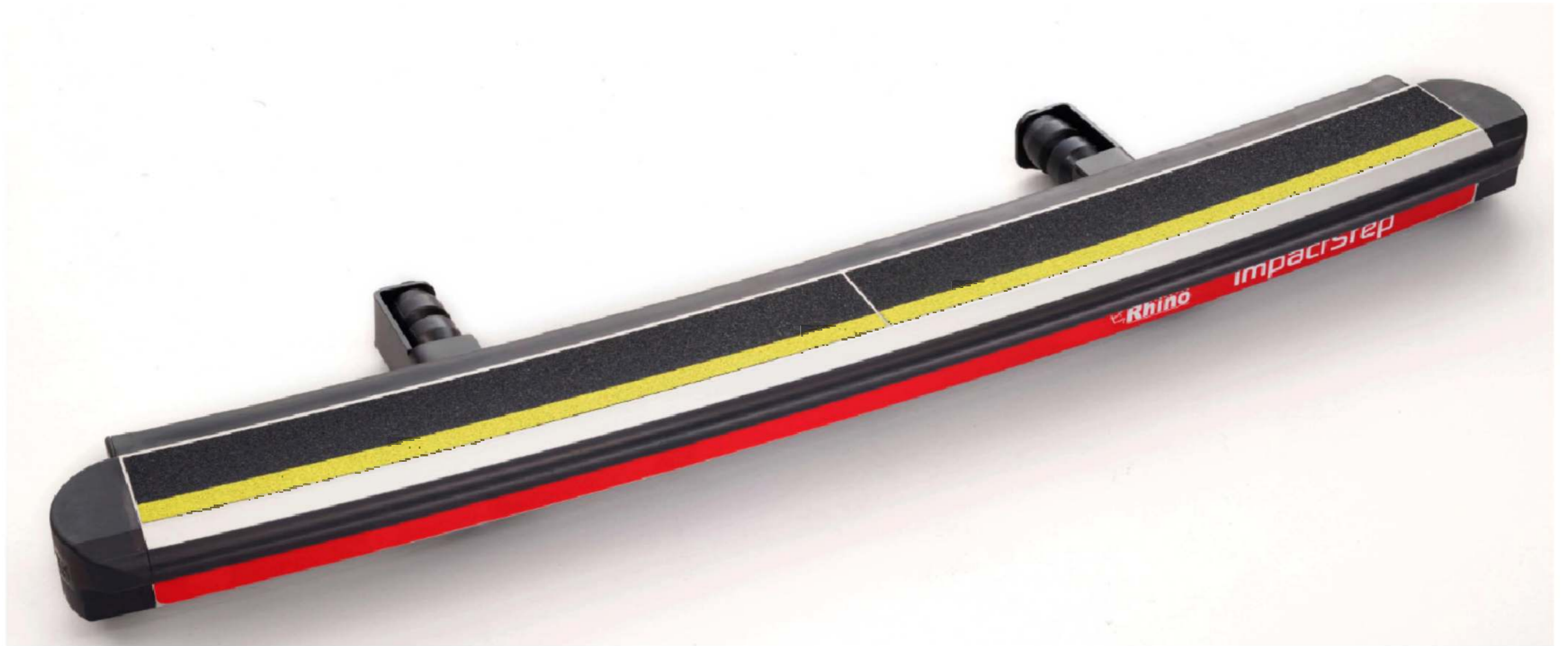
13mm x 1

13mm x 1

SAFESTEP FITTING INSTRUCTIONS



IMPACT STEP FITTING INSTRUCTIONS



IMPACT STEP FITTING INSTRUCTIONS

1.

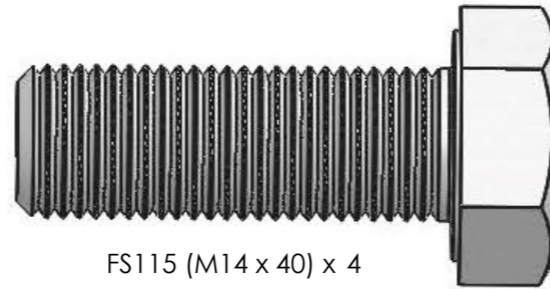
FITTING KIT CONTENTS FK883
(1:1)



FW020 (M8) x 4



FB006 (M8 x 30) x 4

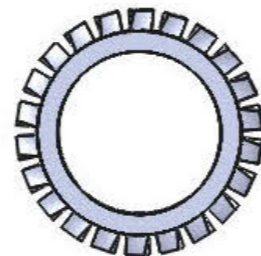


FS115 (M14 x 40) x 4

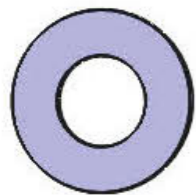


FN006 (M8) x 4

SAFESTEP	✓
IMPACT STEP	✗

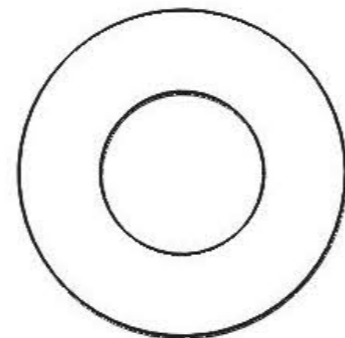


FW030 (M14) x 4



FW021 (M8) x

SAFESTEP	8
IMPACT STEP	4



FW031 (M14) x 4

2.

FITTING TIME: 40 Minutes



x 1



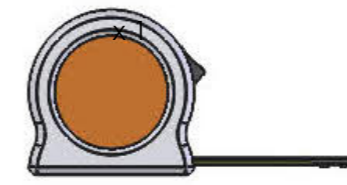
22mm x 1



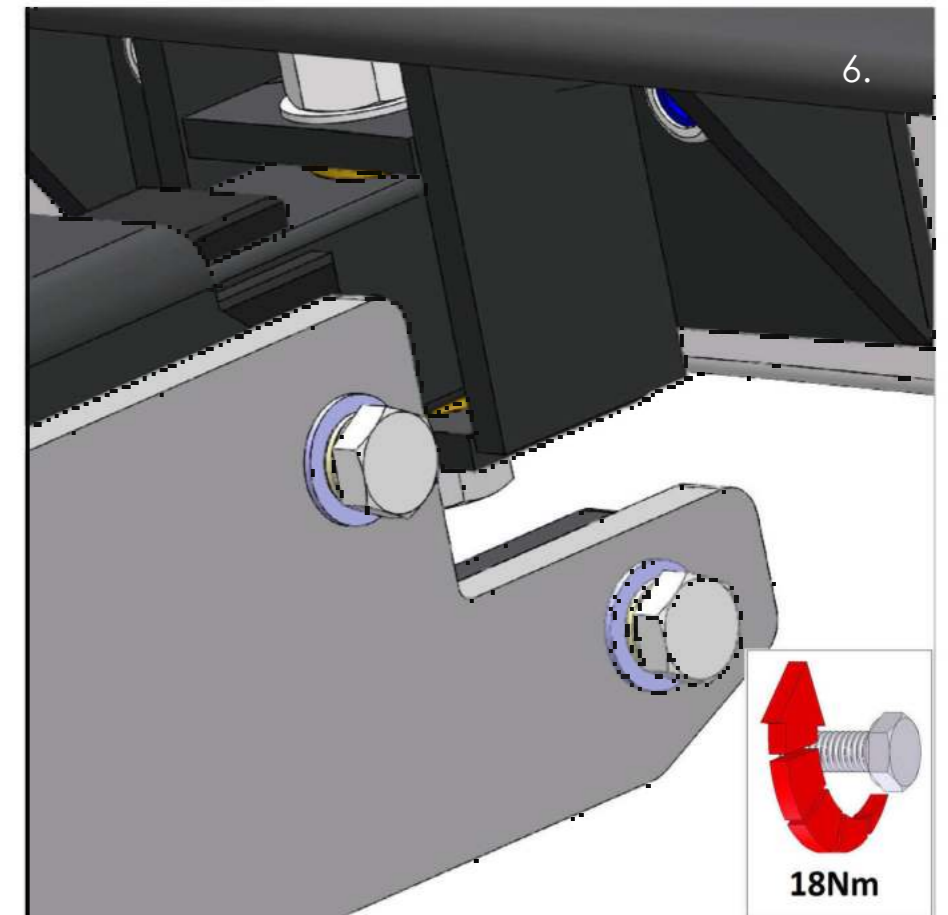
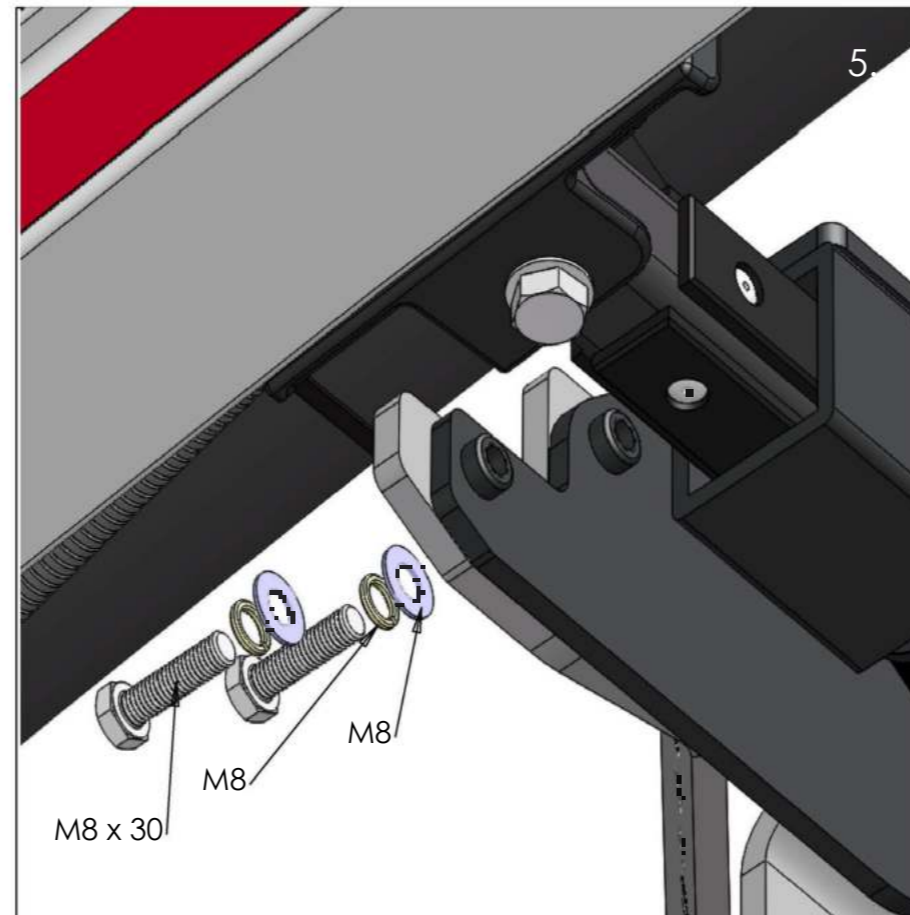
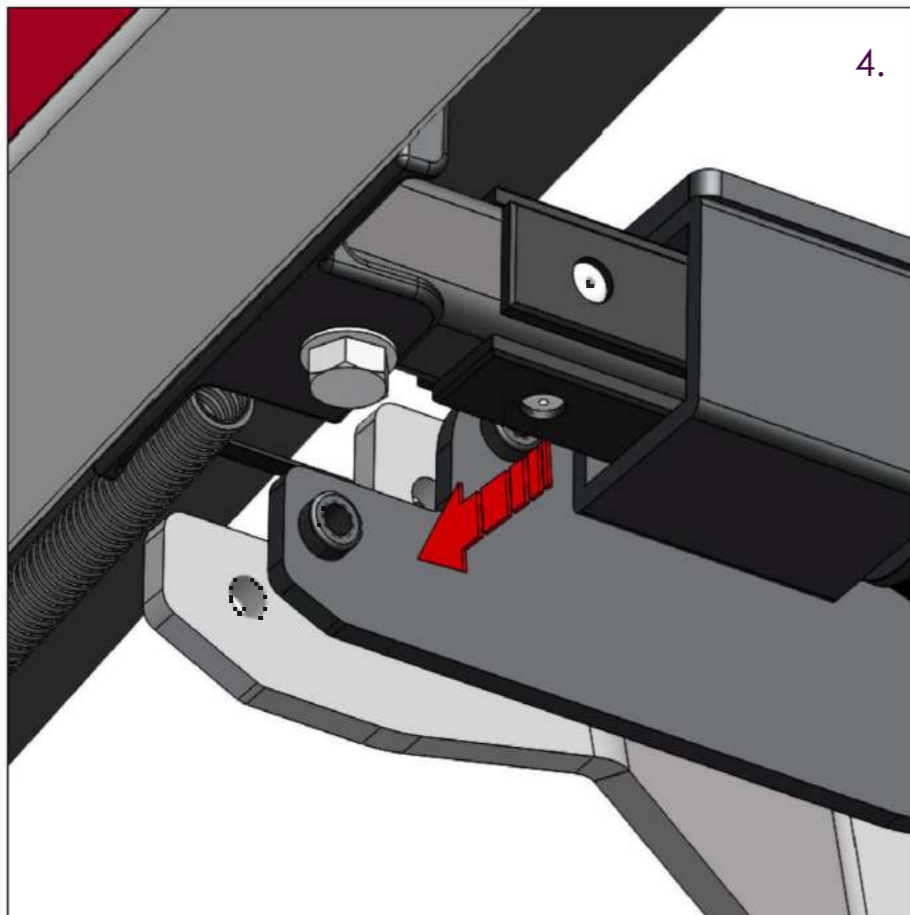
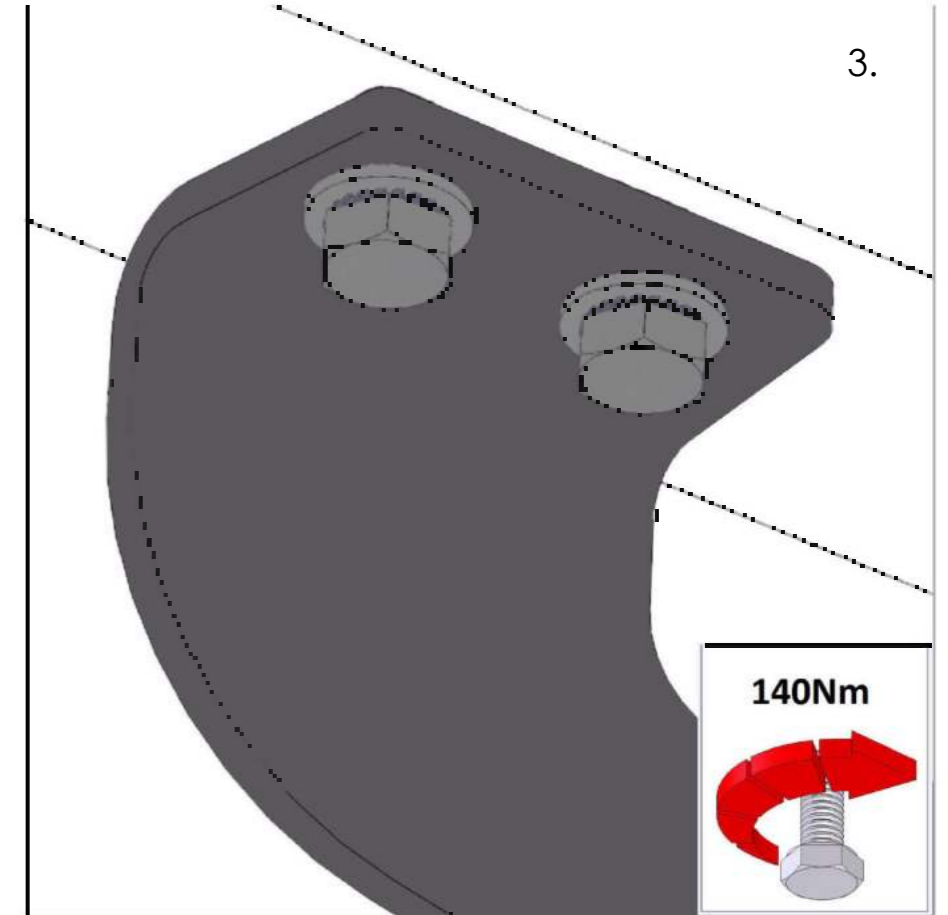
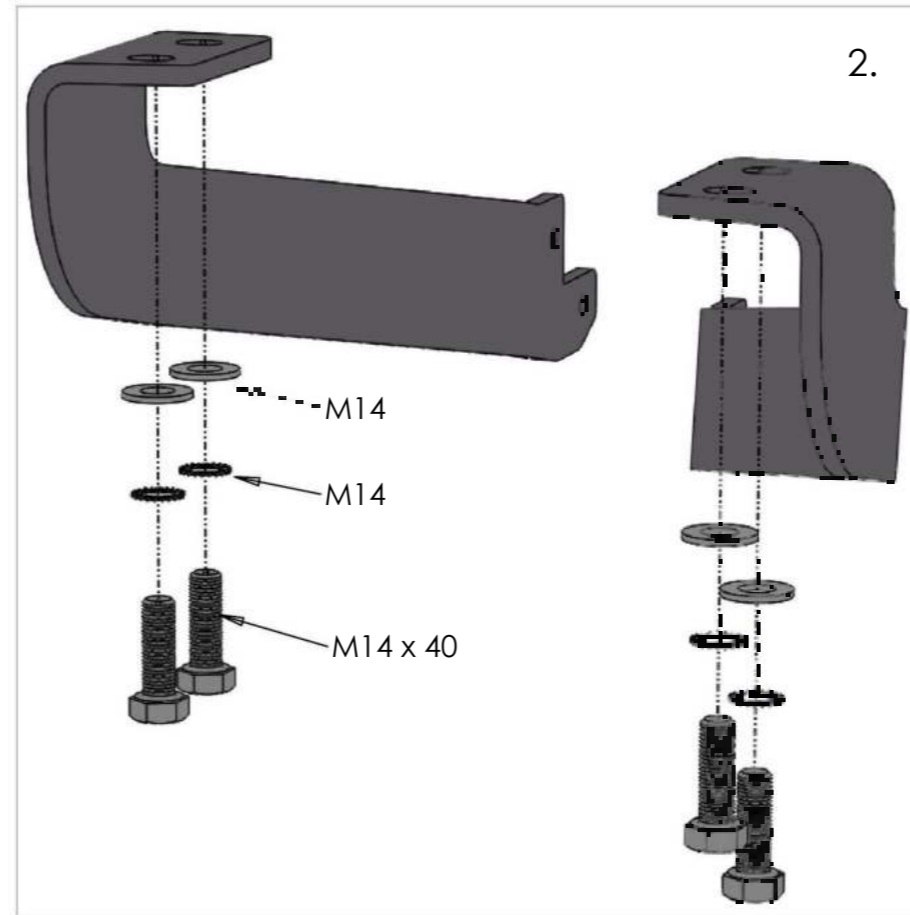
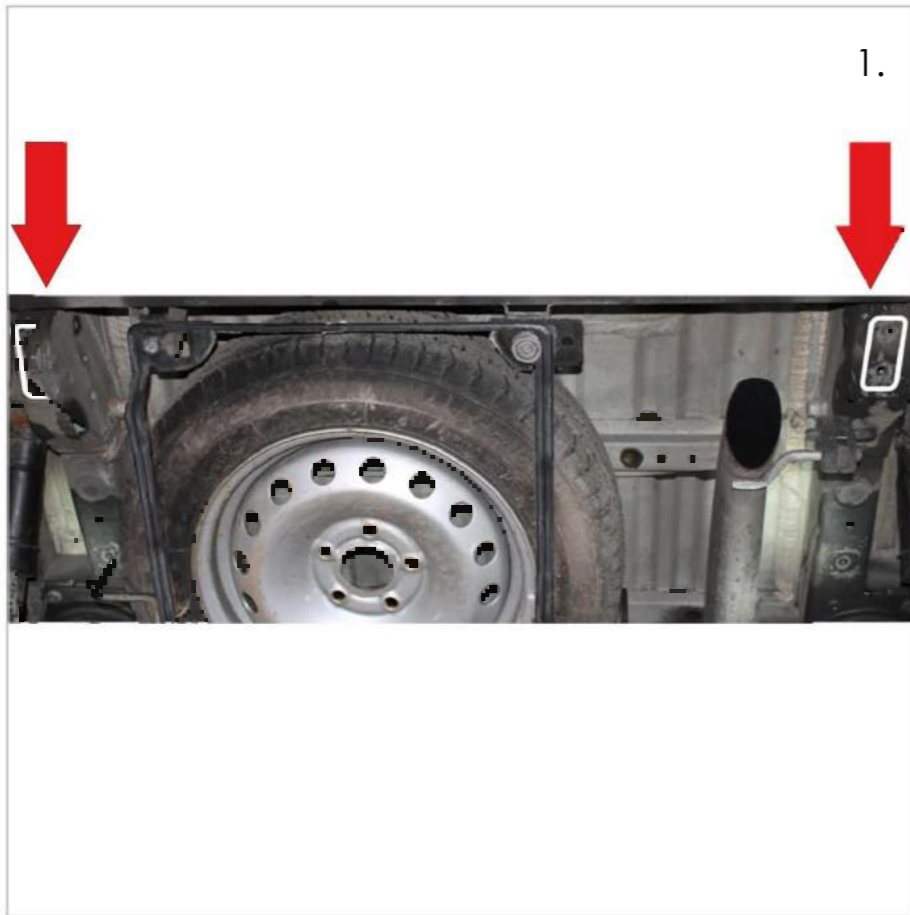
13mm x 1



x 1



IMPACT STEP FITTING INSTRUCTIONS



IMPACT STEP FITTING INSTRUCTIONS

