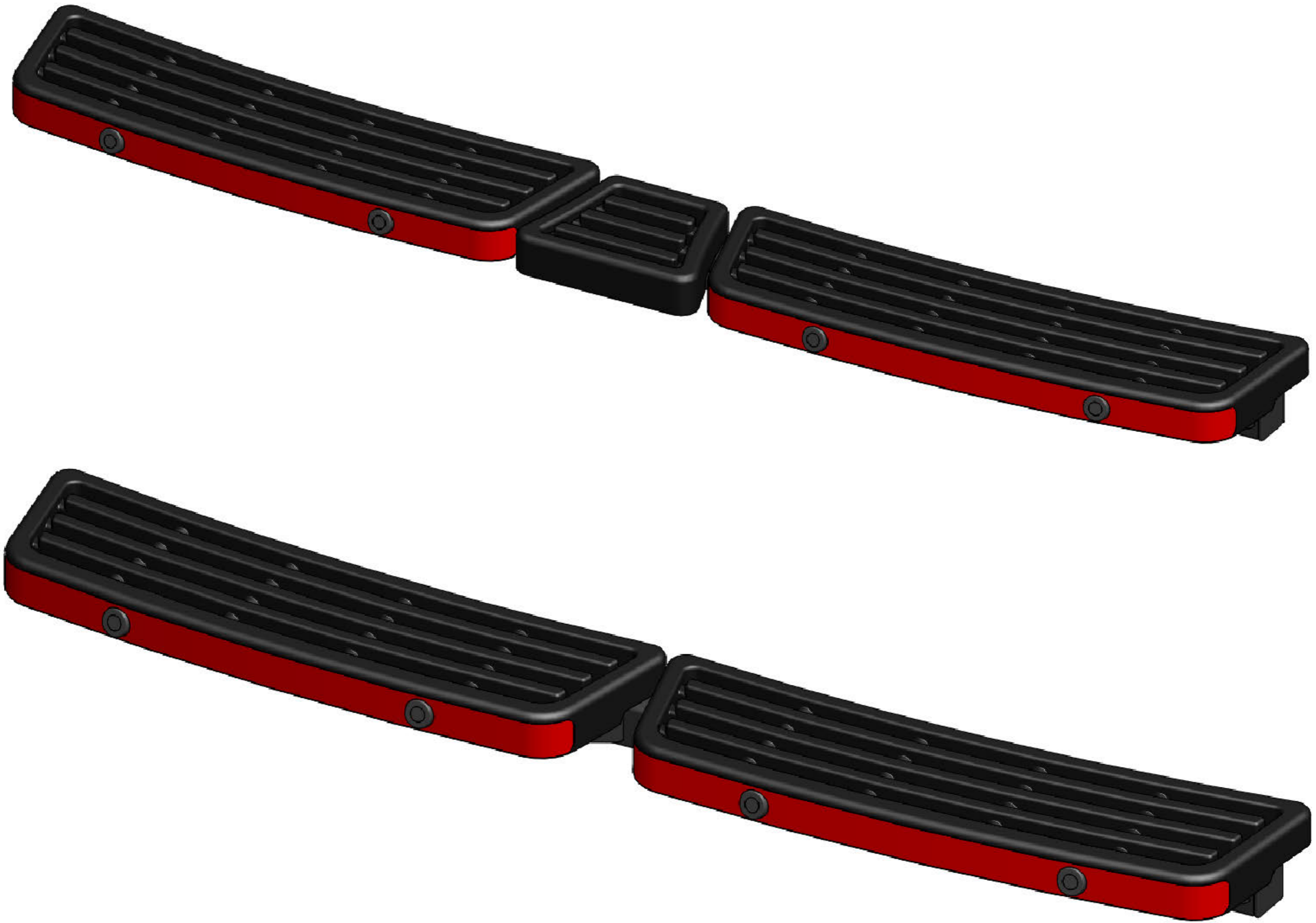


SAFESTEP FITTING INSTRUCTIONS



SAFESTEP FITTING INSTRUCTIONS

FITTING KIT CONTENTS FK903
(1:1)

1.



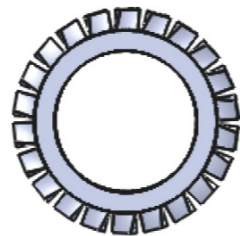
FB006 (M8 x 30) x 4



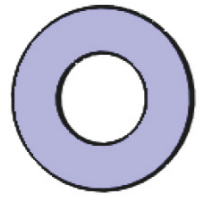
FS082 (M12 x 45) x 4



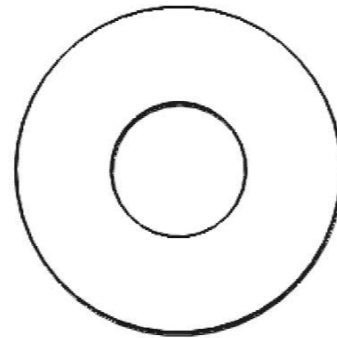
FN006 (M8) x 4



FW029 (M12) x 4



FW021 (M8) x 8



FW026 (M12) x 8

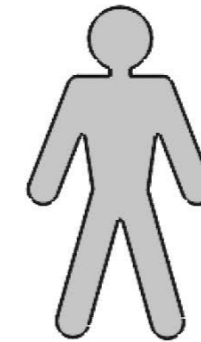
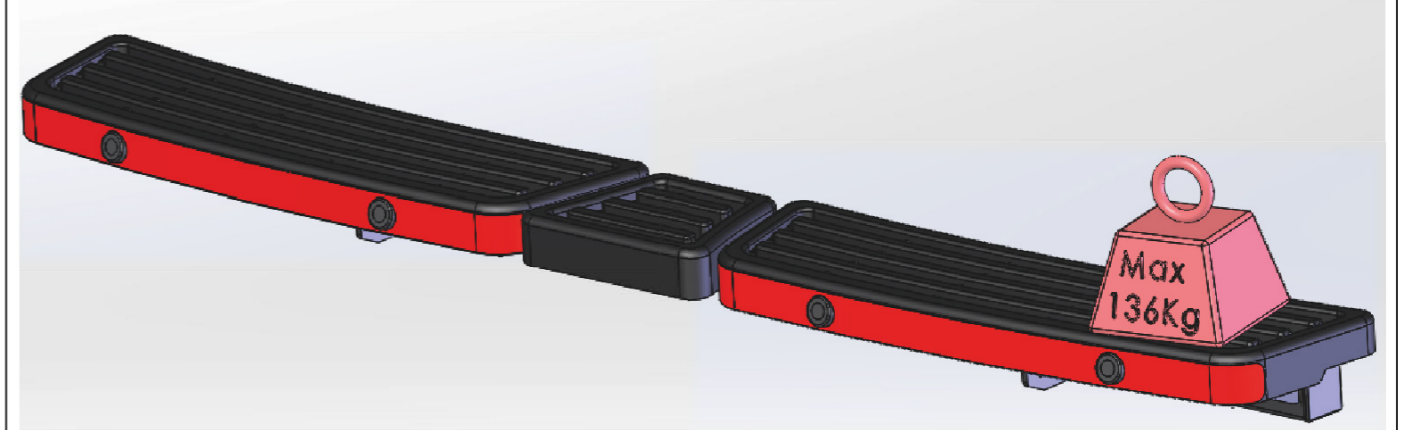


FW020 (M8) x 4

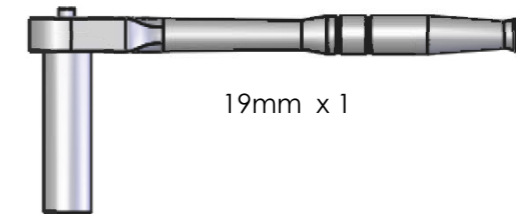
SAFESTEP	✗
IMPACT STEP	✓

FITTING TIME: 20 Minutes

2.



x 1



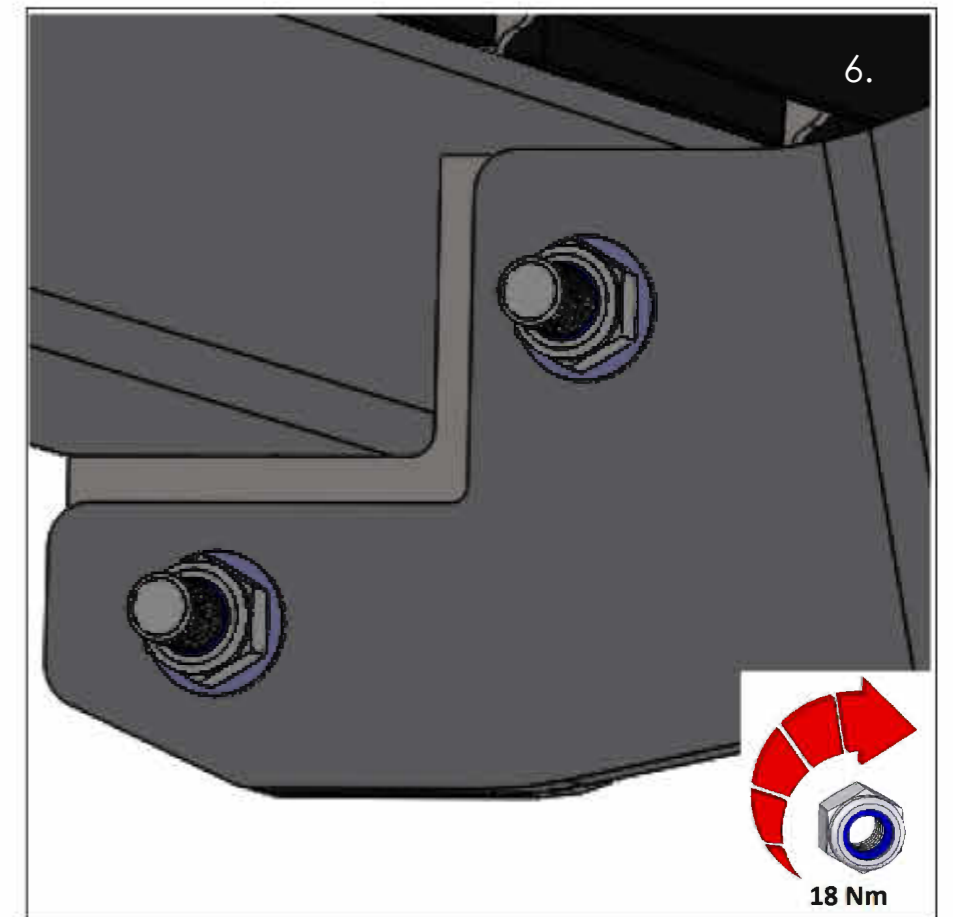
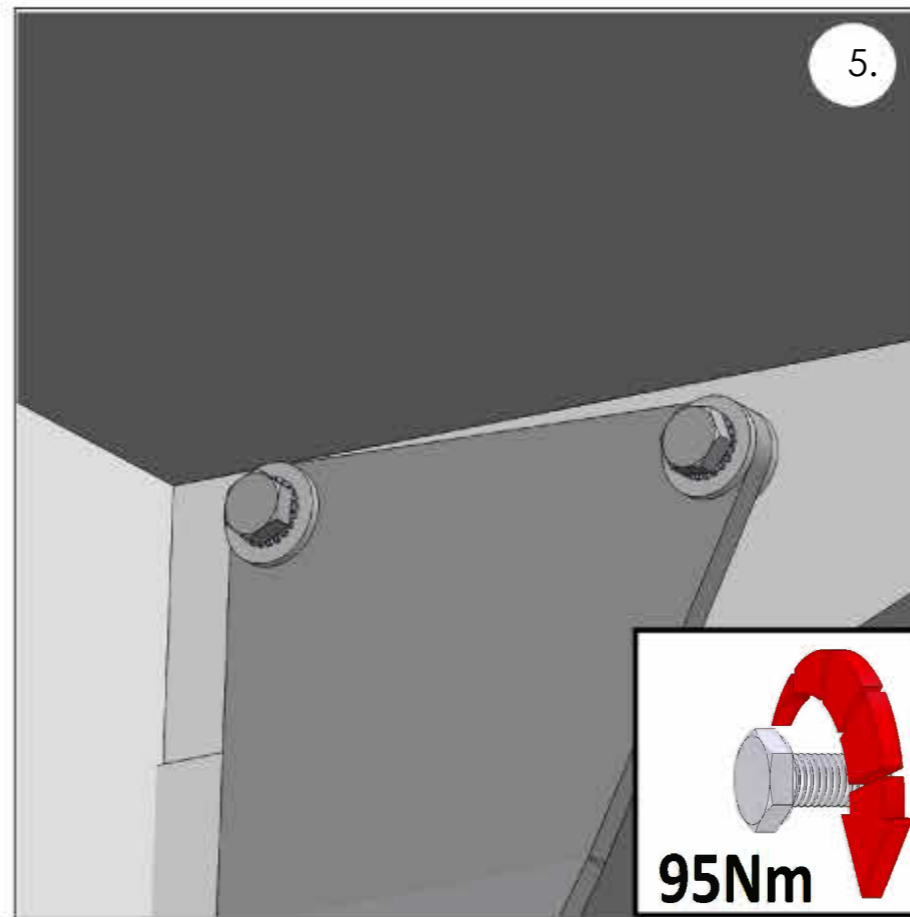
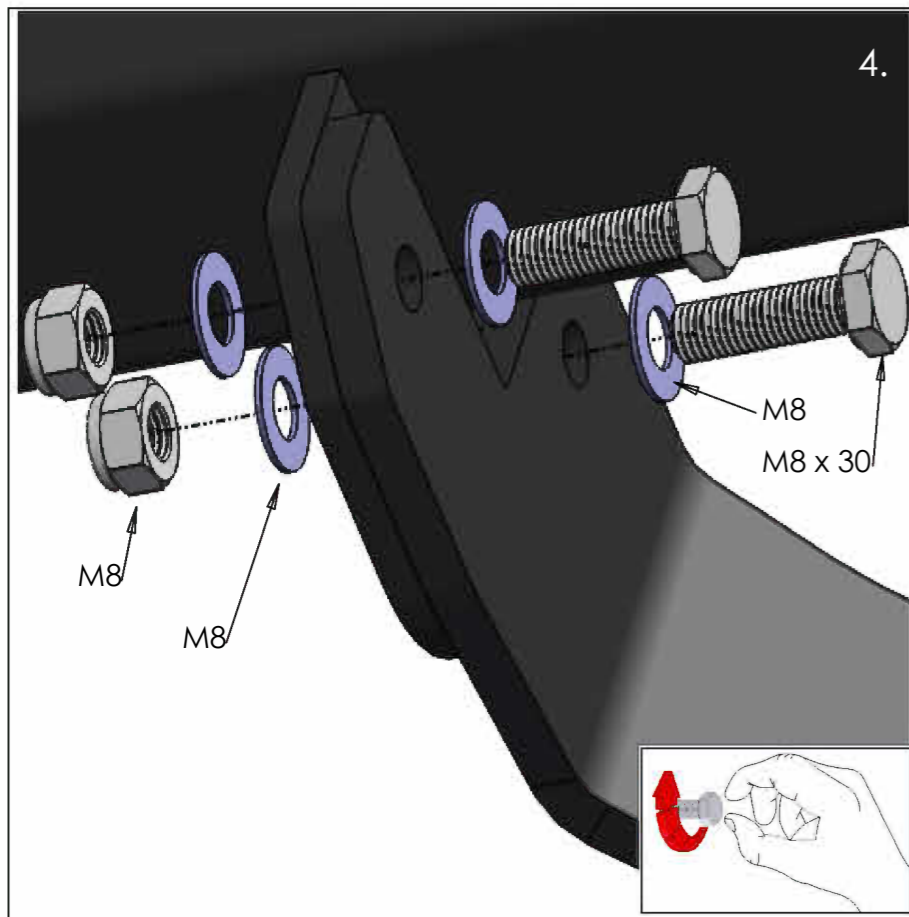
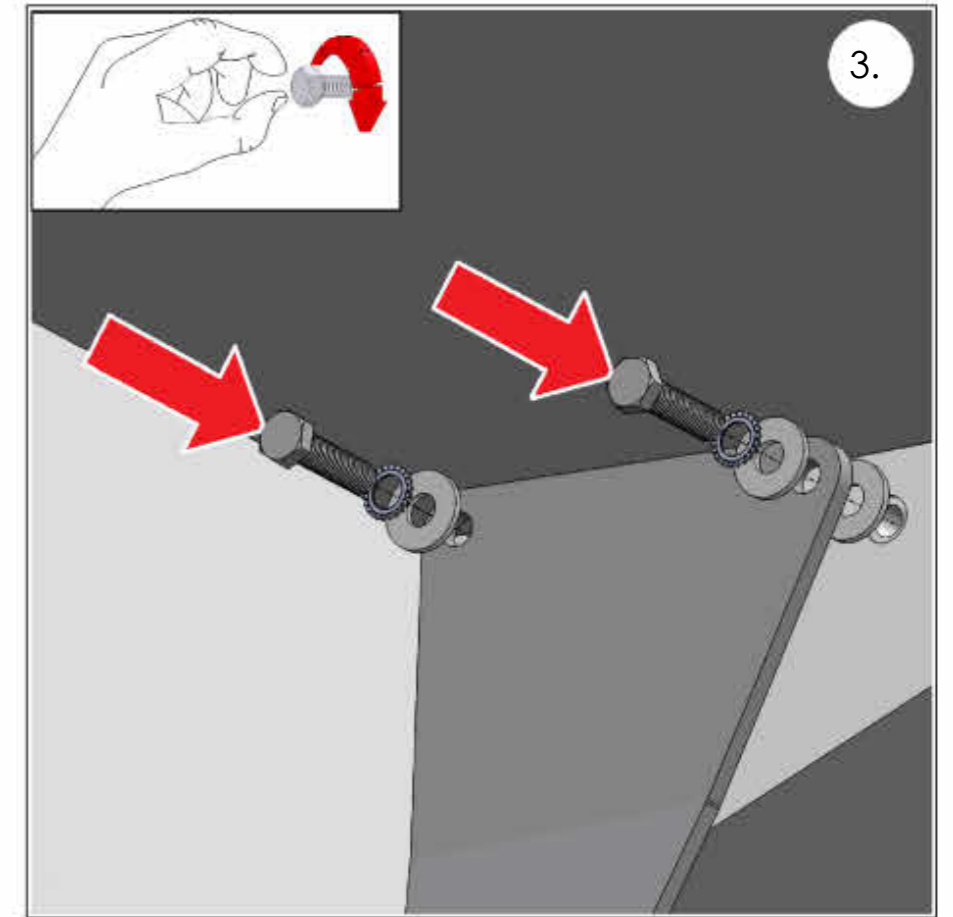
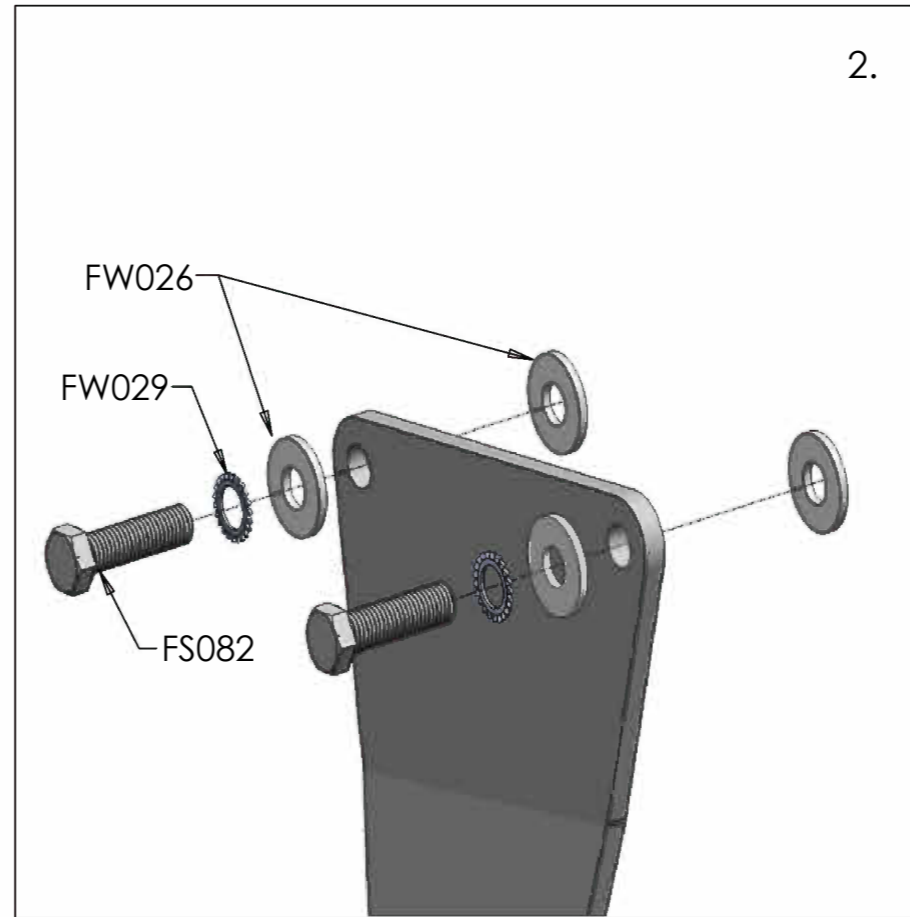
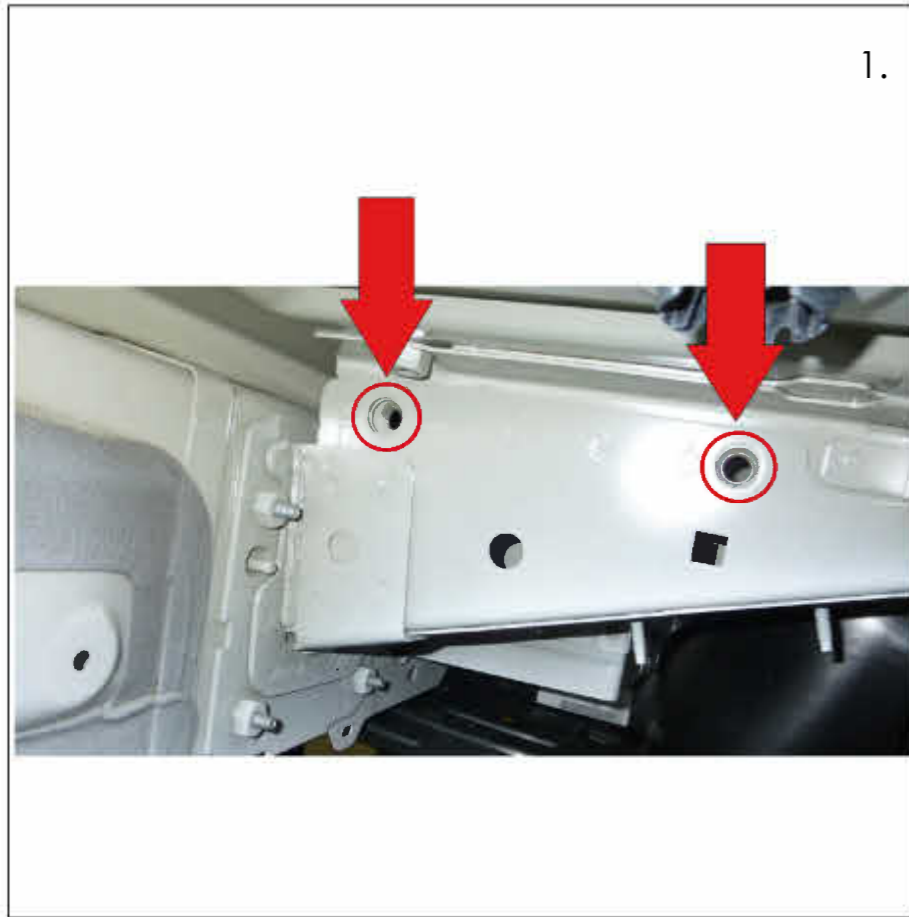
19mm x 1



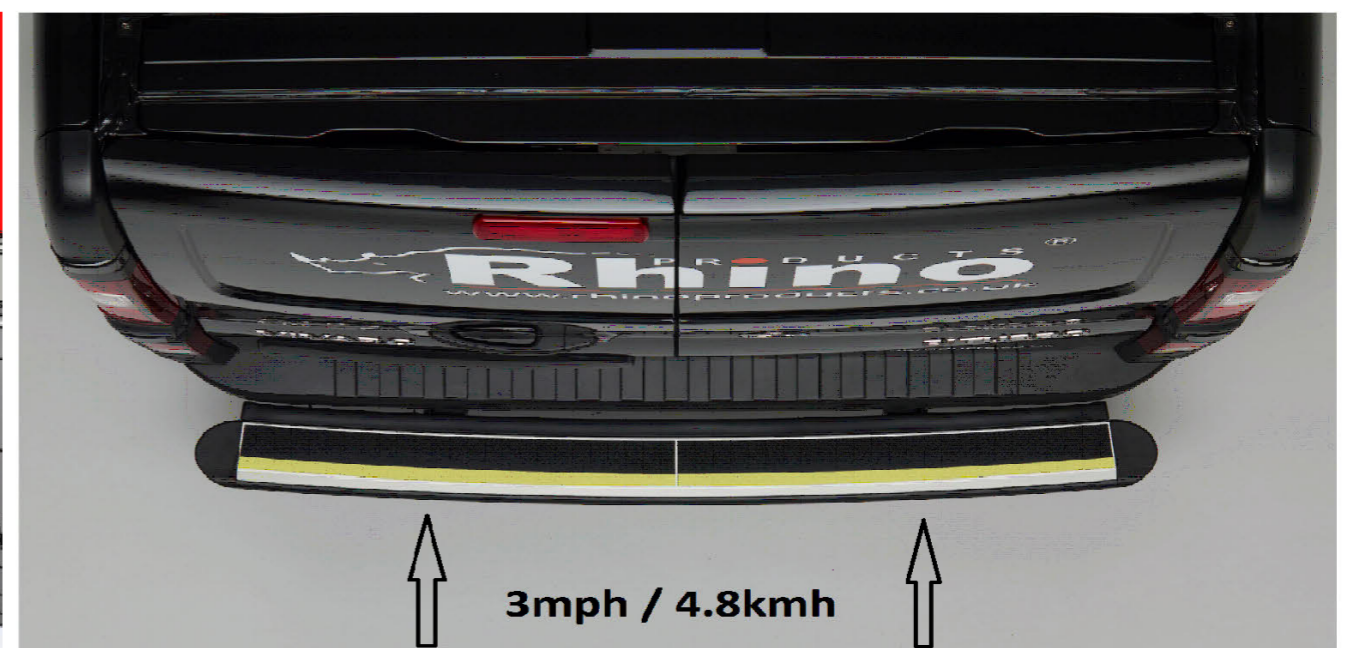
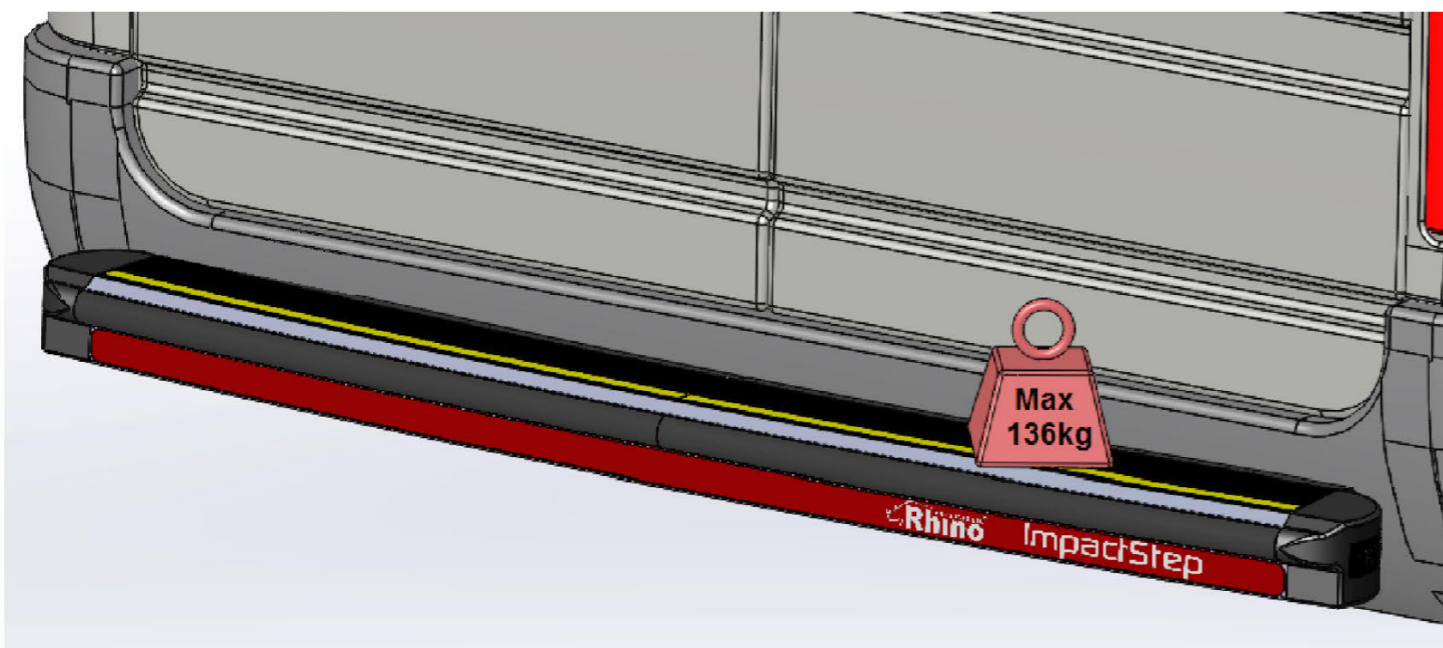
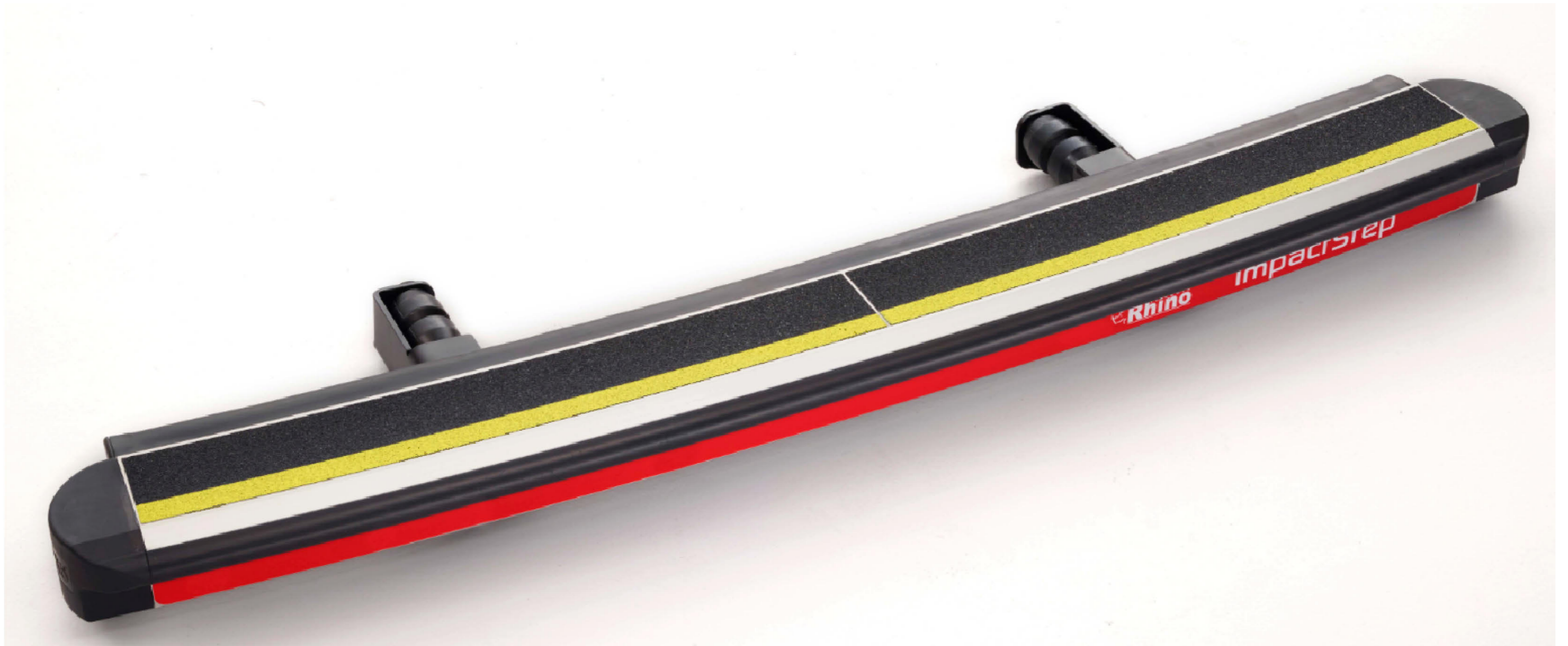
13mm x 1



13mm x 1



IMPACT STEP FITTING INSTRUCTIONS



SAFESTEP FITTING INSTRUCTIONS

FITTING KIT CONTENTS FK903
(1:1)

1.



FB006 (M8 x 30) x 4

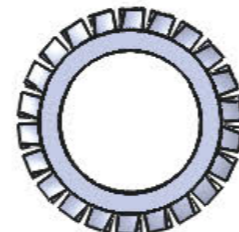


FS082 (M12 x 45) x 4

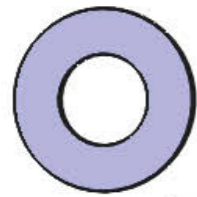


FN006 (M8) x 4

SAFESTEP	✓
IMPACT STEP	✗

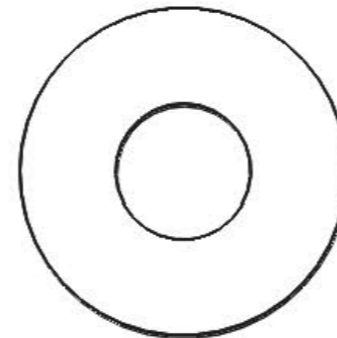


FW029 (M12) x 4



FW021 (M8) x

SAFESTEP	8
IMPACT STEP	4



FW026 (M12) x 8



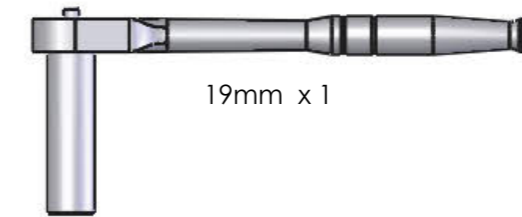
FW020 (M8) x 4

FITTING TIME: 40 Minutes

2.



x 1



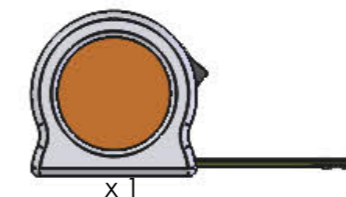
19mm x 1



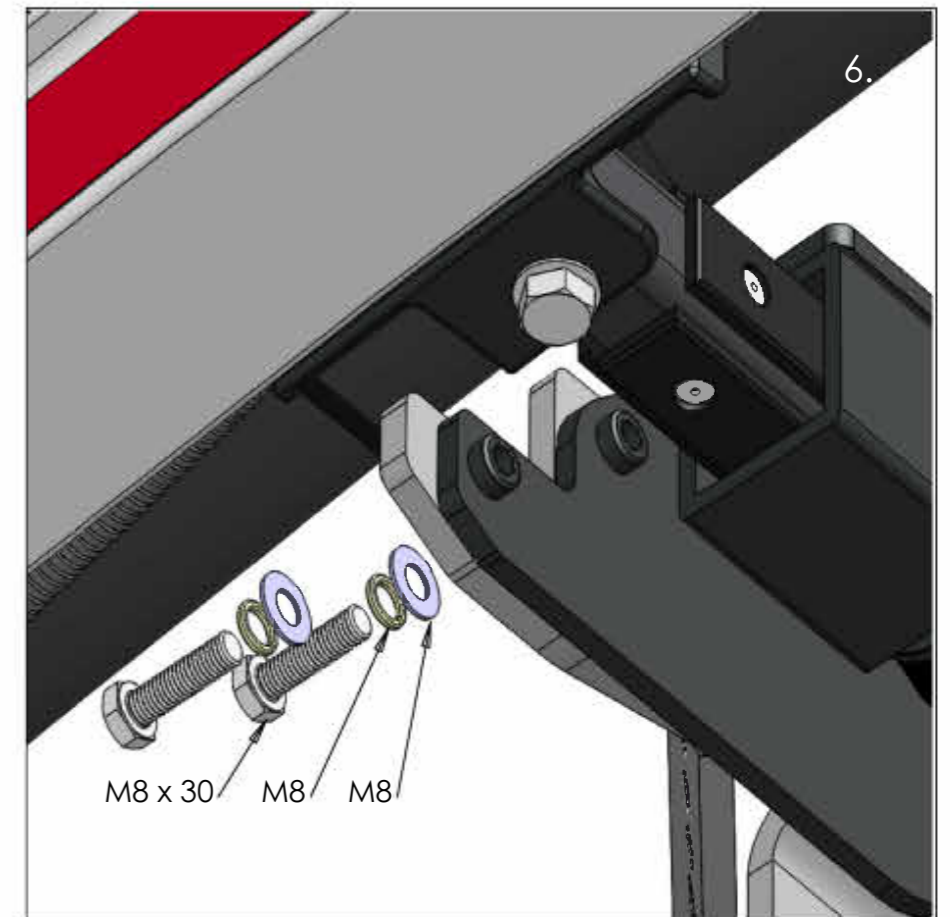
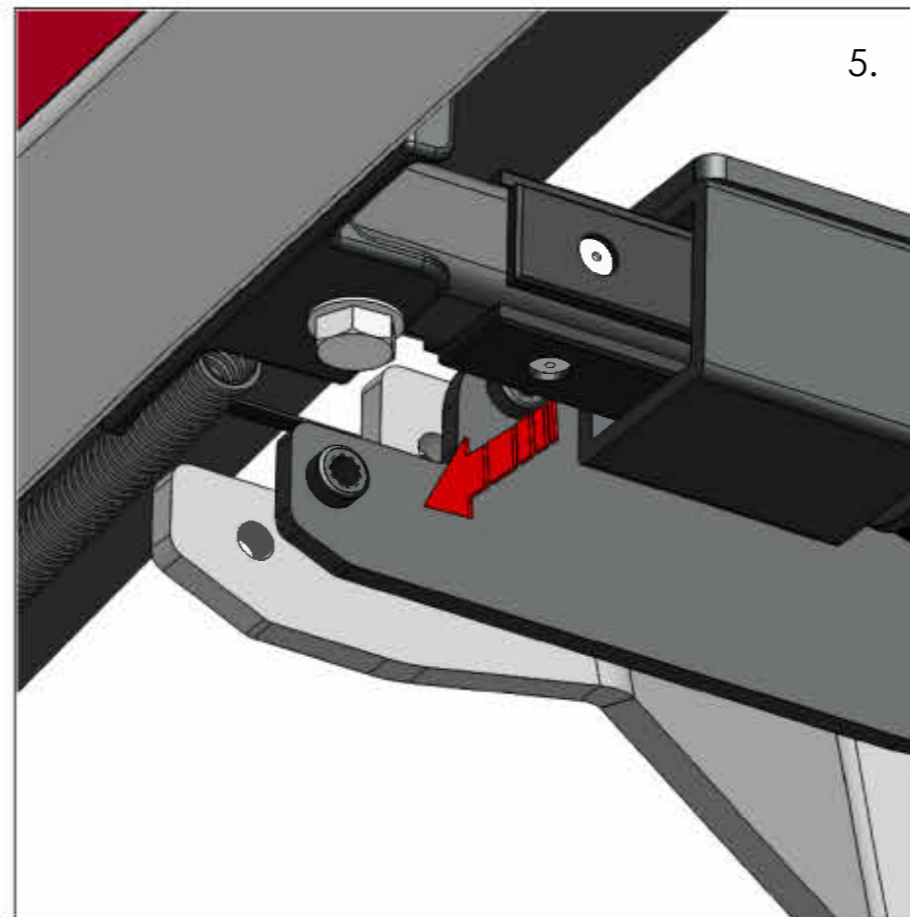
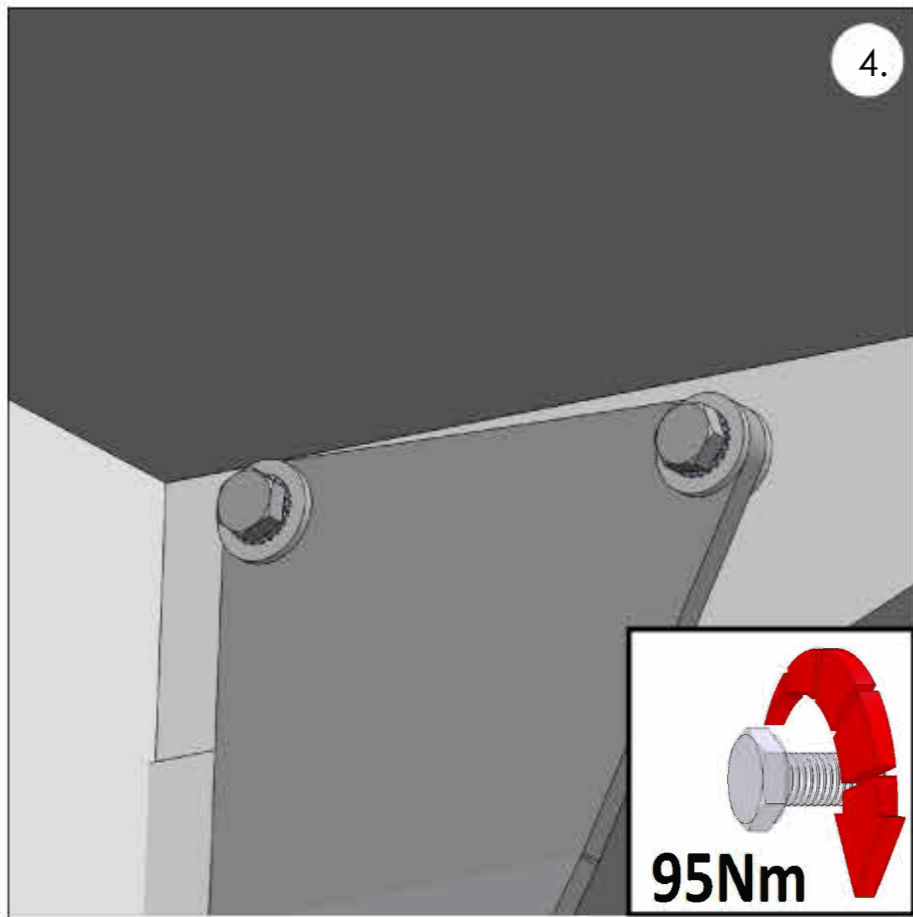
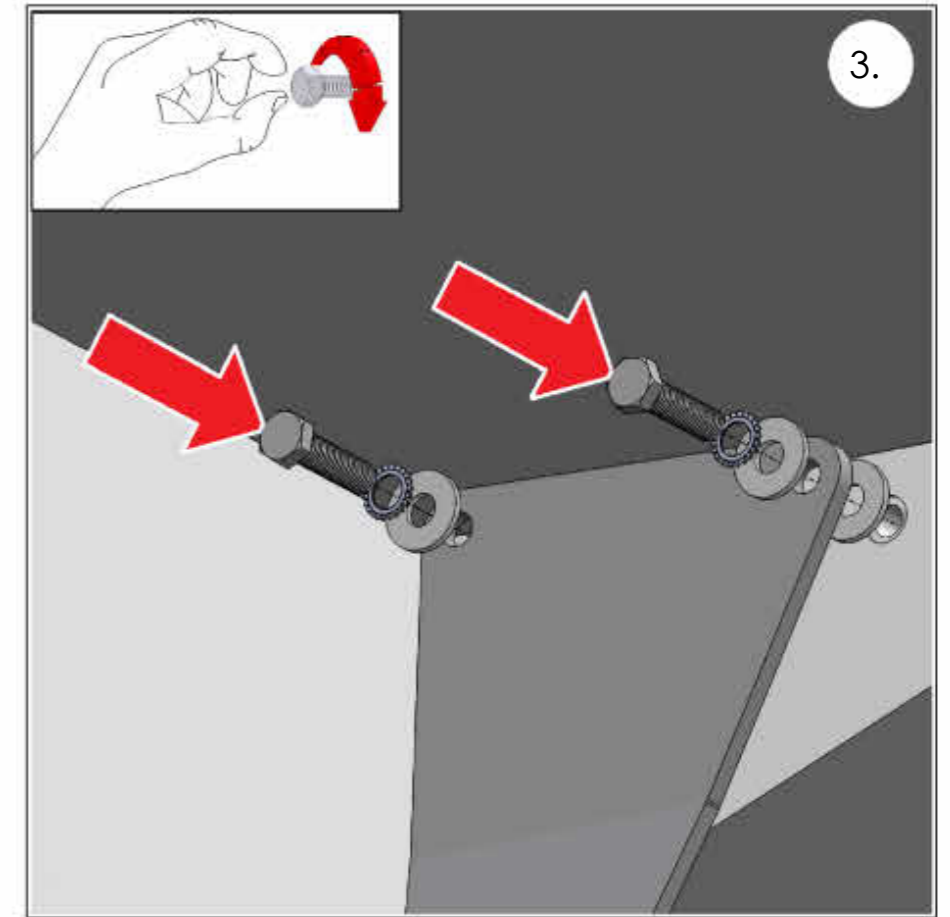
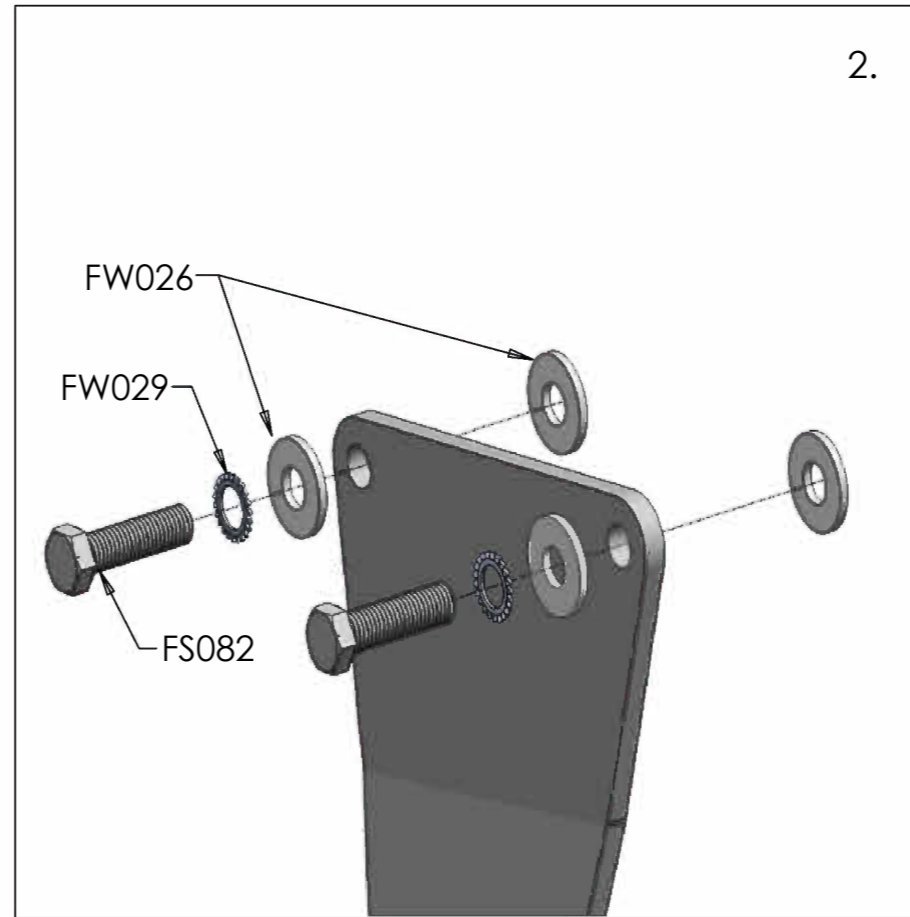
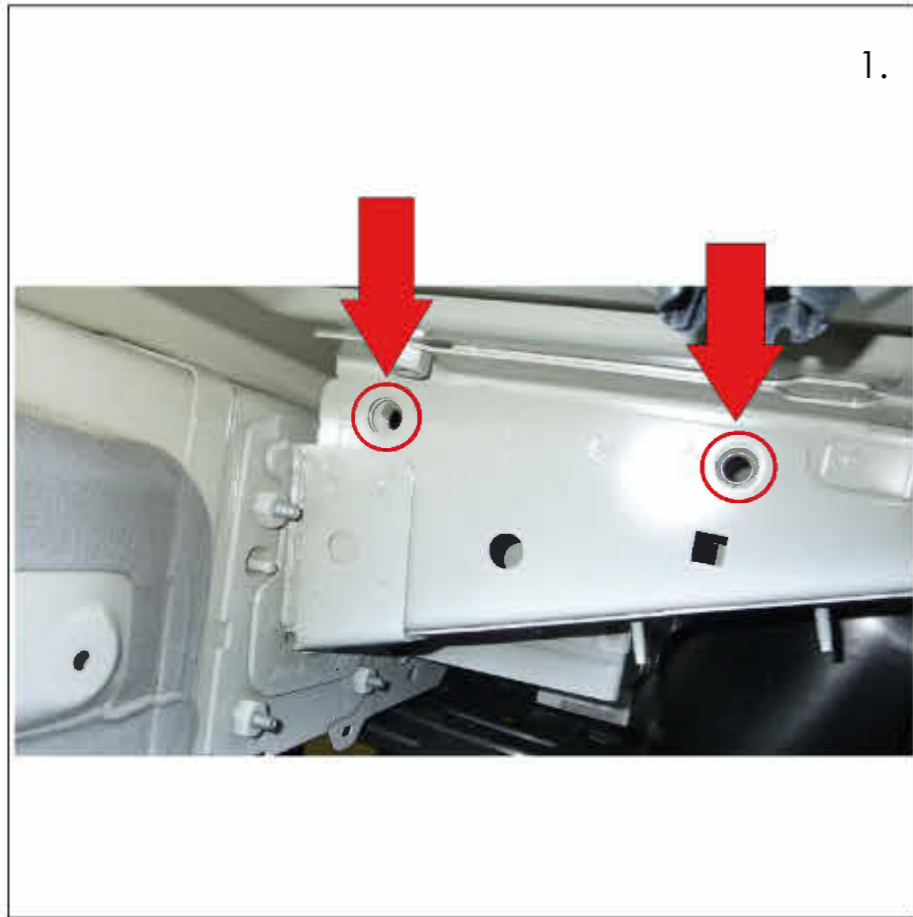
13mm x 1



13mm x 1



x 1



IMPACT STEP FITTING INSTRUCTIONS

