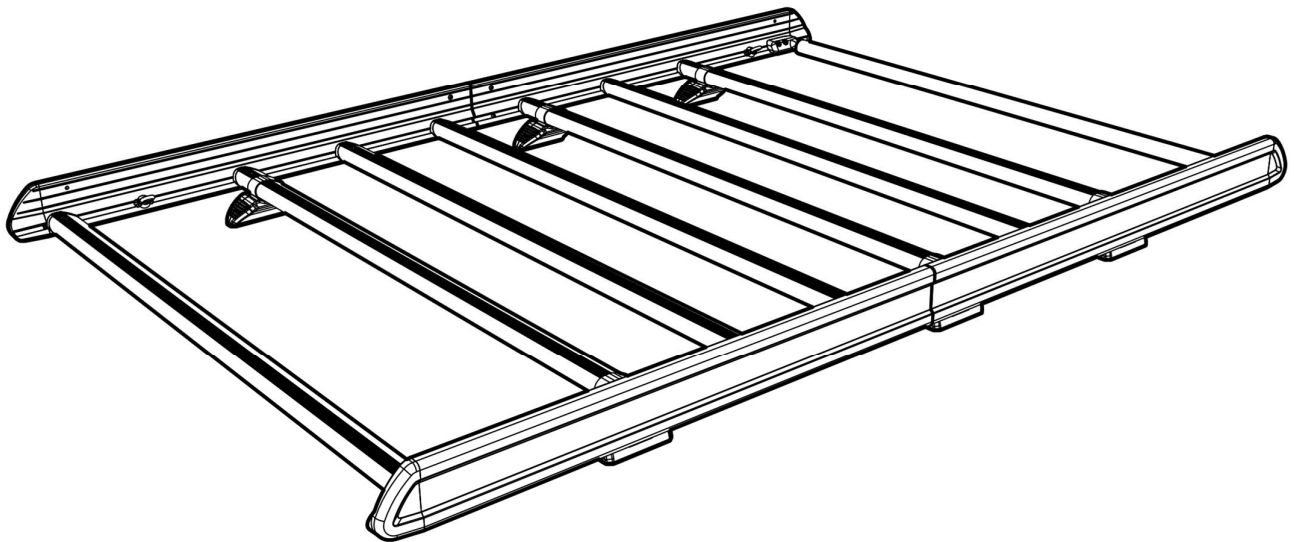


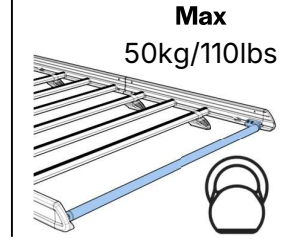
Issue:	Drawn By:	Checked By:	CRF No.:	Date:	Description:
a	SJ	KB	3609	21/10/25	First Issue
b					
c					
d					

T54KE

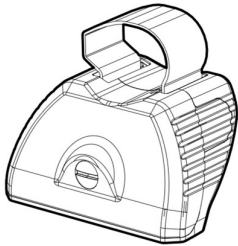
KammEdge.

Instructions

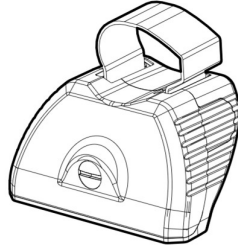




KammEdge.



SA397U x 4



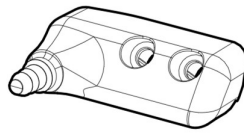
SA398U x 4



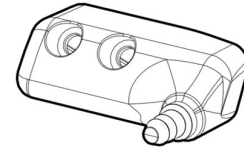
SA429/SA467 x 8



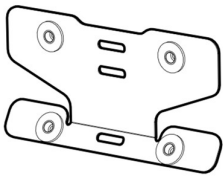
SA437 x 1



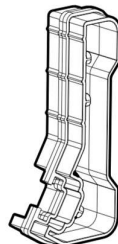
PS519 x 1



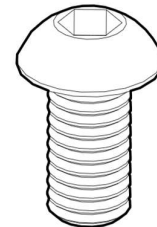
PS520 x 1



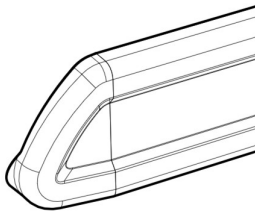
SA610 x 2



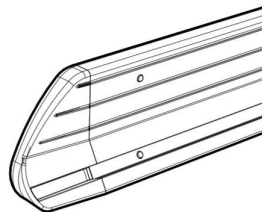
PS635 x 2



**FS323
(M6 x 16) x 8**



LSF (L) x 2

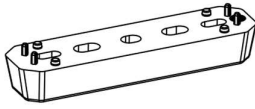


LSF (R) x 2

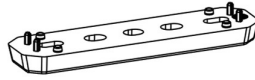


**C04 x 8
*optional upgrade***

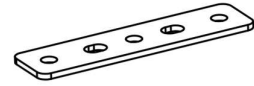
Fitting Kit



PS183 x 4



PS178 x 4



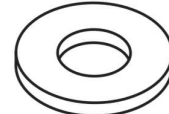
PS023 x 8



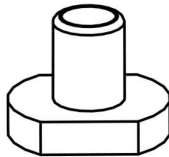
PS009 x 16



FW008 (M6) x 8



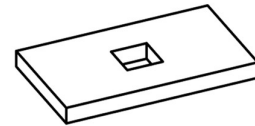
FW001 (M6) x 24



FN085 x 20



FN001 (M6) x 16



MS098 x 16



FS042
(M6 x 40) x 4



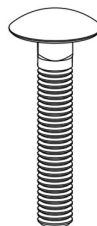
FS039
(M6 x 30) x 4



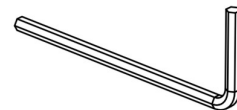
FS059
(M8 x 25) x 20



FS104
(M6 x 45) x 8



FS048
(M6 x 35) x 8



FT05 x 1



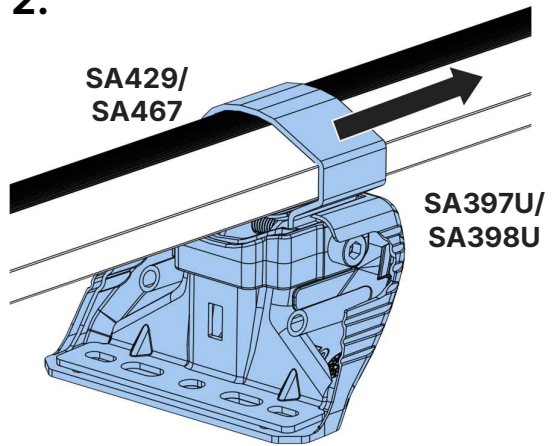
FT01 x 1



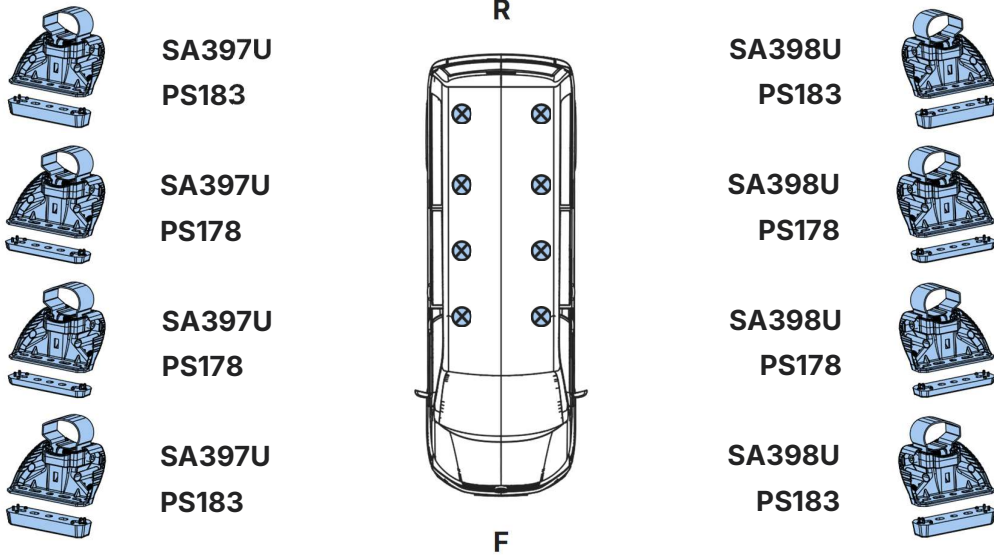
1.



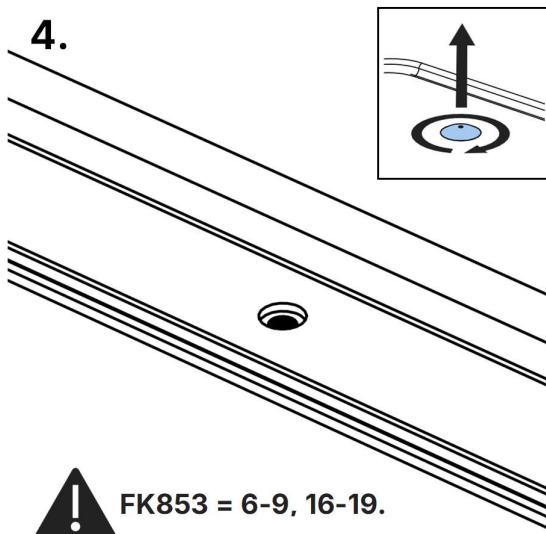
2.



3.

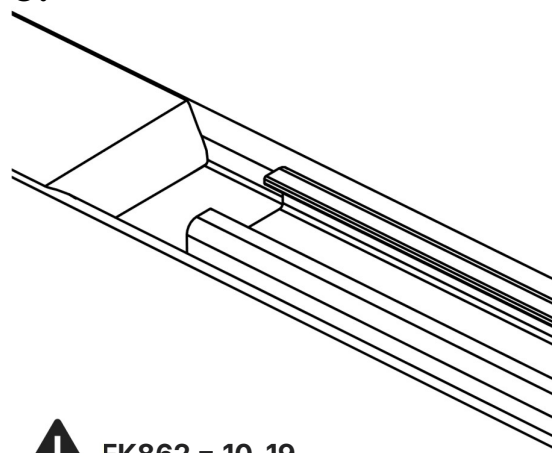


4.

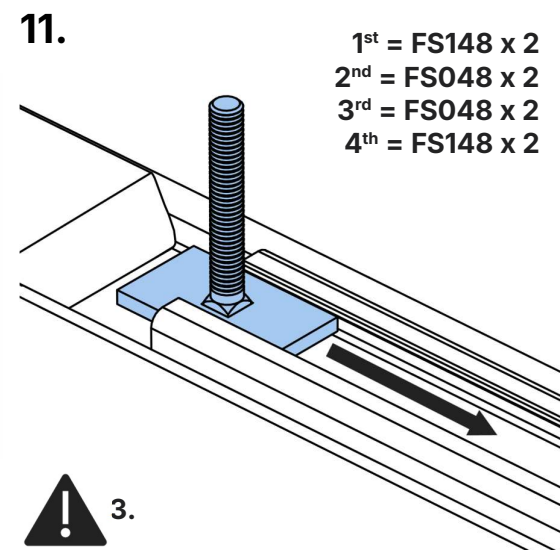
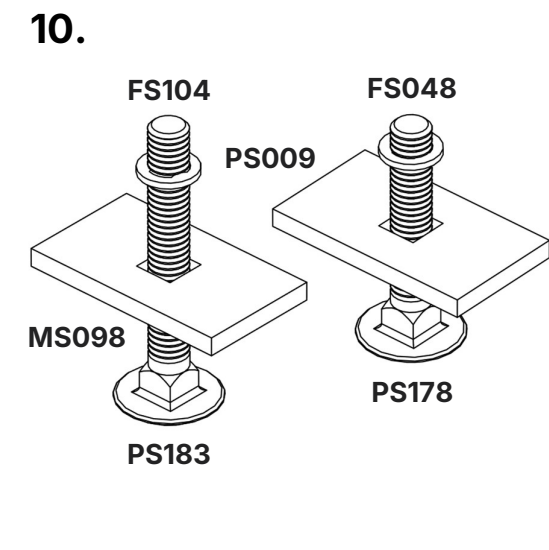
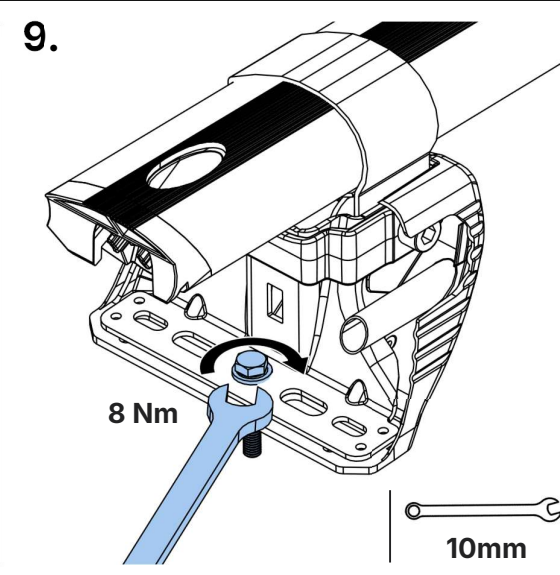
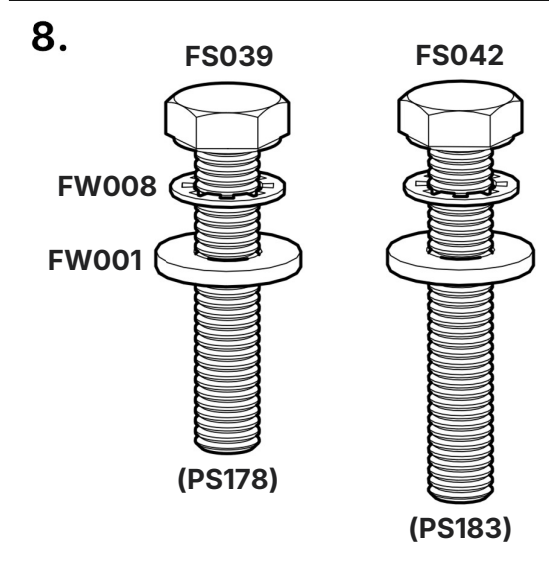
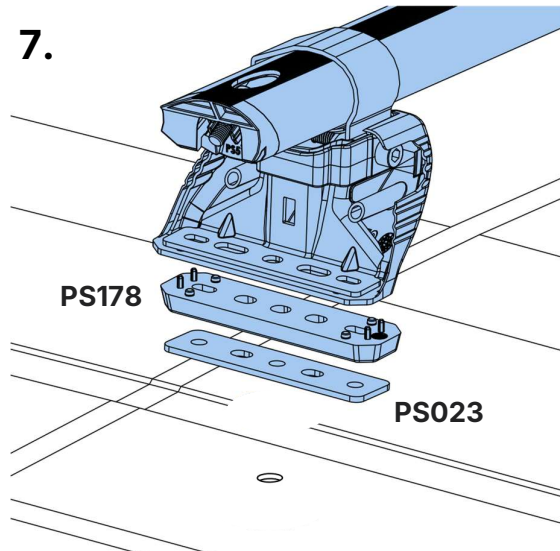
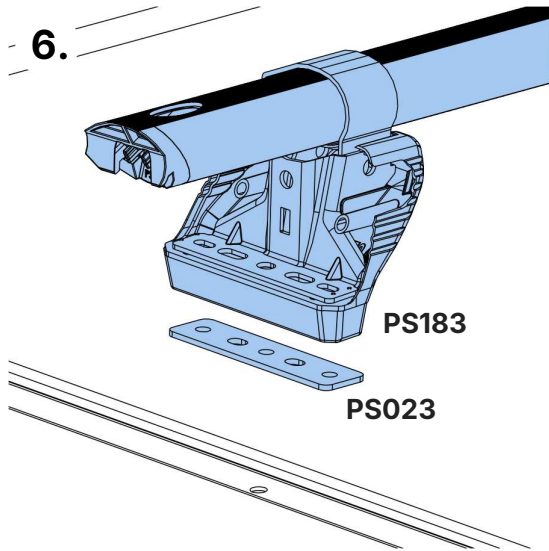


FK853 = 6-9, 16-19.

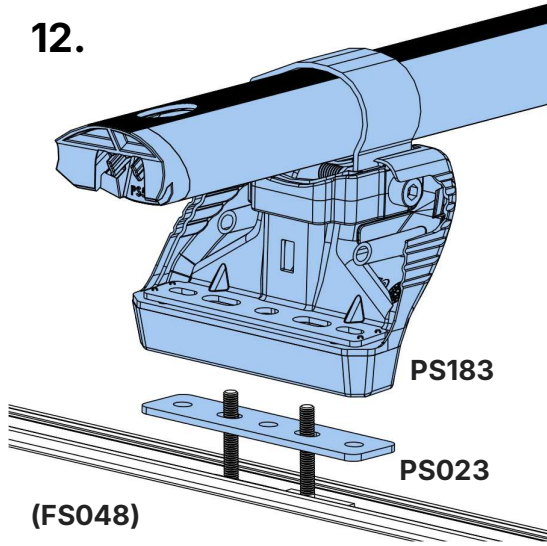
5.



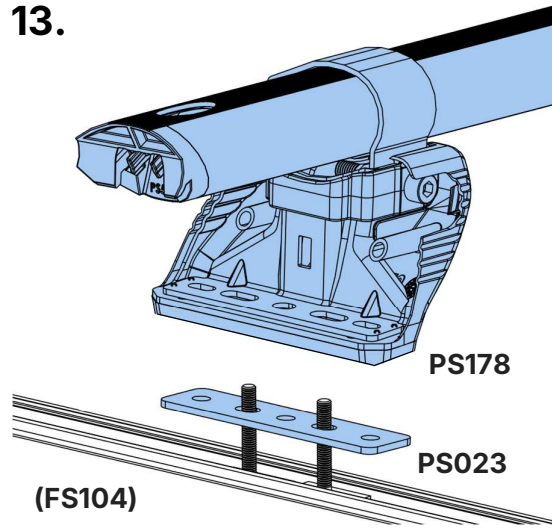
FK862 = 10-19.



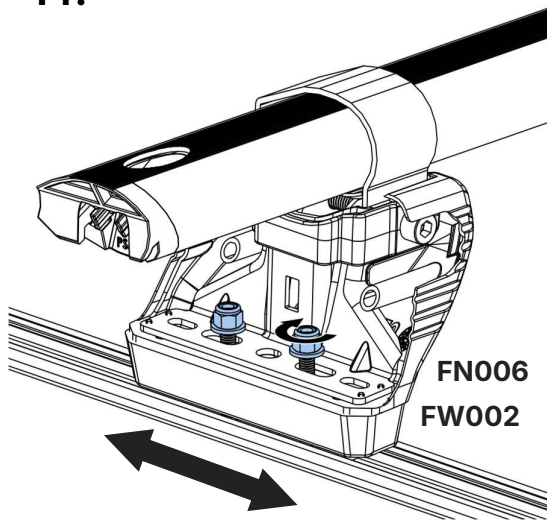
12.



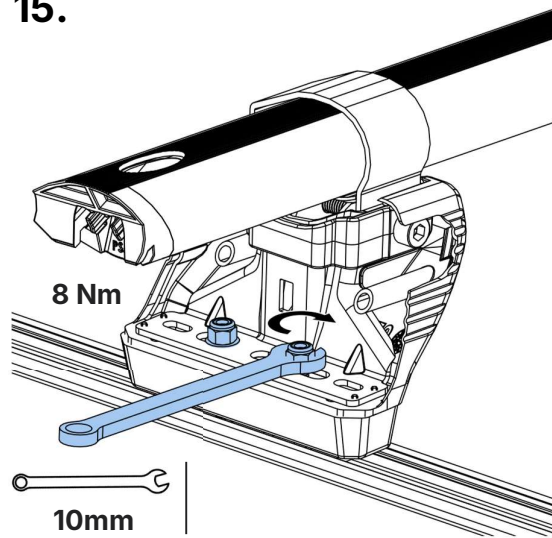
13.



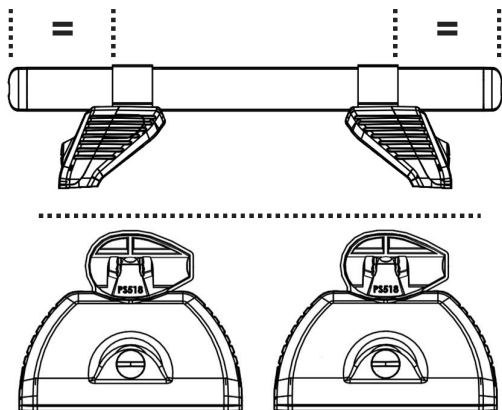
14.



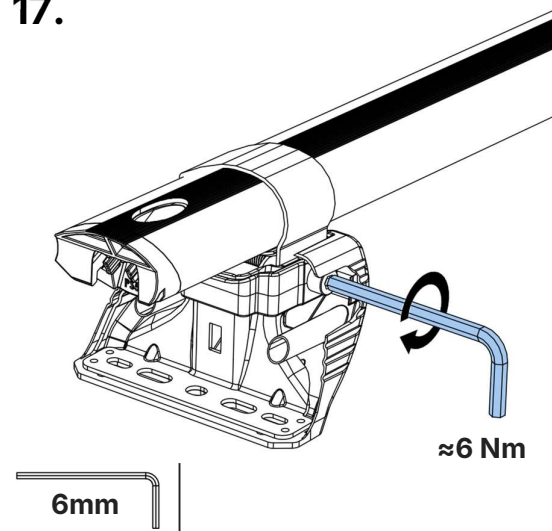
15.

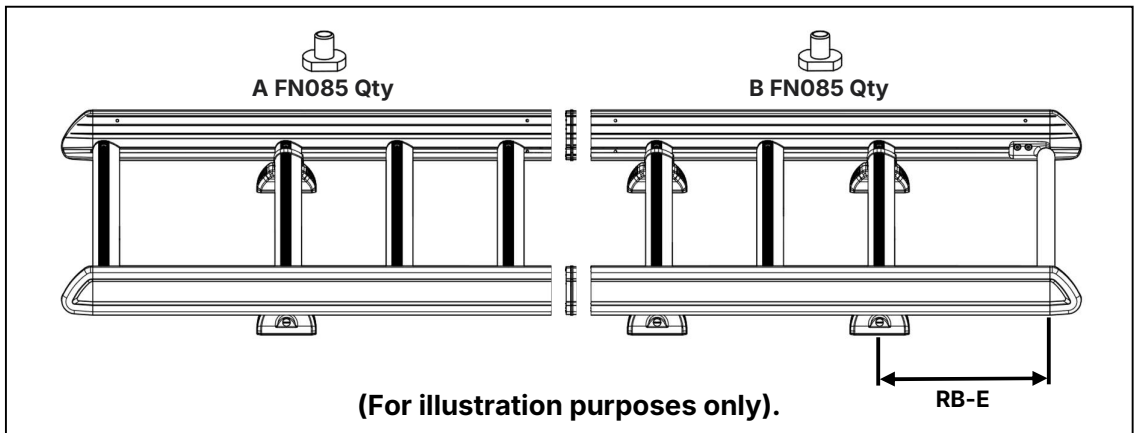
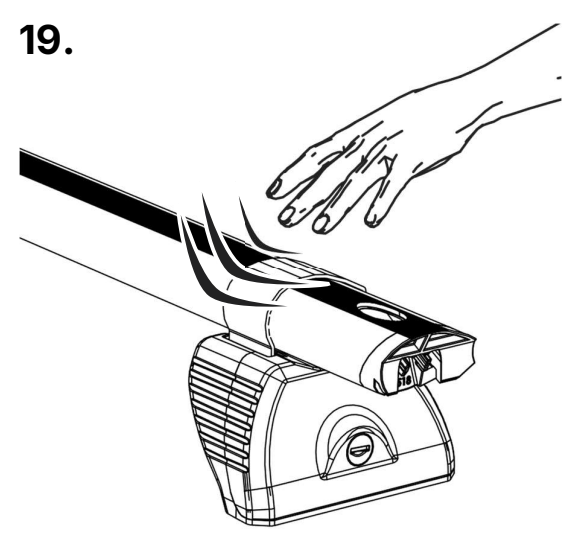
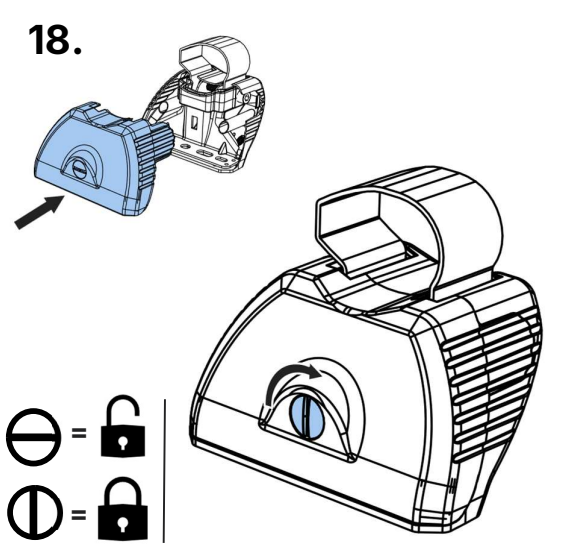


16.



17.





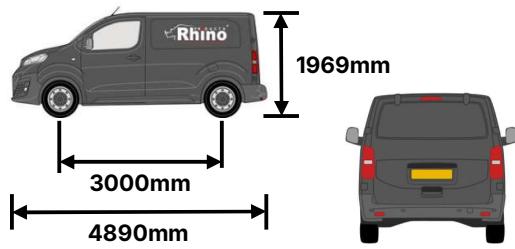
L507/LB507- T5 2003-2016, T6 2016-2023 L1-H1 (Twin)		
<p>Max Load = 150kg/330lbs</p> <p>L507/LB507 = 27kg/60lbs</p>		
A FN085 Qty	B FN085 Qty	Rear Bar – End (mm)
4	6	410

L508/LB508- T5 2003-2016, T6 2016-2023 L1-H1 (Tailgate)

Max Load = 150kg/330lbs



L508/LB508 = 27kg/60lbs



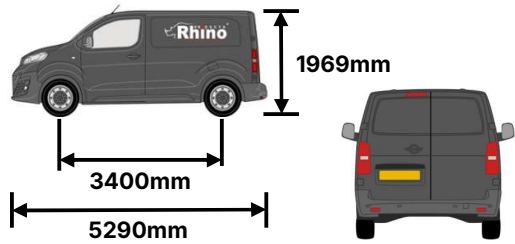
A FN085 Qty	B FN085 Qty	Rear Bar – End (mm)
4	6	250

L510/LB510- T5 2003-2016, T6 2016-2023 L2-H1 (Twin)

Max Load = 150kg/330lbs



L510/LB510 = 27kg/60lbs



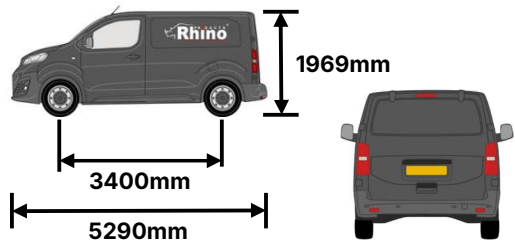
A FN085 Qty	B FN085 Qty	Rear Bar – End (mm)
4	6	450

L509/LB509- T5 2003-2016, T6 2016-2023 L2-H1 (Tailgate)

Max Load = 150kg/330lbs

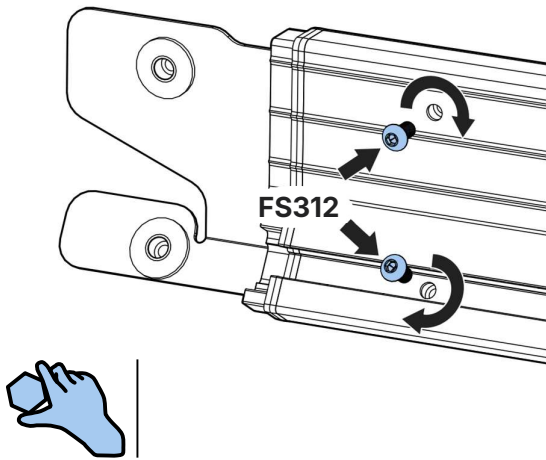


L509/LB509 = 26kg/58lbs

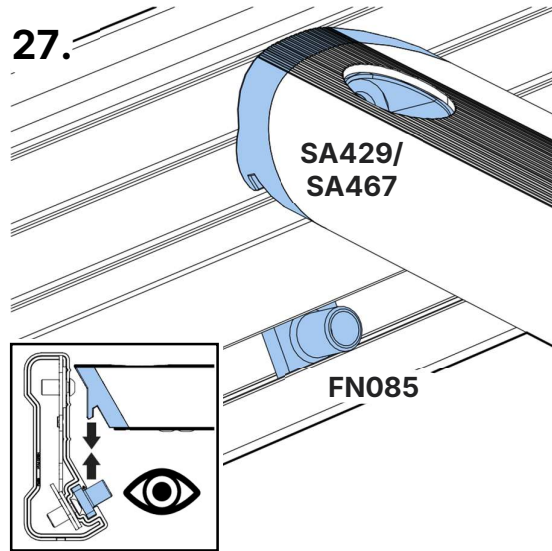


A FN085 Qty	B FN085 Qty	Rear Bar – End (mm)
4	6	250

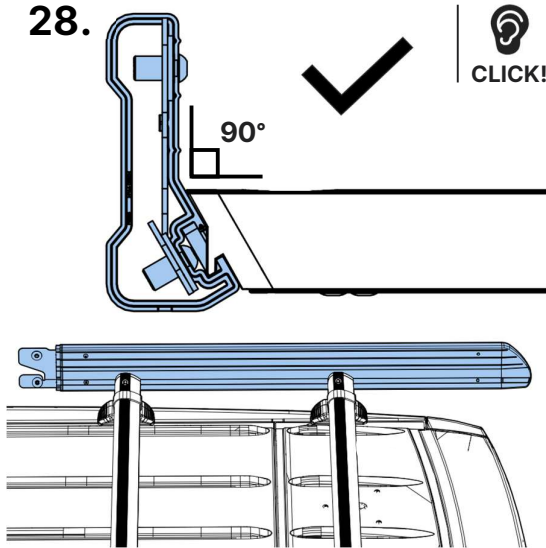
26.



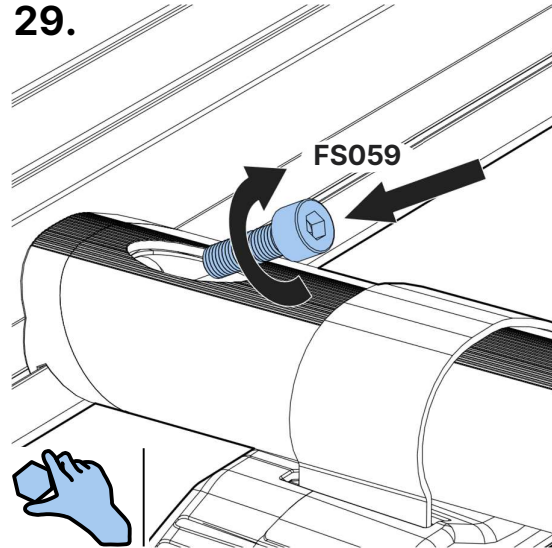
27.



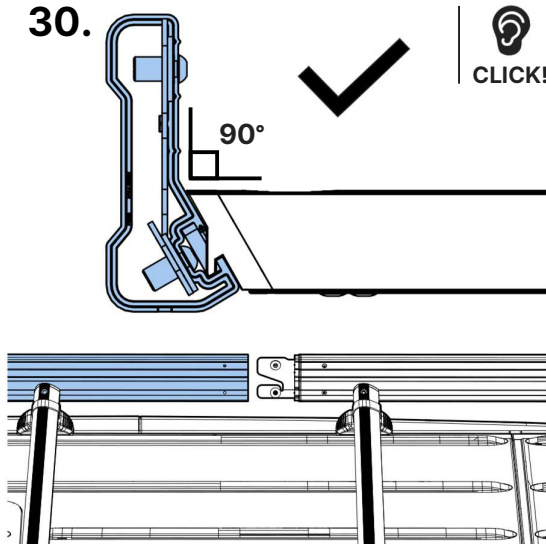
28.



29.



30.



31.

