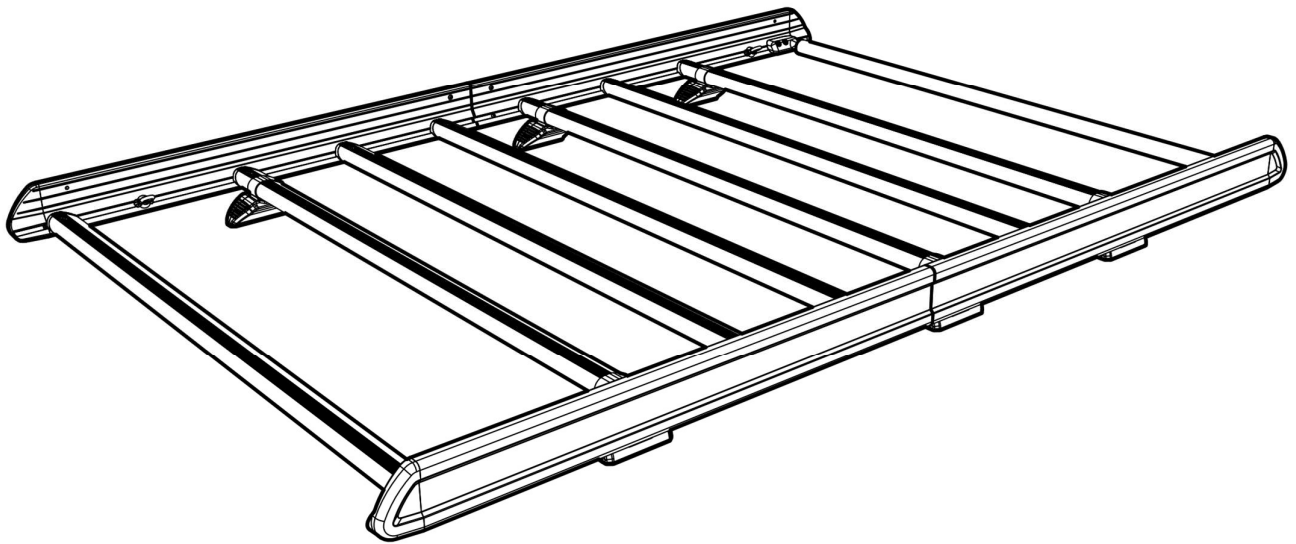


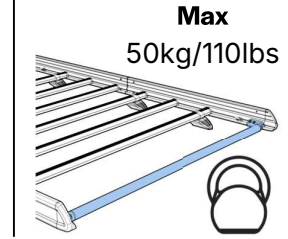
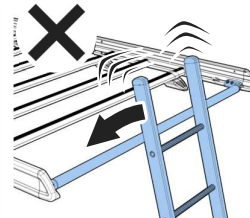
Issue:	Drawn By:	Checked By:	CRF No.:	Date:	Description:
a	SJ	KB	3609	21/10/25	First Issue
b					
c					
d					

TA3KE

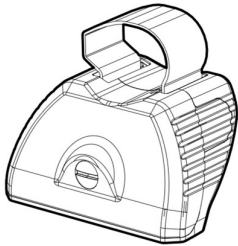
KammEdge.

Instructions

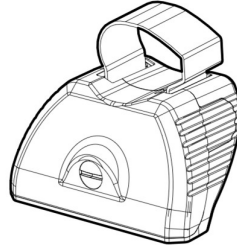




KammEdge.



SA397U x 3



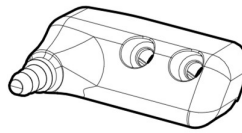
SA398U x 3



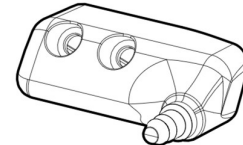
SA428/SA466 x 5



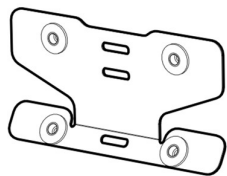
SA436 x 1



PS519 x 1



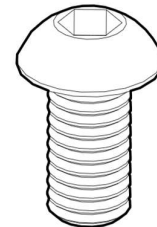
PS520 x 1



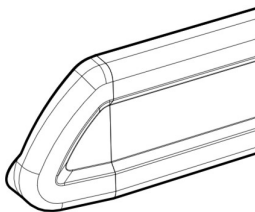
SA610 x 2



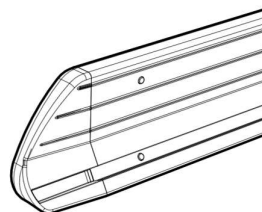
PS635 x 2



**FS323
(M6 x 16) x 8**



LSF (L) x 2

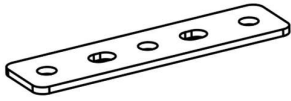


LSF (R) x 2

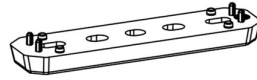


**C04 x 6
*optional upgrade***

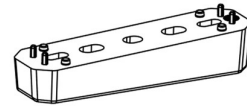
Fitting Kit



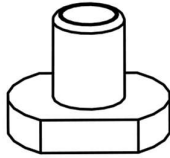
PS023 x 6



PS178 x 2



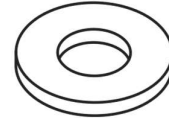
PS176 x 4



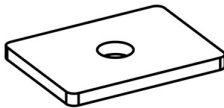
FN085 x 14



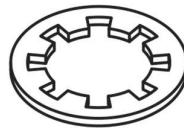
FN006 (M8) x 4



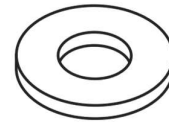
FW002 (M8) x 4



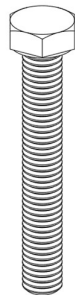
PS020 x 4



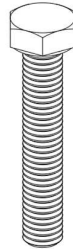
FW008 (M6) x 2



FW001 (M6) x 2



FS105
(M8 x 55) x 2



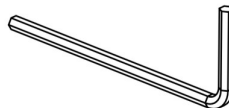
FS066
(M8 x 40) x 2



FB001
(M6 x 55) x 2



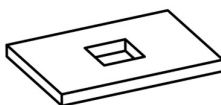
FT01 x 1



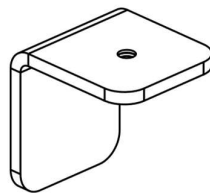
FT05 x 1



FS059
(M8 x 25) x 14



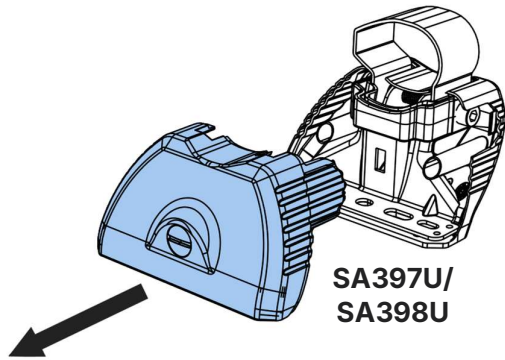
MS209 x 4



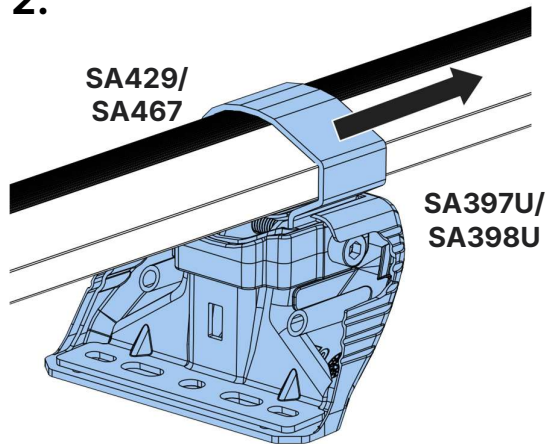
MS390 x 2



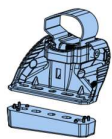
1.



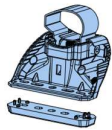
2.



3.



SA397U
PS176

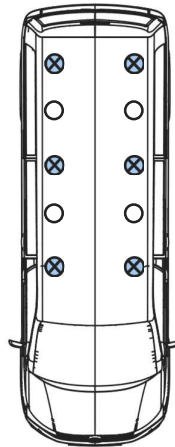


SA397U
PS178



SA397U
PS176

R



F

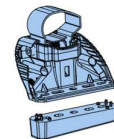
SA398U
PS176



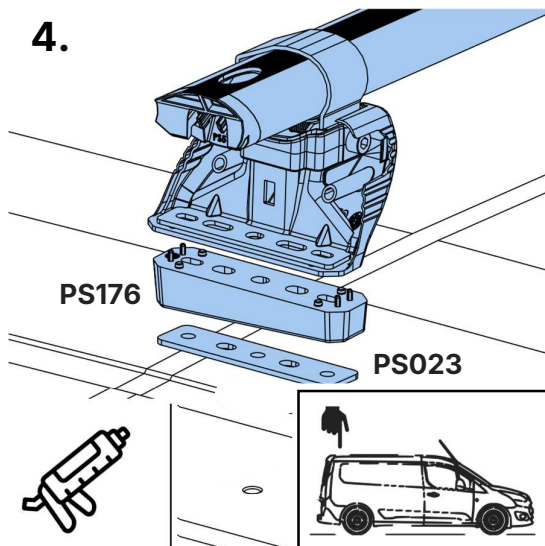
SA398U
PS178



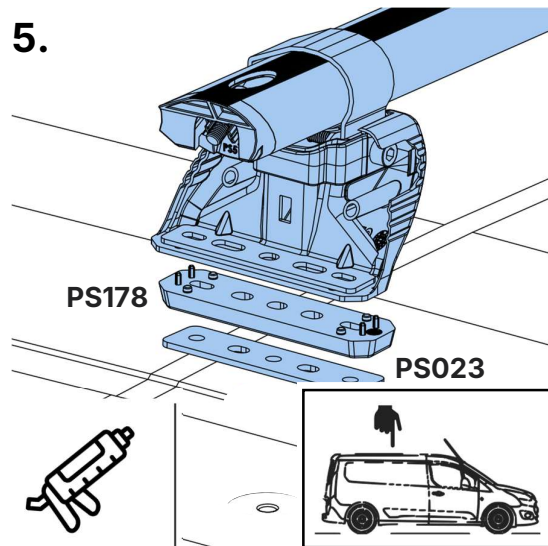
SA398U
PS176

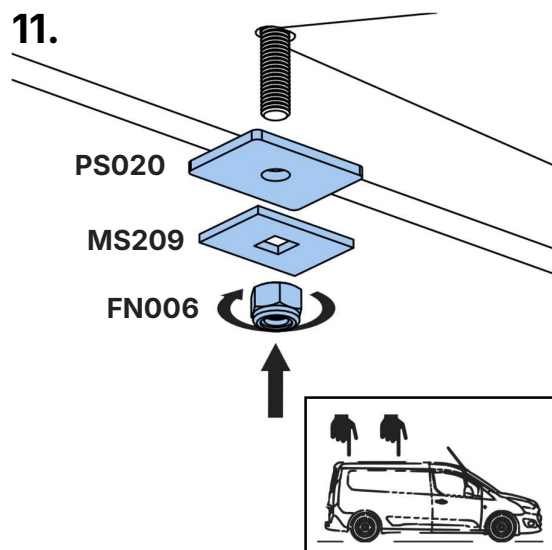
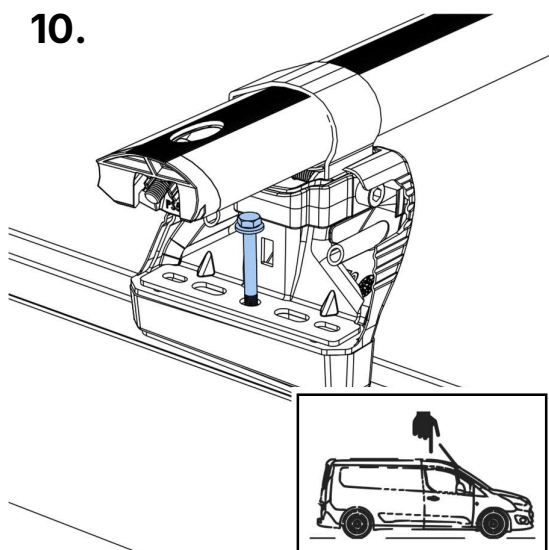
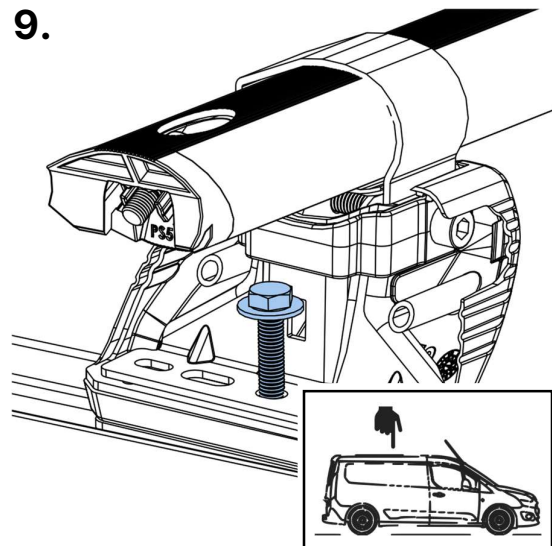
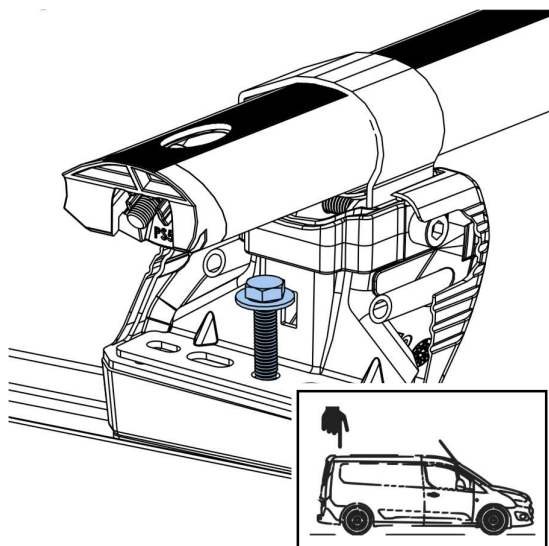
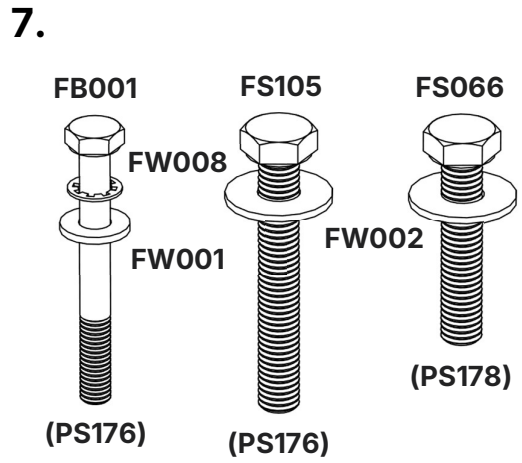
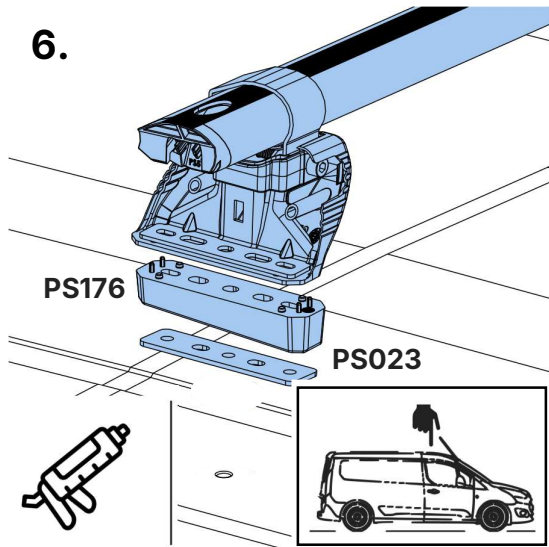


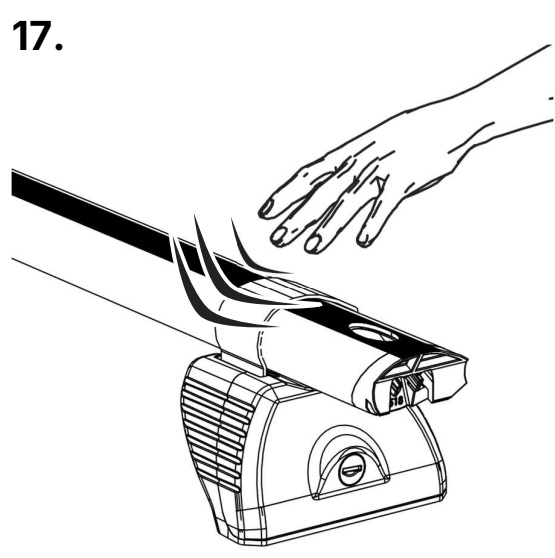
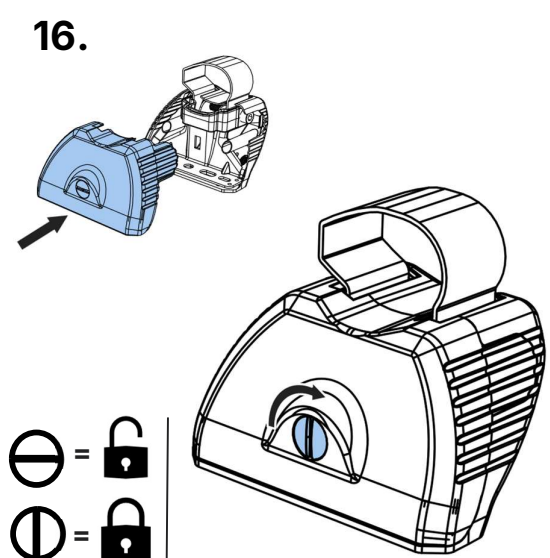
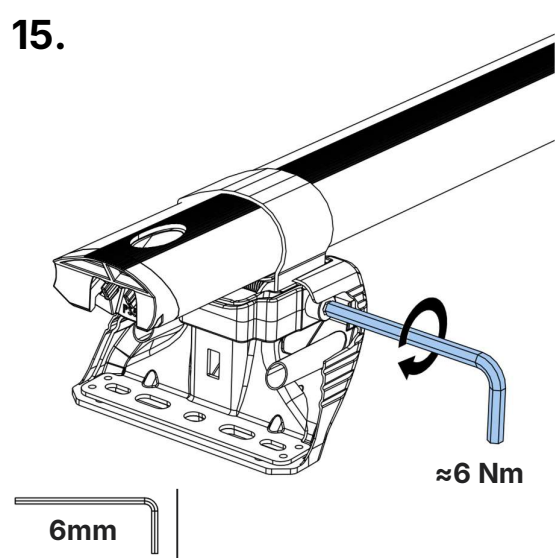
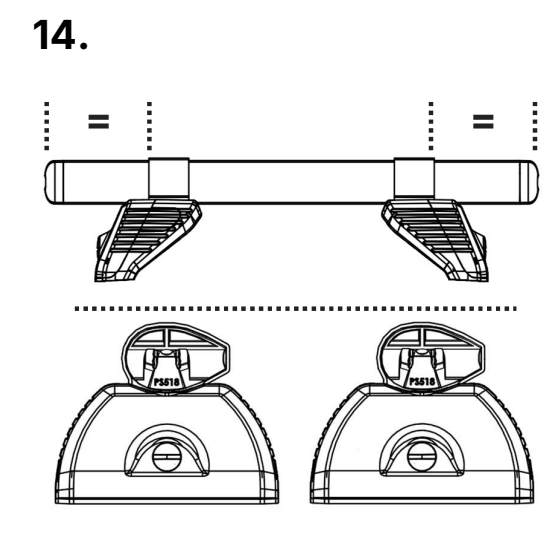
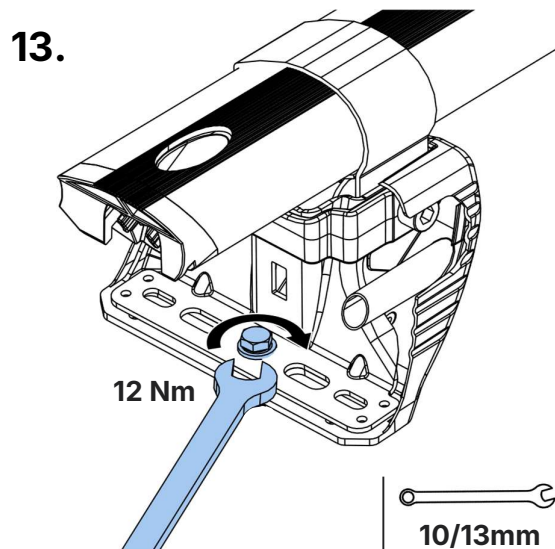
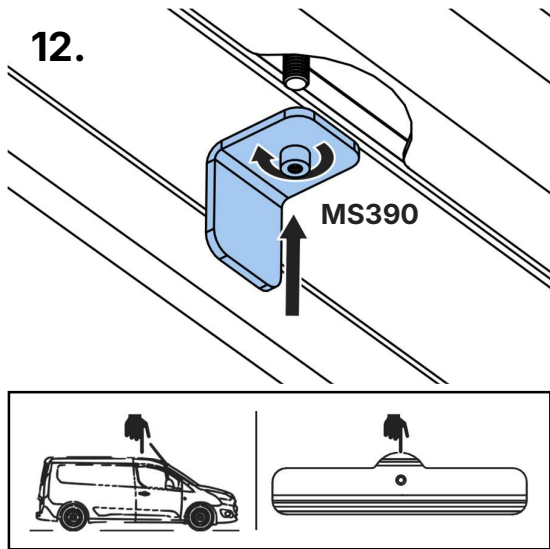
4.

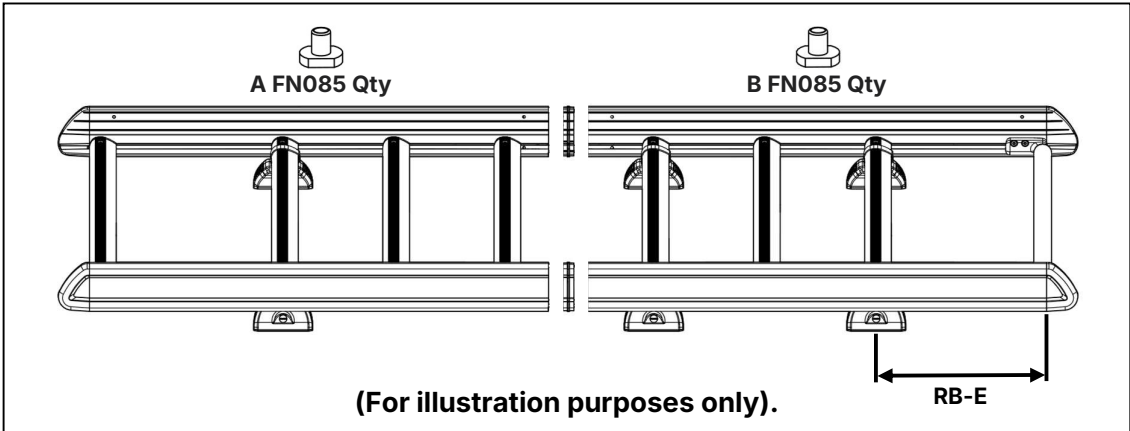


5.







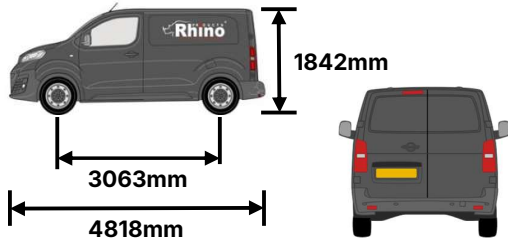


L622/LB622- Connect 2013-2023, L2-H1 (Twin)

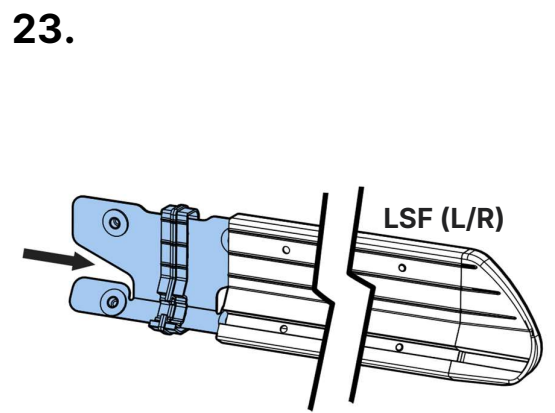
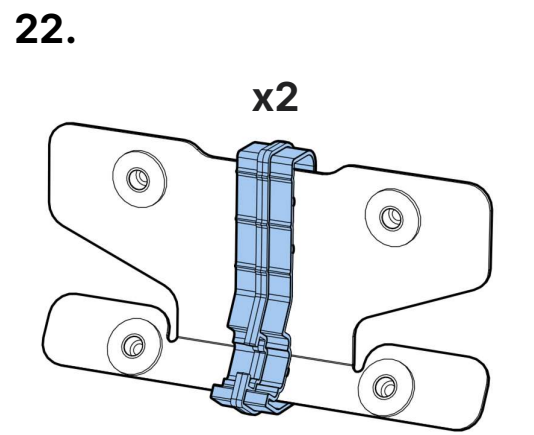
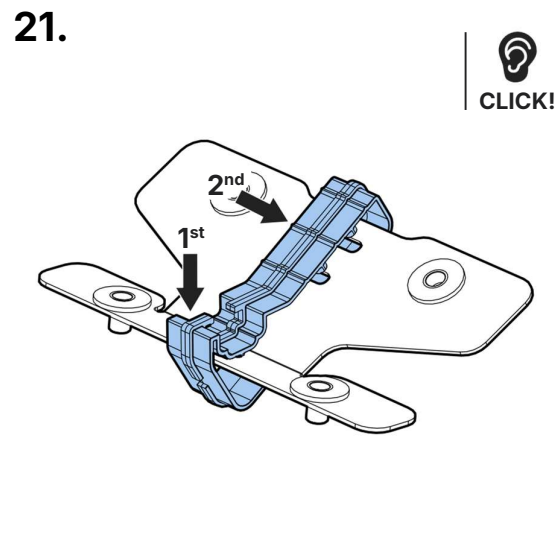
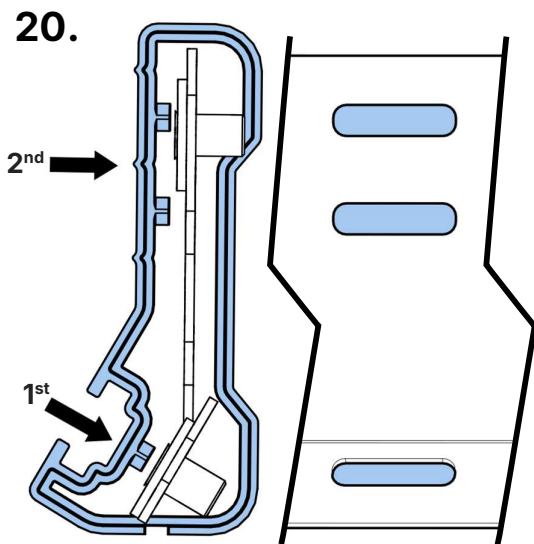
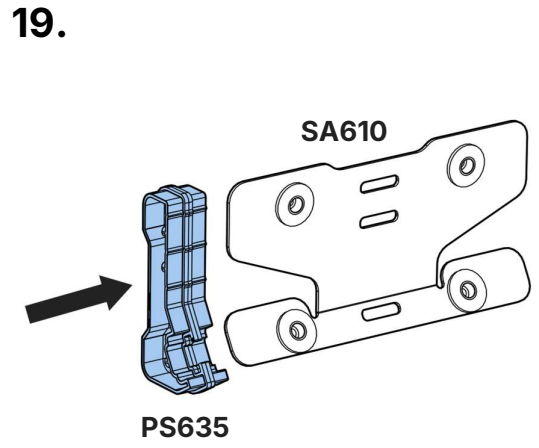
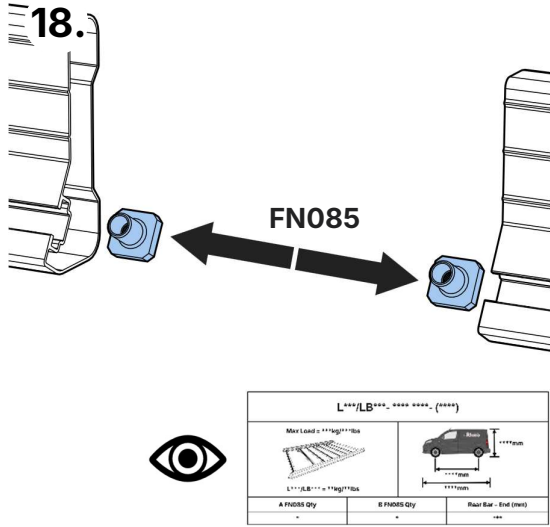
Max Load = 150kg/330lbs



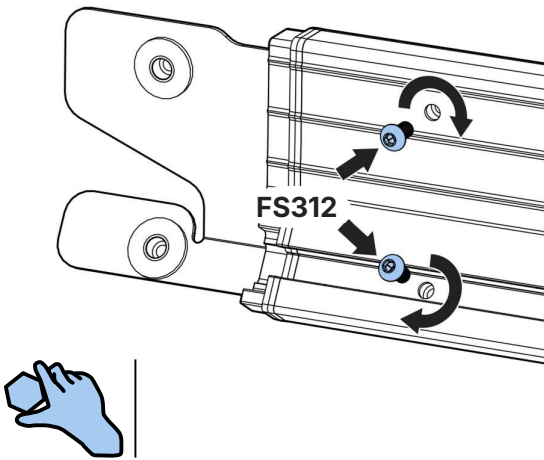
L622/LB622 = 20kg/44lbs



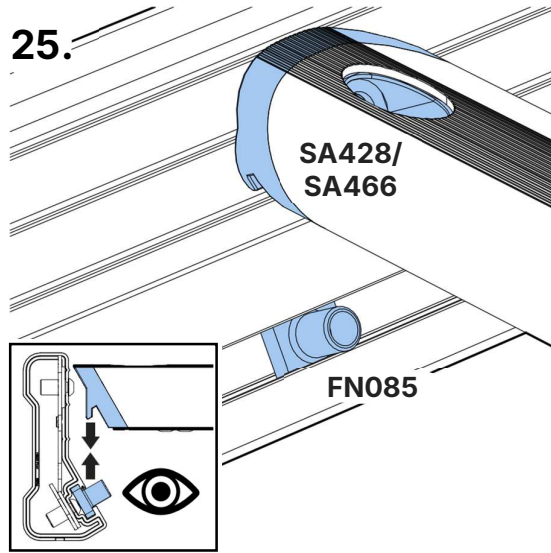
A FN085 Qty	B FN085 Qty	Rear Bar – End (mm)
3	4	350



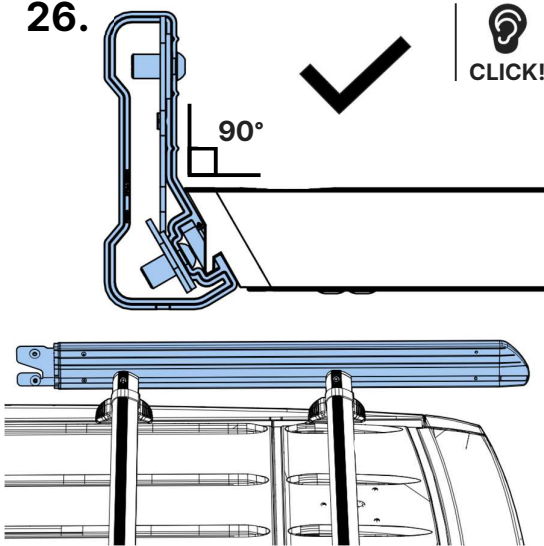
24.



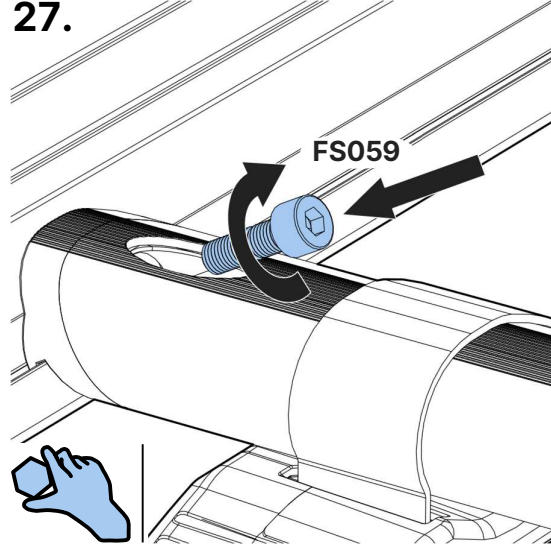
25.



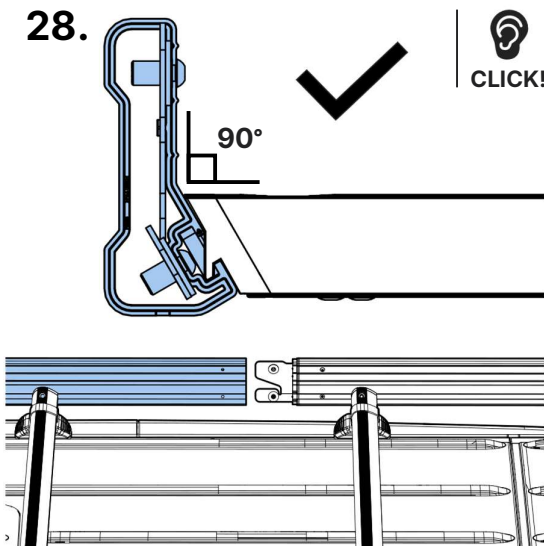
26.



27.



28.



29.

