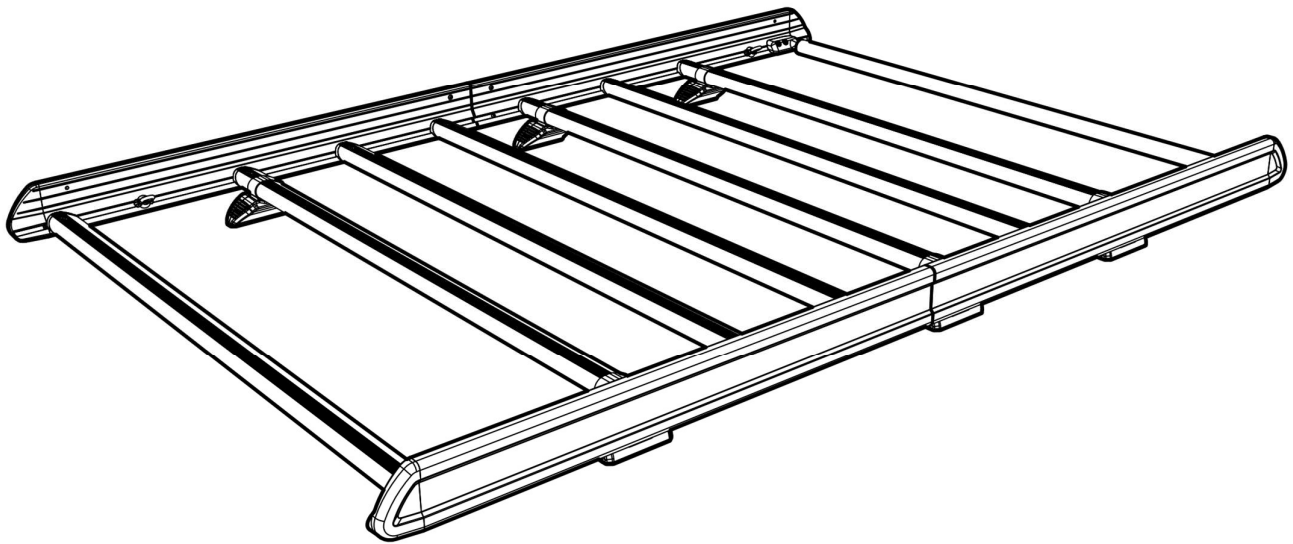


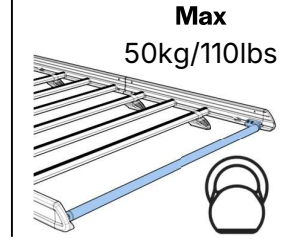
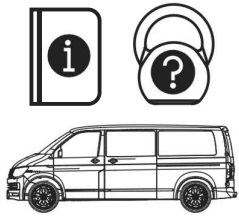
<b>Issue:</b>	<b>Drawn By:</b>	<b>Checked By:</b>	<b>CRF No.:</b>	<b>Date:</b>	<b>Description:</b>
a	SJ	KB	3609	21/10/25	First Issue
b					
c					
d					

# TC4KE

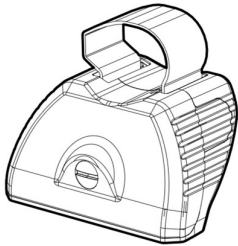
# KammEdge.

## Instructions

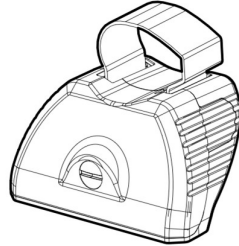




**KammEdge.**



**SA397U x 4**



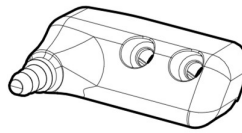
**SA398U x 4**



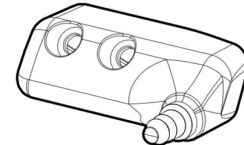
**SA430/SA468 x 8**



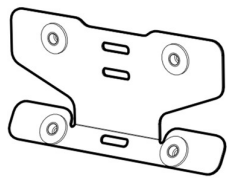
**SA438 x 1**



**PS519 x 1**



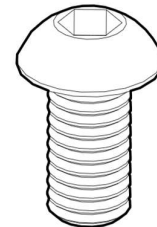
**PS520 x 1**



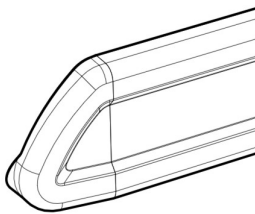
**SA610 x 2**



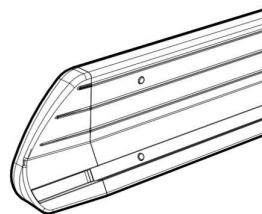
**PS635 x 2**



**FS323  
(M6 x 16) x 8**



**LSF (L) x 2**

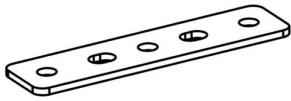


**LSF (R) x 2**

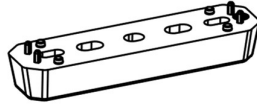


**C04 x 8**  
\*optional upgrade\*

# Fitting Kit



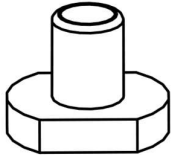
PS023 x 8



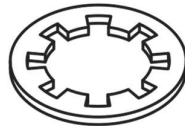
PS183 x 8



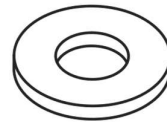
FS059  
(M8 x 25) x 20



FN085 x 20



FW009 (M8) x 8



FW002 (M8) x 8



FS081  
(M8 x 50) x 8



FT01 x 1



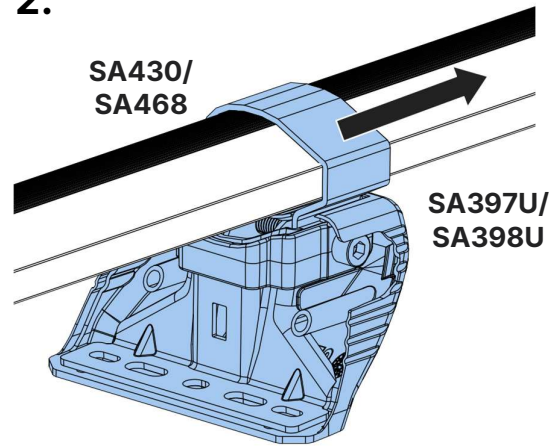
FT05 x 1



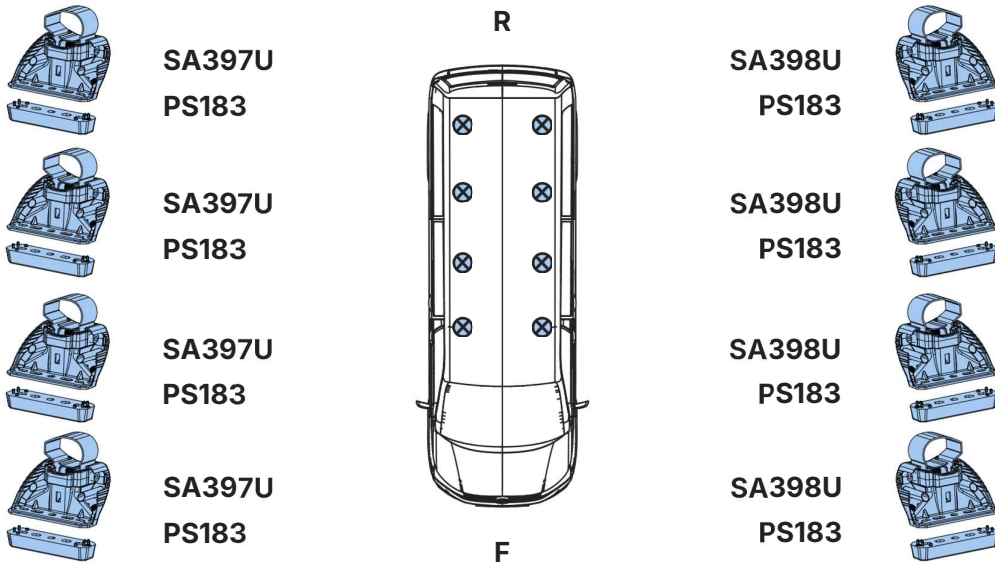
1.



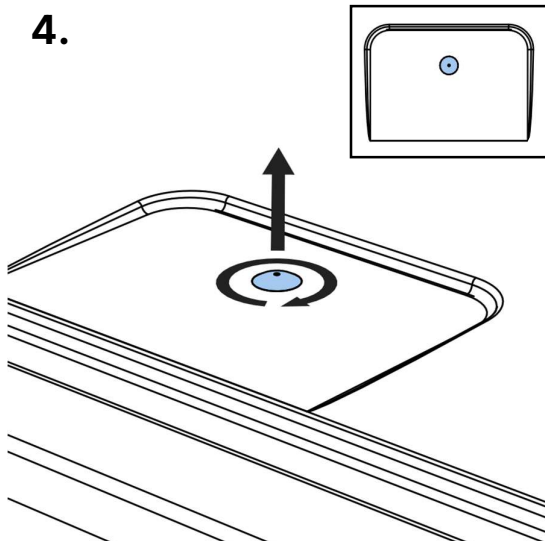
2.



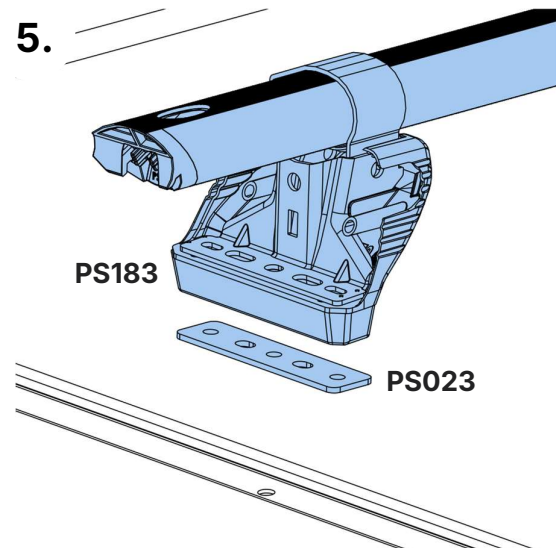
3.



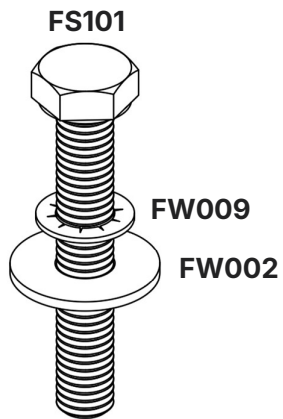
4.



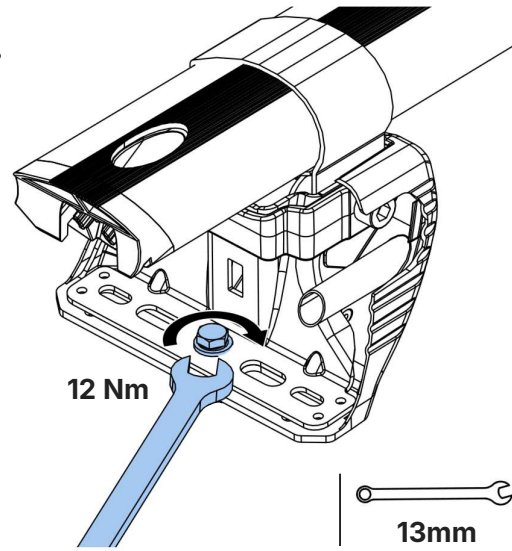
5.



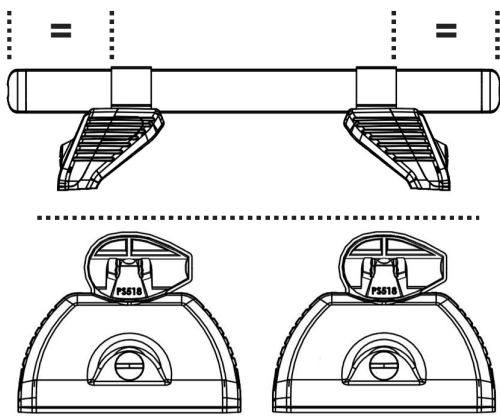
6.



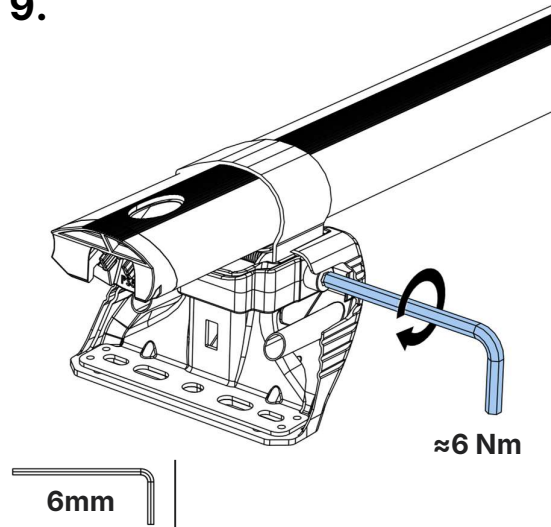
7.



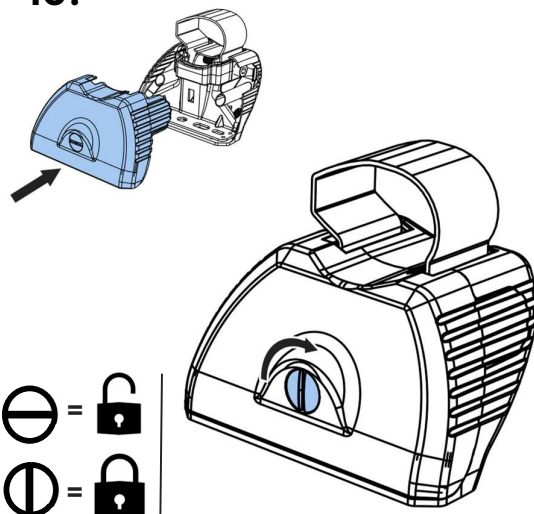
8.



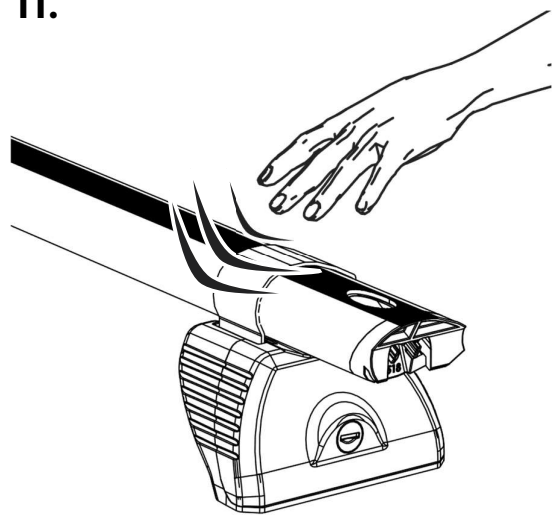
9.

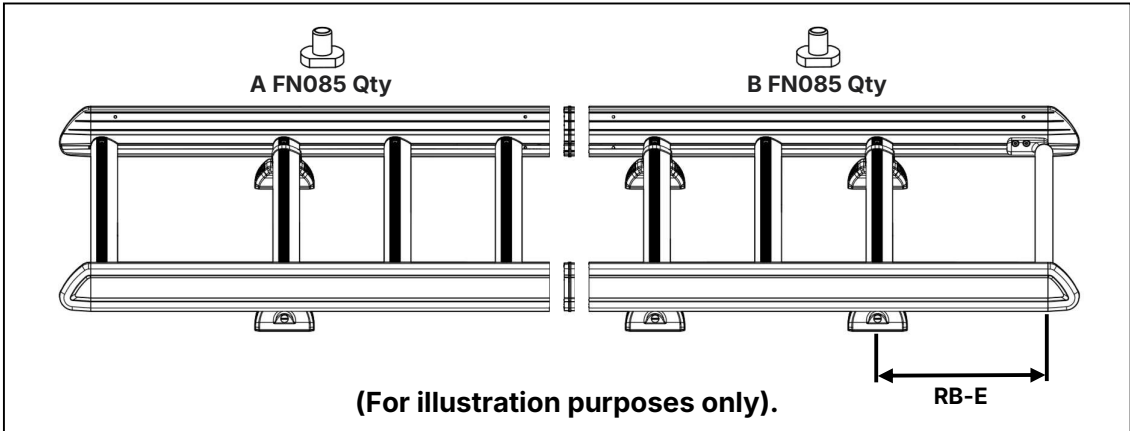



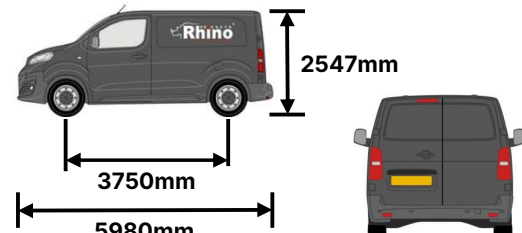
10.

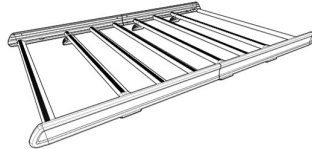
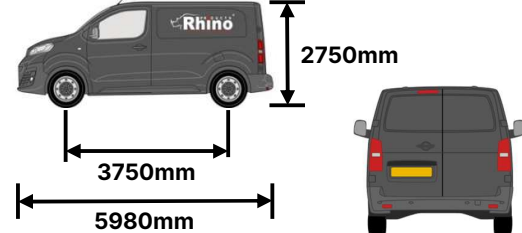


11.



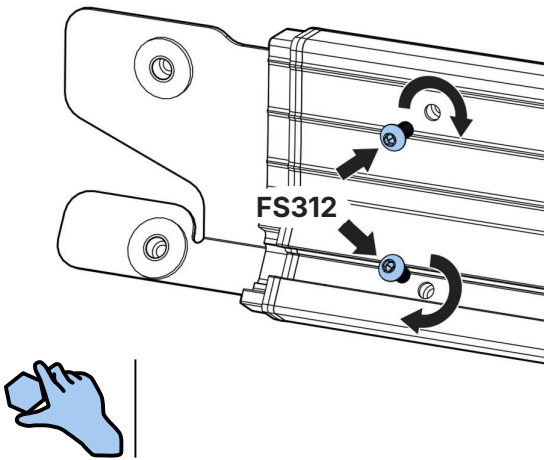


<b>L626/LB626- Transit 2014-, L3-H2 (Twin)</b>		
<p>Max Load = 150kg/330lbs</p>  <p>L626/LB626 = 28kg/62lbs</p>		
<b>A FN085 Qty</b>	<b>B FN085 Qty</b>	<b>Rear Bar – End (mm)</b>
4	6	490

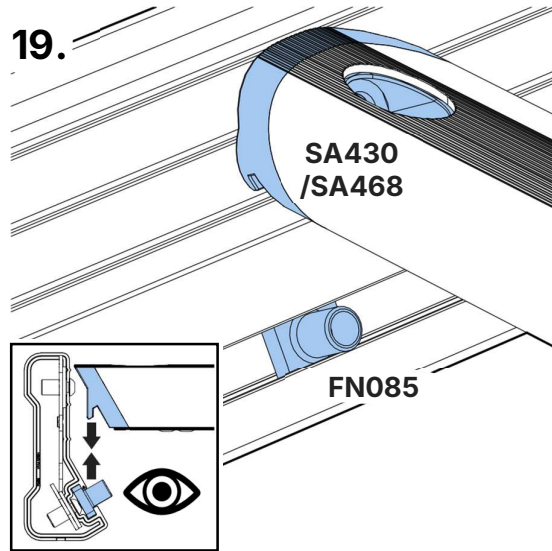
<b>L626/LB626- Transit 2014-, L3-H3 (Twin)</b>		
<p>Max Load = 150kg/330lbs</p>  <p>L626/LB626 = 28kg/62lbs</p>		
<b>A FN085 Qty</b>	<b>B FN085 Qty</b>	<b>Rear Bar – End (mm)</b>
4	6	590



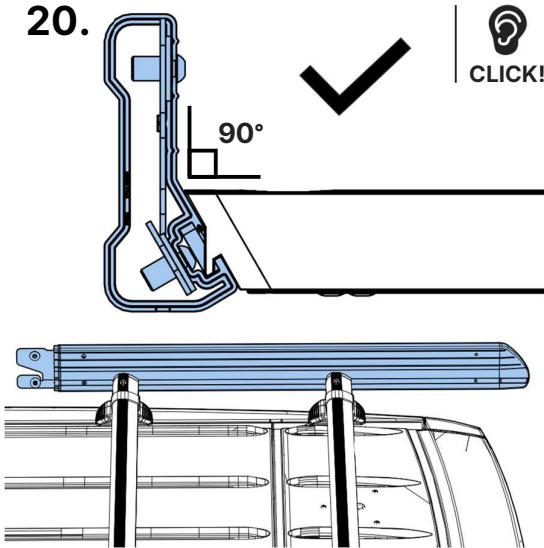
18.



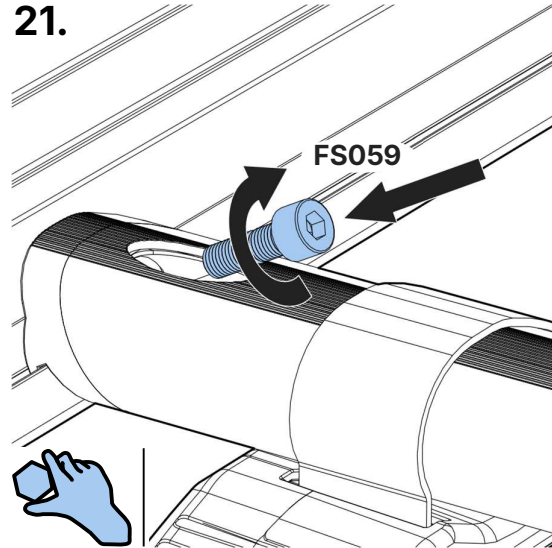
19.



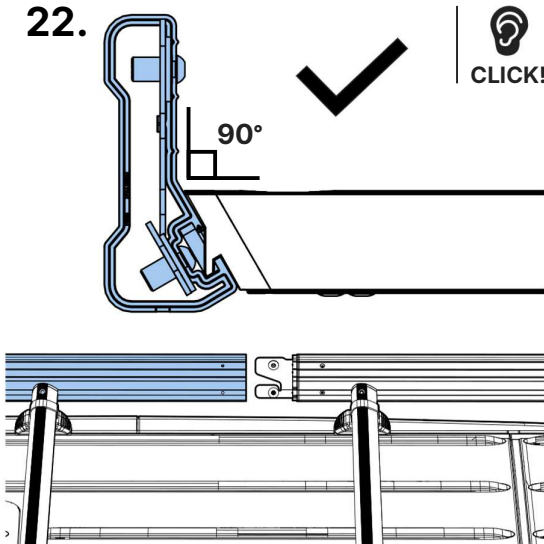
20.



21.



22.



23.

