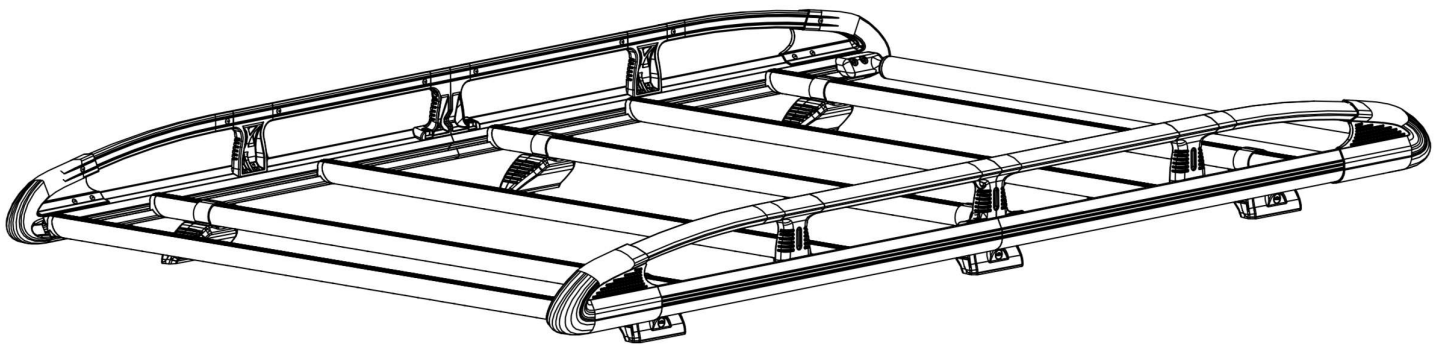


# TC4KR

# KammRack

## Instructions

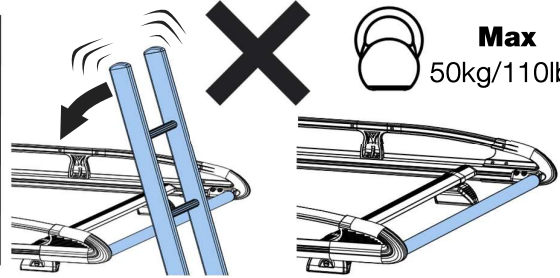
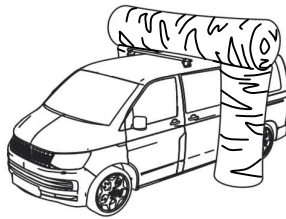
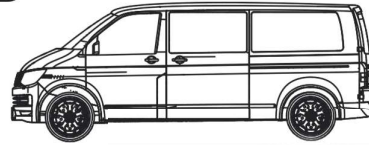


**CITY CRASH** (✓)

According to ISO/ PAS 11154:2006

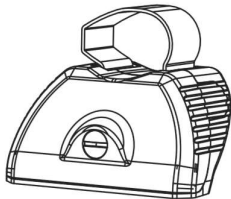
**TC4KR:**

**Ford** Transit 2014-

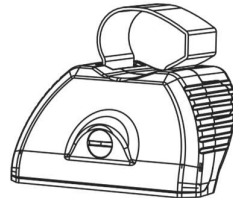


**Max**  
50kg/110lbs

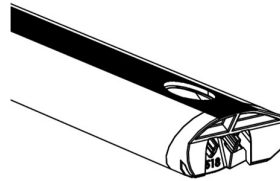
**KammRack**



**SA397U x 4**



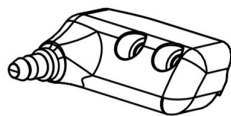
**SA398U x 4**



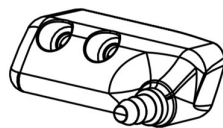
**SA430**



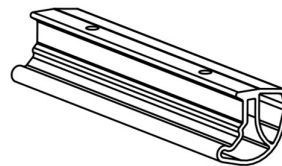
**C04 x 8**  
\*optional upgrade\*



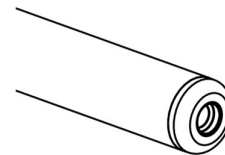
**PS519 x 1**



**PS520 x 1**



**EXT15-02**

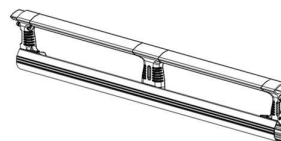
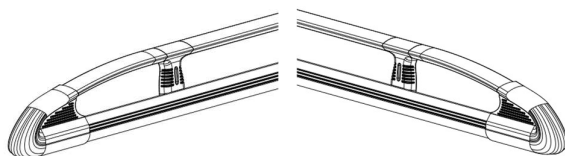


**SA438 x 1**

**LHS x 2**

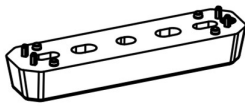
**RHS x 2**

**Centre x 2**

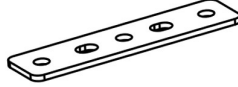


**ASF x 1**

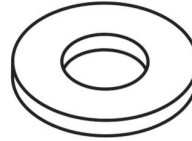
## Fitting Kit



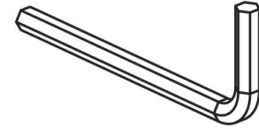
PS183 x 8



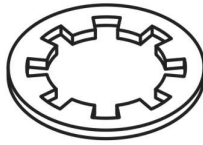
PS023 x 8



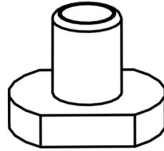
FW002 (M8) x 8



FT01 x 1



FW009 (M8) x 8



FN085 x 20



FS018   
(M8 x 25) x 20

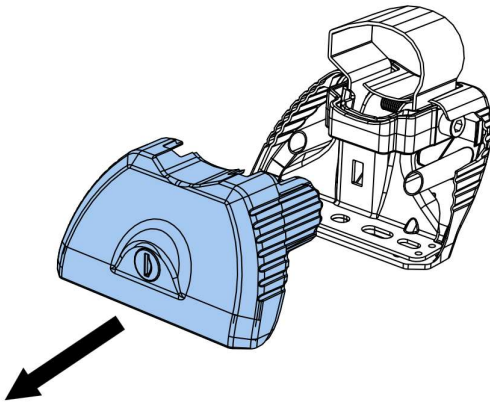


FS081   
(M8 x 50) x 8

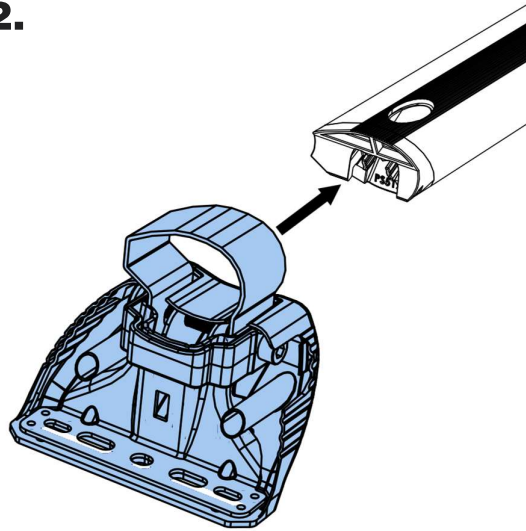


FT05 x 1

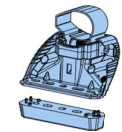
1.



2.



3.



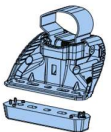
SA397U  
PS183



SA397U  
PS183

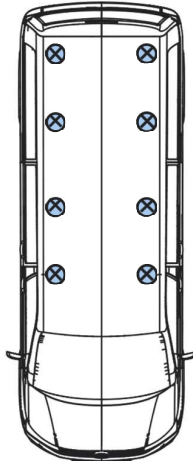


SA397U  
PS183



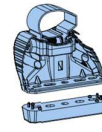
SA397U  
PS183

R



F

SA398U  
PS183



SA398U  
PS183



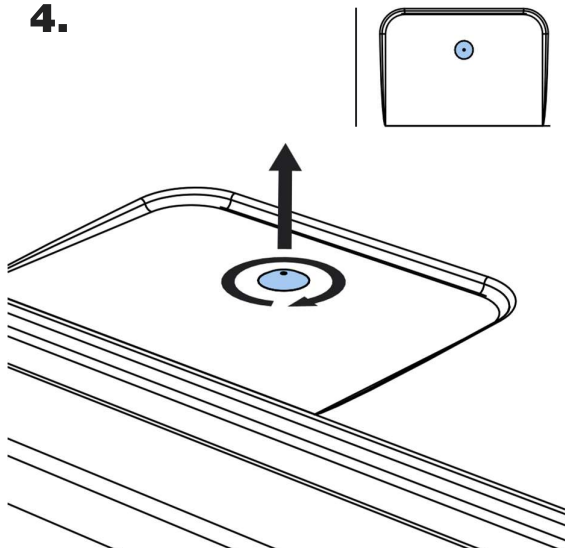
SA398U  
PS183



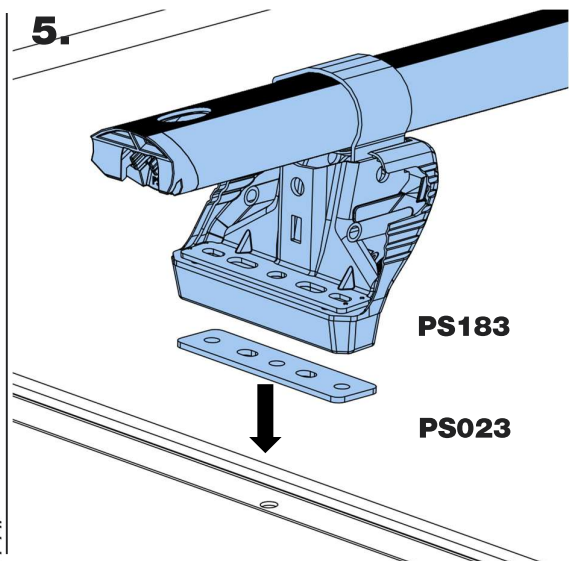
SA398U  
PS183



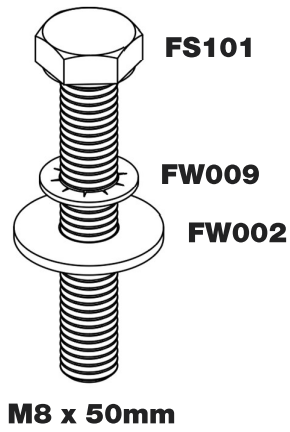
4.



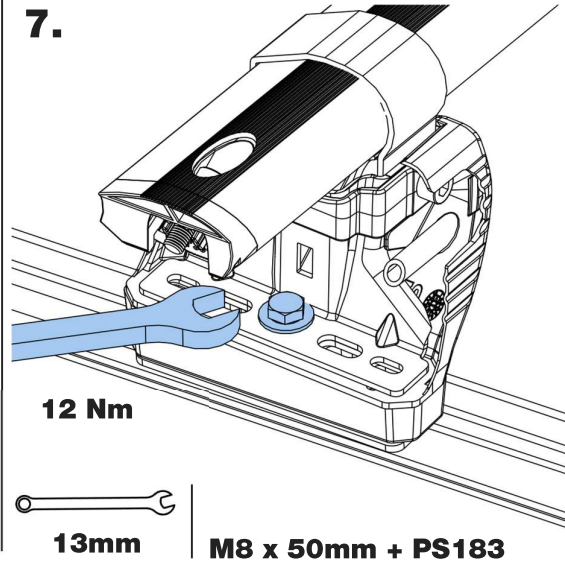
5.



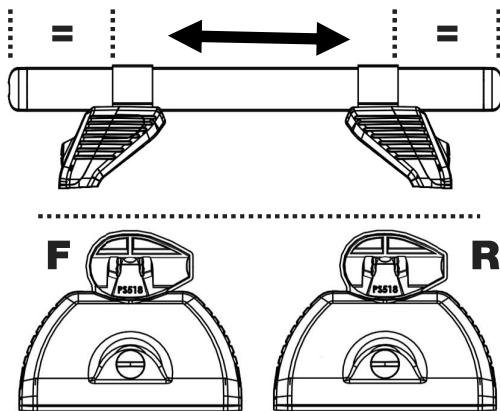
6.



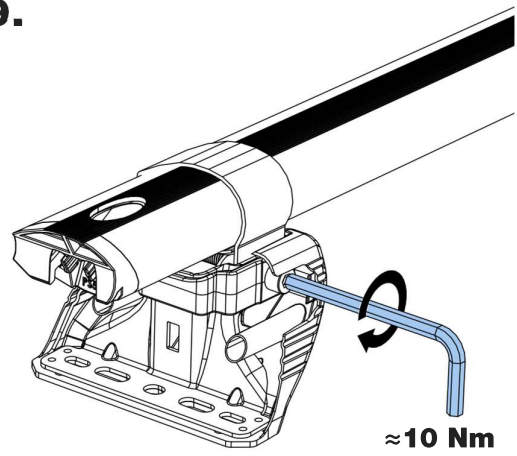
7.



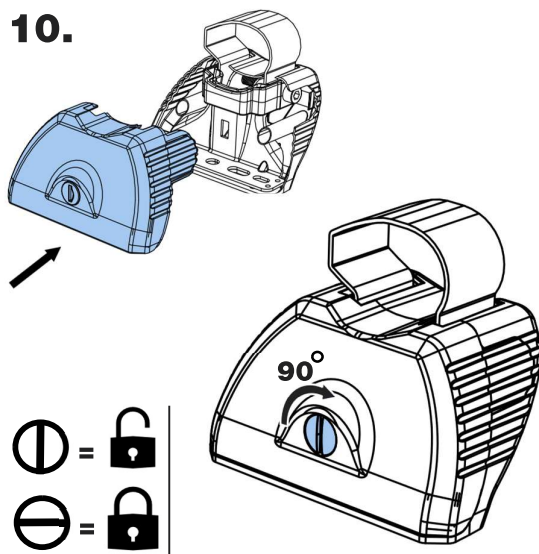
8.



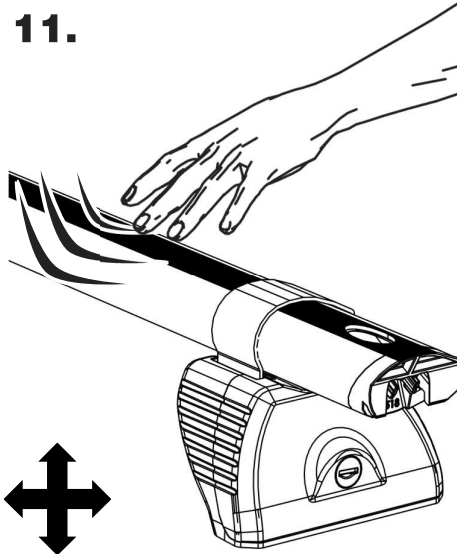
9.



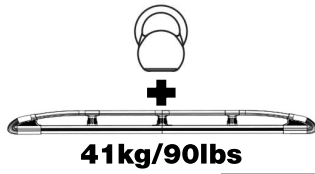
10.



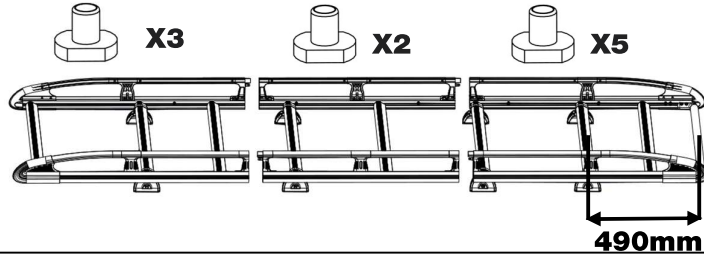
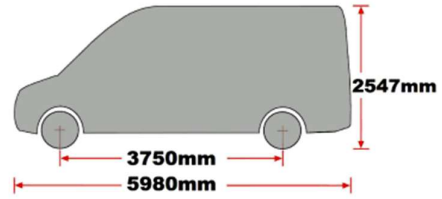
11.



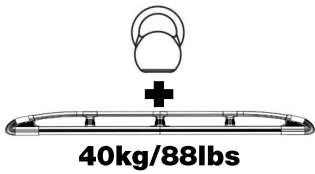
## K626- Transit 2014- L3, H2, Twin Doors



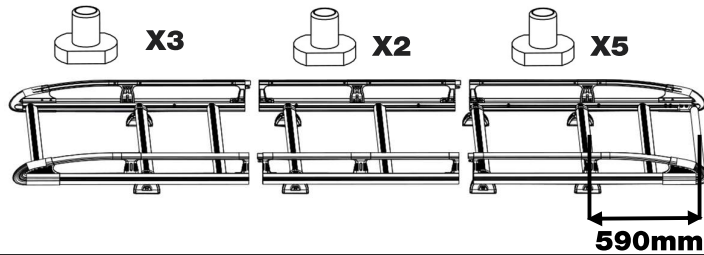
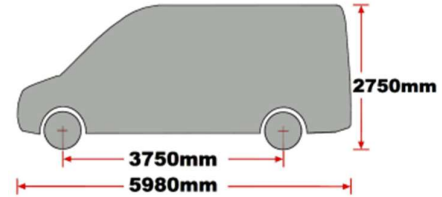
150kg  
Max



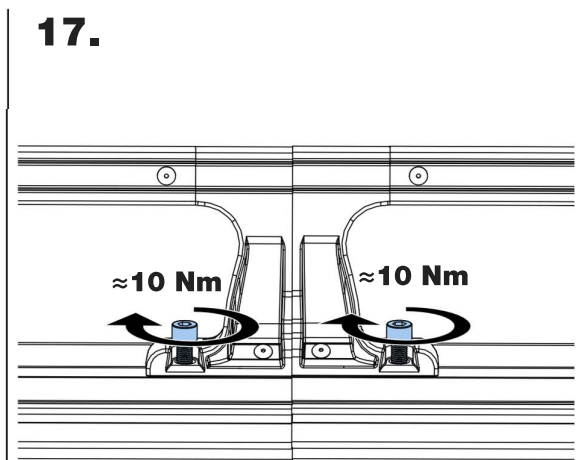
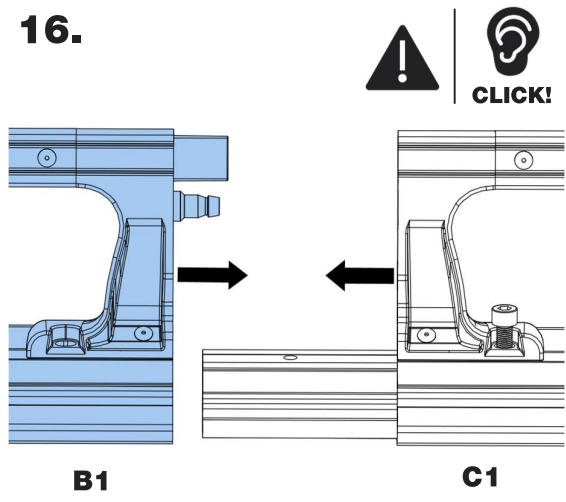
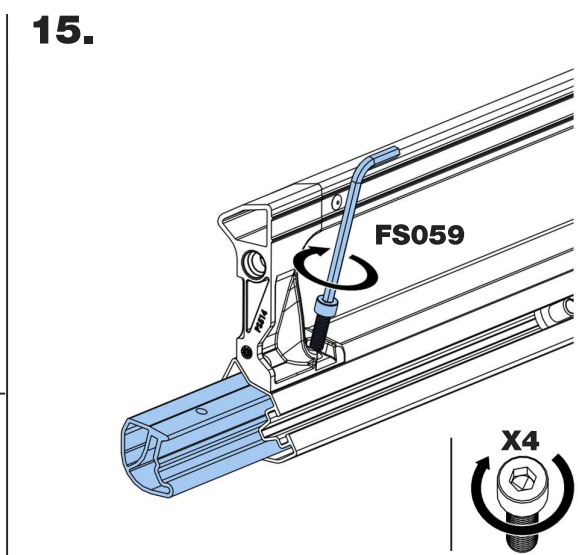
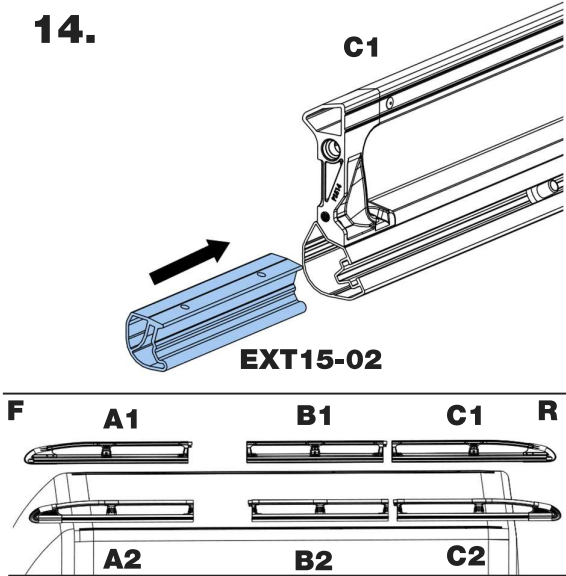
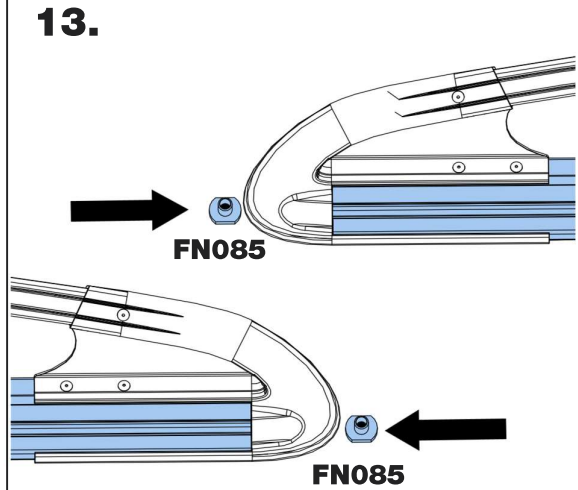
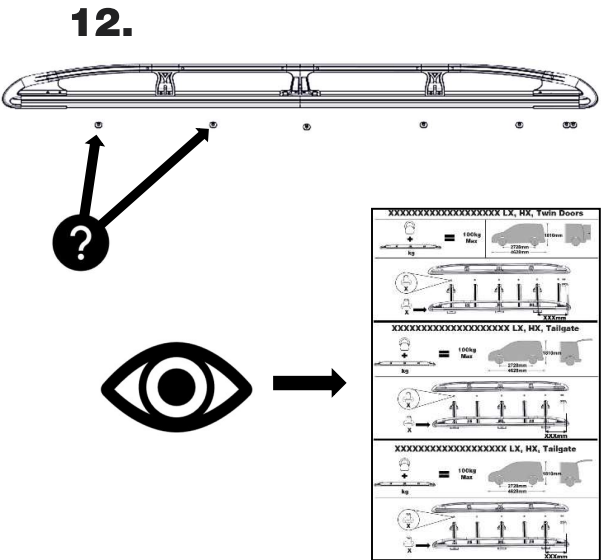
## K626- Transit 2014- L3, H3, Twin Doors



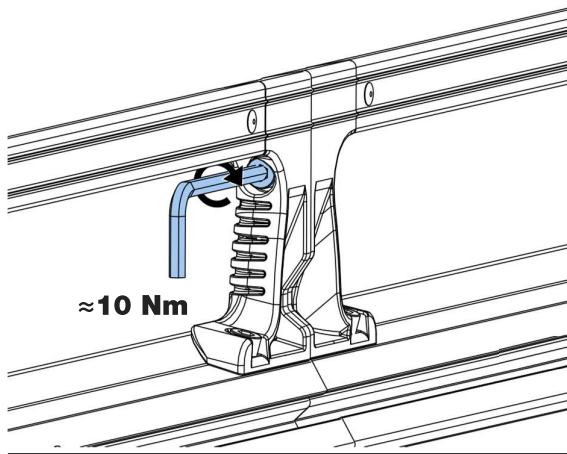
150kg  
Max



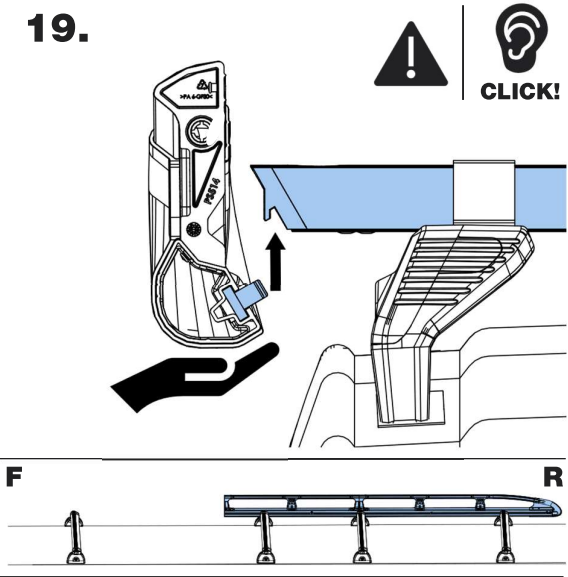




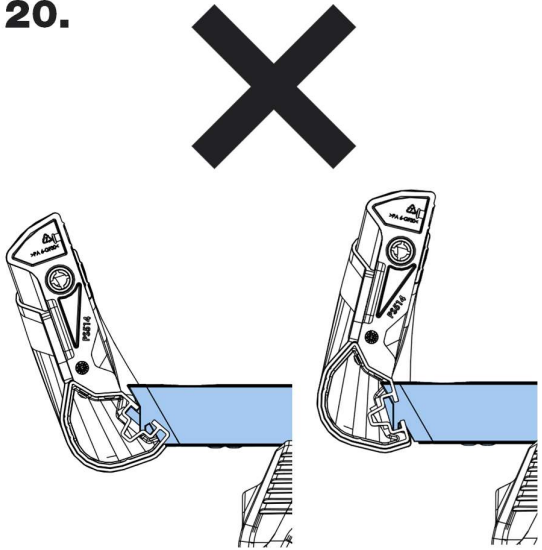
18.



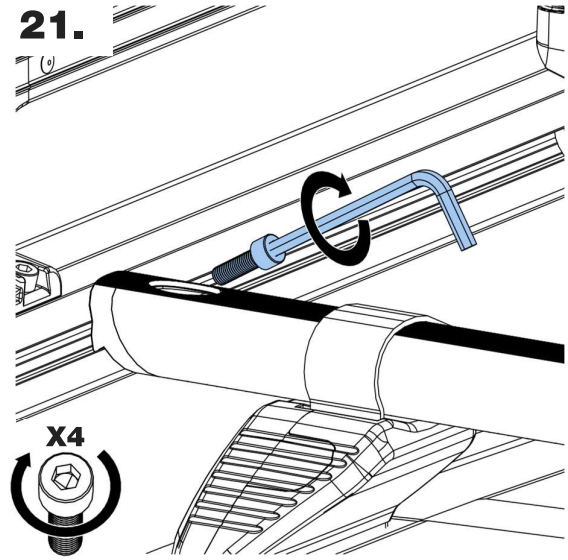
19.



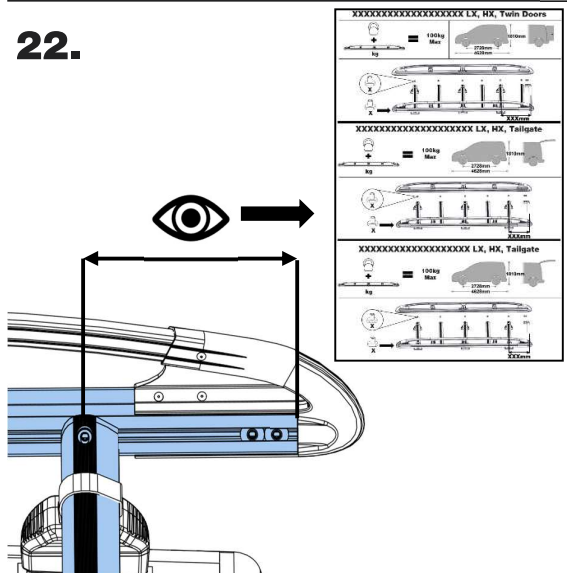
20.



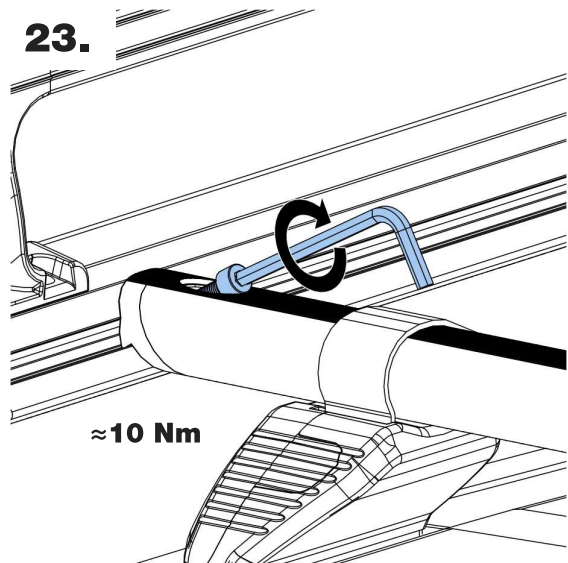
21.



22.

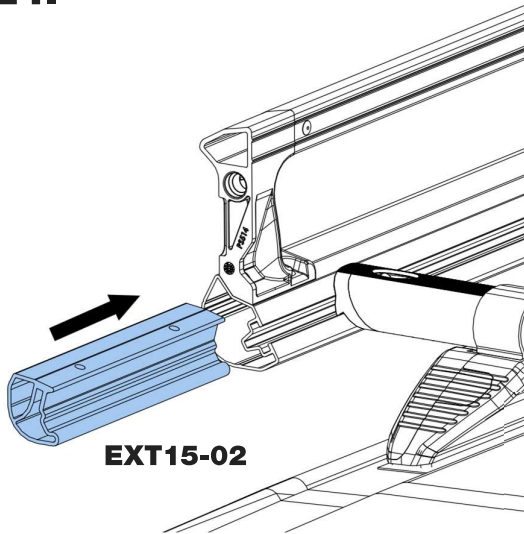


23.

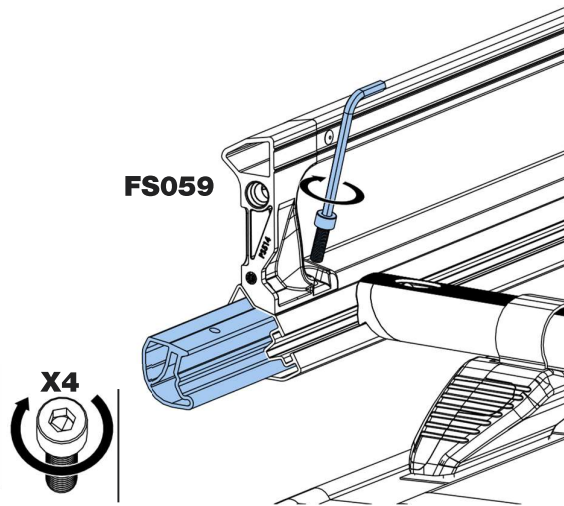




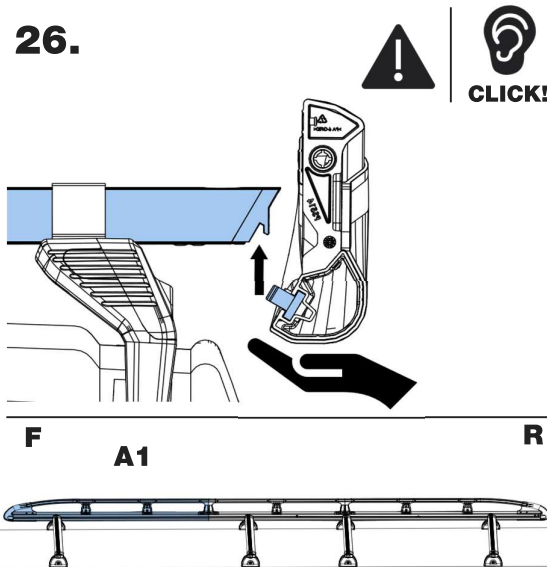
24.



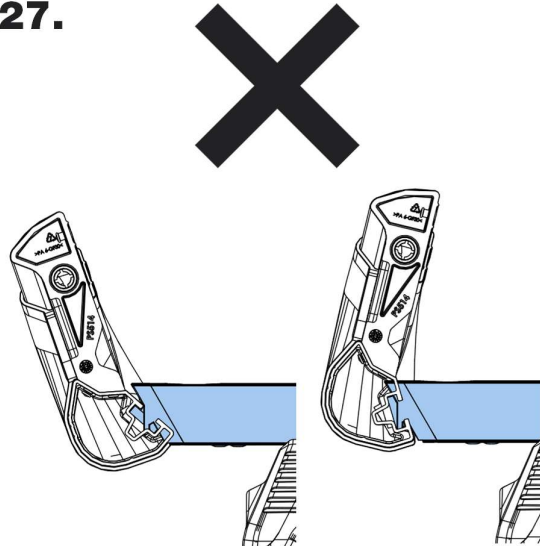
25.



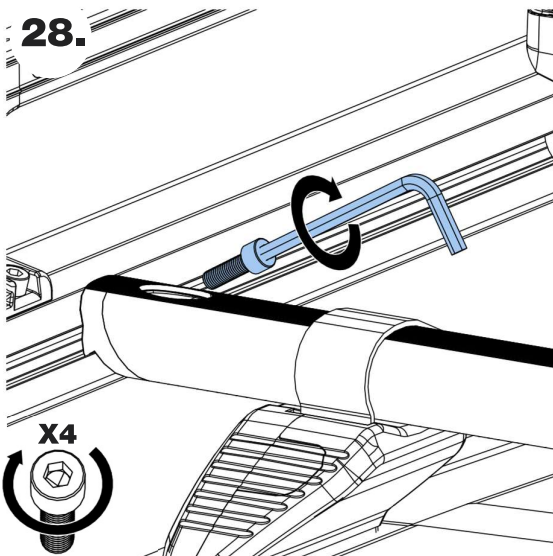
26.



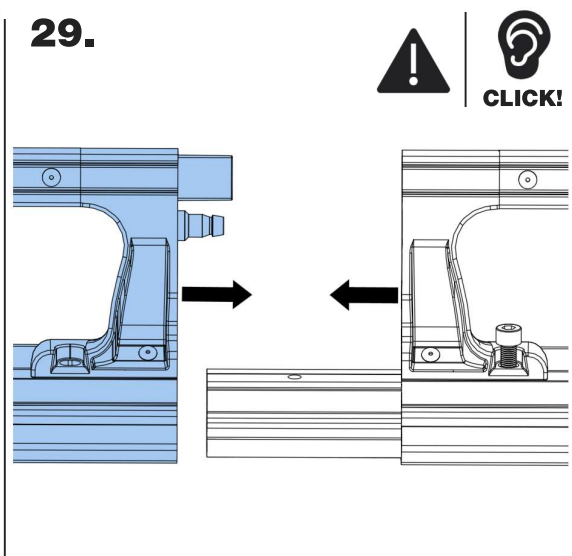
27.



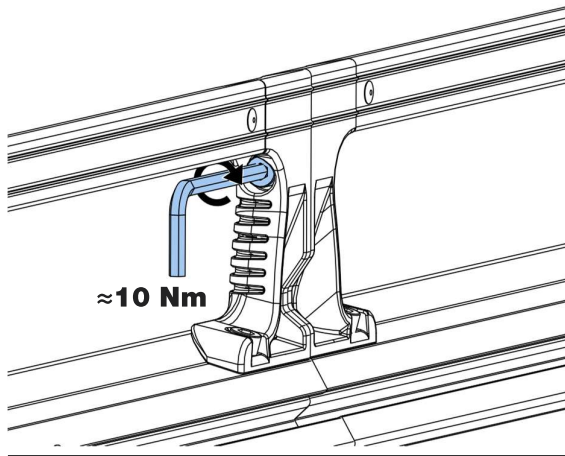
28.



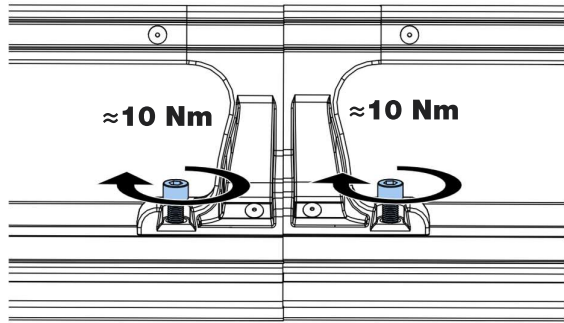
29.



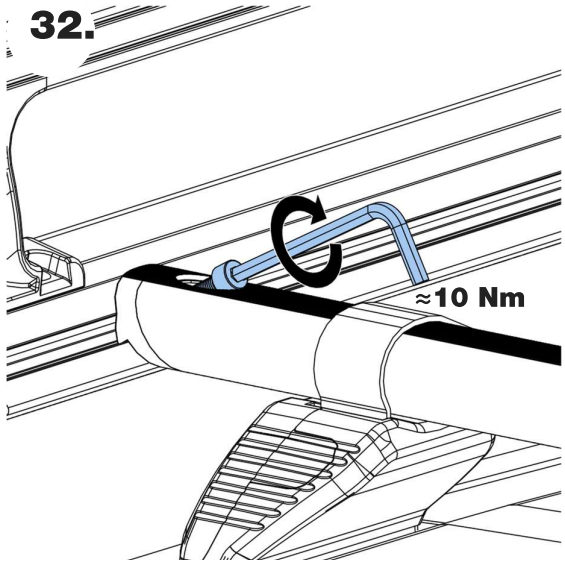
30.



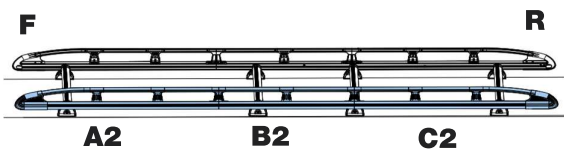
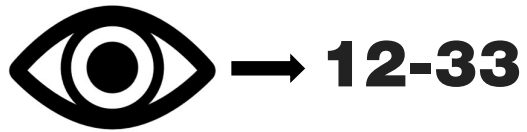
31.



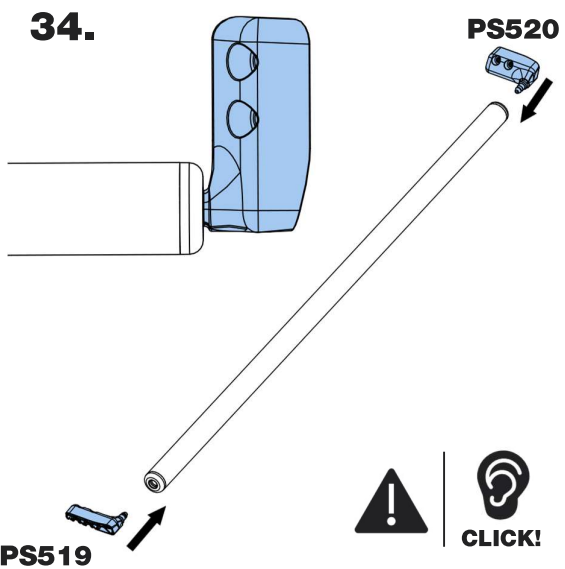
32.



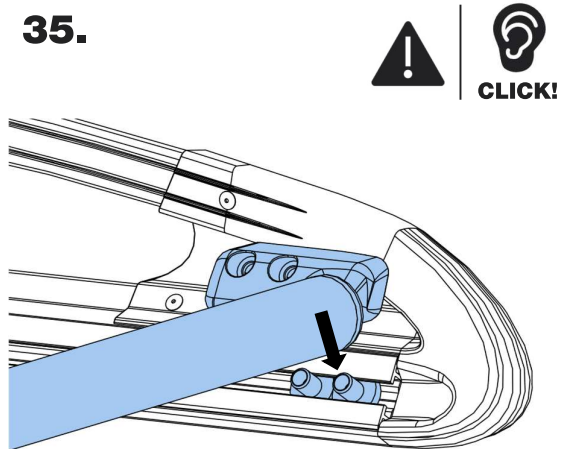
33.



34.



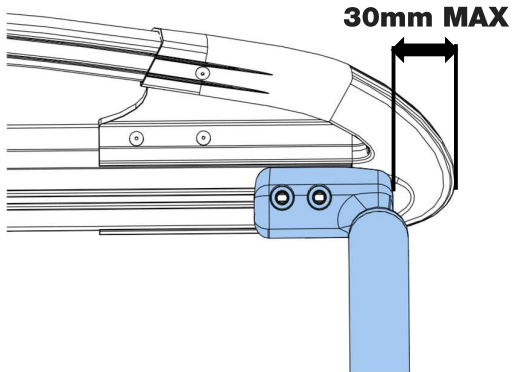
35.



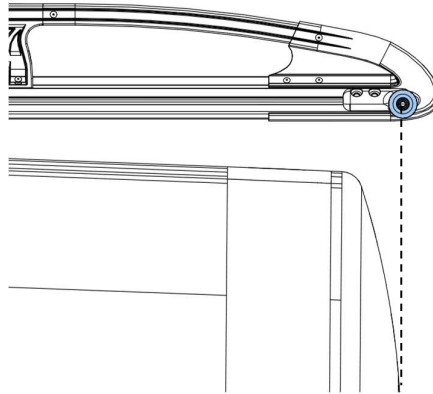
PS519

PS520

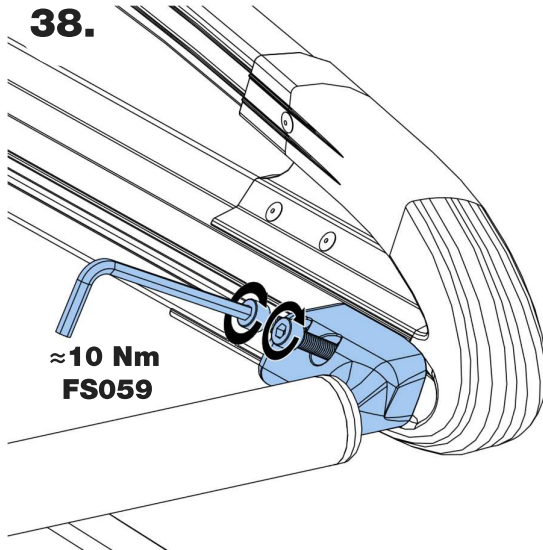
36.



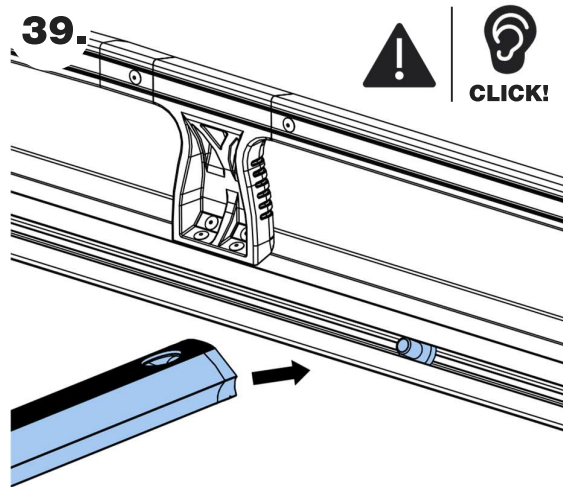
37.



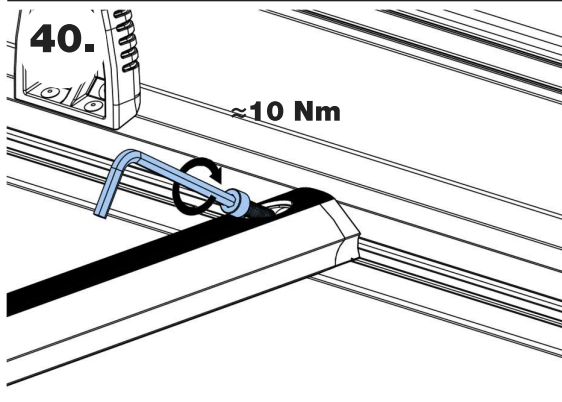
38.



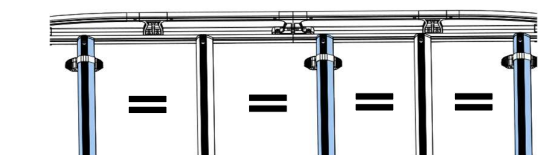
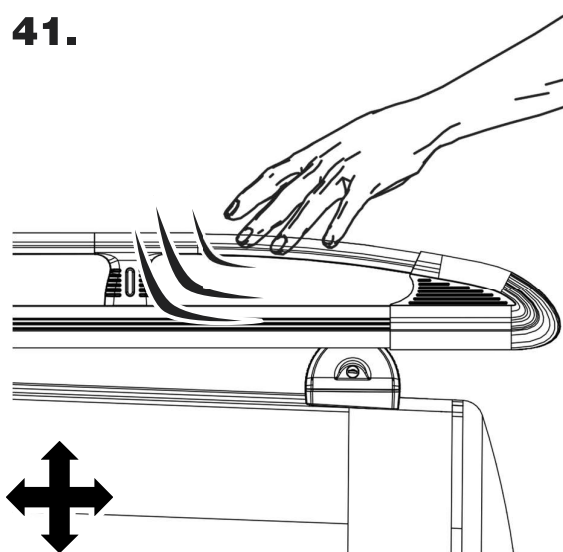
39.



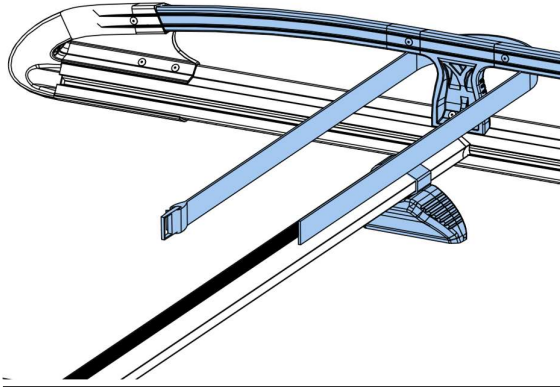
40.



41.



42.



43.

