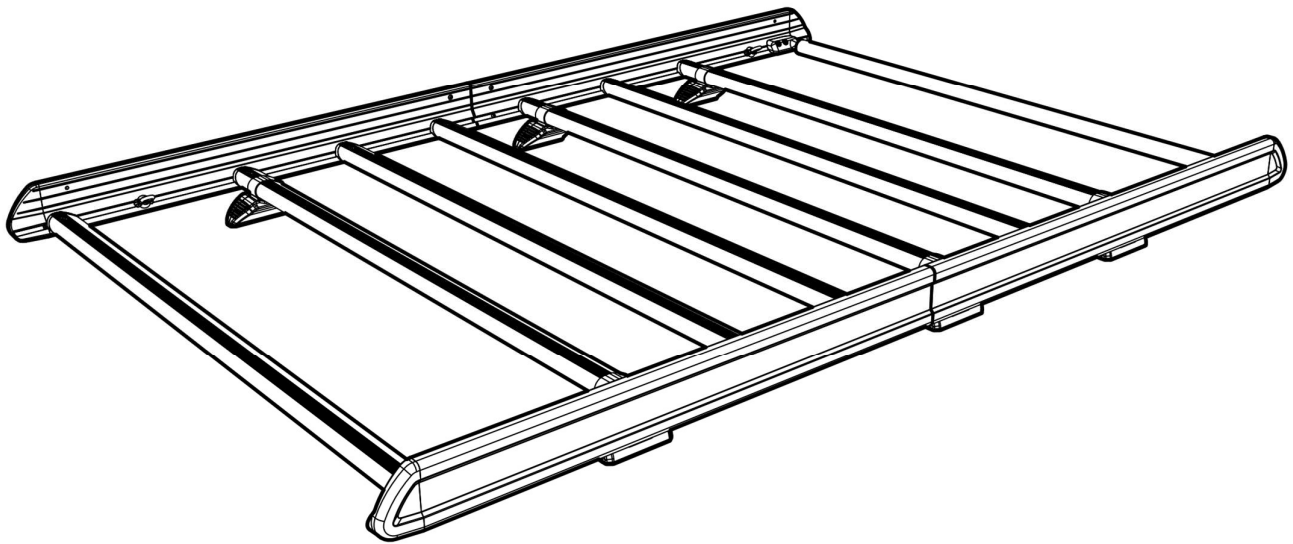


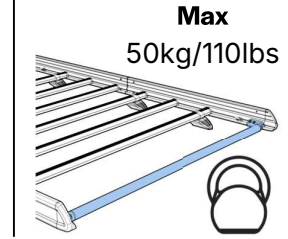
Issue:	Drawn By:	Checked By:	CRF No.:	Date:	Description:
a	SJ	KB	3609	21/10/25	First Issue
b					
c					
d					

TC5KE

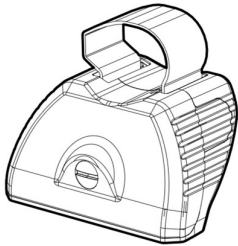
KammEdge.

Instructions

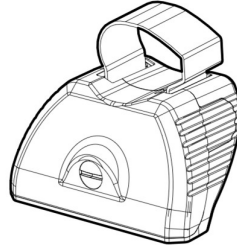




KammEdge.



SA397U x 5



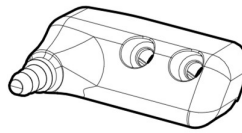
SA398U x 5



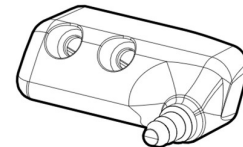
SA430/SA468 x 8



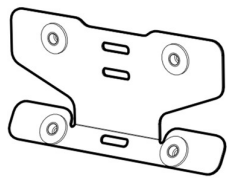
SA438 x 1



PS519 x 1



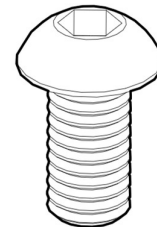
PS520 x 1



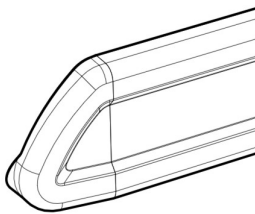
SA610 x 4



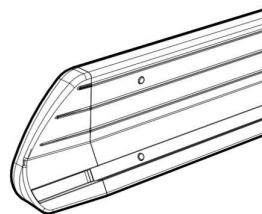
PS635 x 4



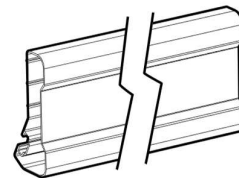
**FS323
(M6 x 16) x 16**



LSF (L) x 2



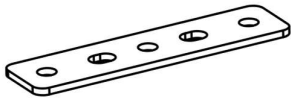
LSF (R) x 2



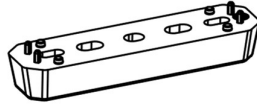
LSF (M) x 2



Fitting Kit



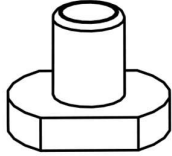
PS023 x 10



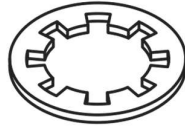
PS183 x 10



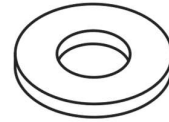
**FS059
(M8 x 25) x 20**



FN085 x 20



FW009 (M8) x 10



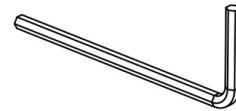
FW002 (M8) x 10



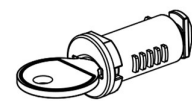
**FS081
(M8 x 50) x 10**



FT01 x 1



FT05 x 1

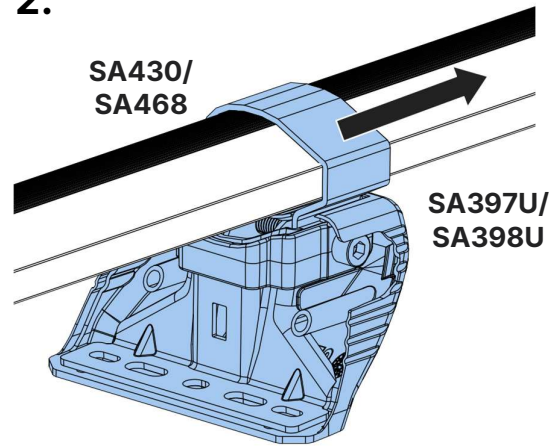


C04 x 10
optional upgrade

1.



2.



3.



SA397U
PS183



SA397U
PS183



SA397U
PS183

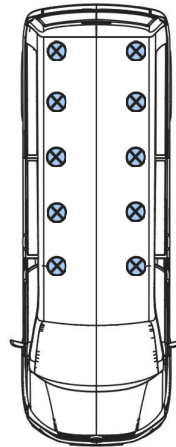


SA397U
PS183



SA397U
PS183

R



F

SA397U
PS183



SA397U
PS183



SA397U
PS183



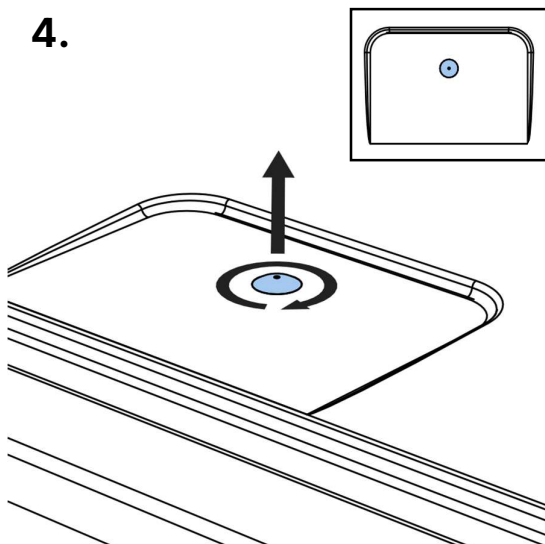
SA397U
PS183



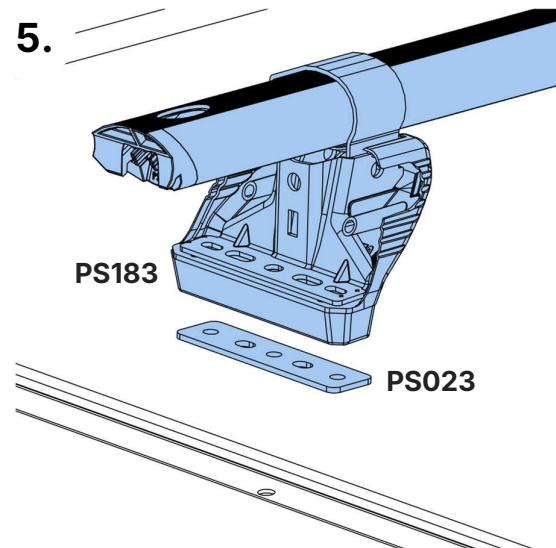
SA397U
PS183



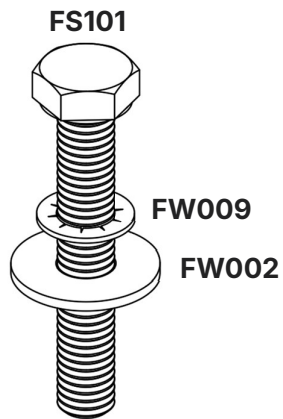
4.



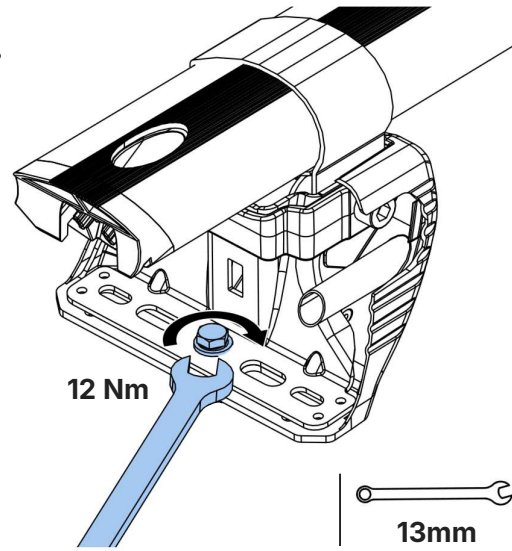
5.



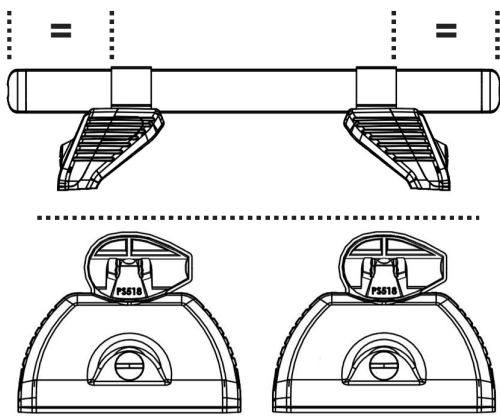
6.



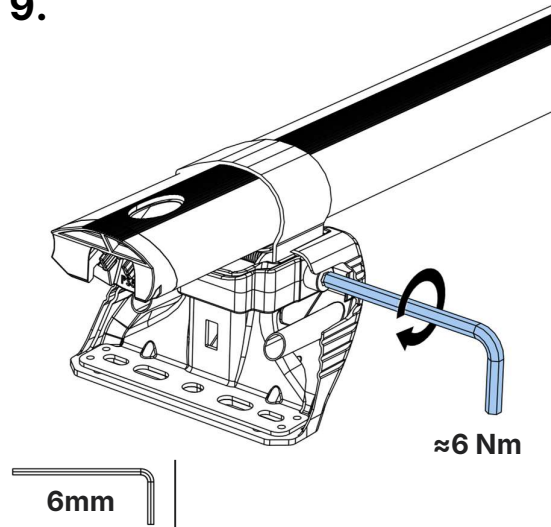
7.



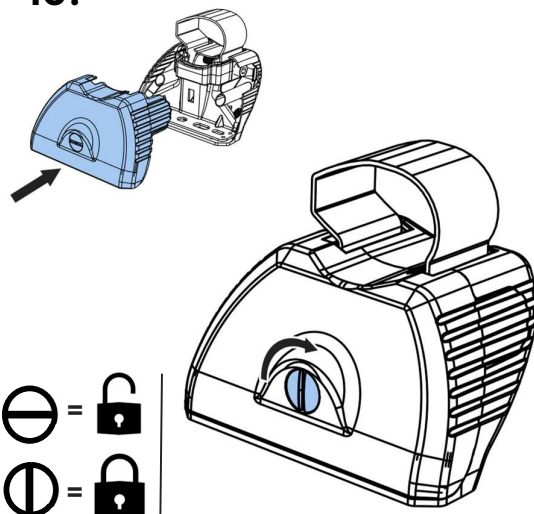
8.



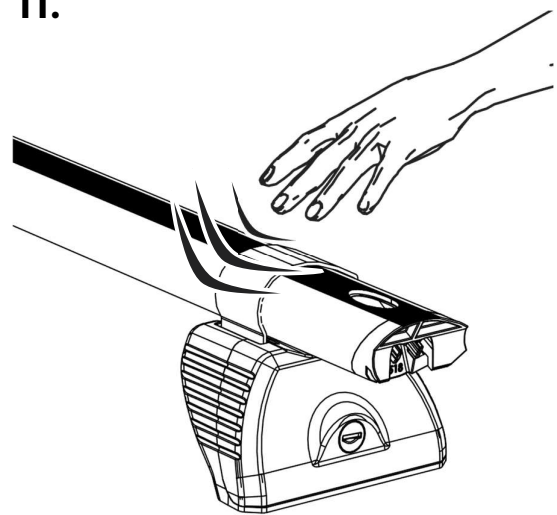
9.

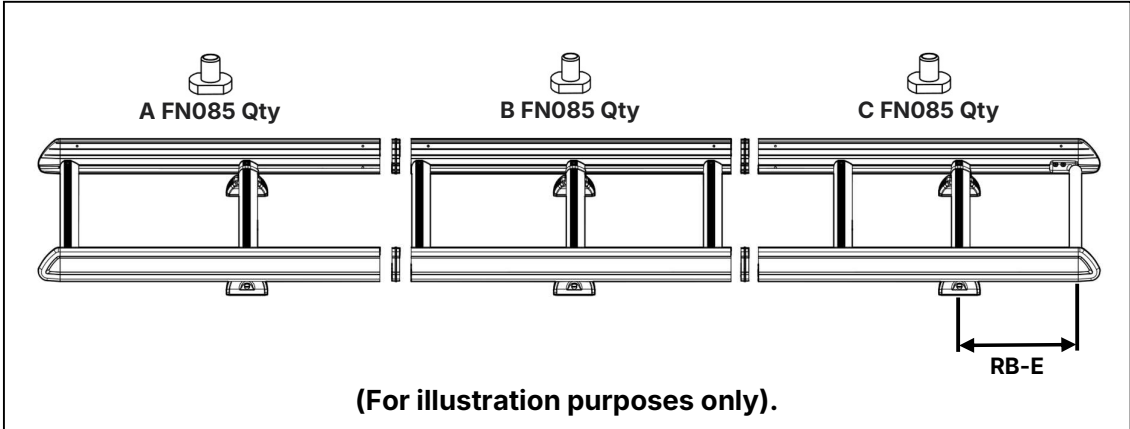


10.


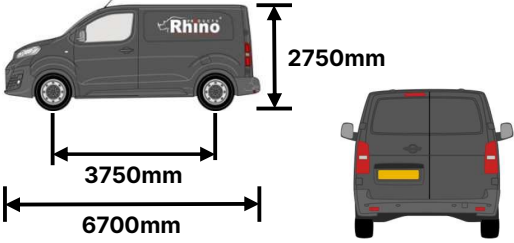


11.

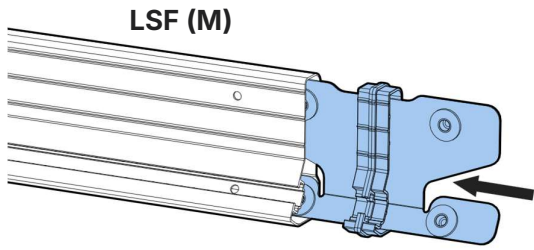




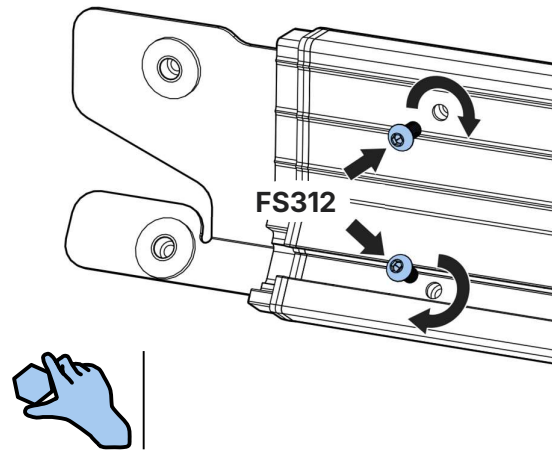
L628/LB628- Transit 2014-, L4-H3 (Twin)

<p>Max Load = 150kg/330lbs</p>  <p>L628/LB628 = 34kg/74lbs</p>			
A FN085 Qty	B FN085 Qty	C FN085 Qty	Rear Bar – End (mm)
4	1	5	815

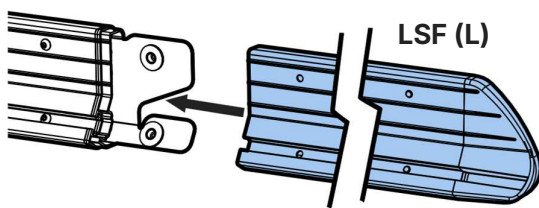
18.



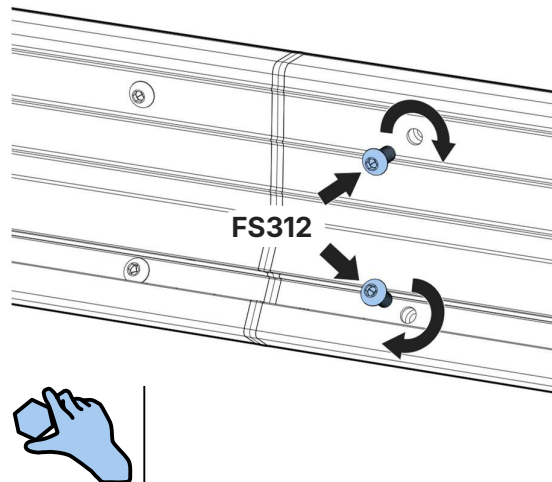
19.



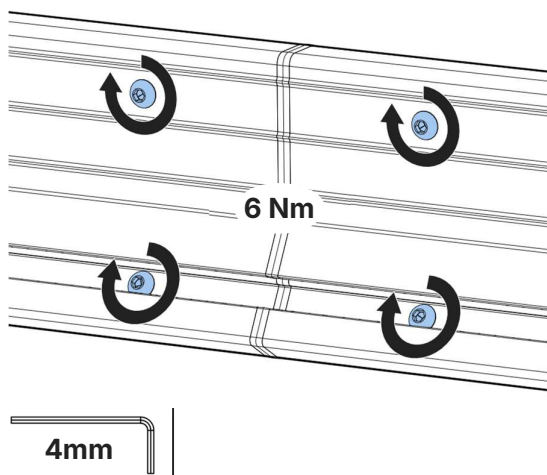
20.



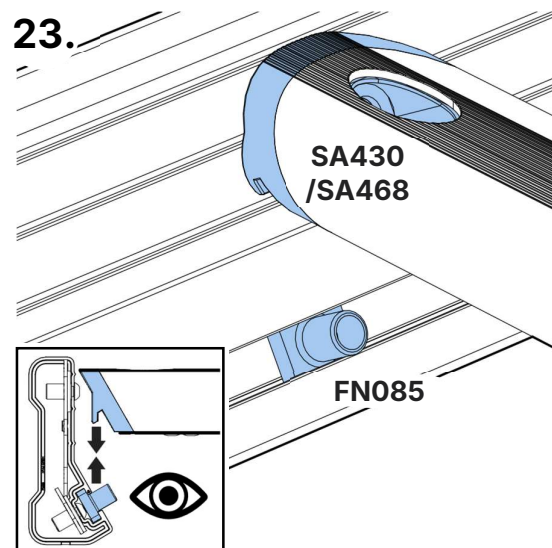
21.

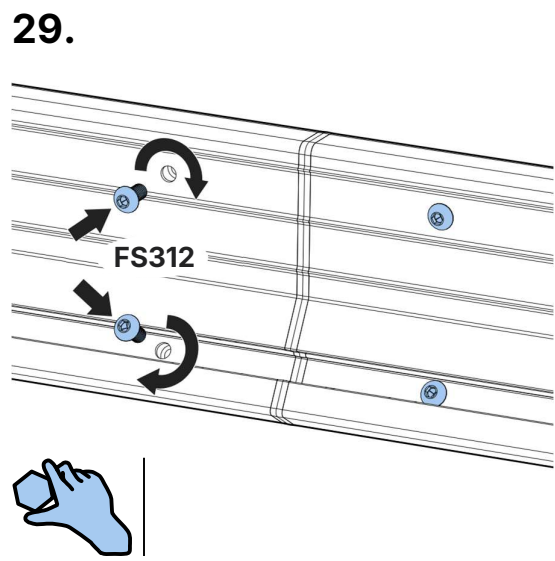
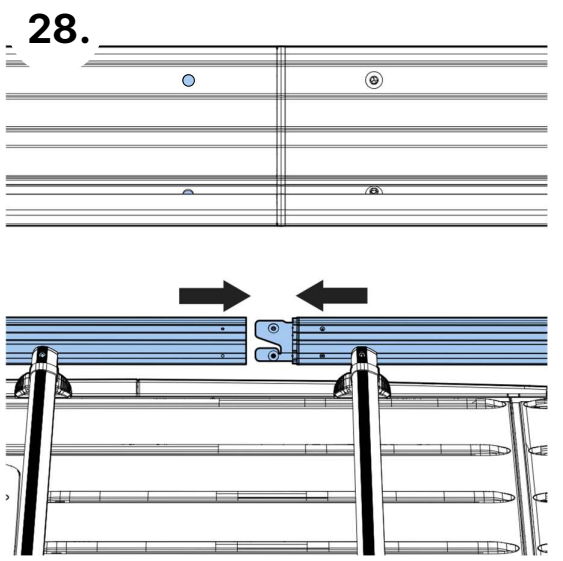
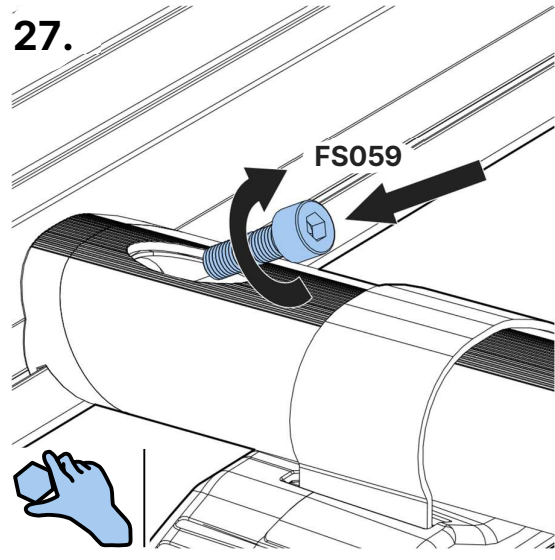
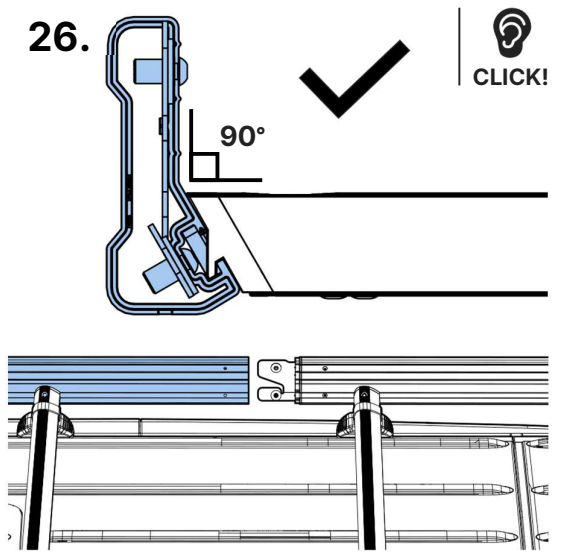
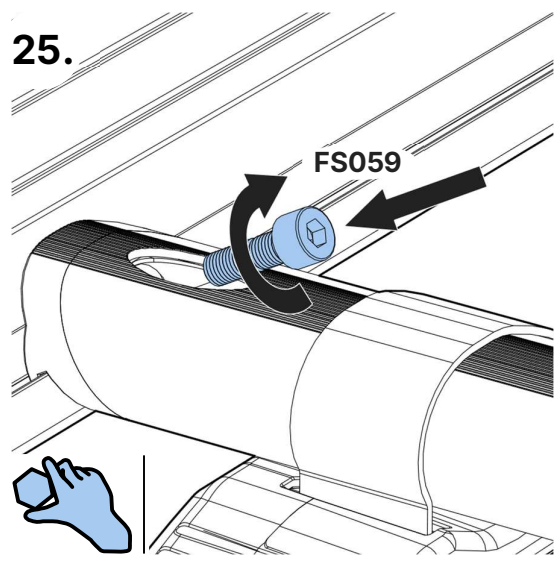
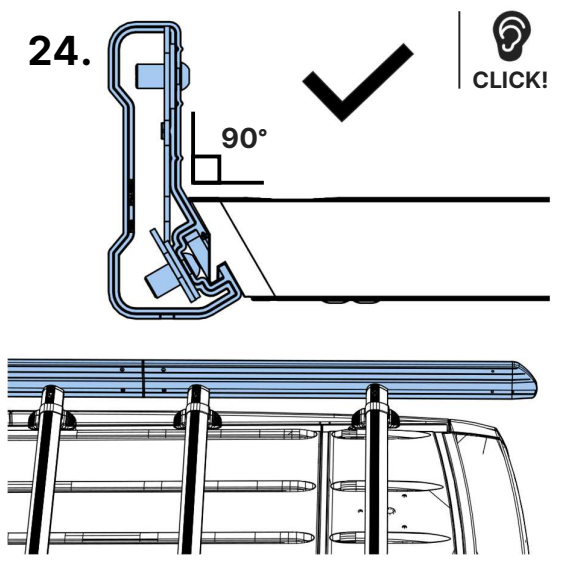


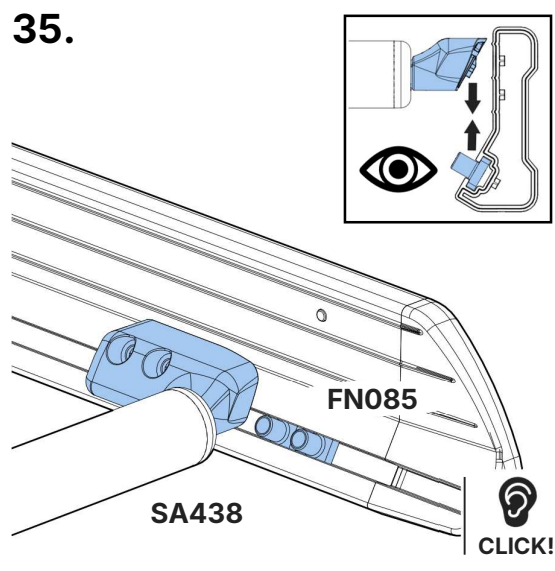
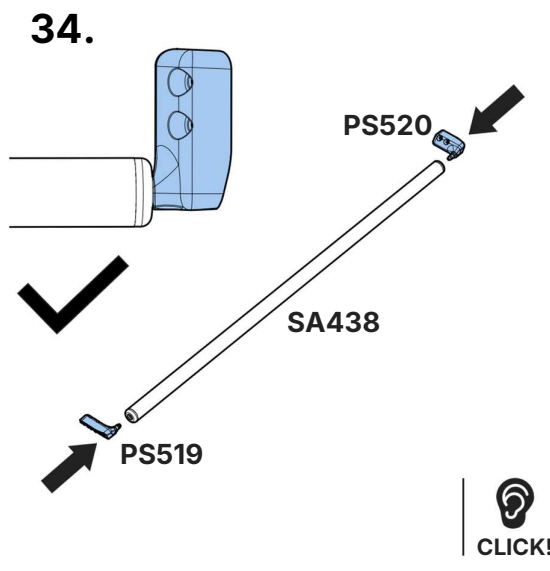
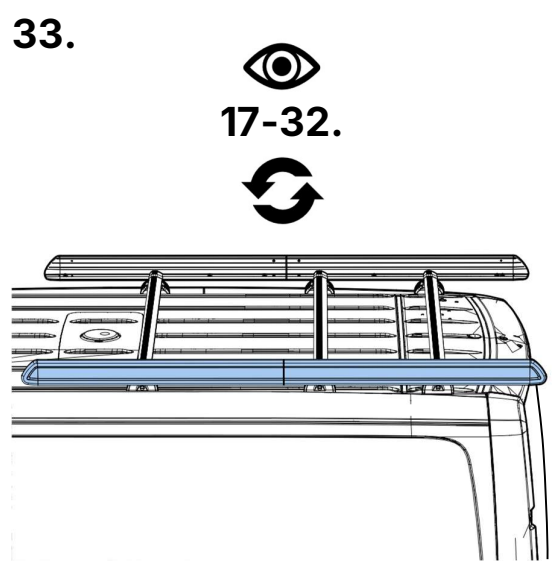
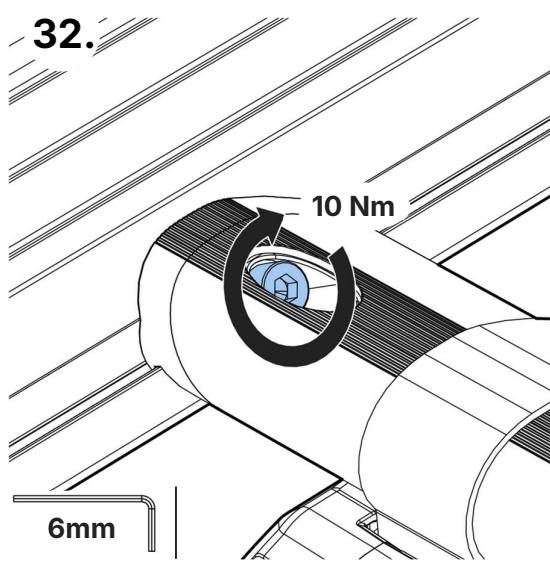
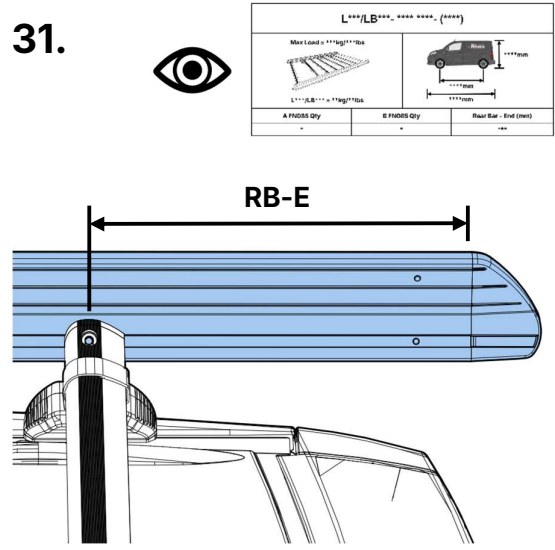
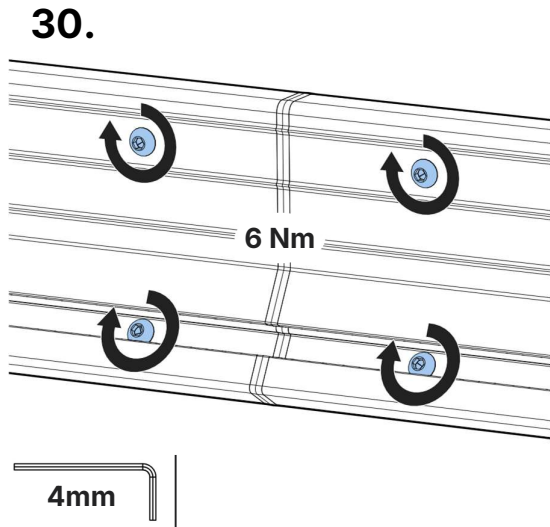
22.



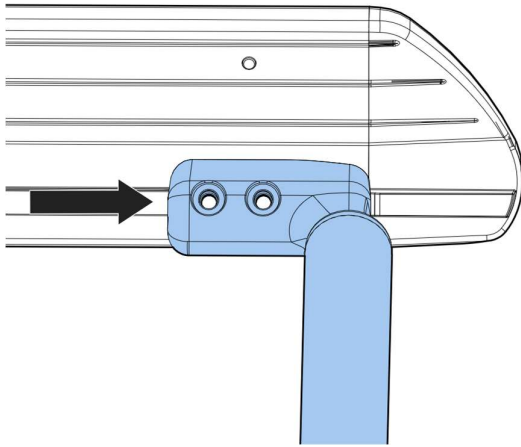
23.



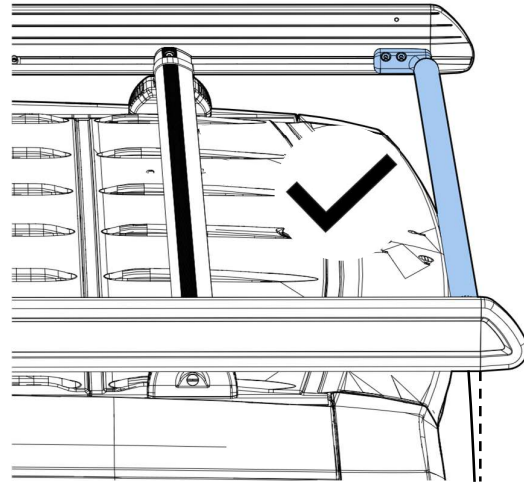




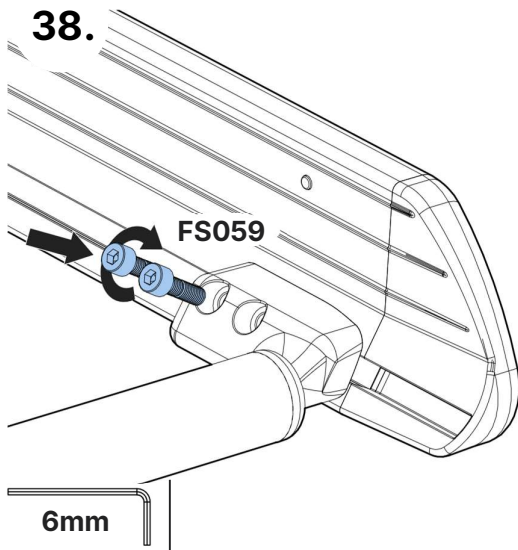
36.



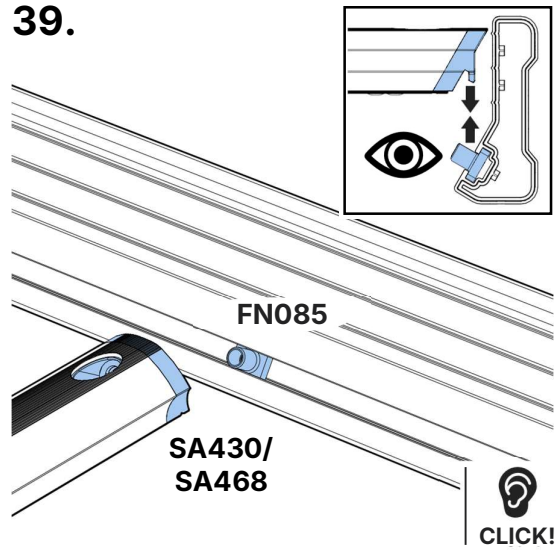
37.



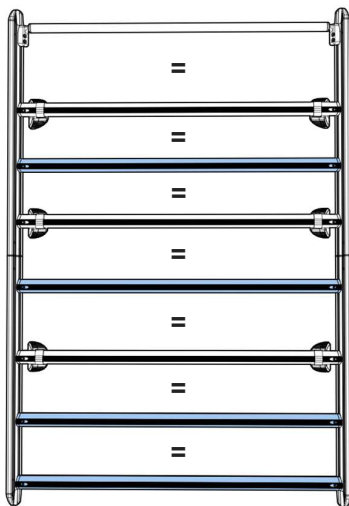
38.



39.



40.



41.

