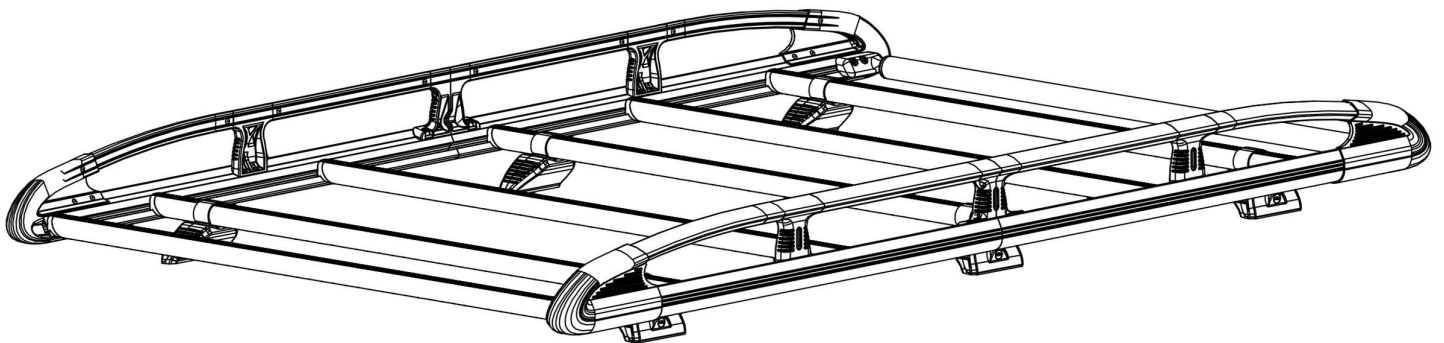


TC5KR

KammRack

Instructions

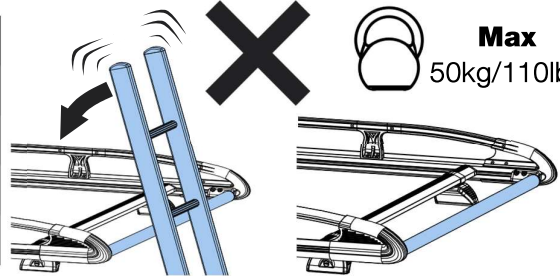
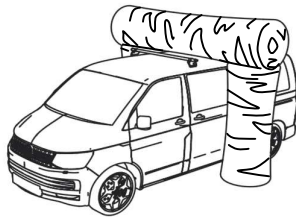
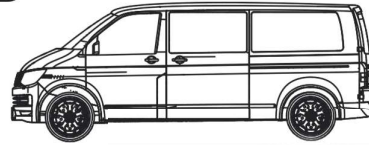


CITY CRASH (✓)

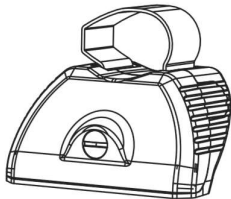
According to ISO/ PAS 11154:2006

TC5KR:

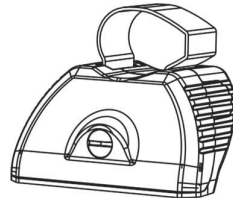
Ford Transit 2014-



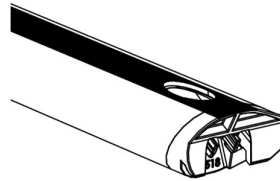
KammRack



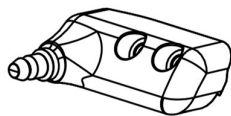
SA397U x 5



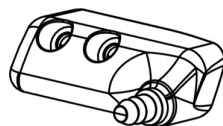
SA398U x 5



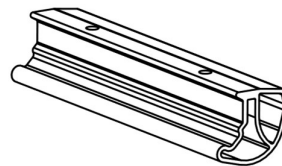
SA430



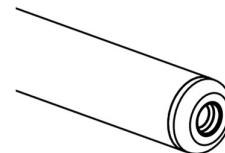
PS519 x 1



PS520 x 1



EXT15-02

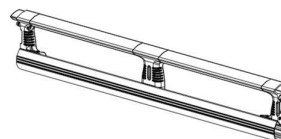
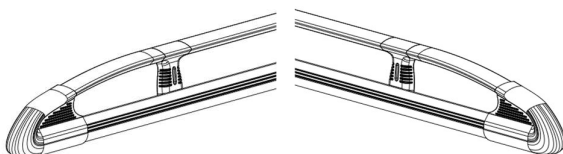


SA438 x 1

LHS x 2

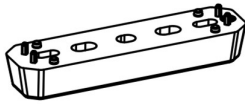
RHS x 2

Centre x 2

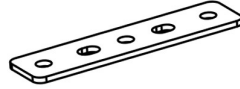


ASF x 1

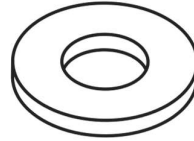
Fitting Kit



PS183 x 10



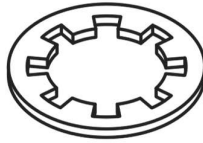
PS023 x 10



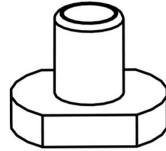
FW002 (M8) x 10



FT01 x 1



FW009 (M8) x 10



FN085 x 20



FS018
(M8 x 25) x 20

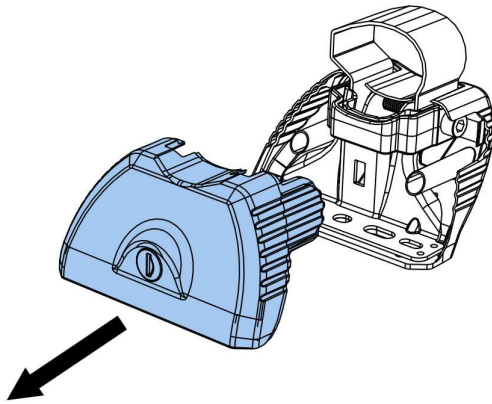


FS081
(M8 x 50) x 10

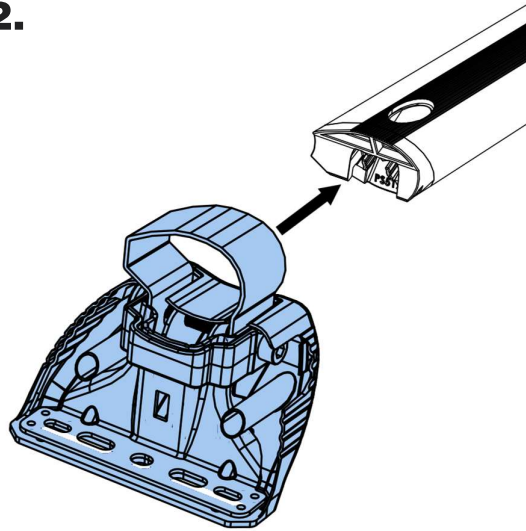


FT05 x 1

1.



2.



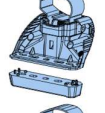
3.



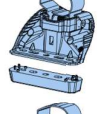
SA397U
PS183



SA397U
PS183



SA397U
PS183

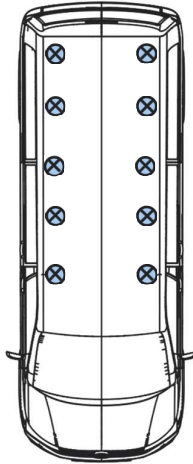


SA397U
PS183



SA397U
PS183

R



F

SA398U



PS183

SA398U



PS183

SA398U



PS183

SA398U



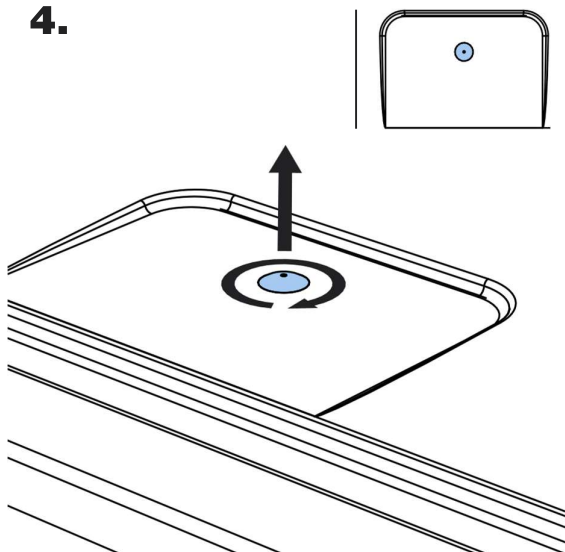
PS183

SA398U

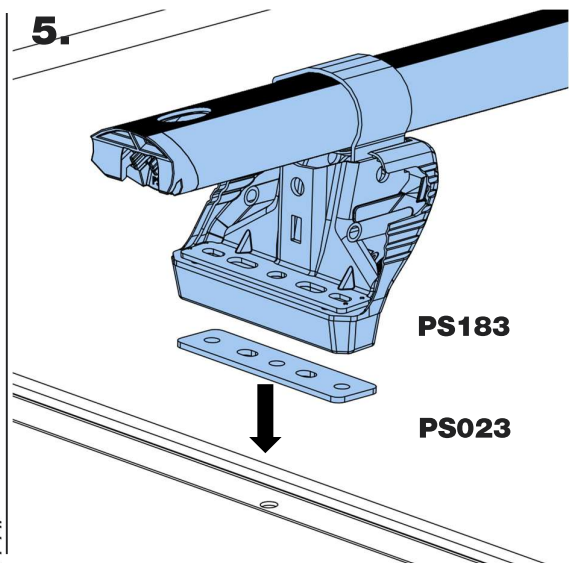


PS183

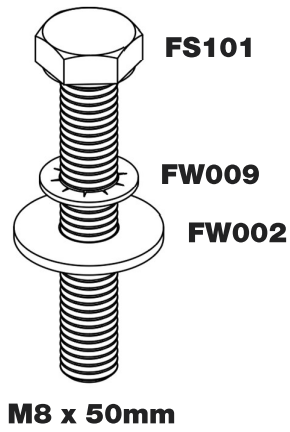
4.



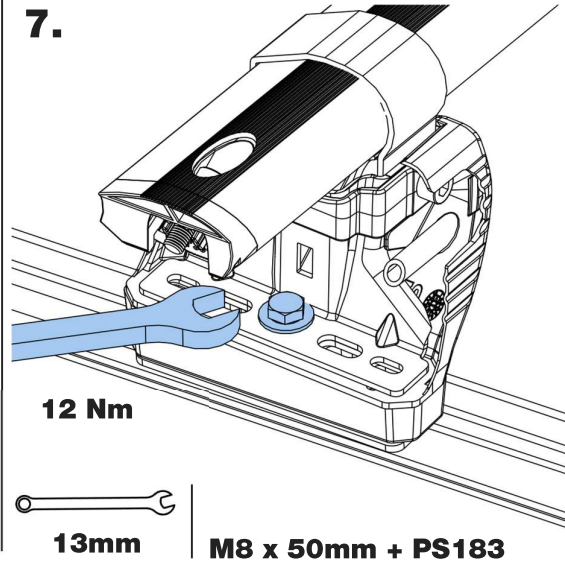
5.



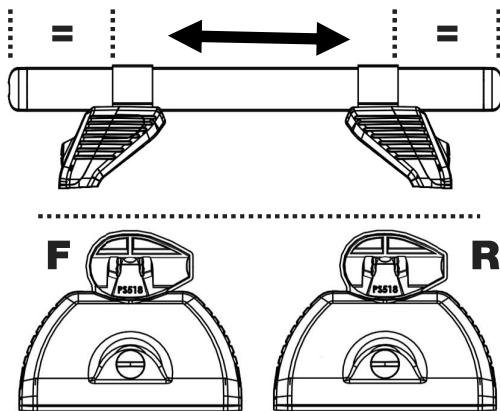
6.



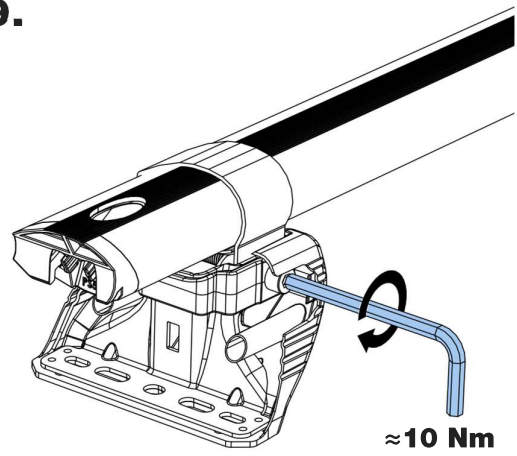
7.



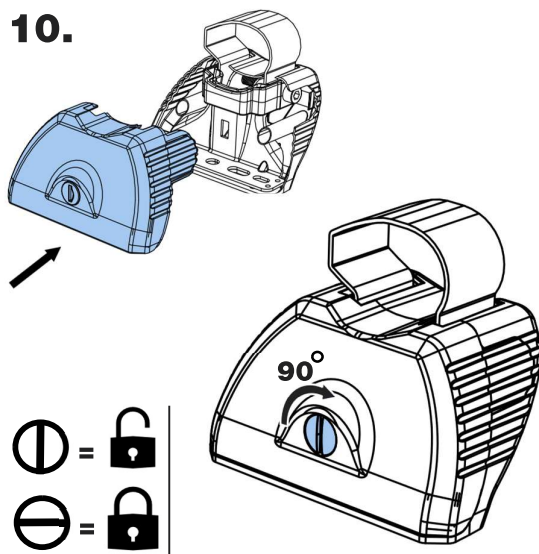
8.



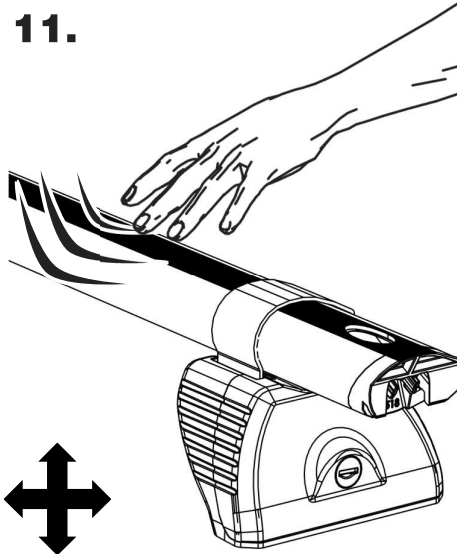
9.



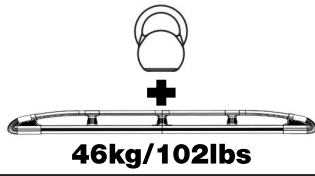
10.



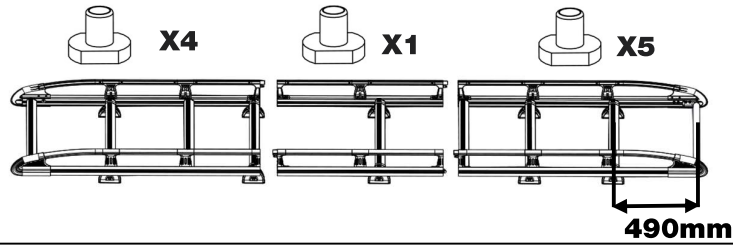
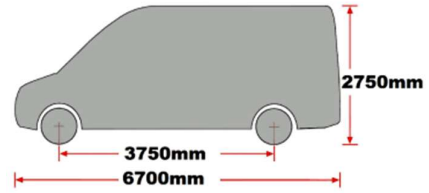
11.

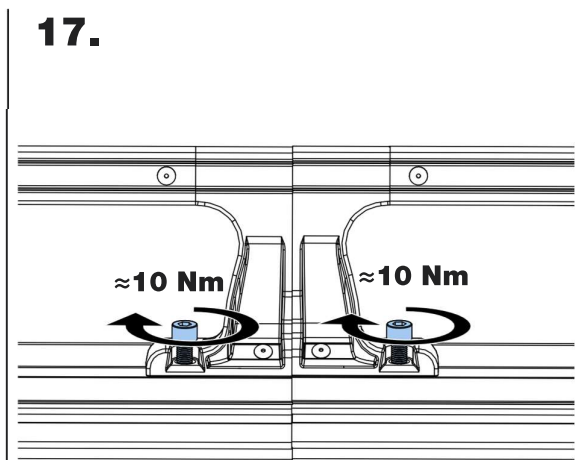
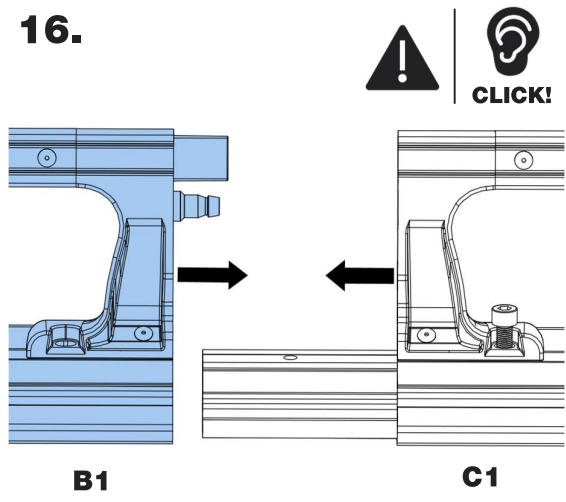
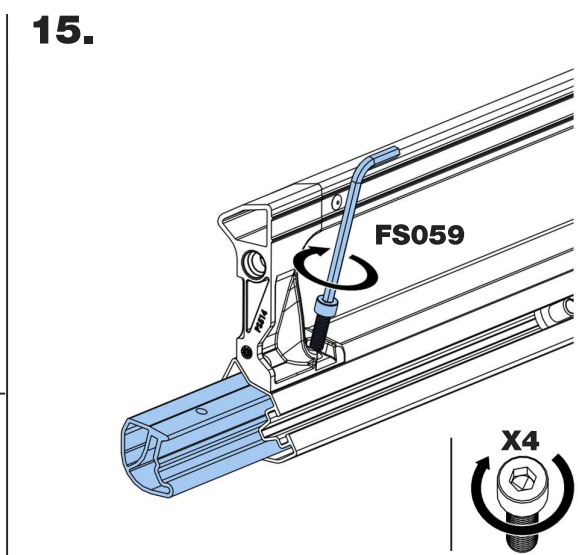
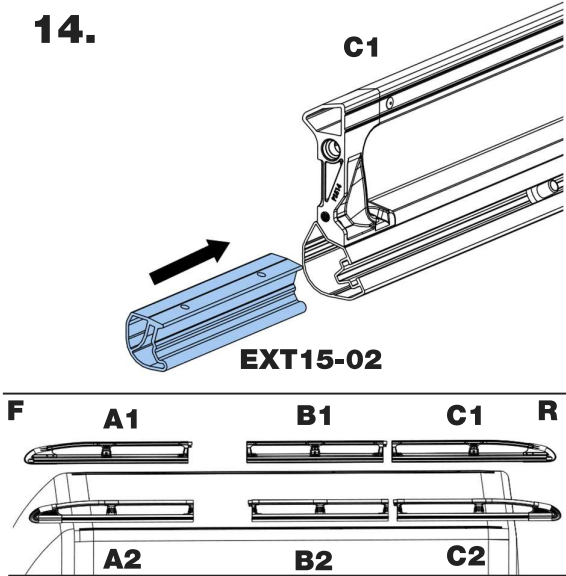
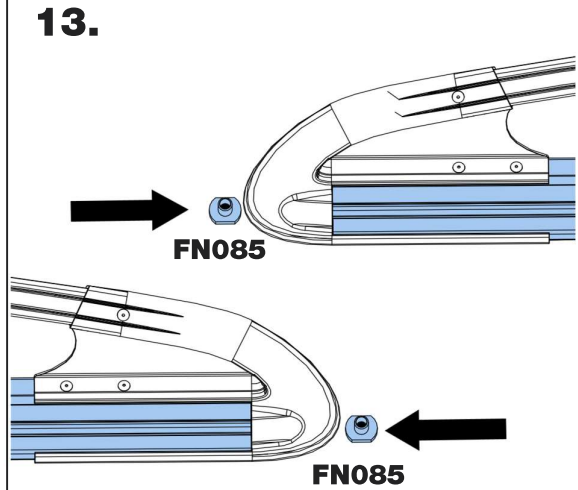
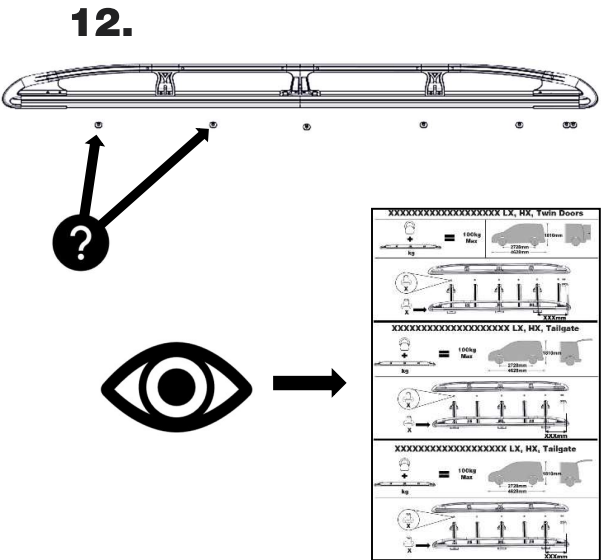


K628- Transit 2014- L4, H3, Twin Doors

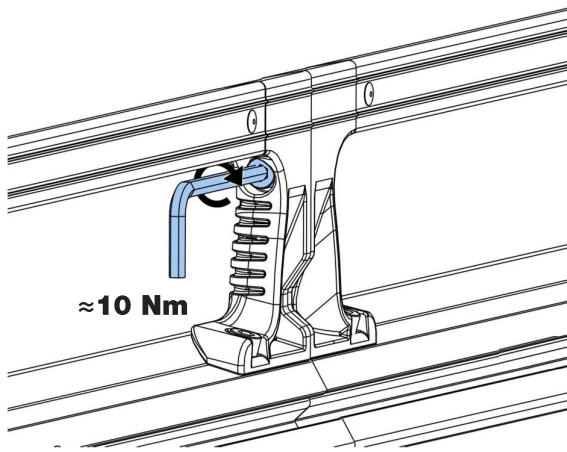


**150kg
Max**

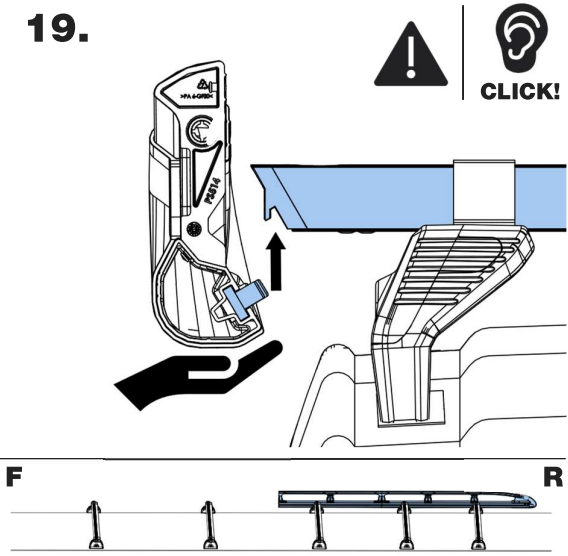




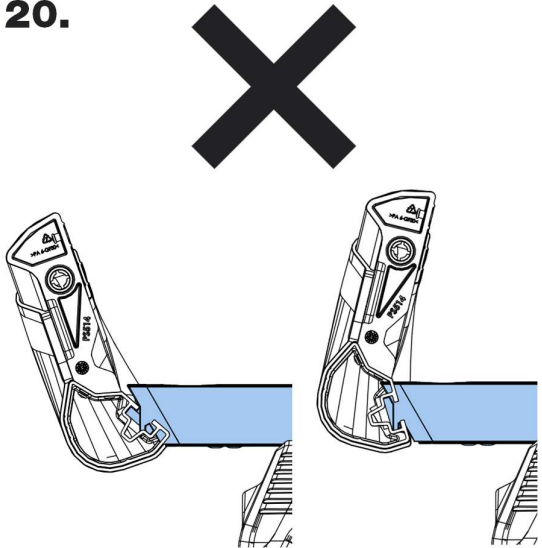
18.



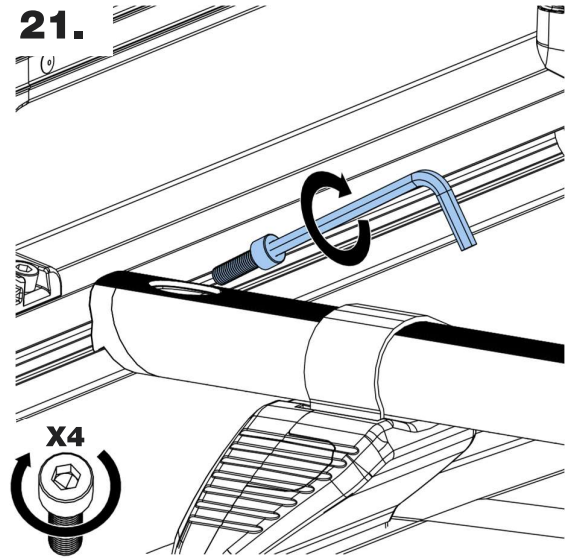
19.



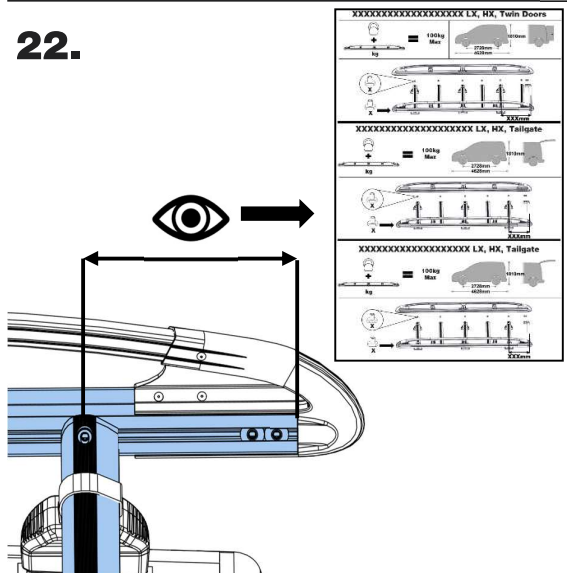
20.



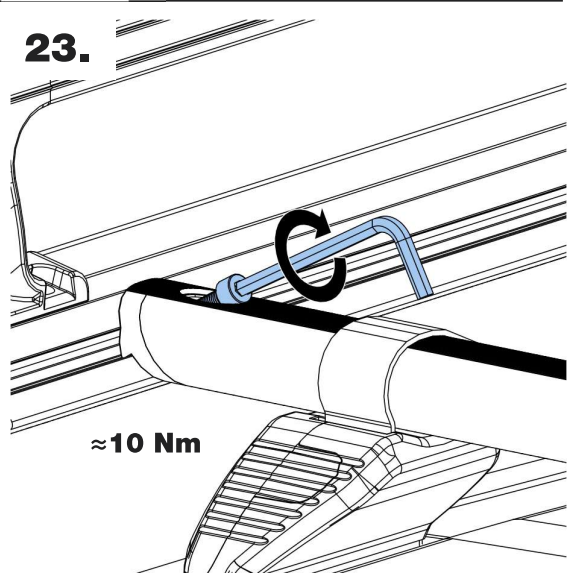
21.



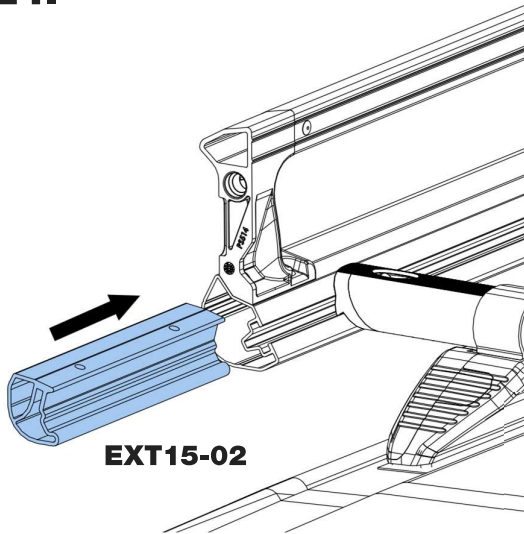
22.



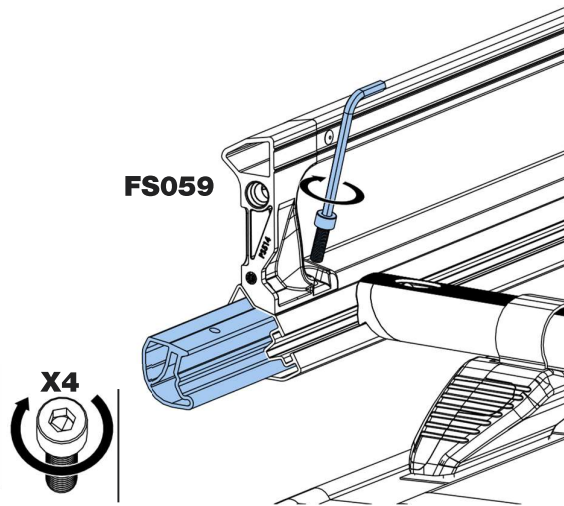
23.



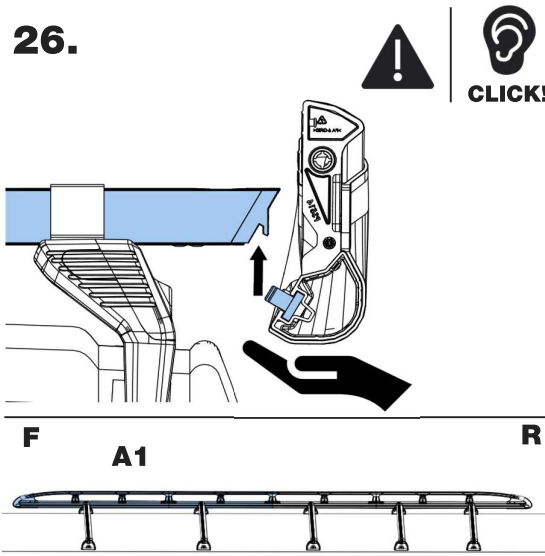
24.



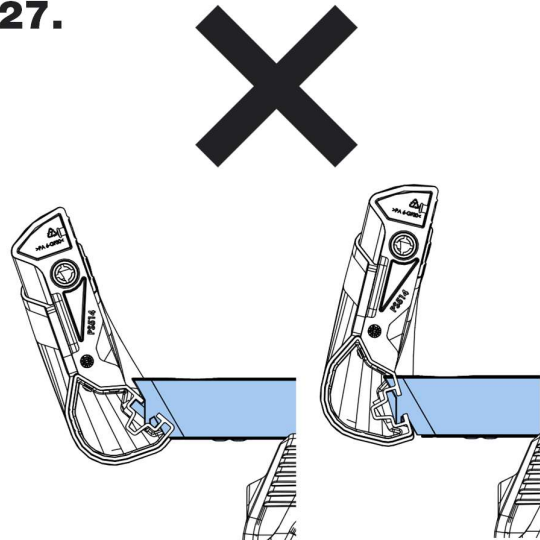
25.



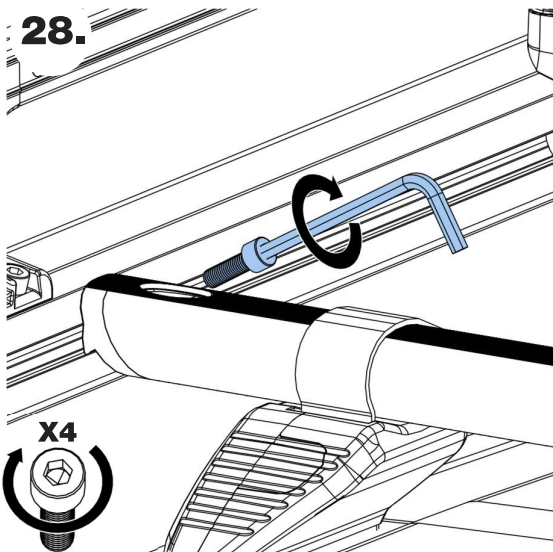
26.



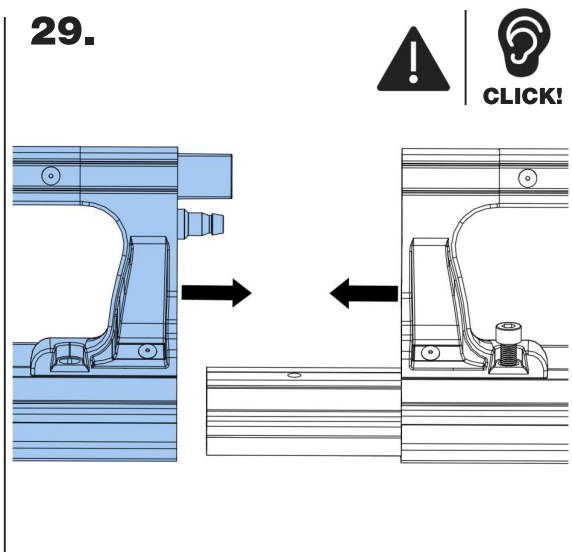
27.



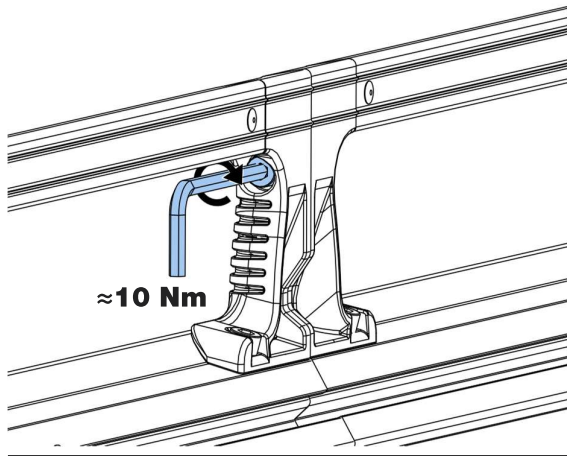
28.



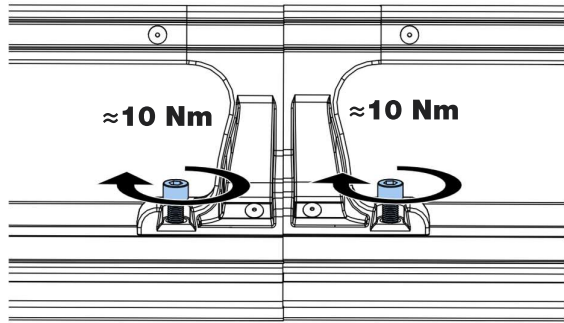
29.



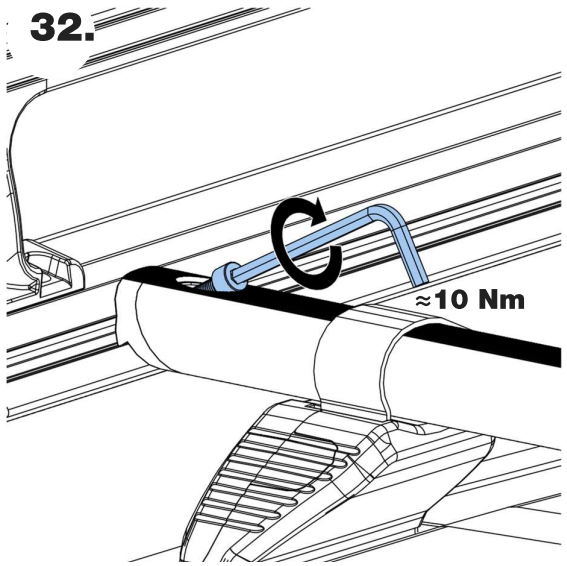
30.



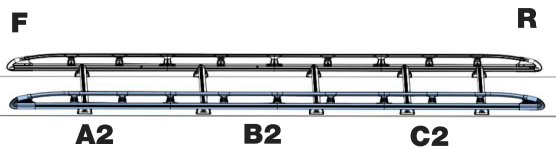
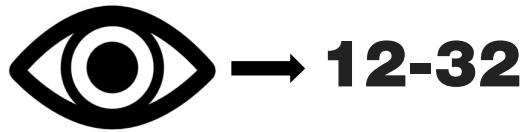
31.



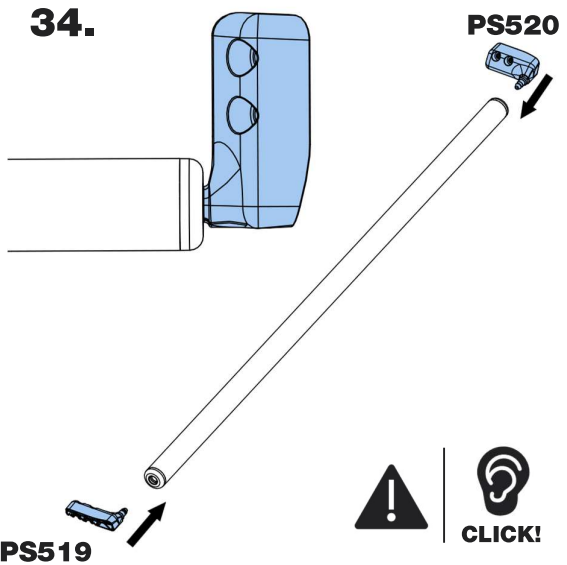
32.



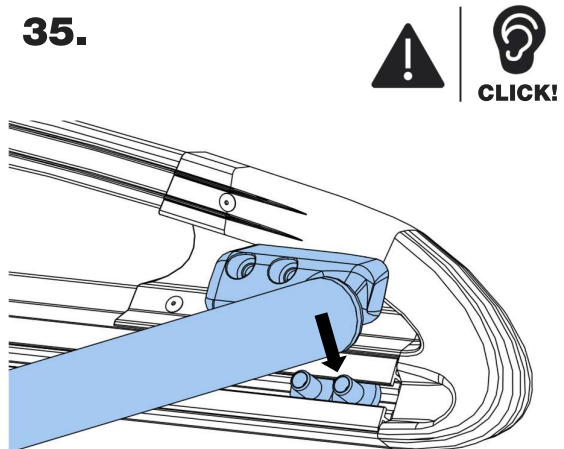
33.



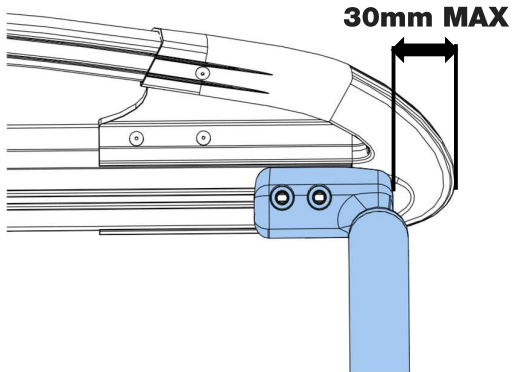
34.



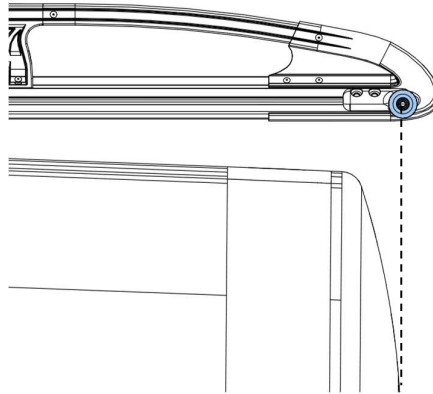
35.



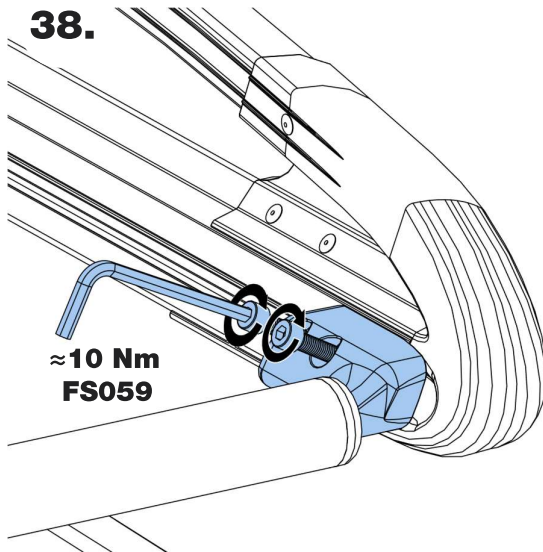
36.



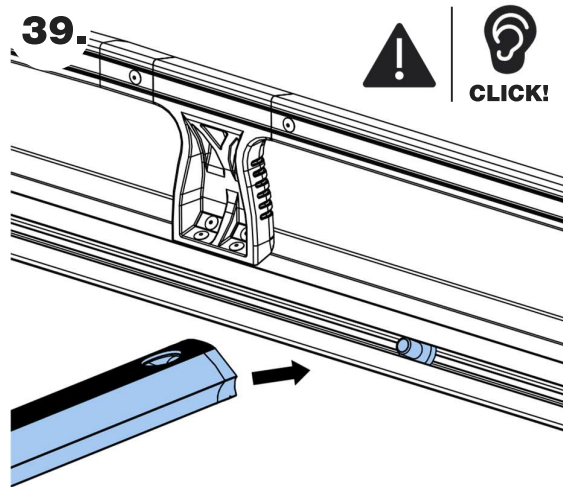
37.



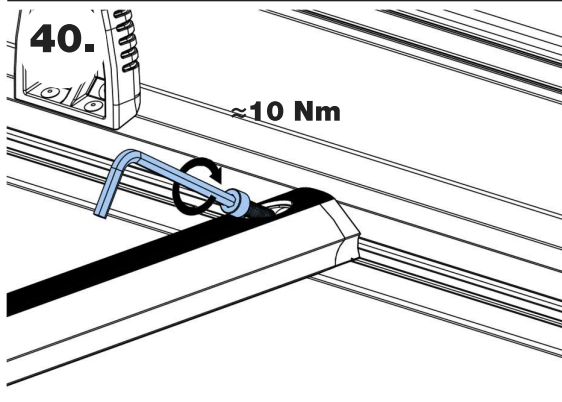
38.



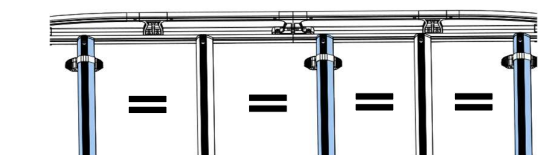
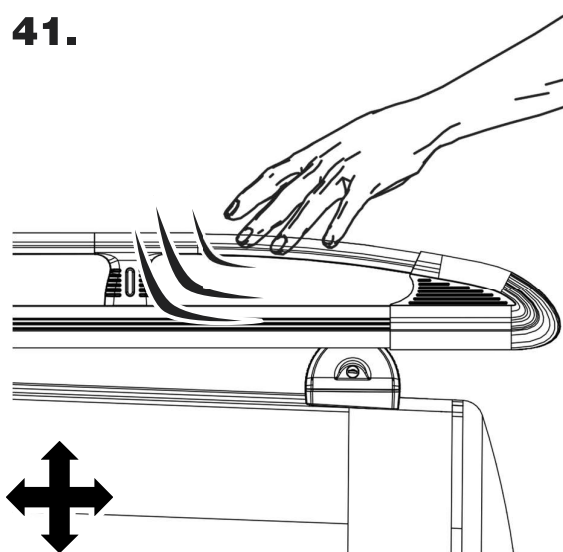
39.



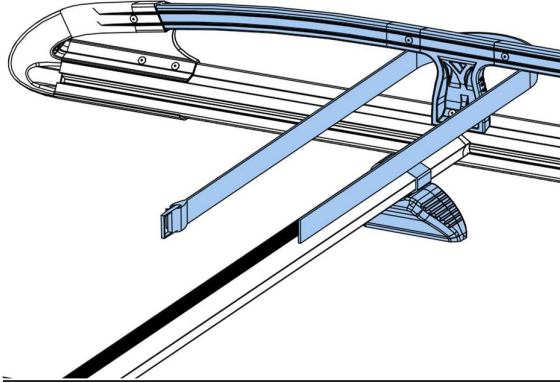
40.



41.



42.



43.

