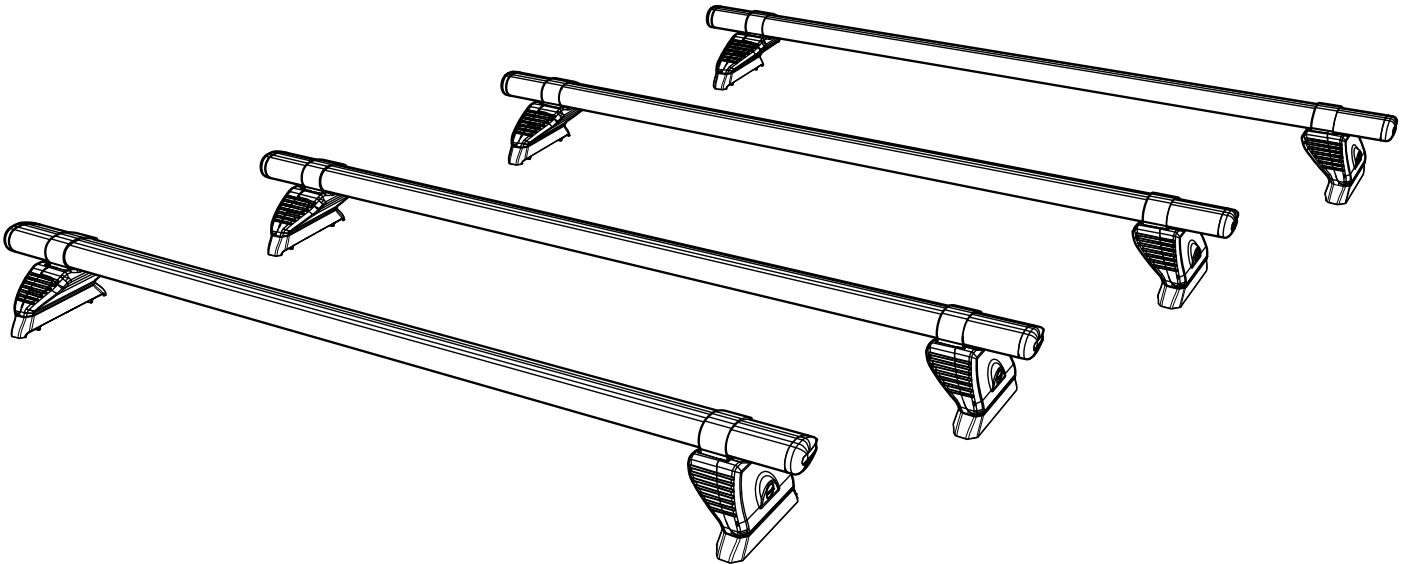


VC4PR/FL KammBar

Instructions

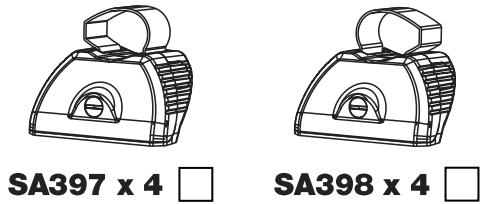
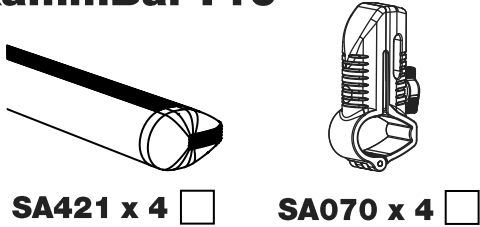


CITY CRASH (✓)

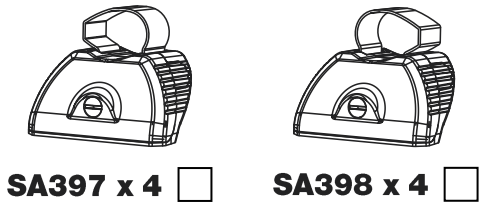
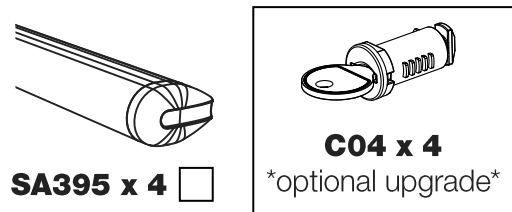
According to ISO/ PAS 11154:2006



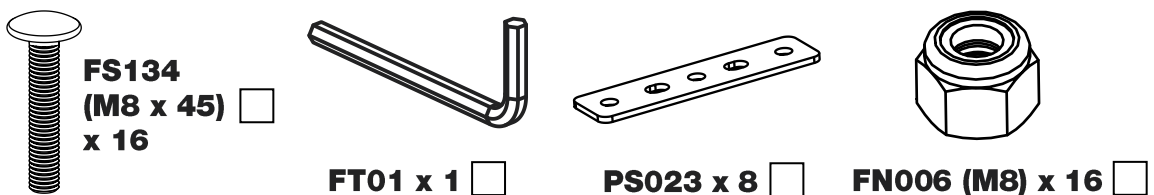
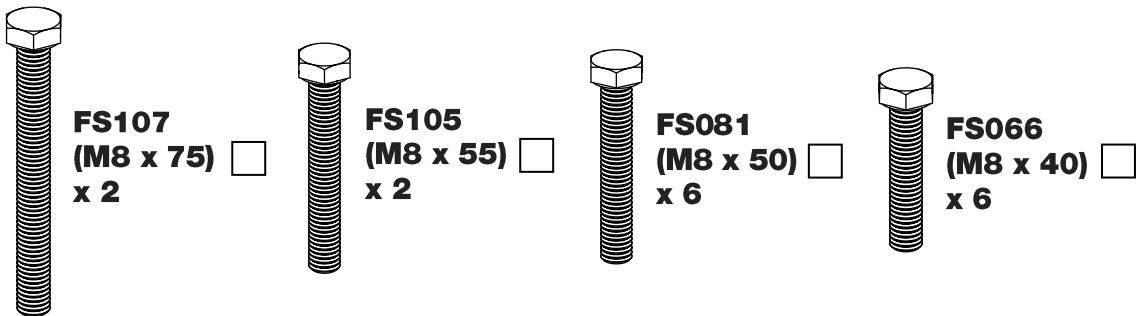
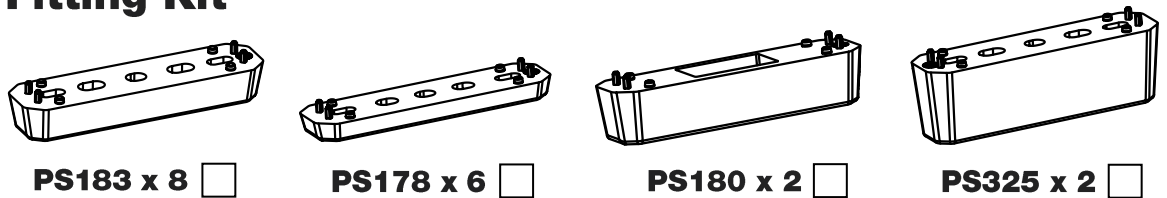
KammBar Pro

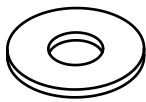


KammBar Fleet

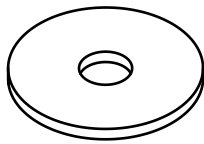


Fitting Kit

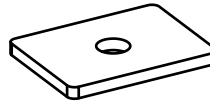




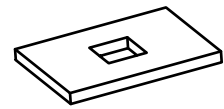
FW002 (M8) x 16



PS208 (M8) x 8



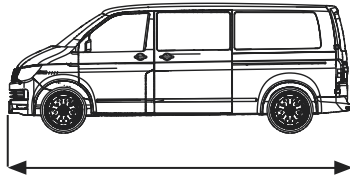
PS020 (M8) x 8



MS209 (M8) x 16

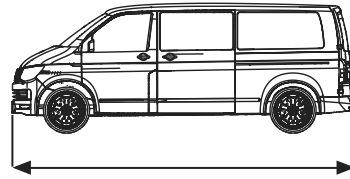


L3 = B



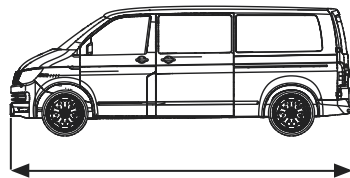
5986mm

L3 (T-Track) = C



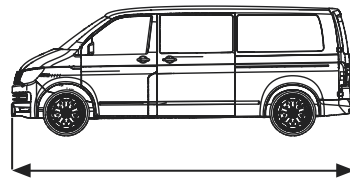
5986mm

L4 = A



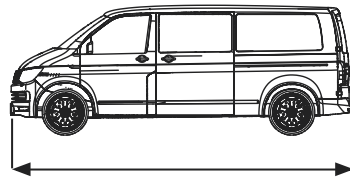
6850mm

L4 (T-Track) = C



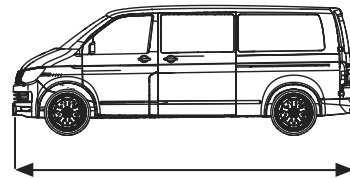
6850mm

L5 = A



7391mm

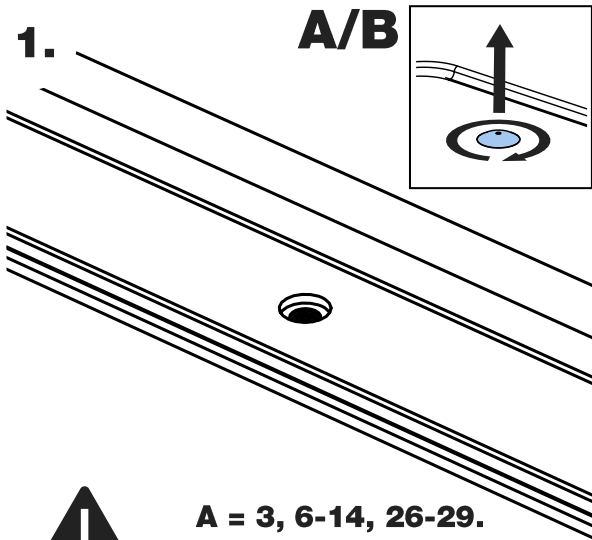
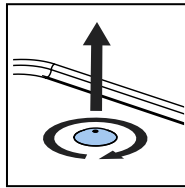
L5 (T-Track) = C



7391mm

1.

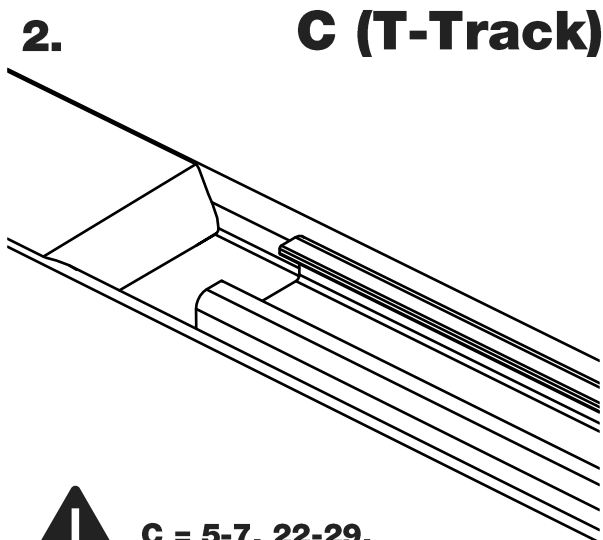
A/B



**A = 3, 6-14, 26-29.
B = 4, 6-7, 15-21, 26-29.**

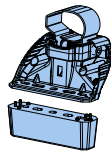
2.

C (T-Track)



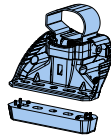
C = 5-7, 22-29.

3.



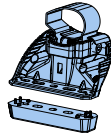
SA397

PS325



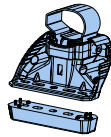
SA397

PS183



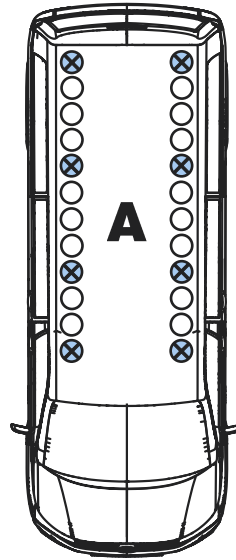
SA397

PS183

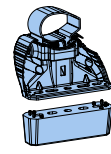


SA397

PS183

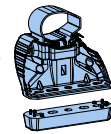


SA398



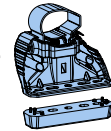
PS325

SA398



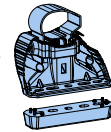
PS183

SA398



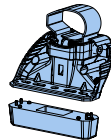
PS183

SA398



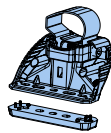
PS183

4.



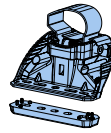
SA397

PS180



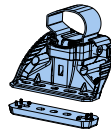
SA397

PS178



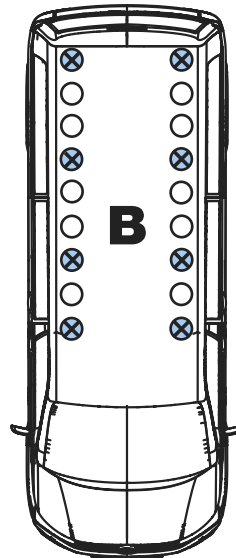
SA397

PS178



SA397

PS178

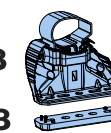


SA398



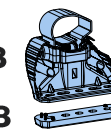
PS180

SA398



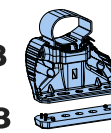
PS178

SA398



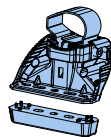
PS178

SA398



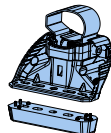
PS178

5.



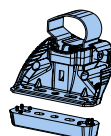
SA397

PS183



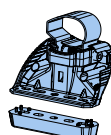
SA397

PS183



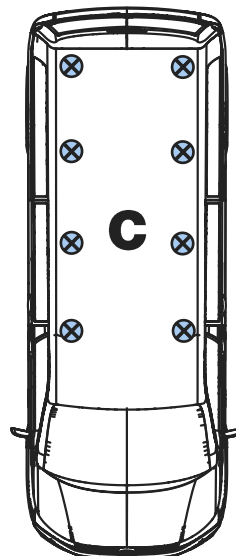
SA397

PS183

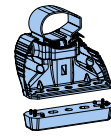


SA397

PS183

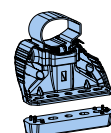


SA398



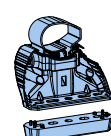
PS183

SA398



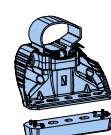
PS183

SA398



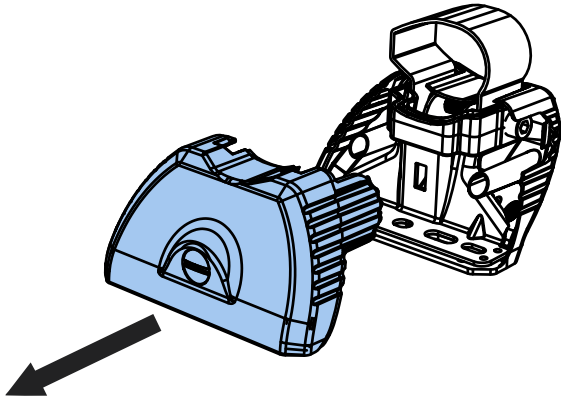
PS183

SA398

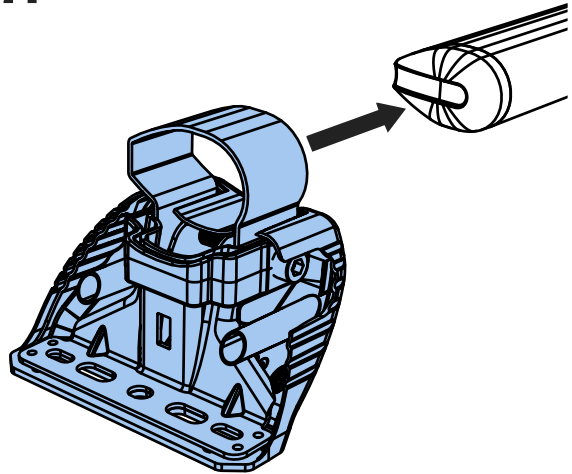


PS183

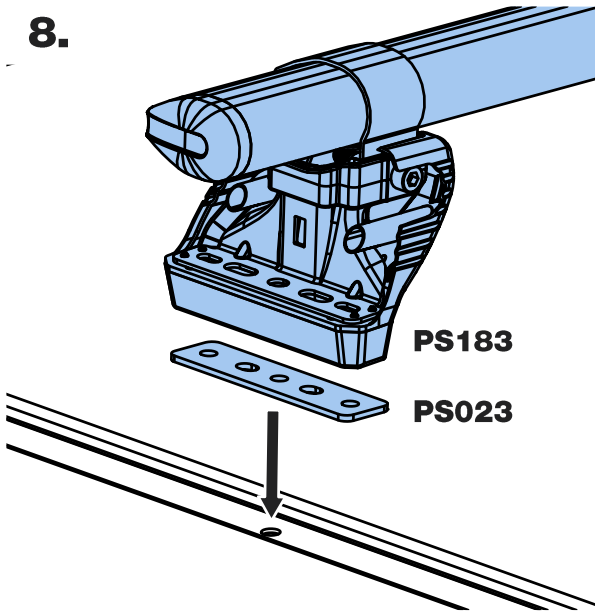
6.



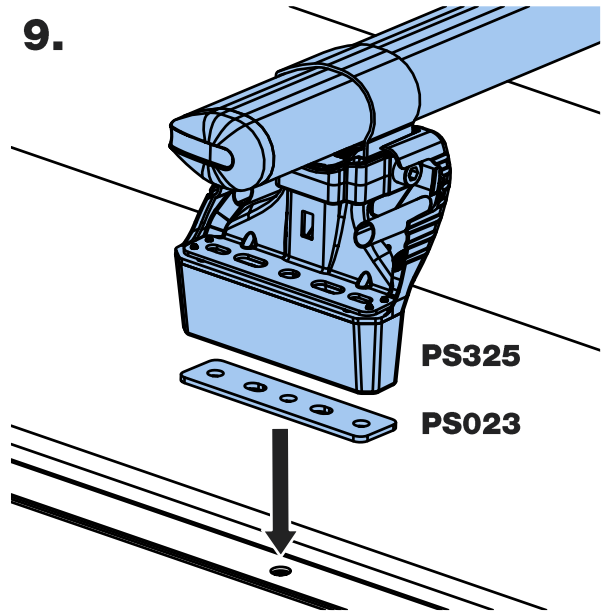
7.



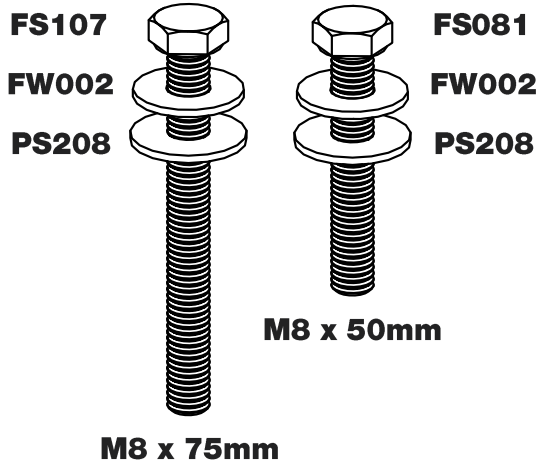
8.



9.



10.



11.

