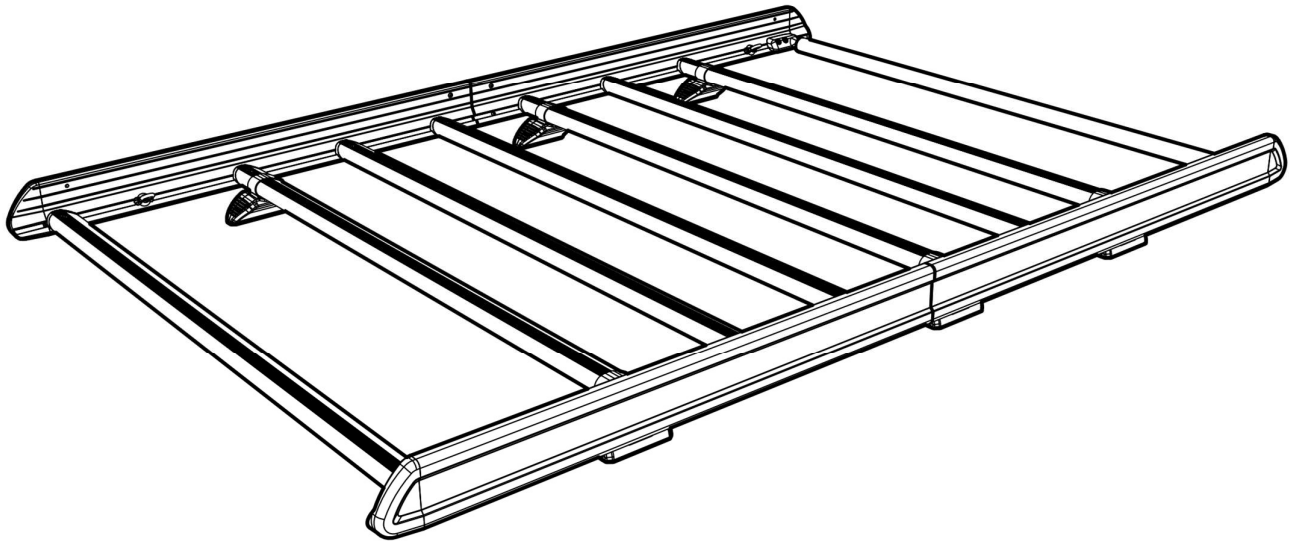


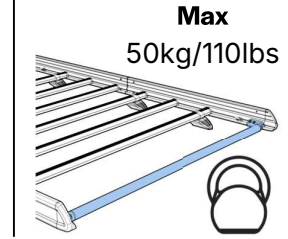
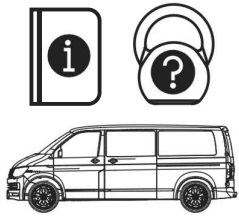
| <b>Issue:</b> | <b>Drawn By:</b> | <b>Checked By:</b> | <b>CRF No.:</b> | <b>Date:</b> | <b>Description:</b> |
|---------------|------------------|--------------------|-----------------|--------------|---------------------|
| a             | SJ               | KB                 | 3609            | 21/10/25     | First Issue         |
| b             |                  |                    |                 |              |                     |
| c             |                  |                    |                 |              |                     |
| d             |                  |                    |                 |              |                     |

# VE4KE

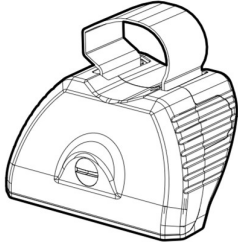
# KammEdge.

## Instructions

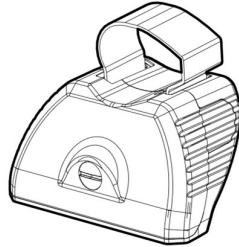




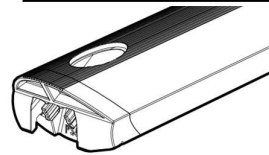
**KammEdge.**



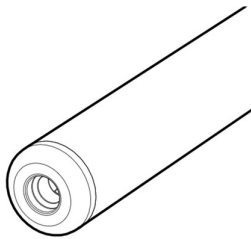
**SA397U x 4**



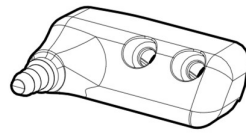
**SA398U x 4**



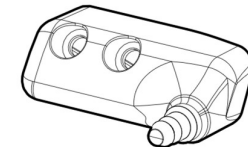
**SA430/SA468 x 9**



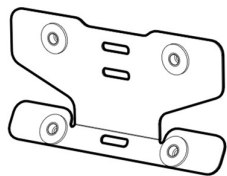
**SA438 x 1**



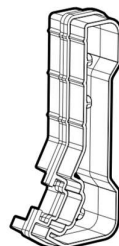
**PS519 x 1**



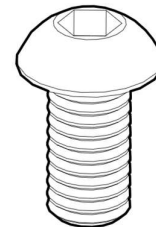
**PS520 x 1**



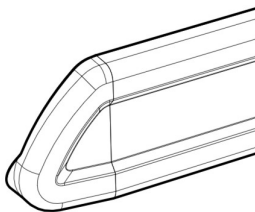
**SA610 x 4**



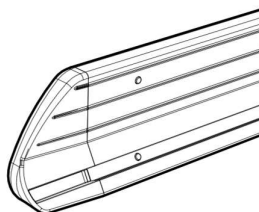
**PS635 x 4**



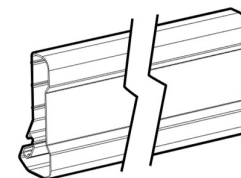
**FS323  
(M6 x 16) x 16**



**LSF (L) x 2**



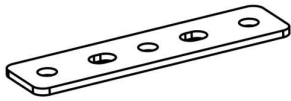
**LSF (R) x 2**



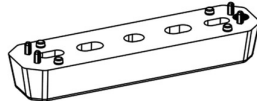
**LSF (M) x 2**



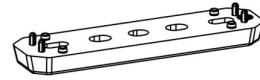
## Fitting Kit



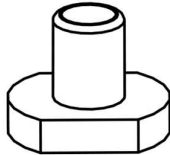
PS023 x 8



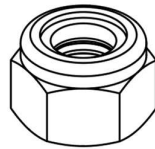
PS183 x 8



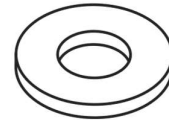
PS178 x 6



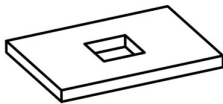
FN085 x 22



FN006 (M8) x 16



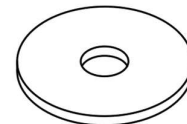
FW002 (M8) x 16



MS209 x 16



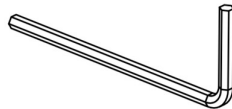
PS020 x 8



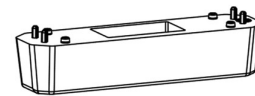
PS0208 (M8) x 8



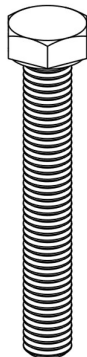
FT01 x 1



FT05 x 1



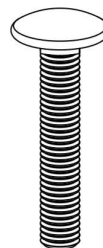
PS180 x 2



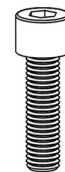
FS105  
(M8 x 55) x 2



FS066  
(M8 x 40) x 6

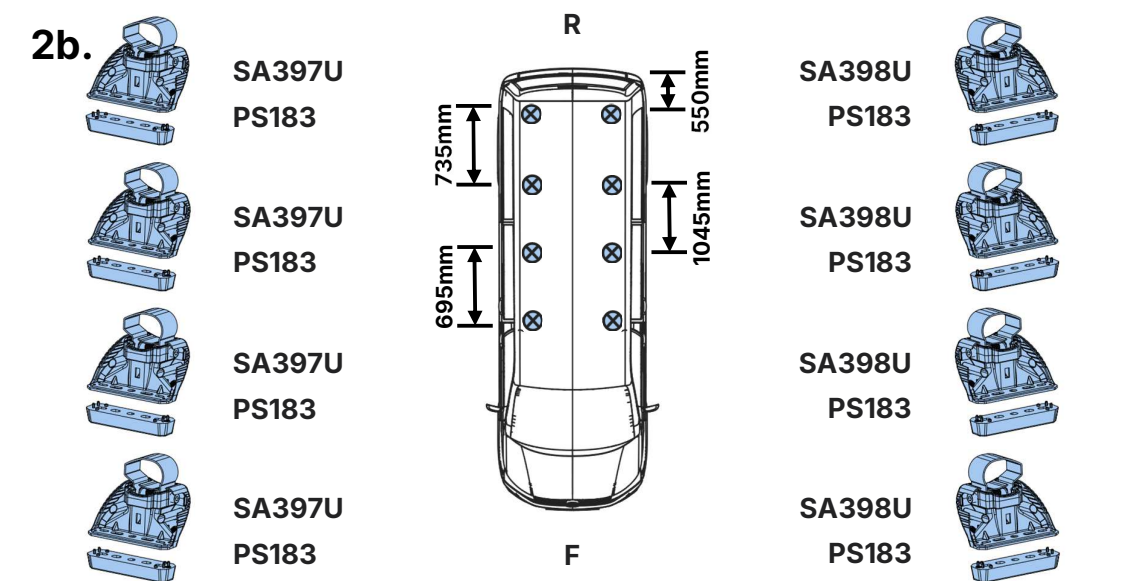
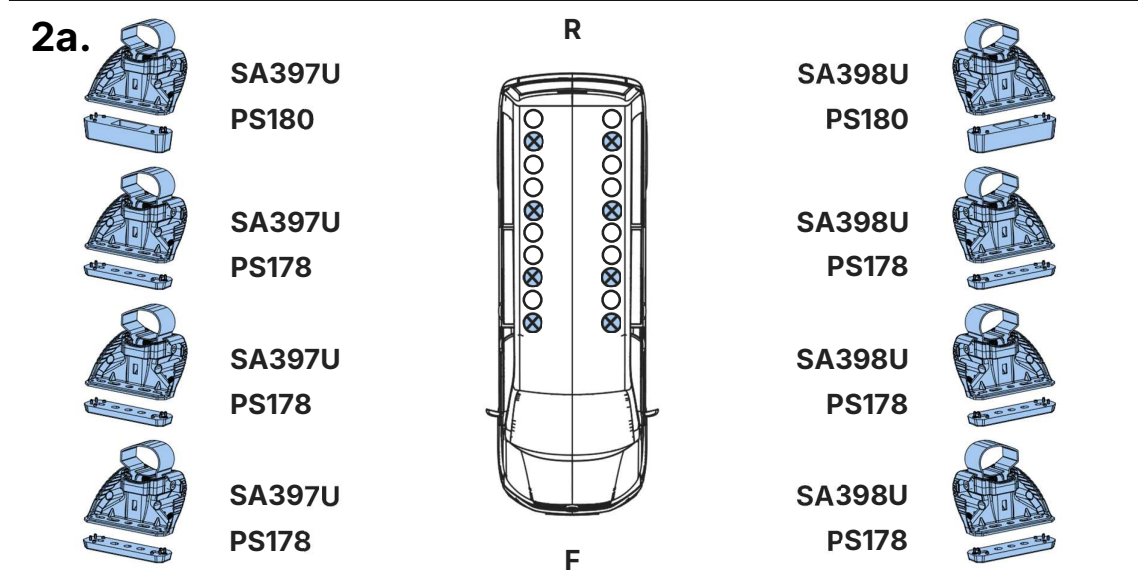
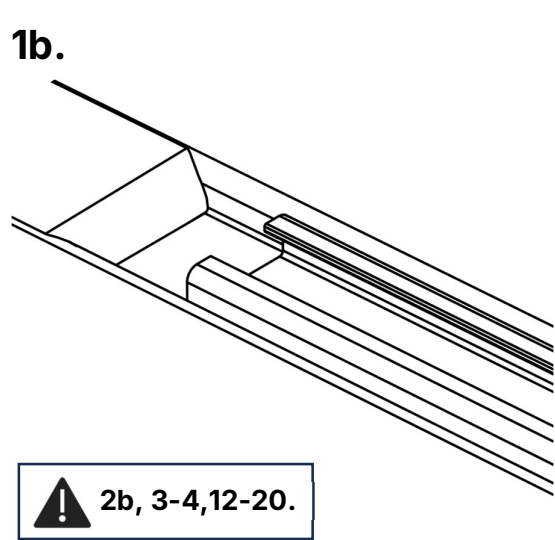
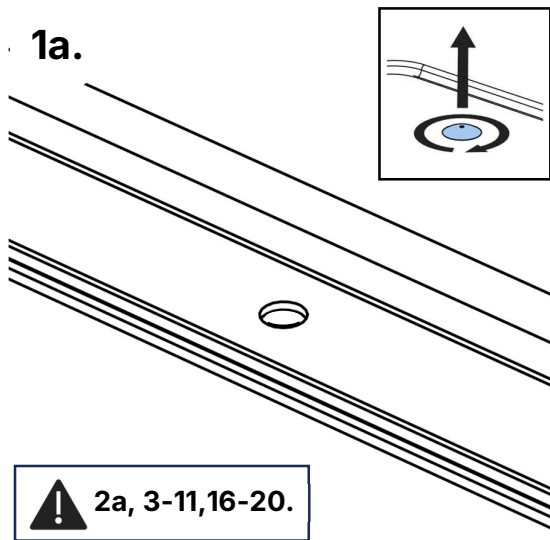


FS134  
(M8 x 45) x 16

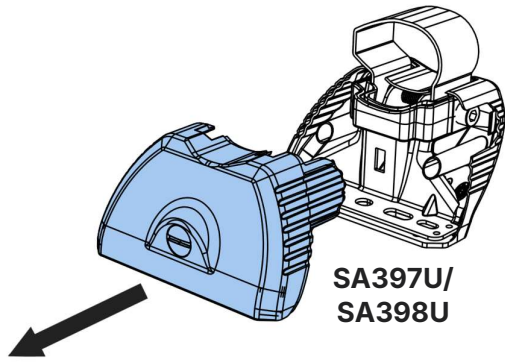


FS059  
(M8 x 25) x 22

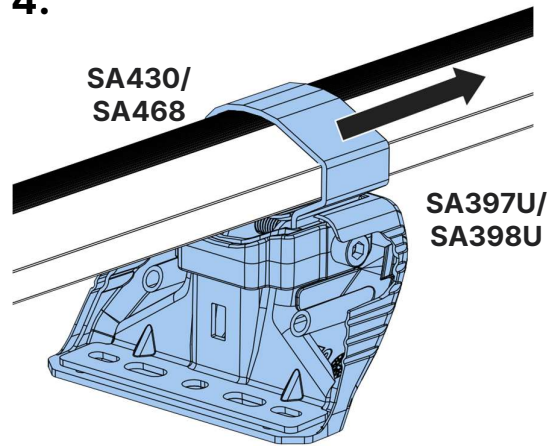




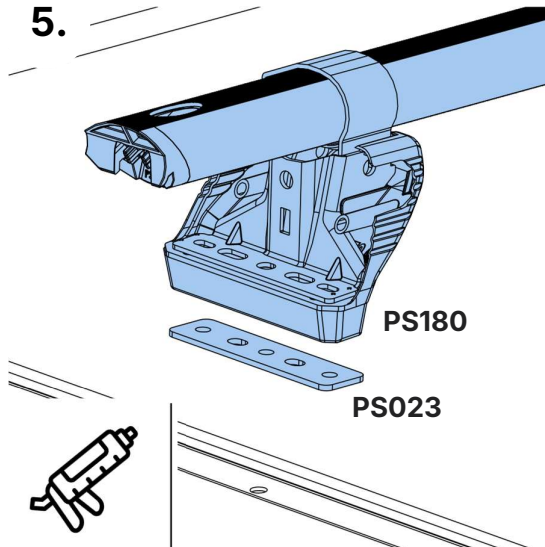
3.



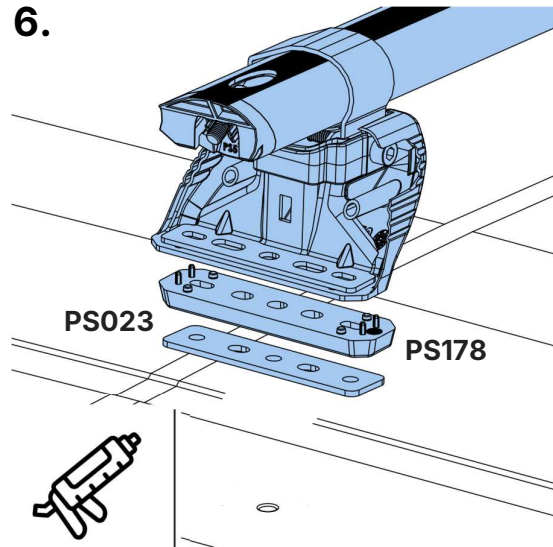
4.



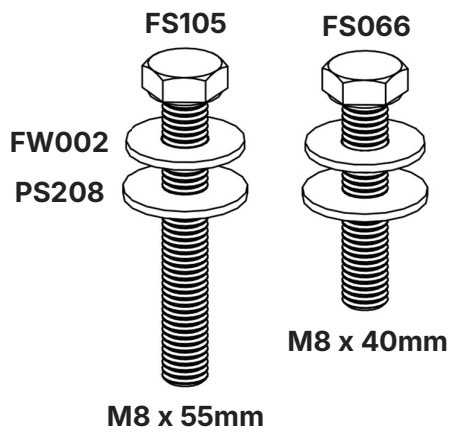
5.



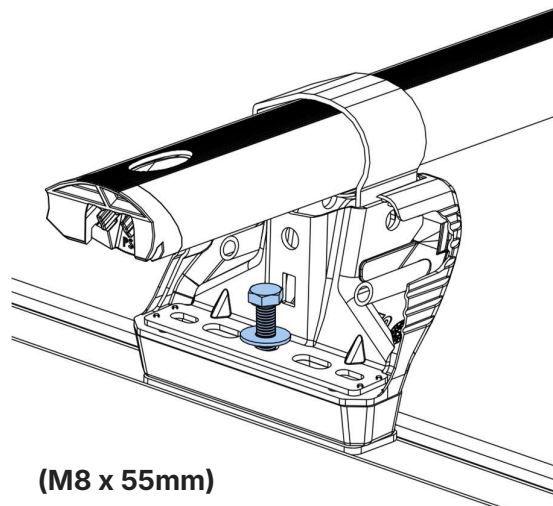
6.

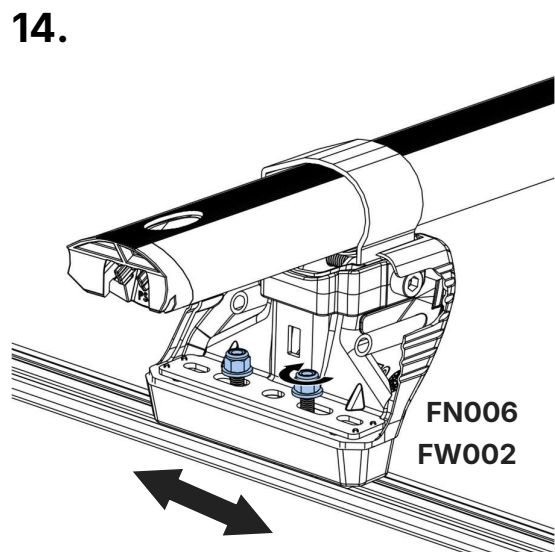
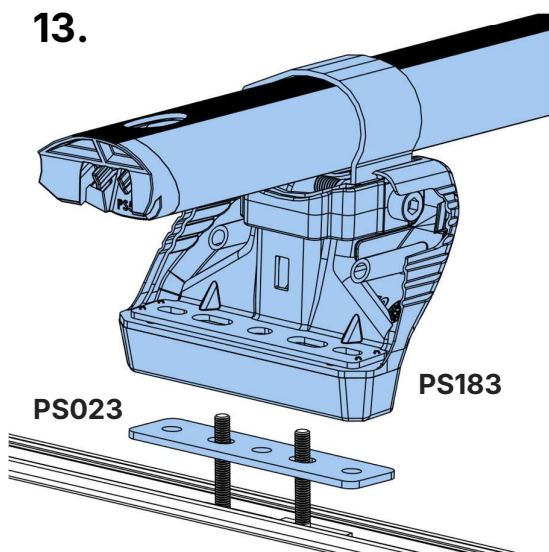
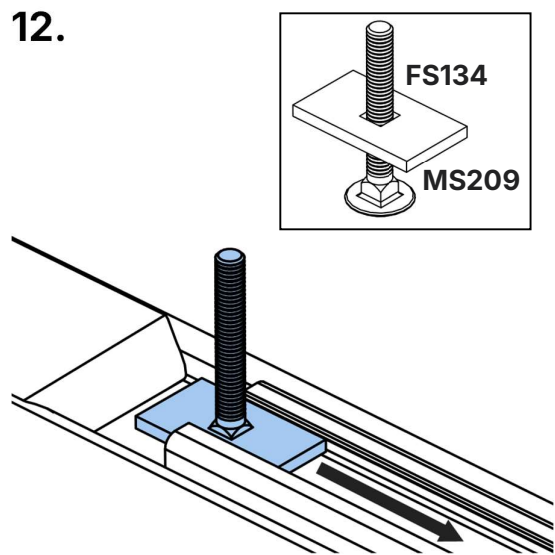
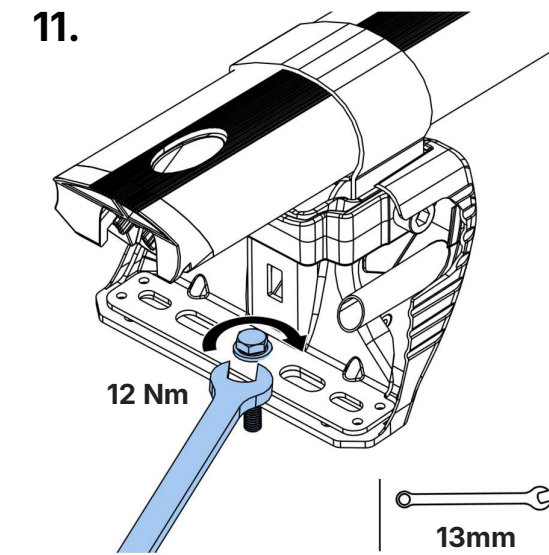
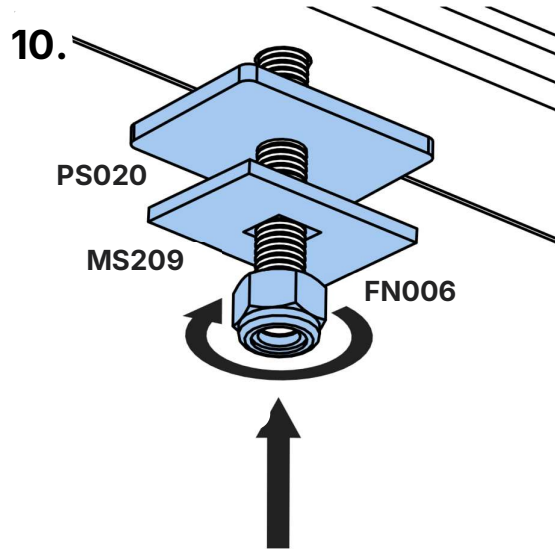
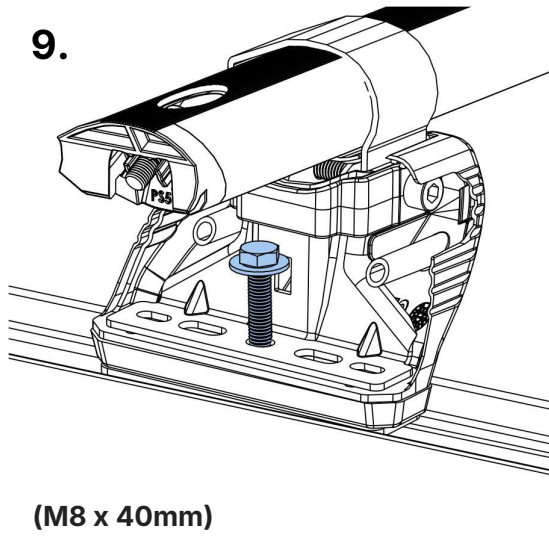


7.

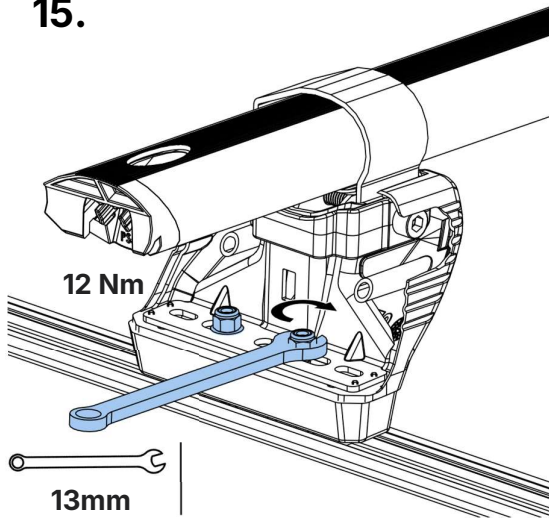


8.

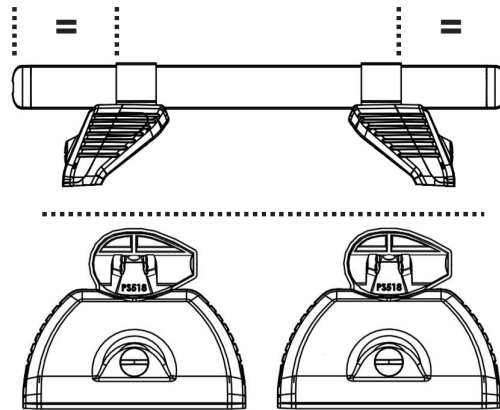




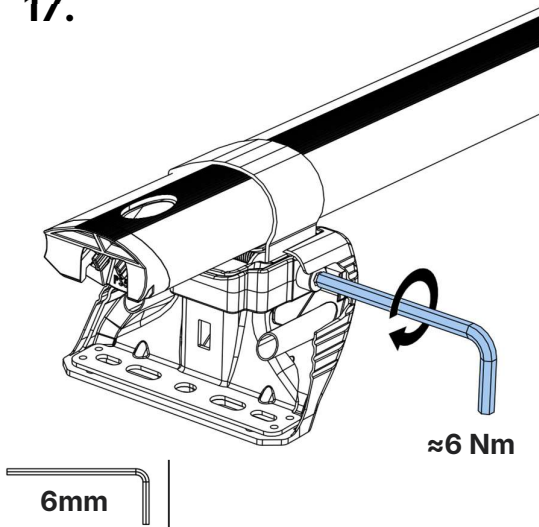
15.



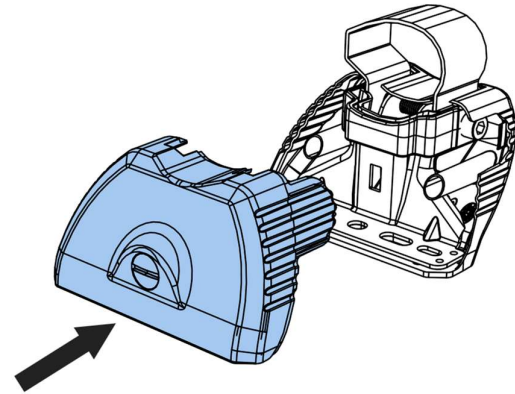
16.



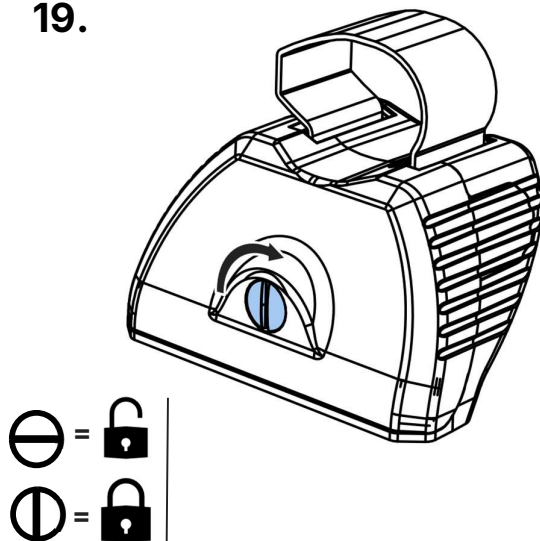
17.



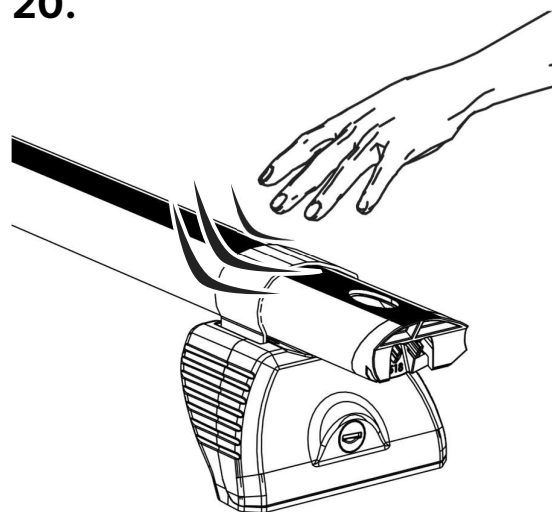
18.

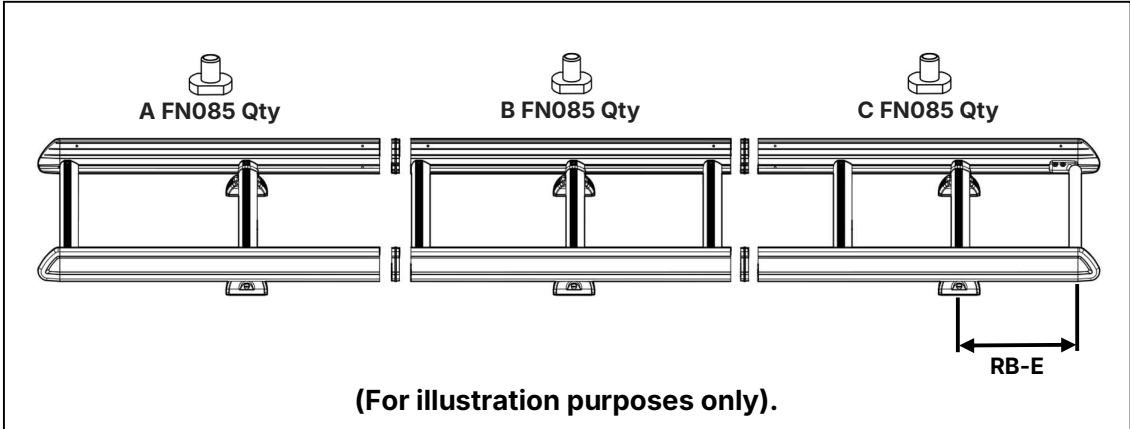


19.


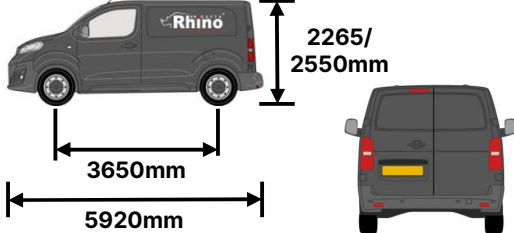


20.



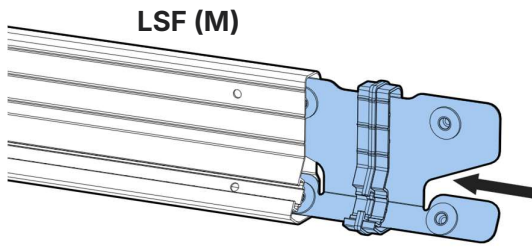


**L666/LB666- TGE/Crafter 2017-, L3-H2, L3-H3 (Twin)**

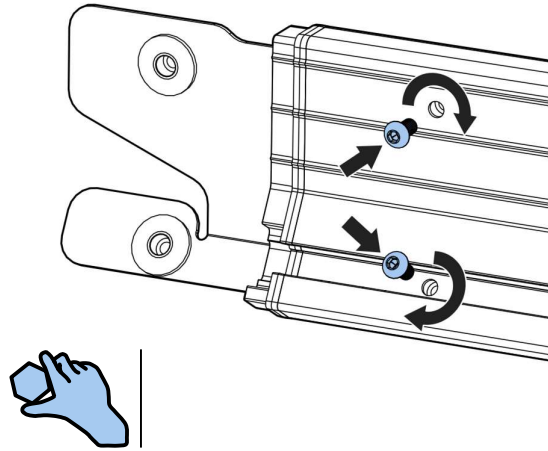
|   |                    |  |                            |
|---|--------------------|--|----------------------------|
| <p>Max Load = 150kg/330lbs</p>  <p>L666/LB666 = 37kg/82lbs</p> |                    |  |                            |
| <b>A FN085 Qty</b>  | <b>B FN085 Qty</b> | <b>C FN085 Qty</b>   | <b>Rear Bar – End (mm)</b> |
| 4   | 1                  | 6  | 530                        |



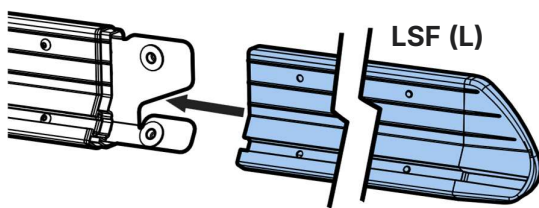
27.



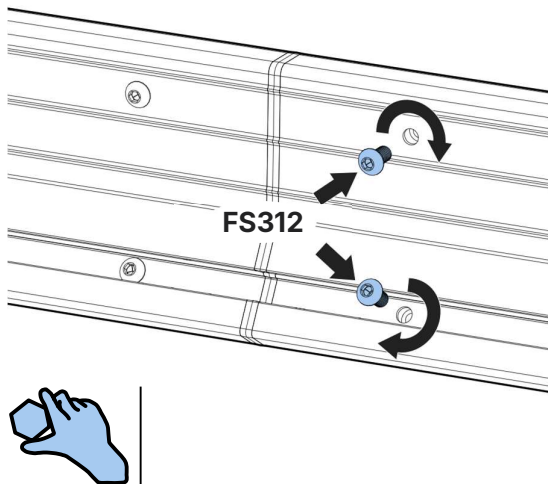
28.



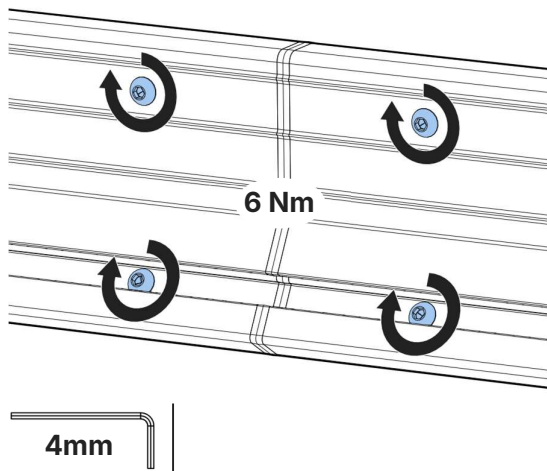
29.



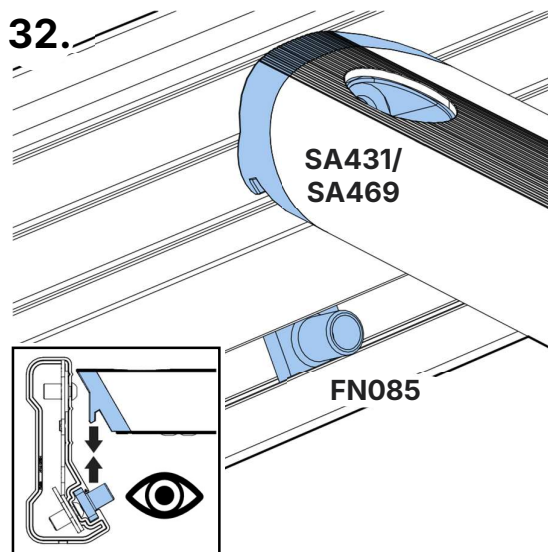
30.

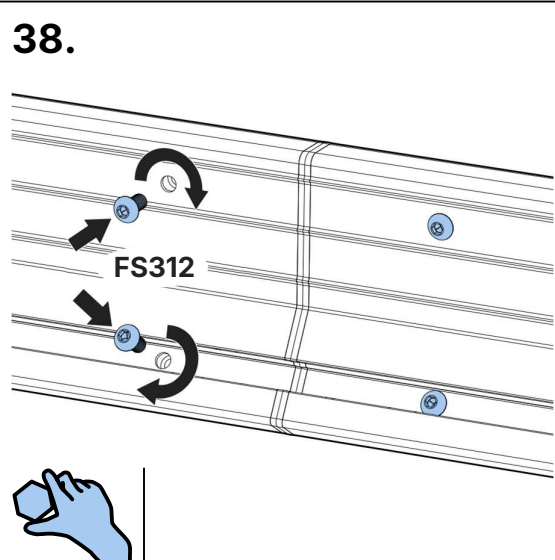
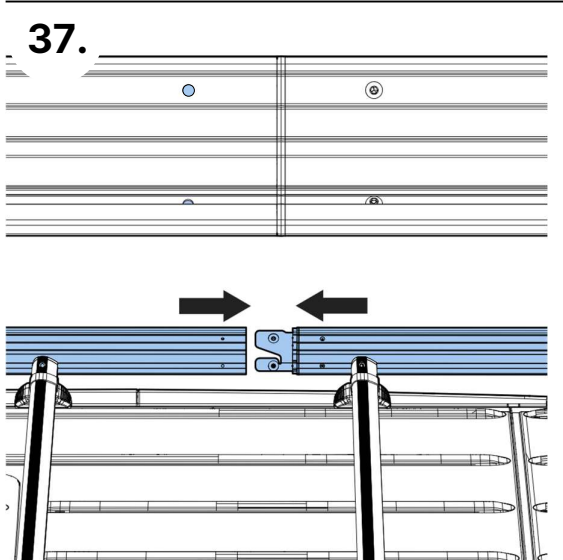
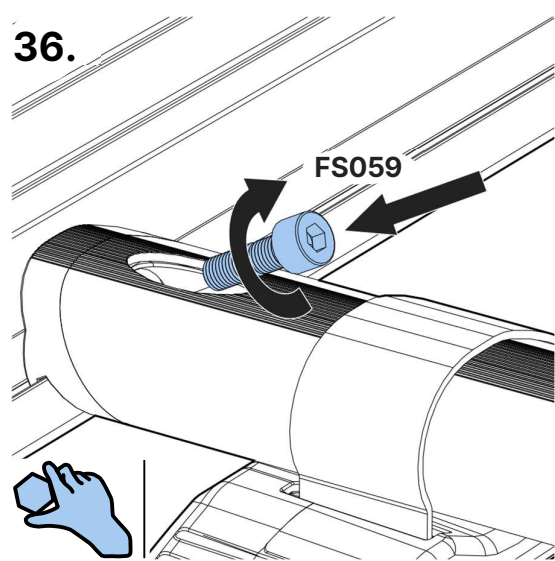
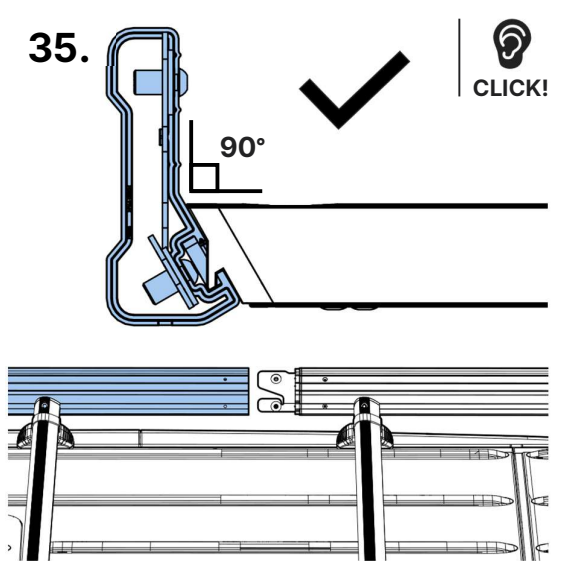
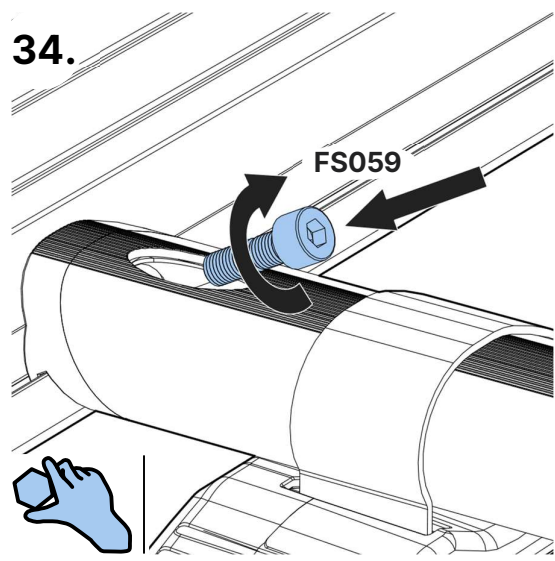
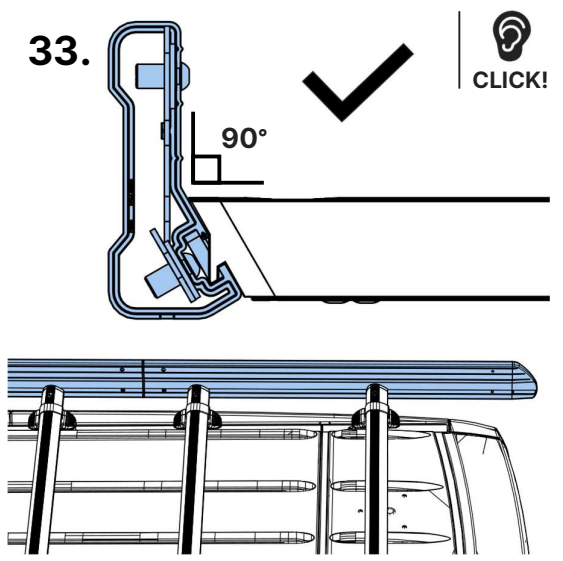


31.

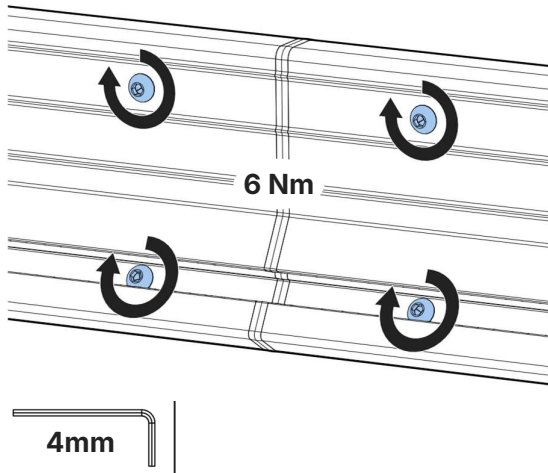


32.

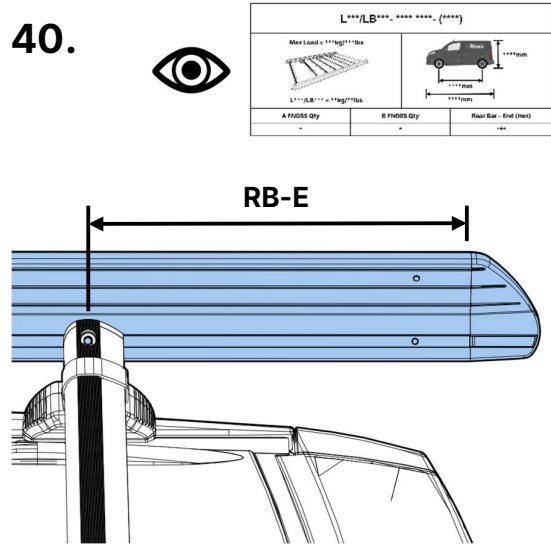




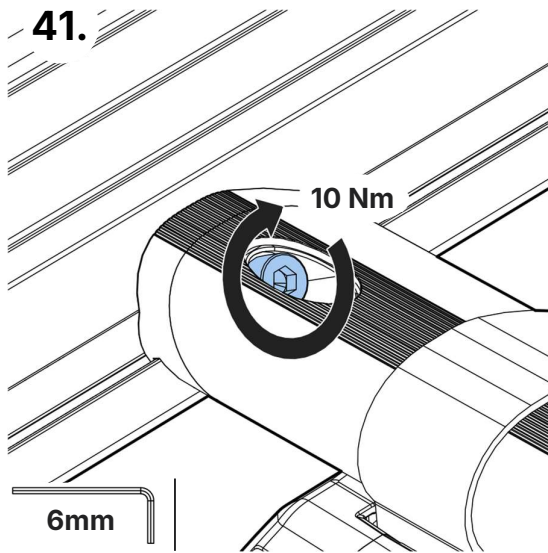
39.



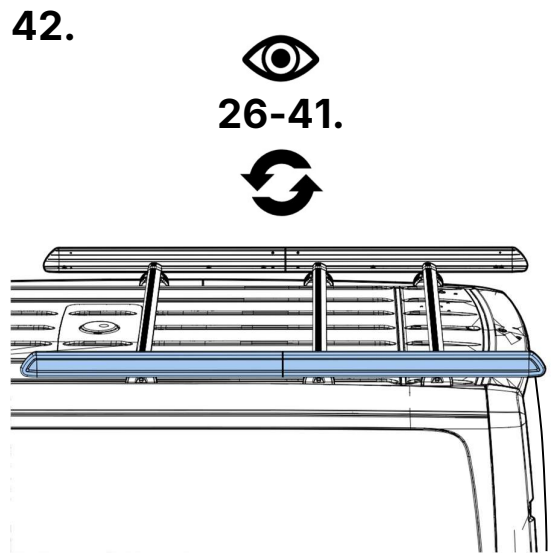
40.



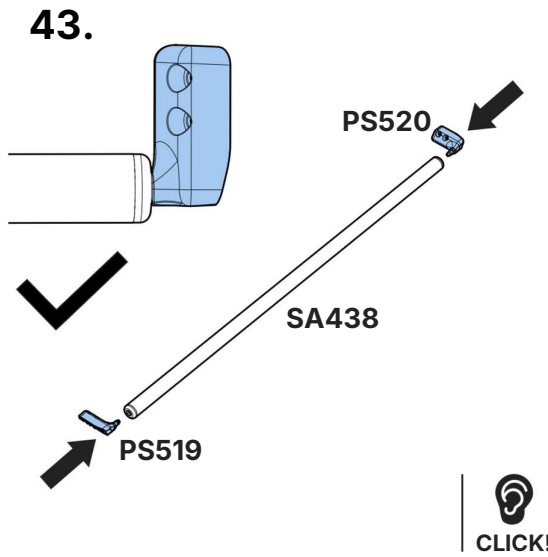
41.



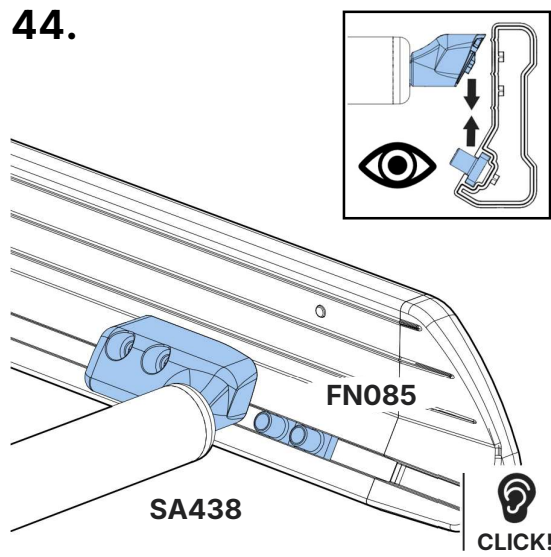
42.



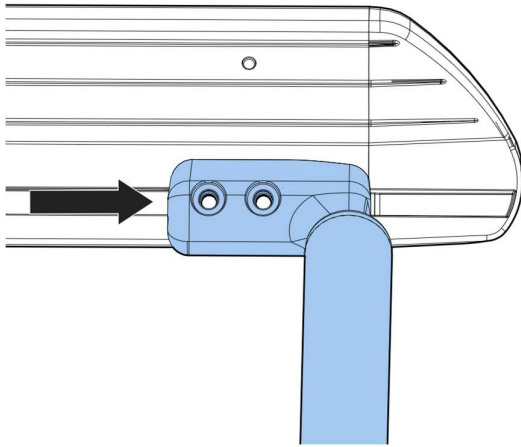
43.



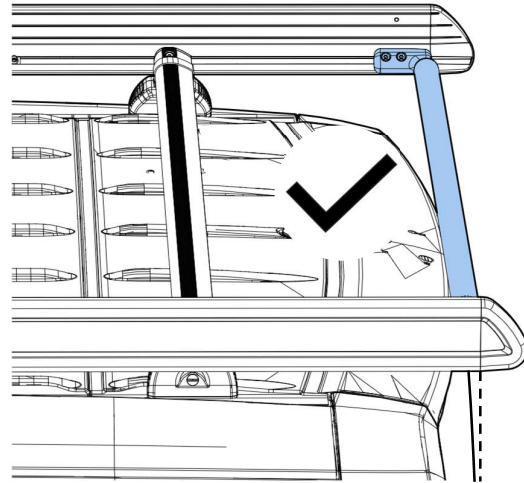
44.



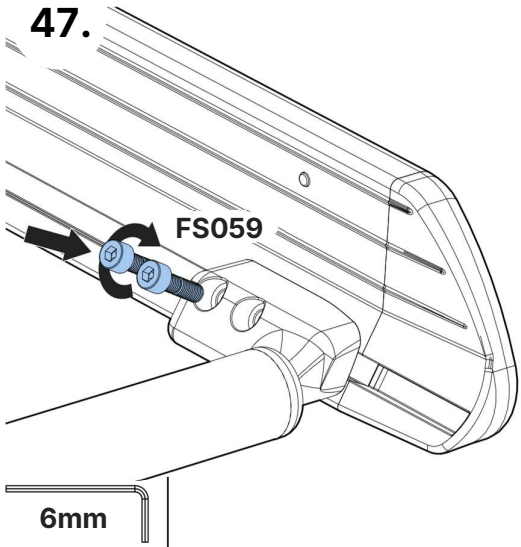
45.



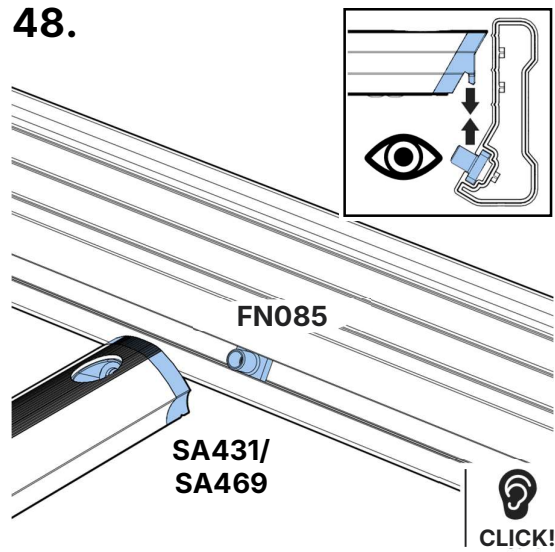
46.



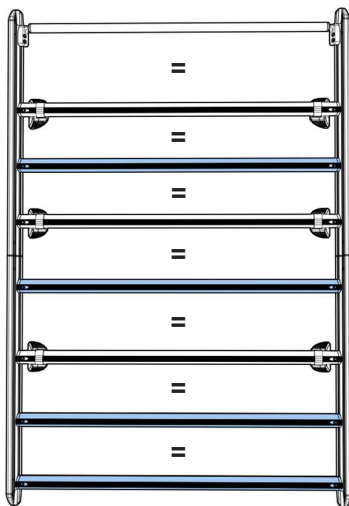
47.



48.



49.



50.

