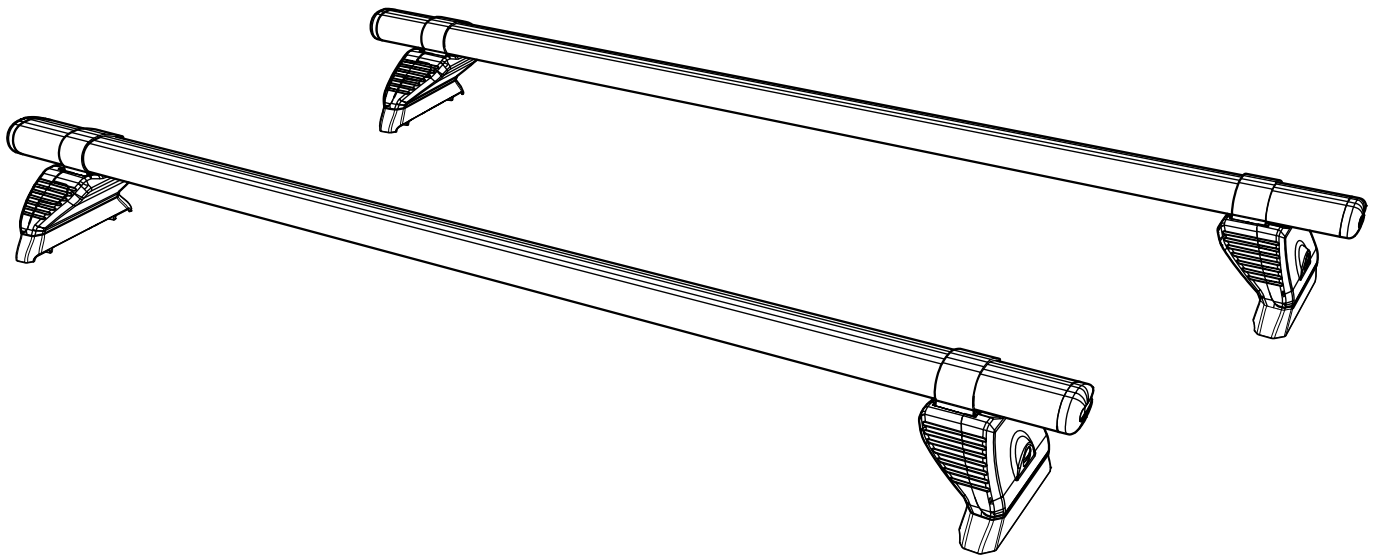


# XC2PR/FL KammBar Instructions

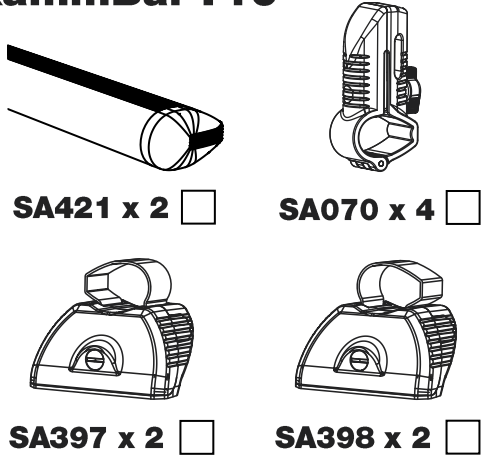


**CITY CRASH** (✓)

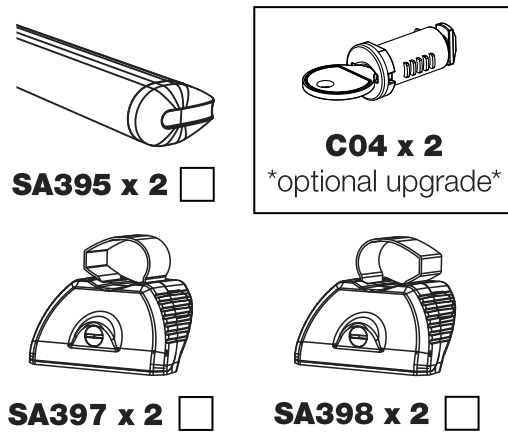
According to ISO/ PAS 11154:2006



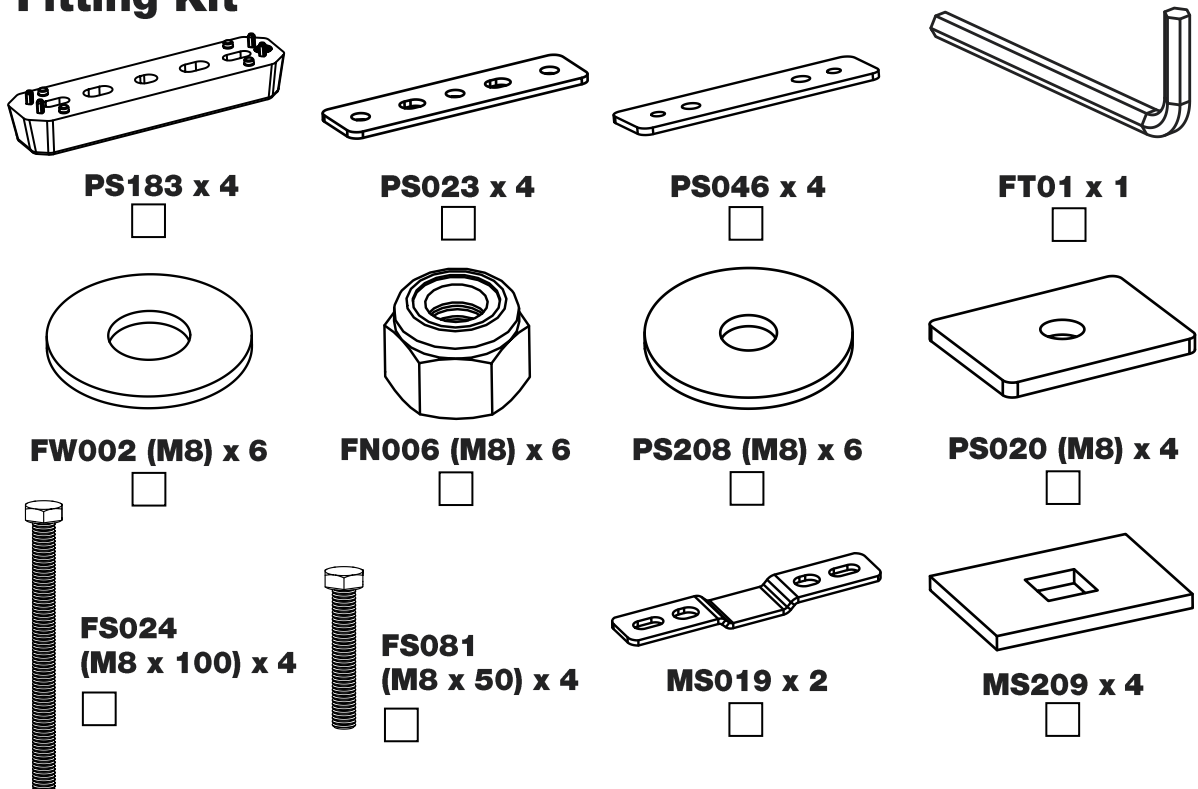
### KammBar Pro



### KammBar Fleet

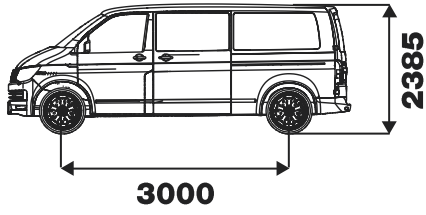


### Fitting Kit

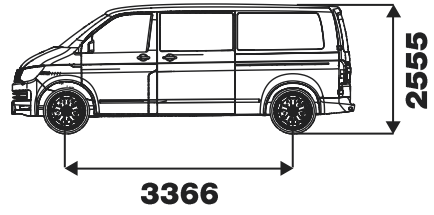




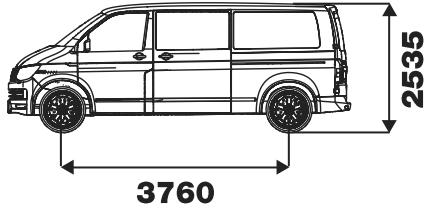
**L1/H1 = 1-4, 17-33.**



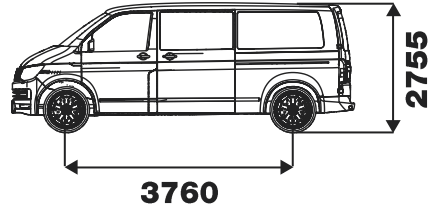
**L2/H2 = 5-10, 17-33.**



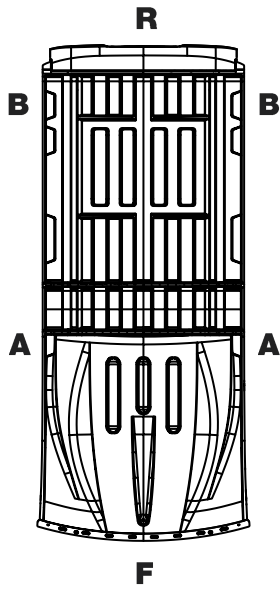
**L3/H2 = 11-33.**



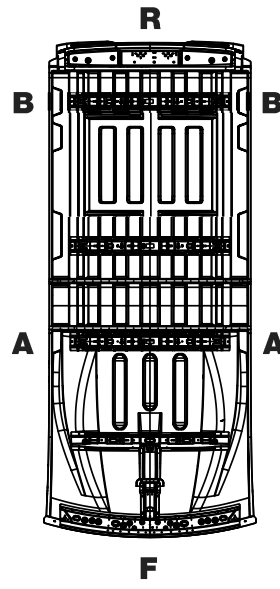
**L3/H3 = 11-33.**



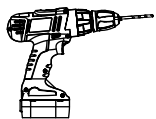
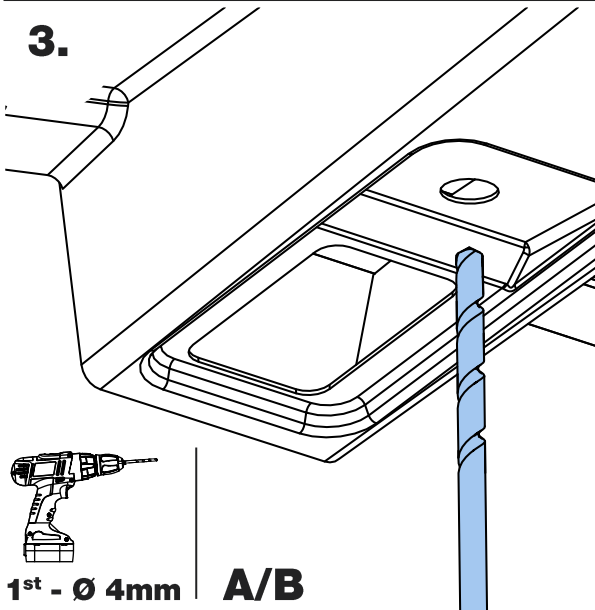
**1.**



**2.**

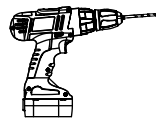
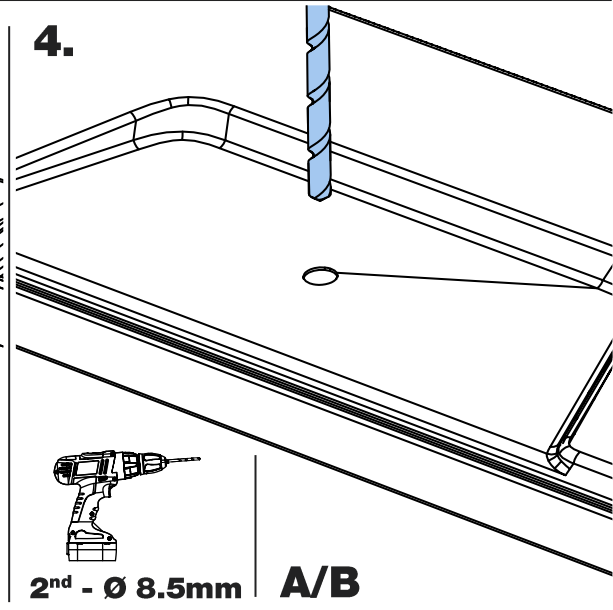


**3.**

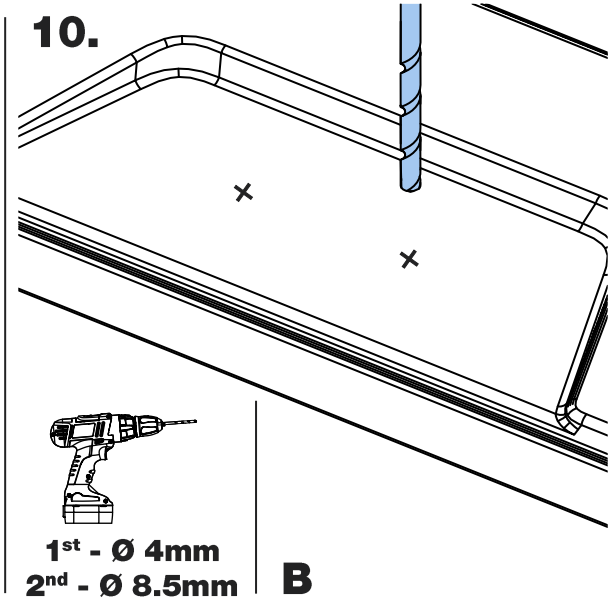
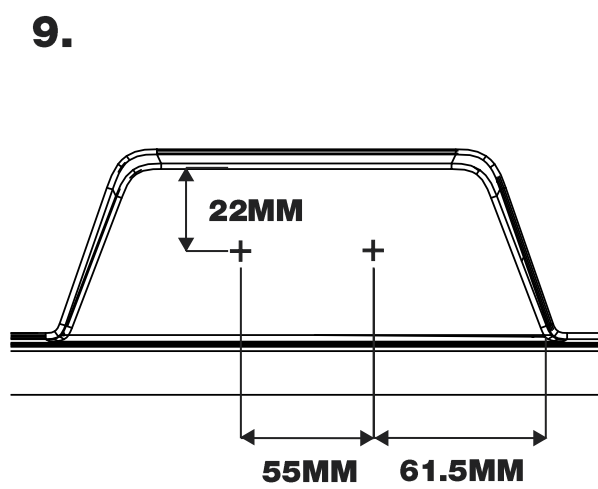
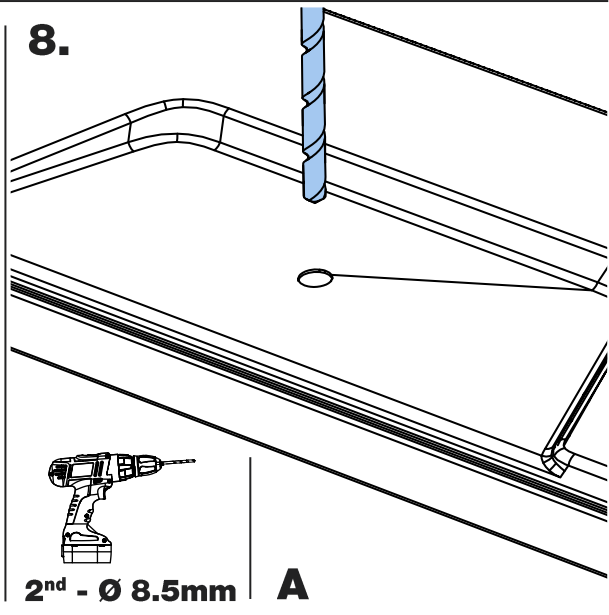
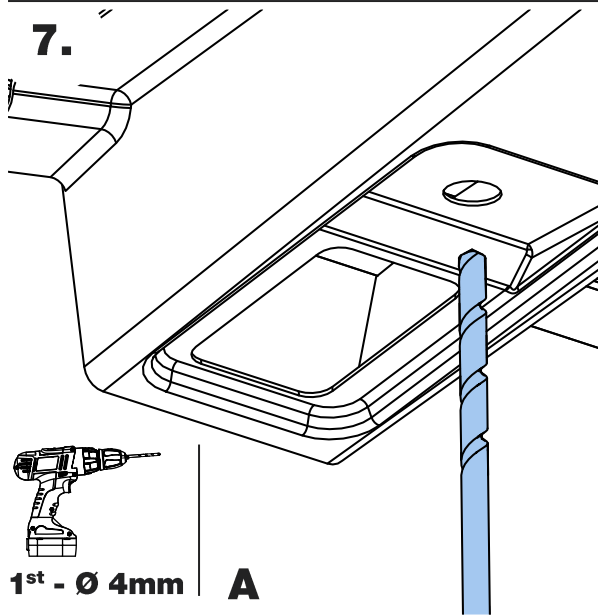
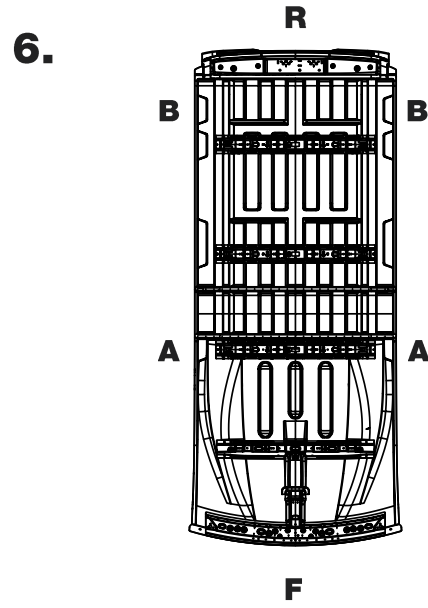
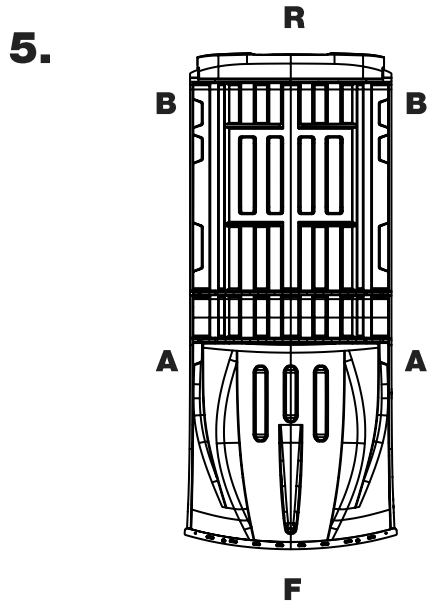


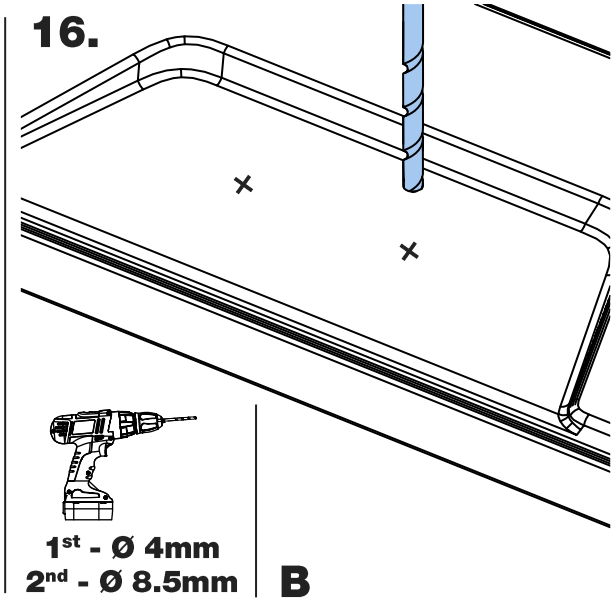
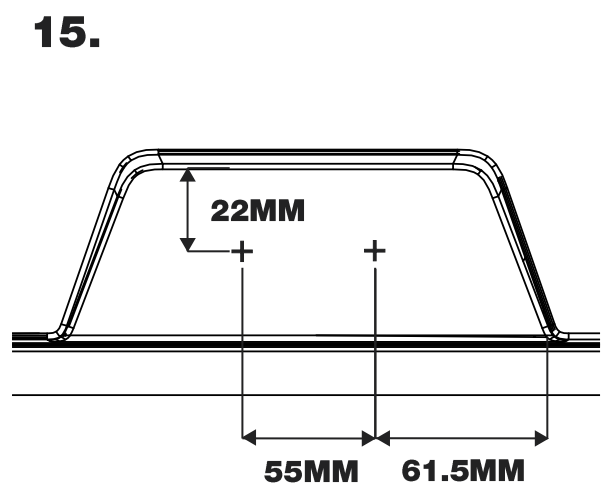
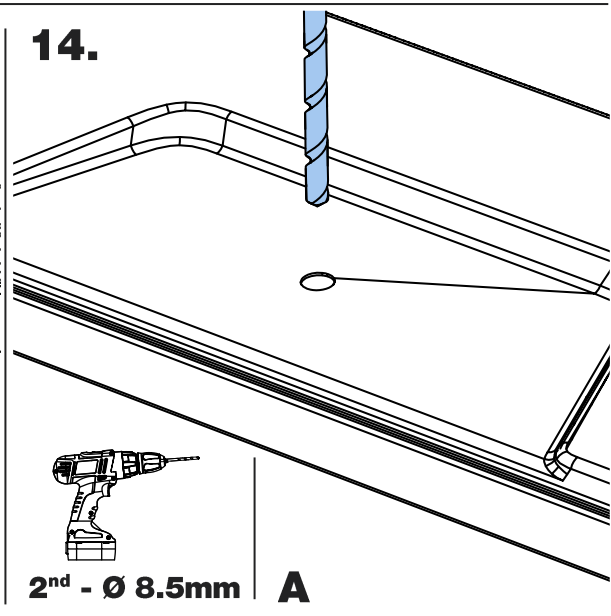
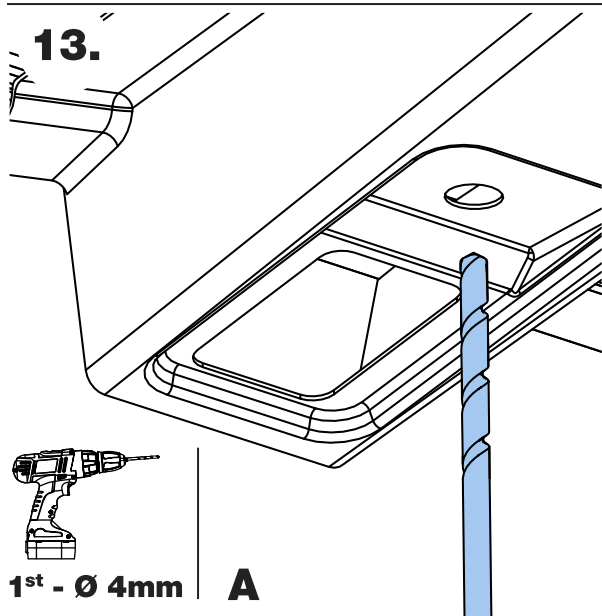
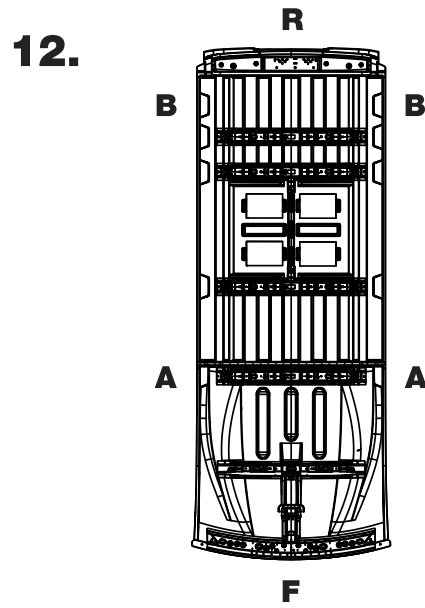
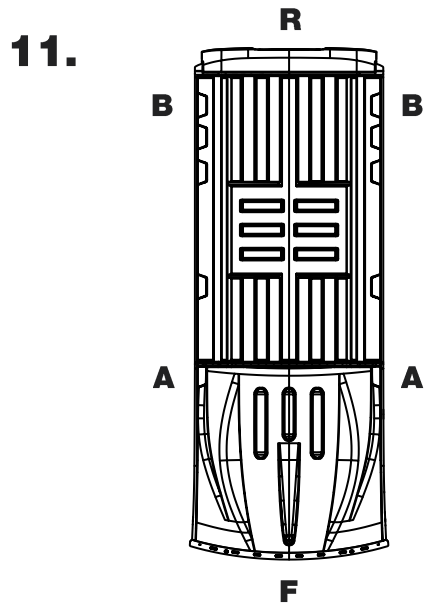
**1<sup>st</sup> - Ø 4mm A/B**

**4.**

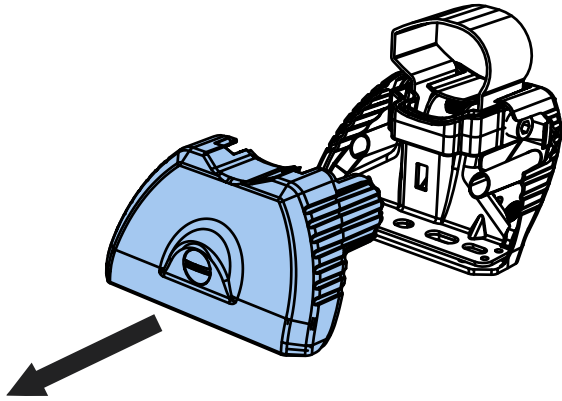


**2<sup>nd</sup> - Ø 8.5mm A/B**

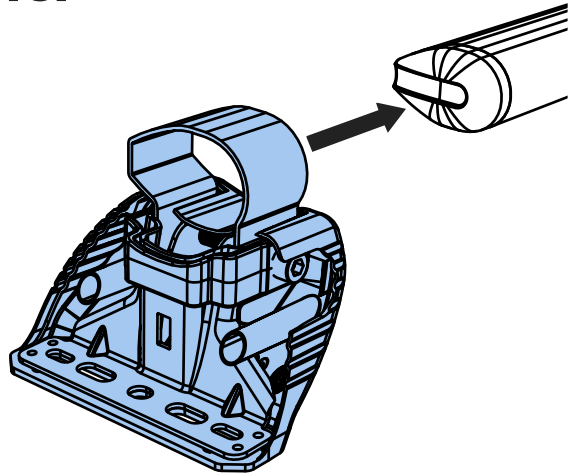




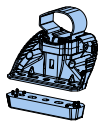
17.



18.

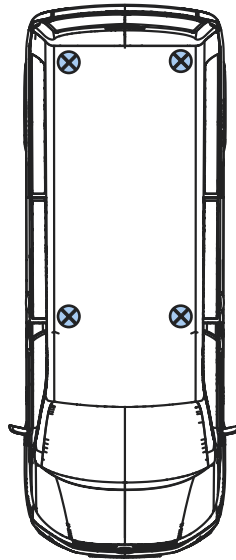
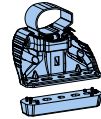


19.



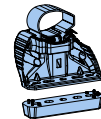
SA397/SA417  
PS183

SA398/SA418  
PS183



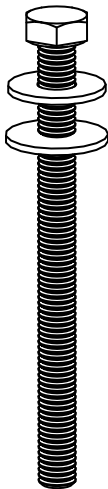
SA397/SA417  
PS183

SA398/SA418  
PS183



20.

FW002  
PS208  
FS024



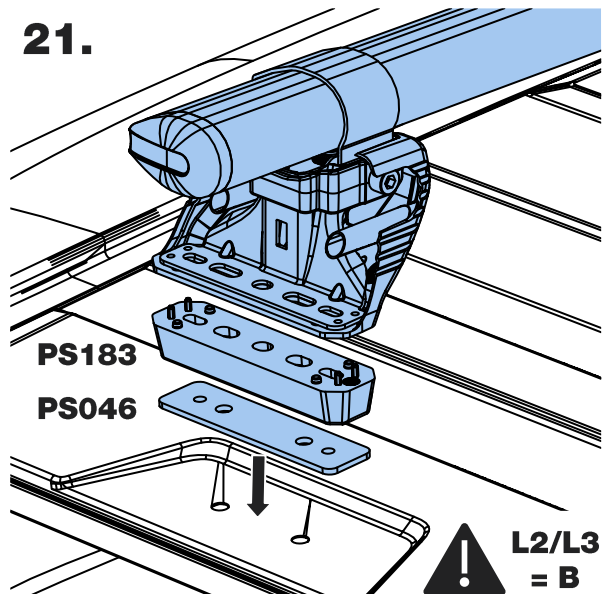
M8 x 100mm



M8 x 50mm

FW002  
PS208  
FS081

21.



! L2/L3  
= B

