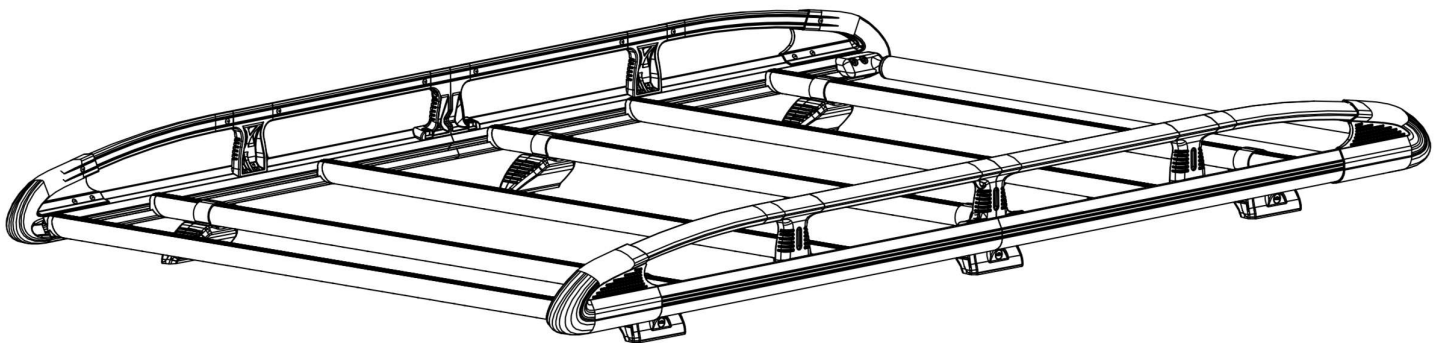


# XC4KR

# KammRack

## Instructions

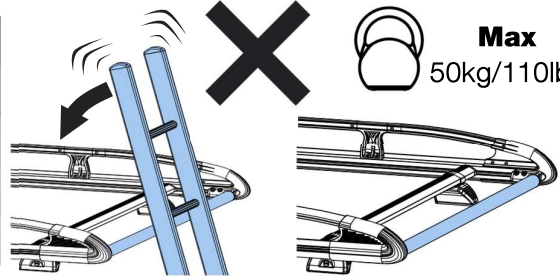
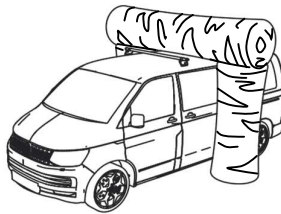
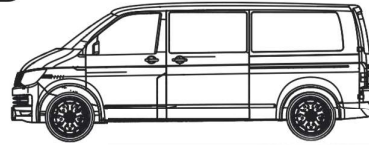


**CITY CRASH** (✓)

According to ISO/ PAS 11154:2006

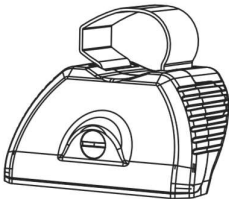
**XC4KR:**

**Saic** Maxus Deliver 9 2020-

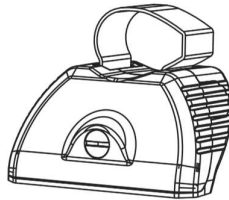


**Max**  
50kg/110lbs

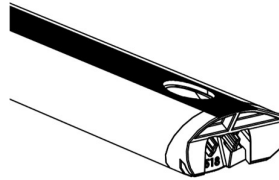
**KammRack**



**SA397U x 4**



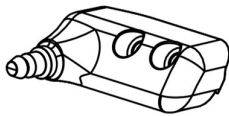
**SA398U x 4**



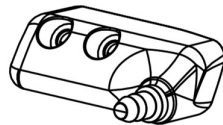
**SA430**



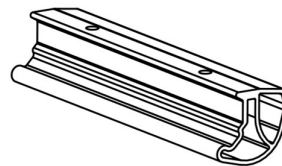
**C04 x 8**  
\*optional upgrade\*



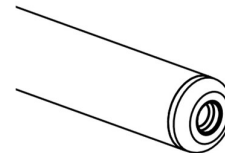
**PS519 x 1**



**PS520 x 1**



**EXT15-02**

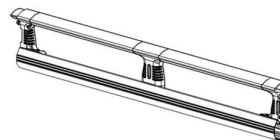
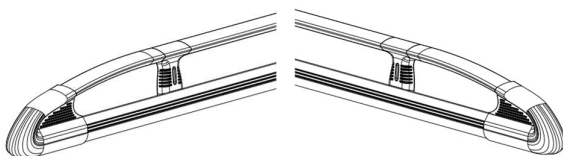


**SA438 x 1**

**LHS x 2**

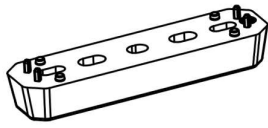
**RHS x 2**

**Centre x 2**  
**(L3, H2 Only)**

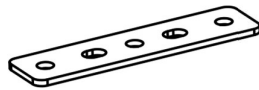


**ASF x 1**

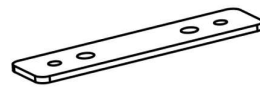
# Fitting Kit



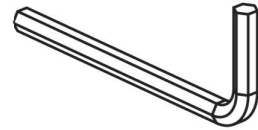
**PS183 x 8**



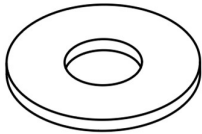
**PS023 x 8**



**PS046 x 4**



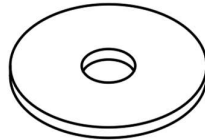
**FT01 x 1**



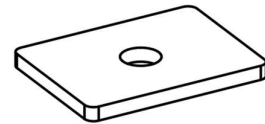
**FW002 (M8) x 10**



**FN006 (M8) x 10**



**PS208 (M8) x 10**



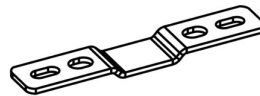
**PS020 (M8) x 6**



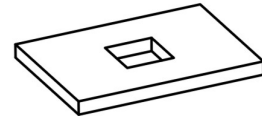
**FS024  
(M8 x 100) x 6**



**FS081  
(M8 x 50) x 4**



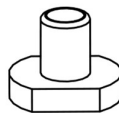
**MS019 x 2**



**MS209 x 6**



**FS018  
(M8 x 25) x 20**

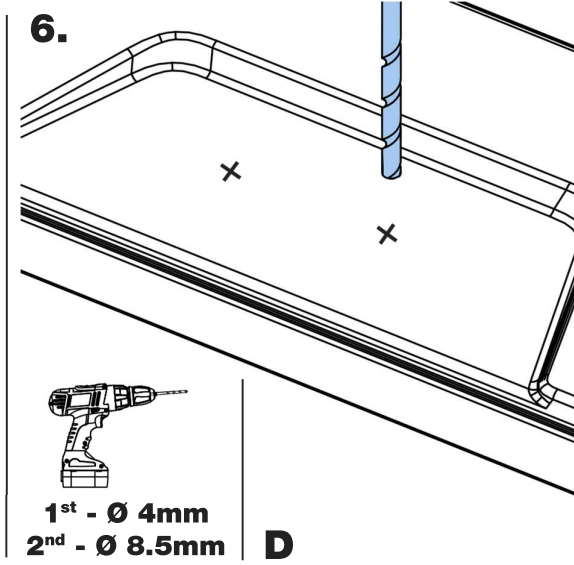
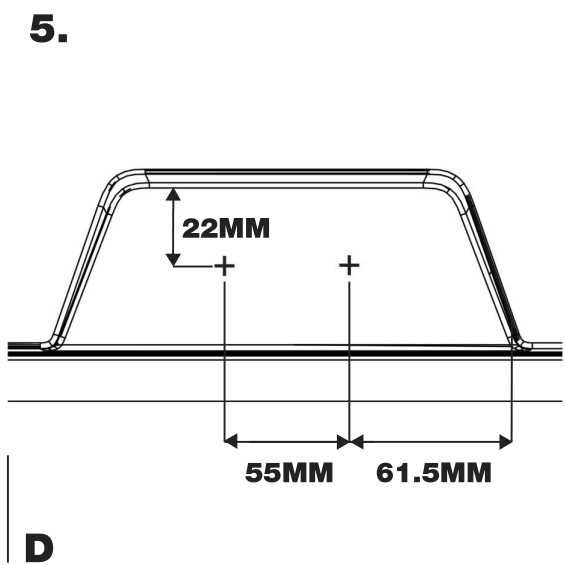
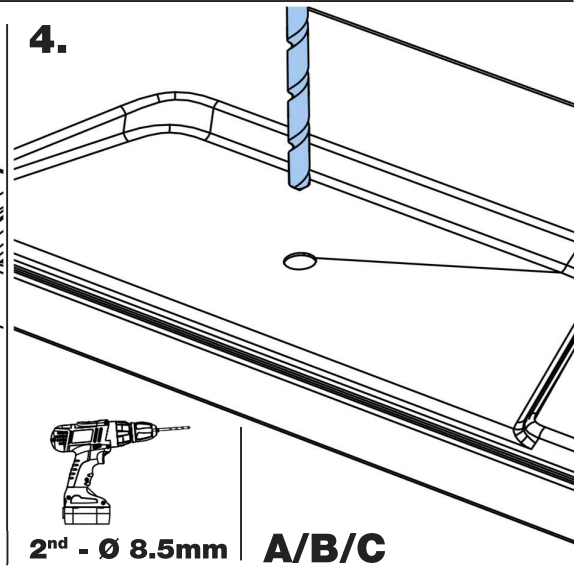
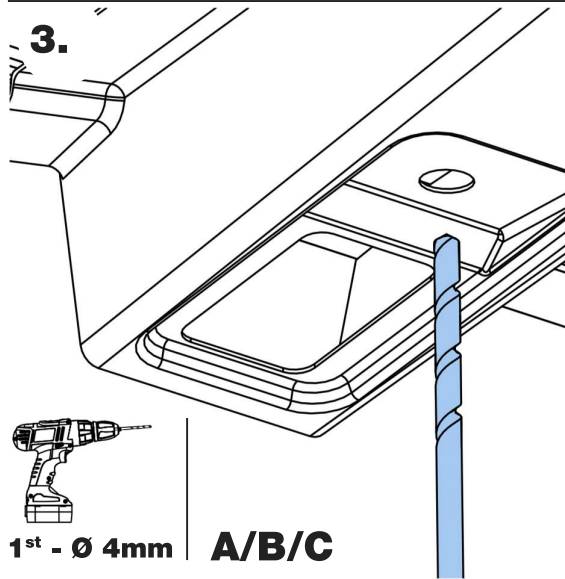
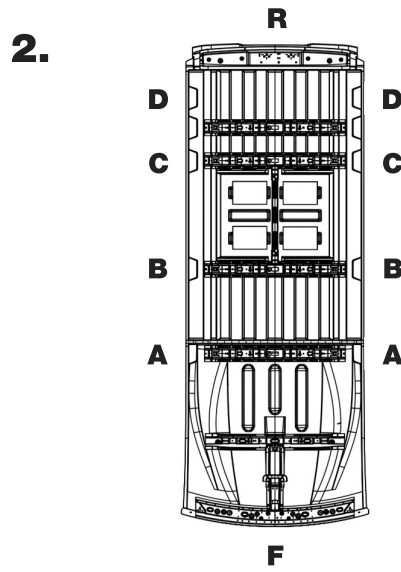
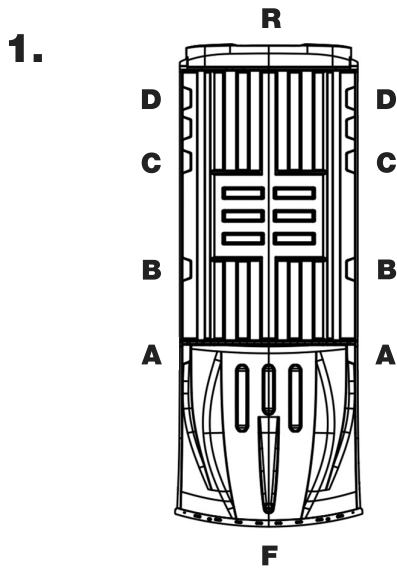


**FN085 x 20**

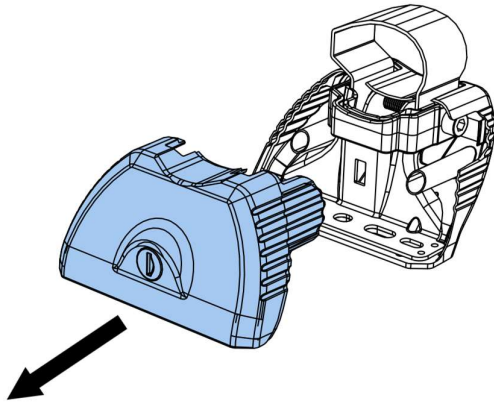


**FT05 x 1**

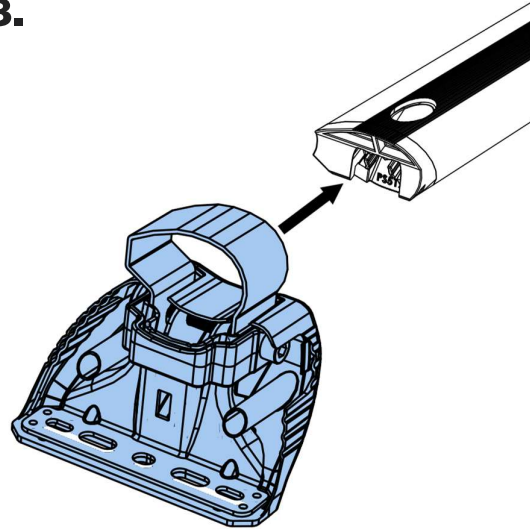




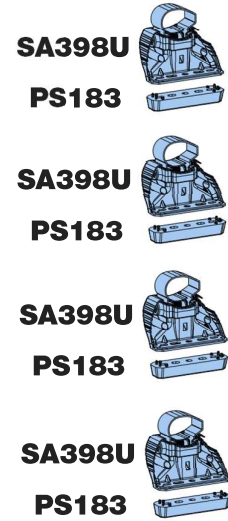
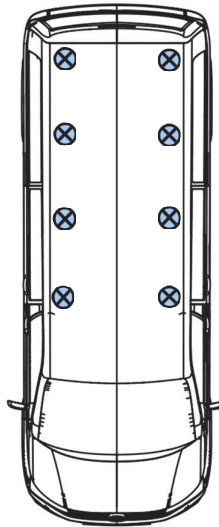
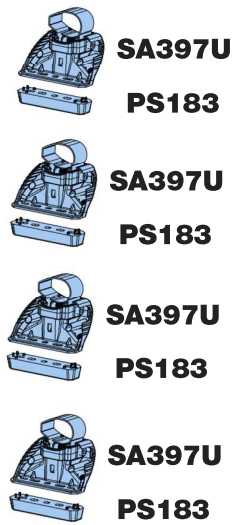
7.



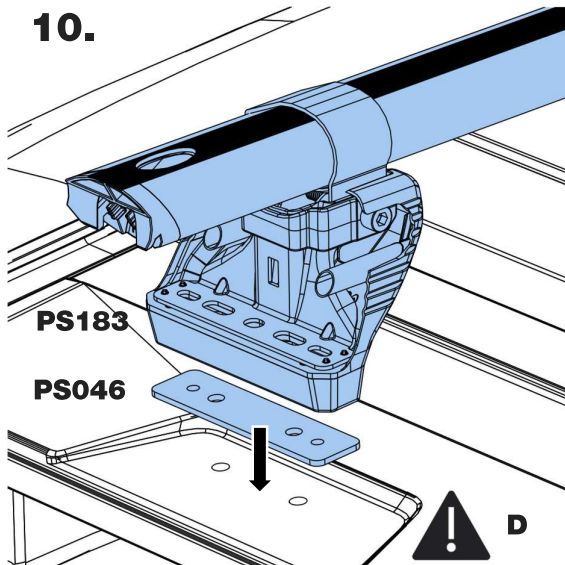
8.



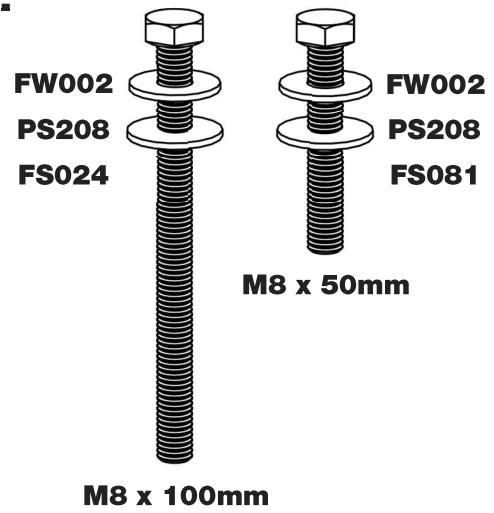
9.

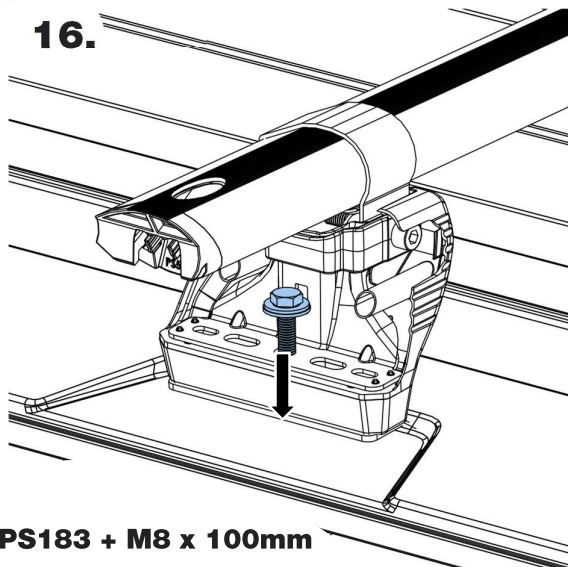
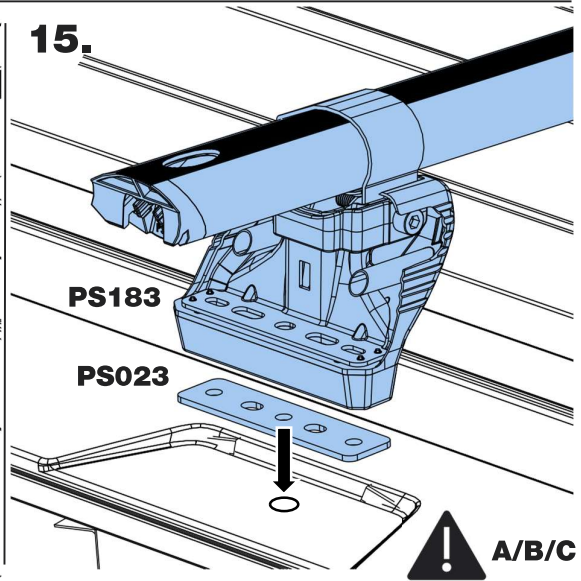
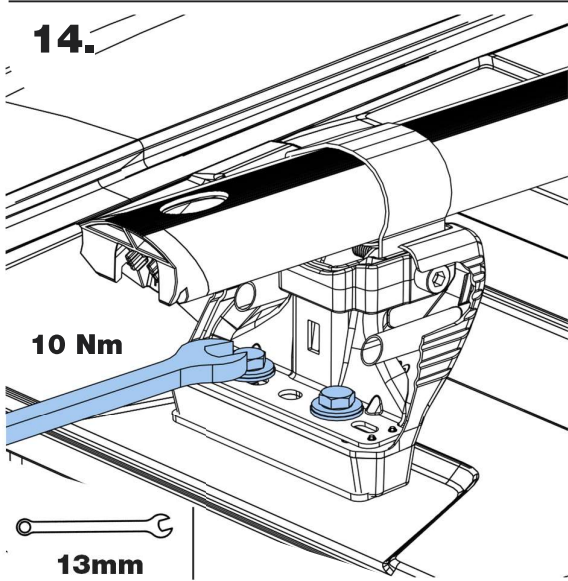
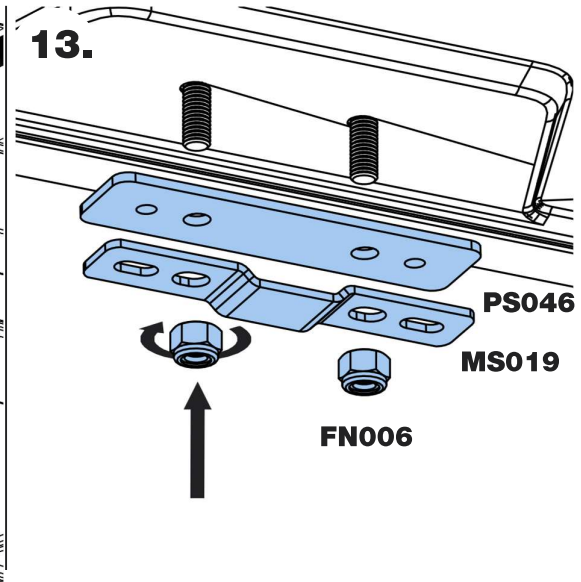
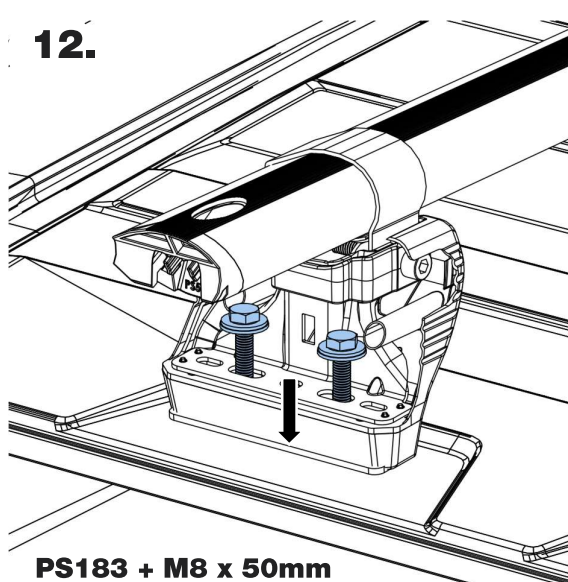


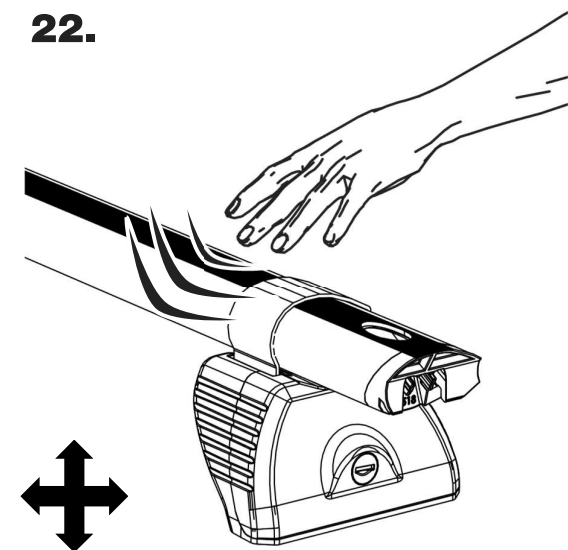
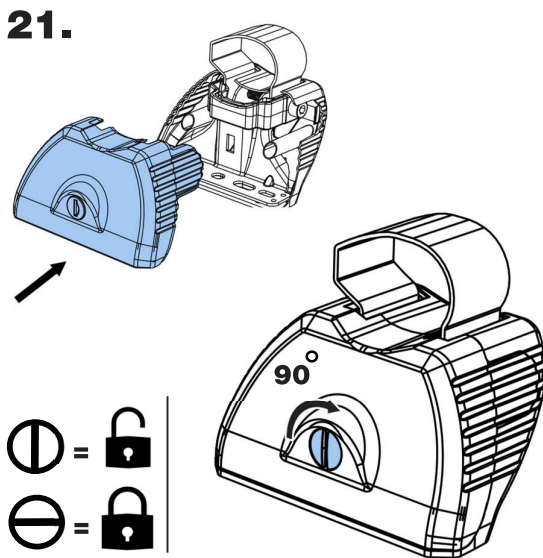
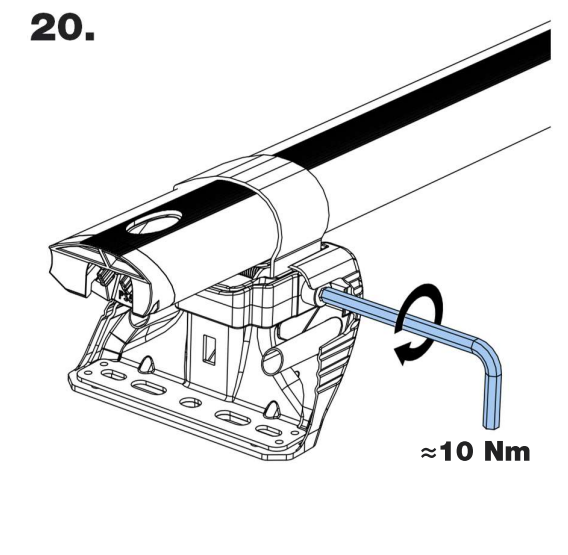
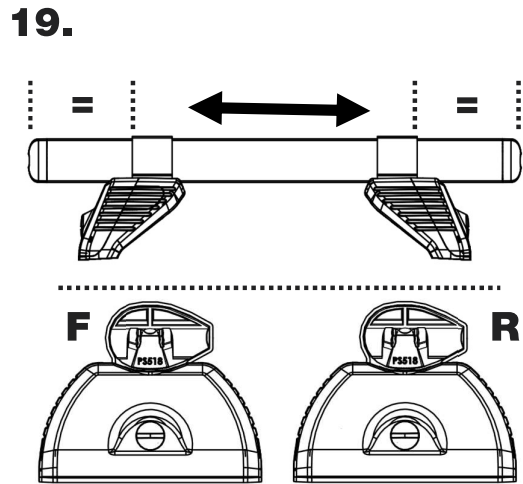
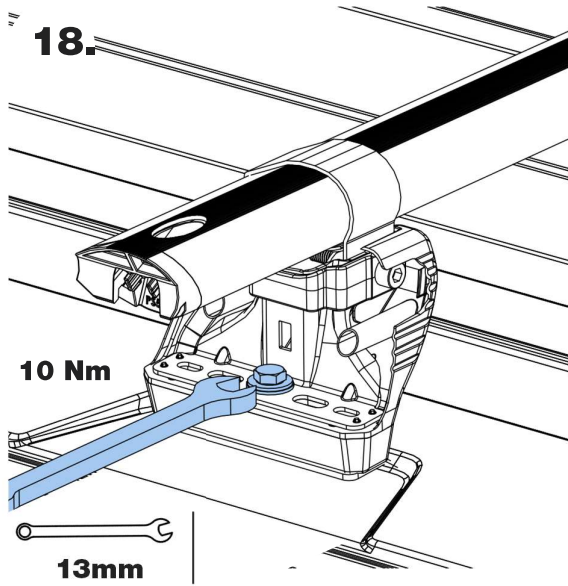
10.



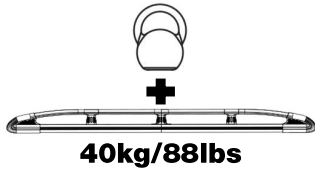
11.



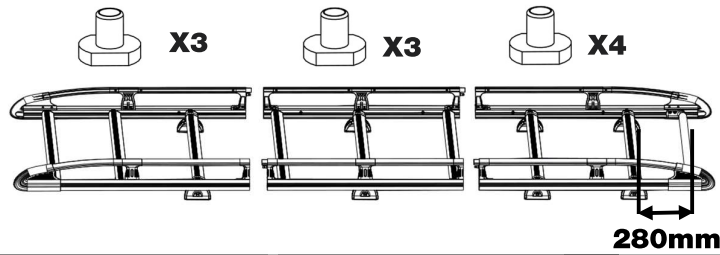
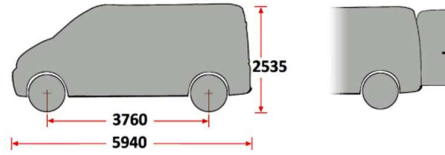




## K678- Saic, Maxus, Deliver 9, 2020- L3, H2, Twin Doors

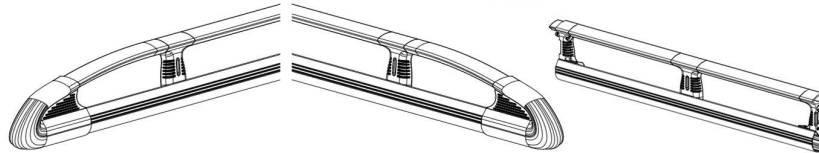


75kg Max

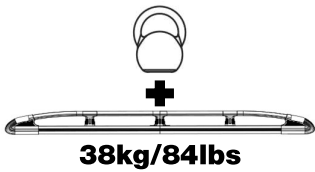


Steps 23-44, 61-70  

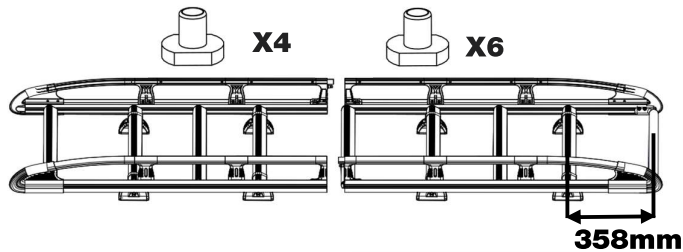
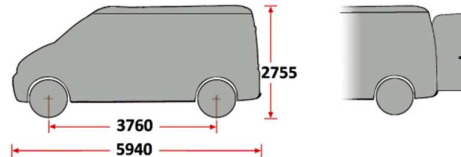
**A**



## K679- Saic, Maxus, Deliver 9, 2020- L3, H3, Twin Doors

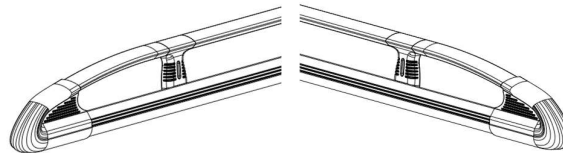


75kg Max



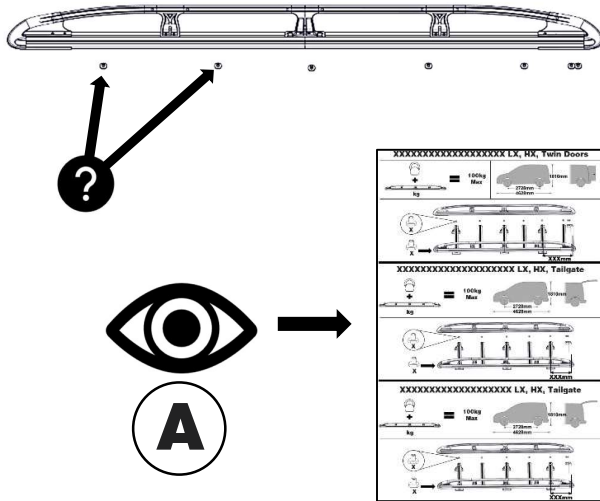
Steps 45-70  

**B**

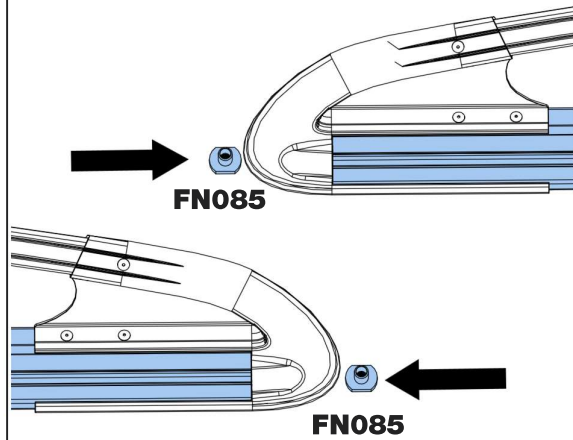




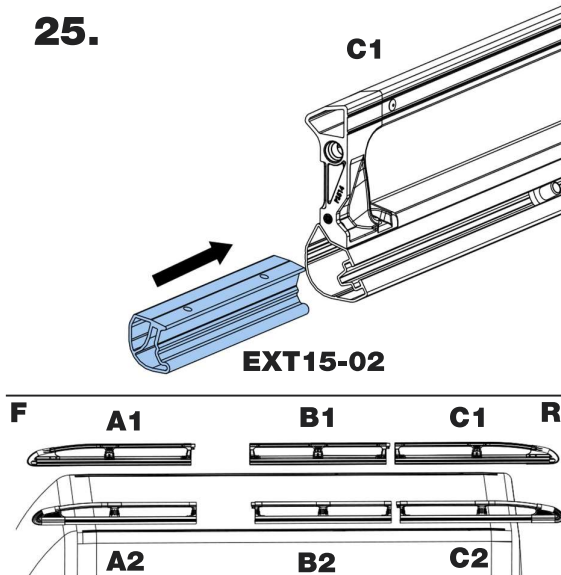
23.



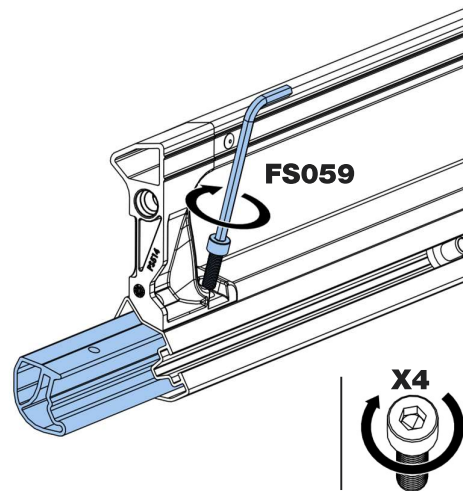
24.



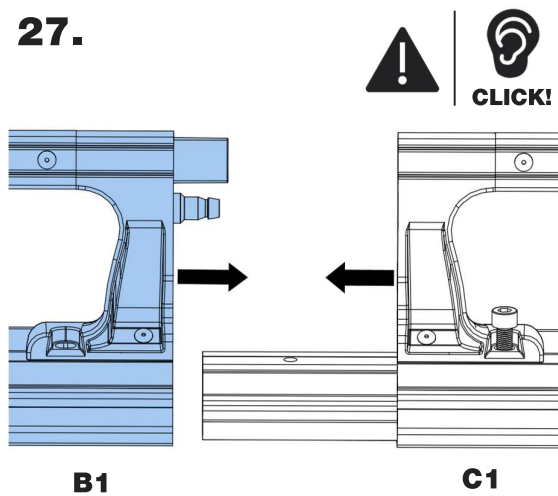
25.



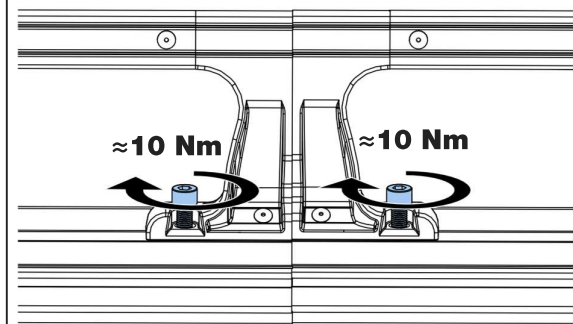
26.



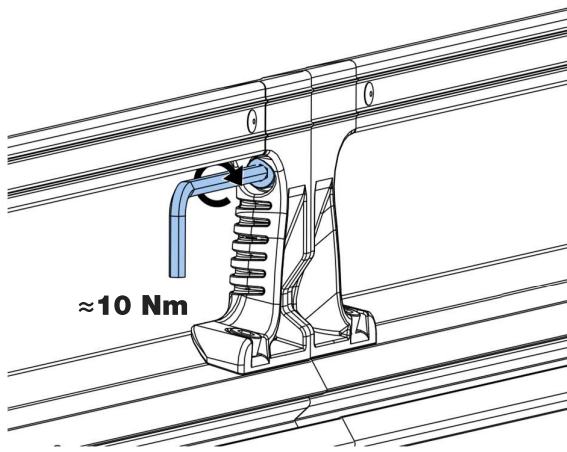
27.



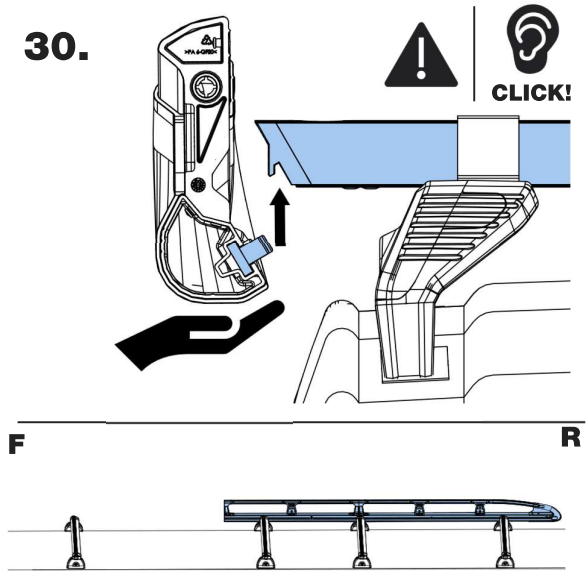
28.



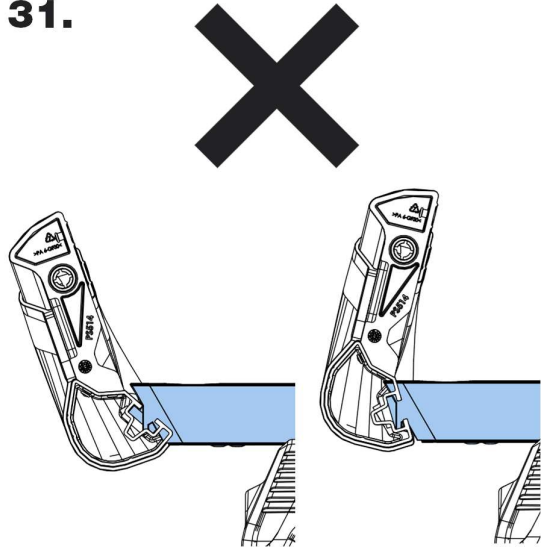
29.



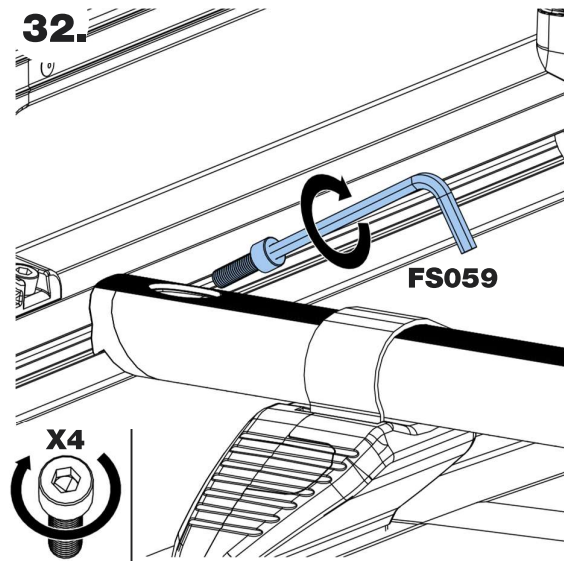
30.



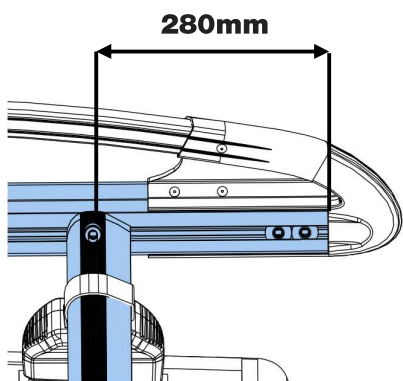
31.



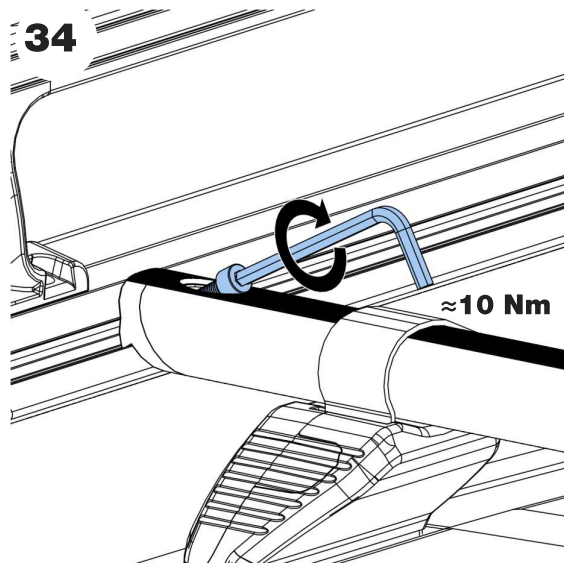
32.



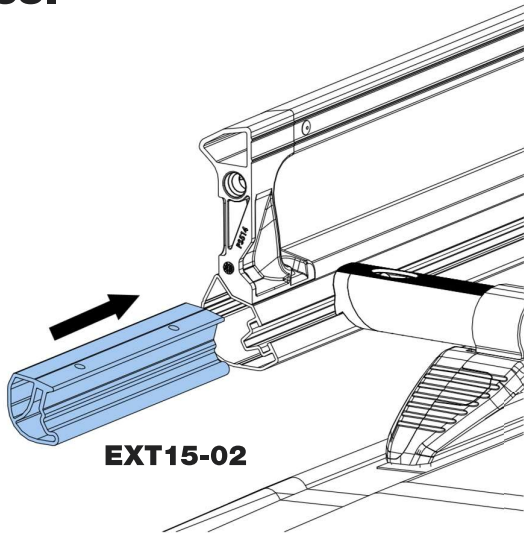
33.



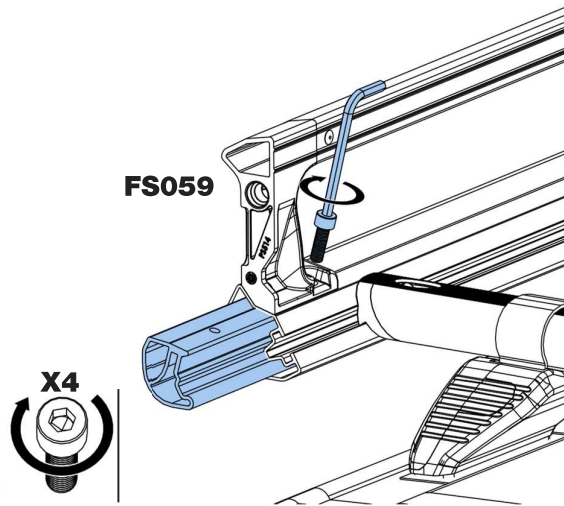
34.



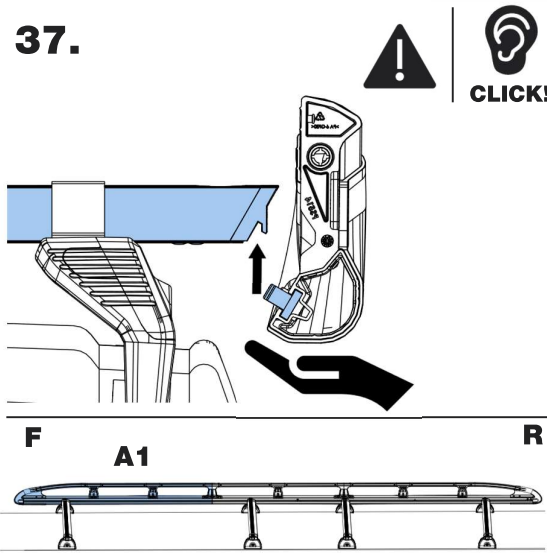
35.



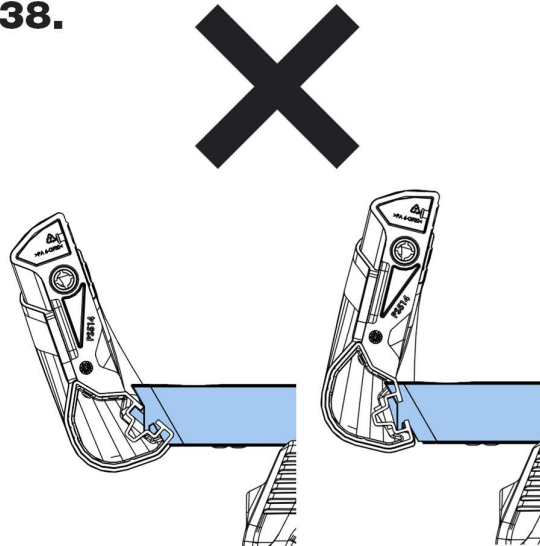
36.



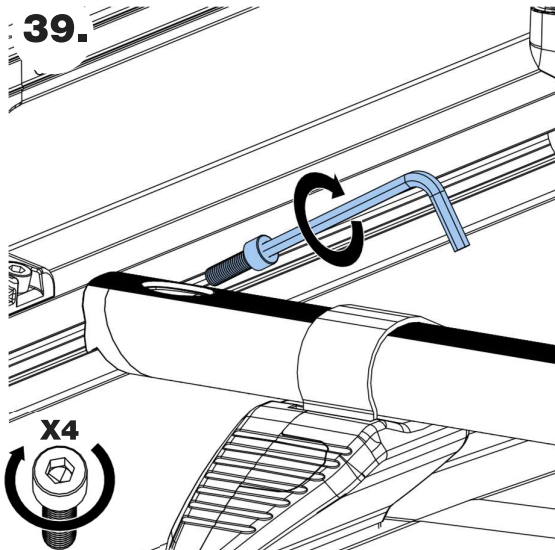
37.



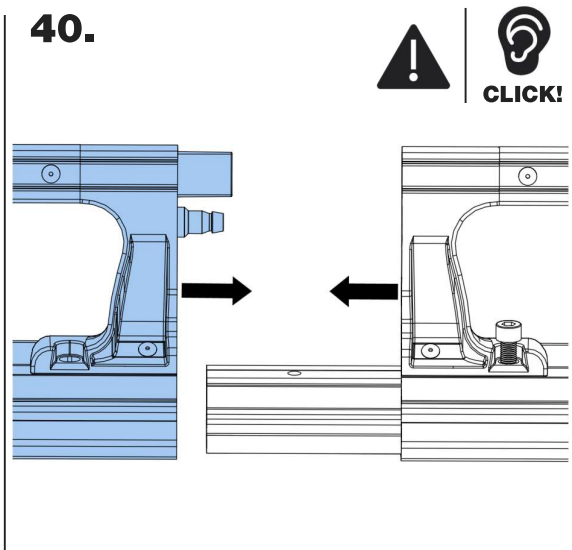
38.



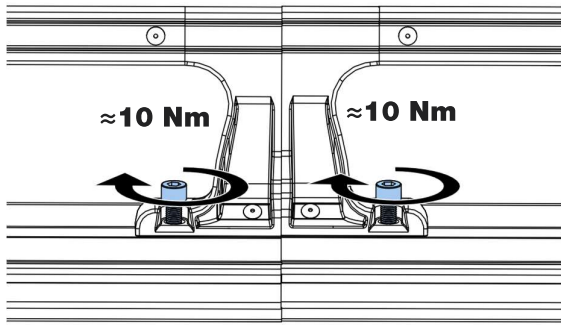
39.



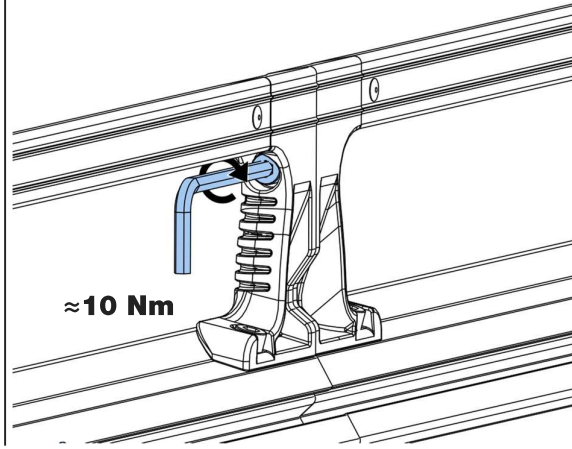
40.



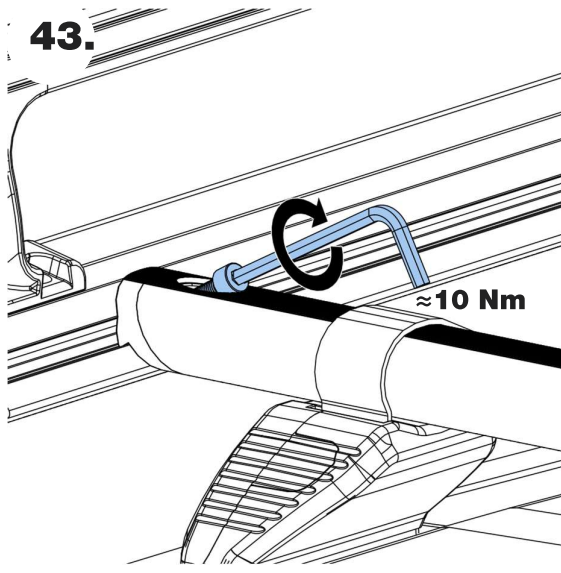
41.



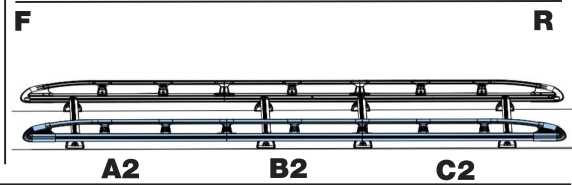
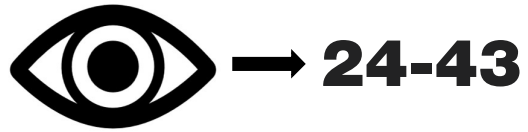
42.



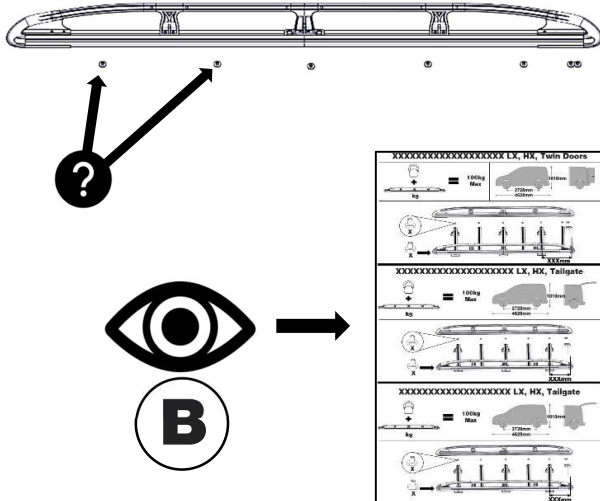
43.



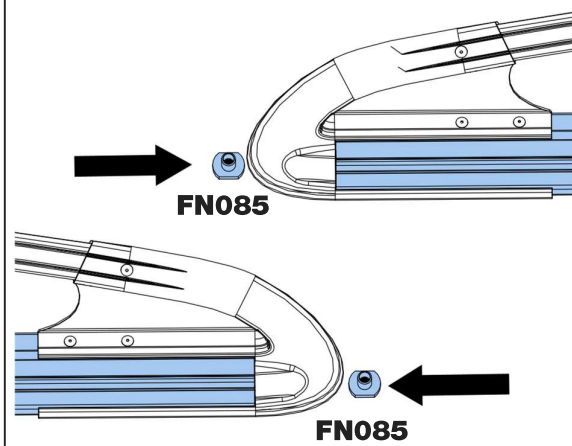
44.

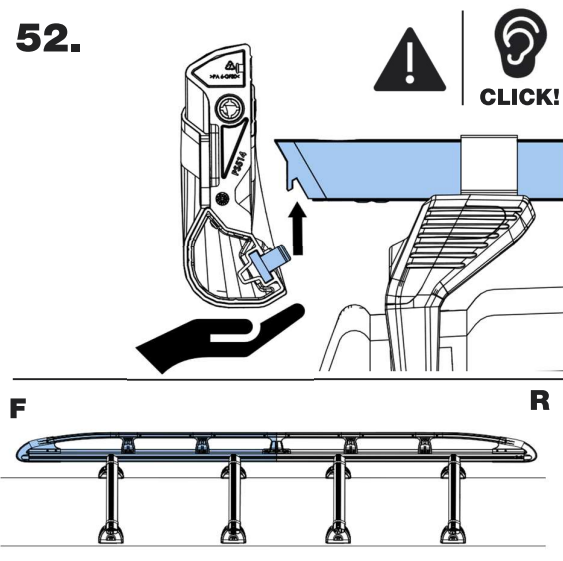
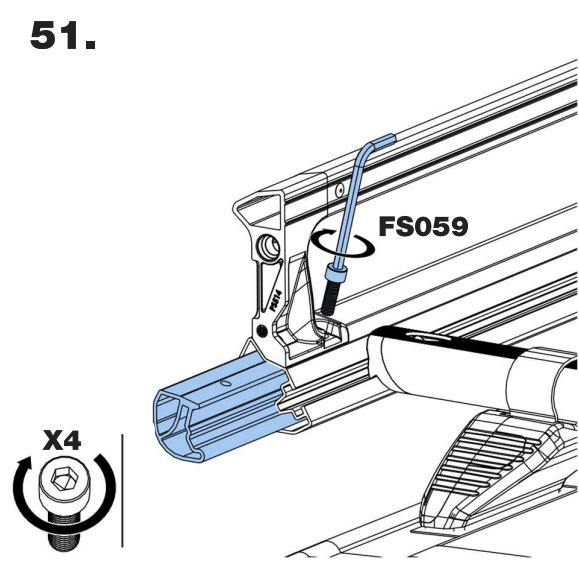
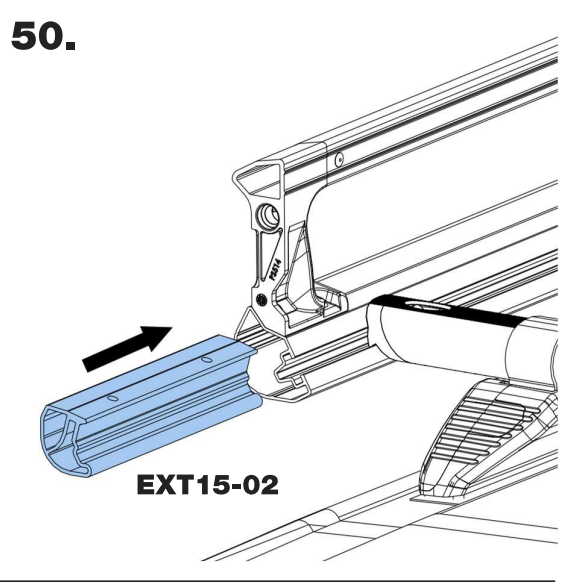
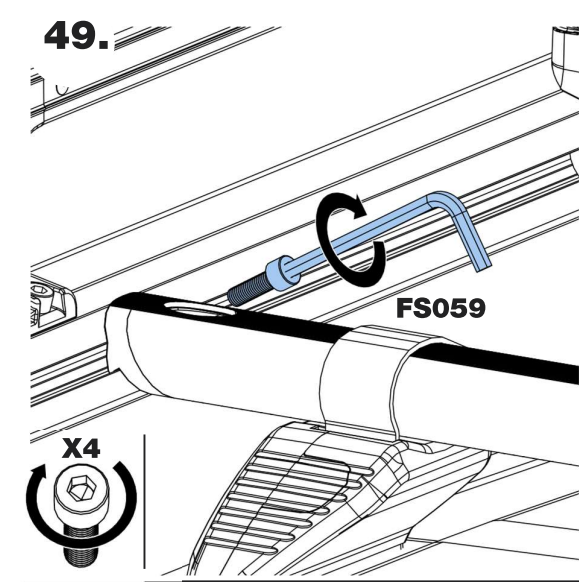
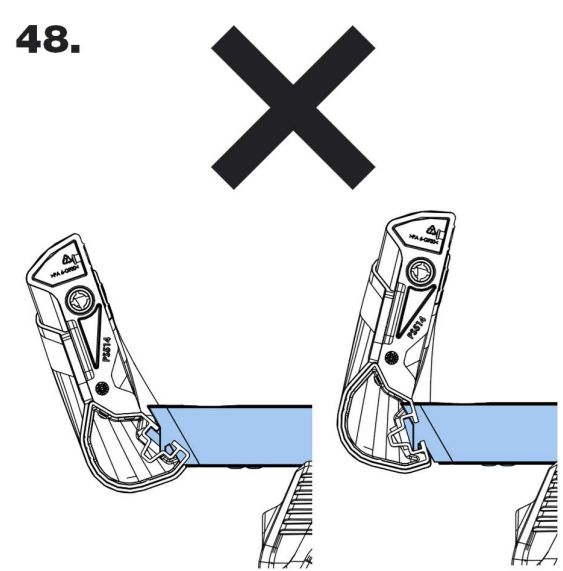
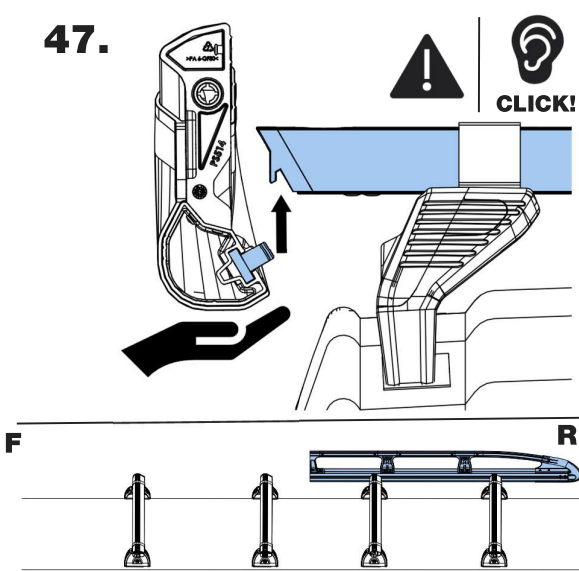


45.

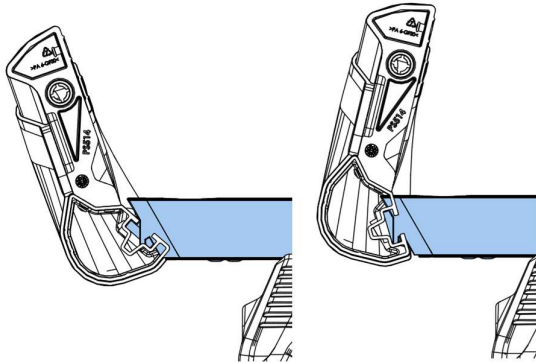


46.

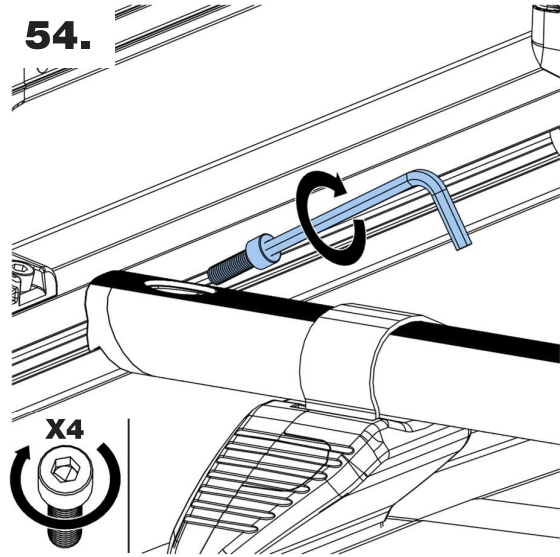




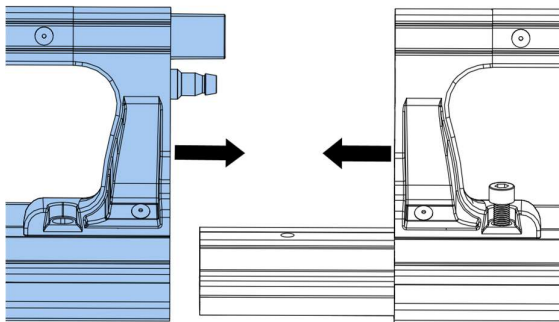
53.



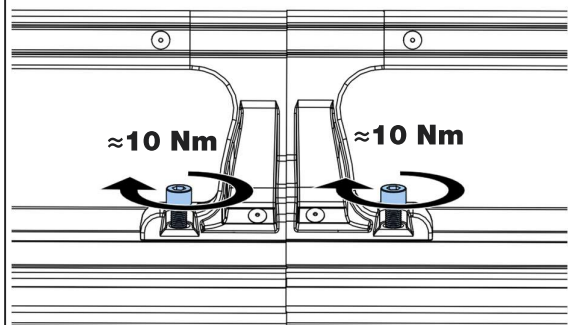
54.



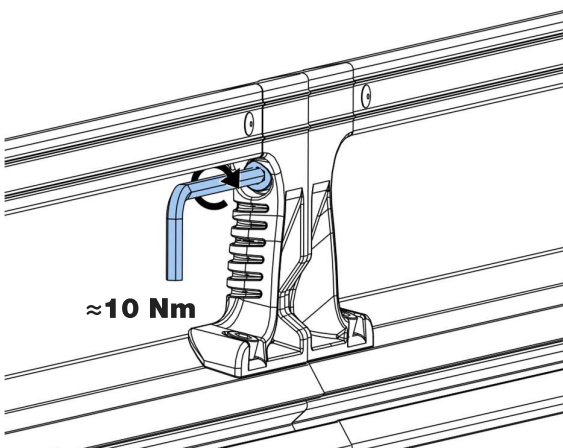
55.



56.



57.



58.

