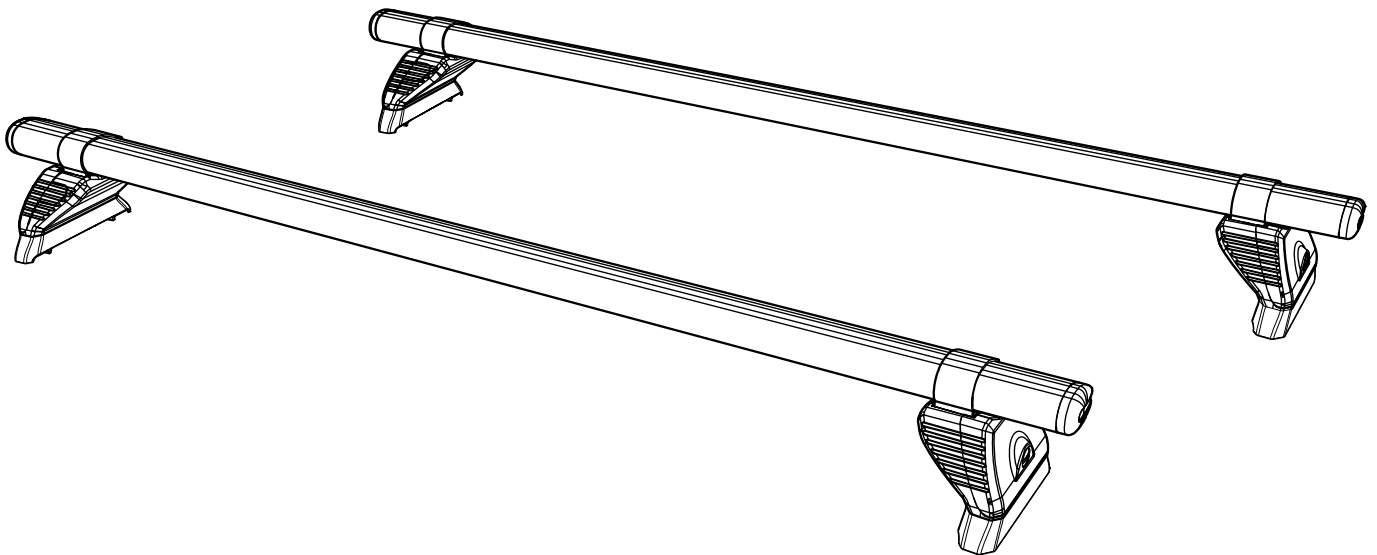


XD2PR/FL

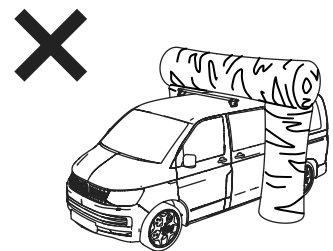
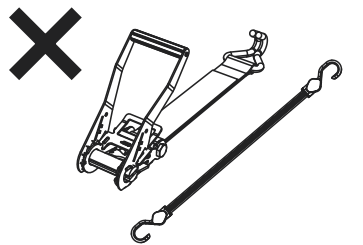
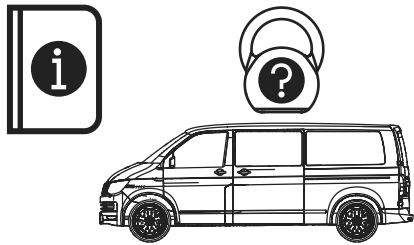
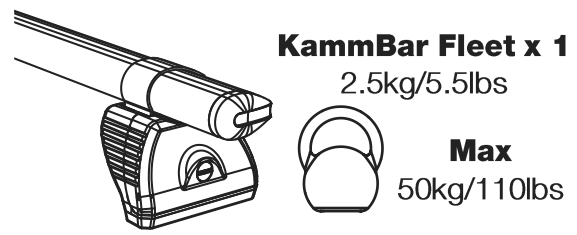
KammBar

Instructions

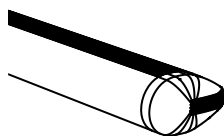


CITY CRASH (✓)

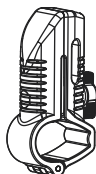
According to ISO/ PAS 11154:2006



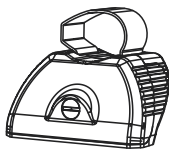
KammBar Pro



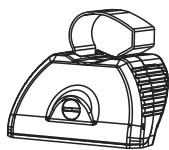
SA420 x 2



SA070 x 4

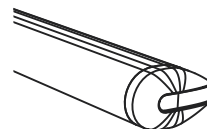


SA397 x 2

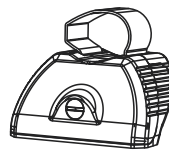


SA398 x 2

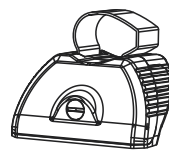
KammBar Fleet



SA394 x 2

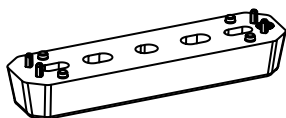


SA397 x 2

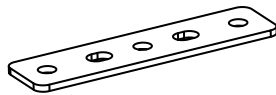


SA398 x 2

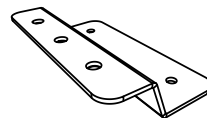
Fitting Kit



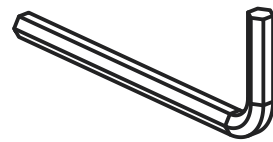
PS183 x 4



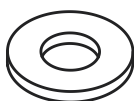
PS023 x 4



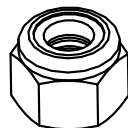
MS1132 x 4



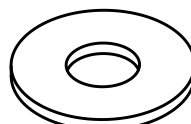
FT01 x 1



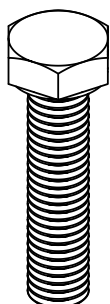
FW001 (M6) x 16



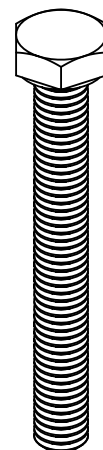
FN001 (M6) x 8



FW021 (M8) x 12

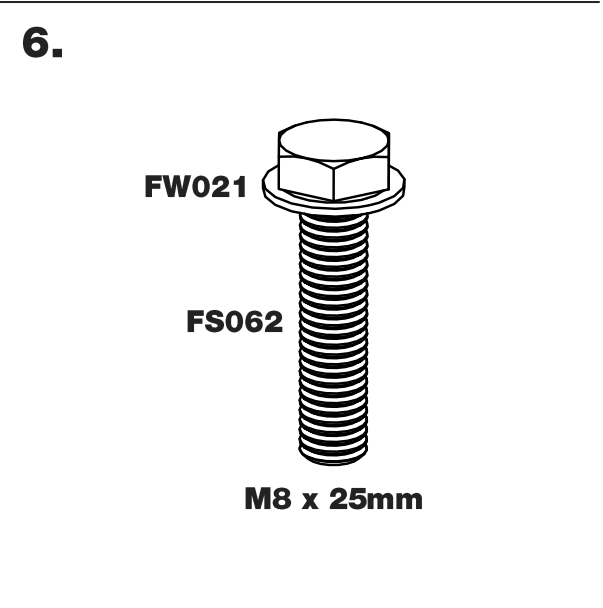
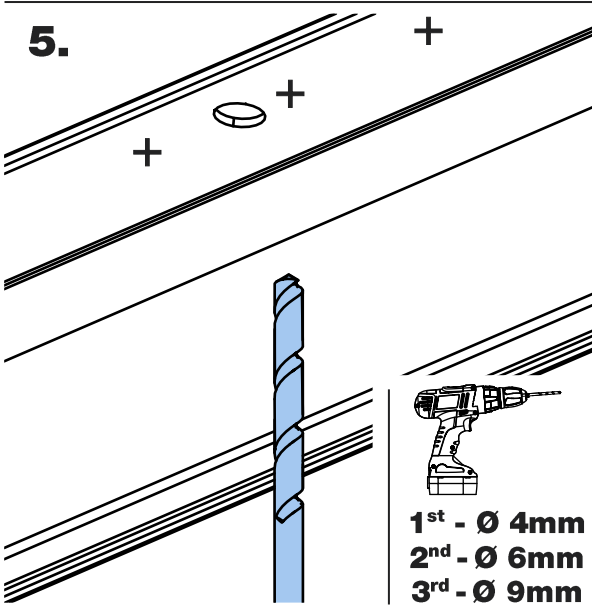
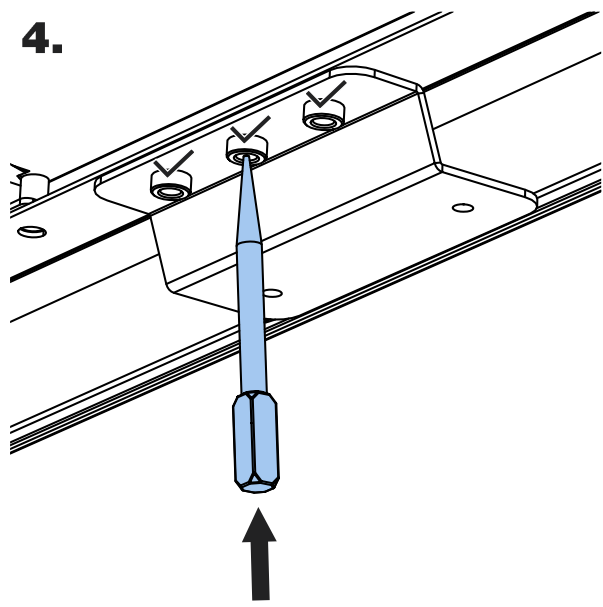
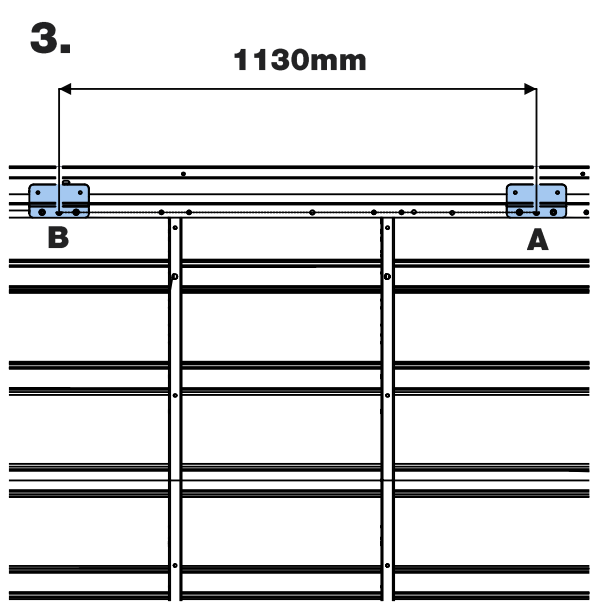
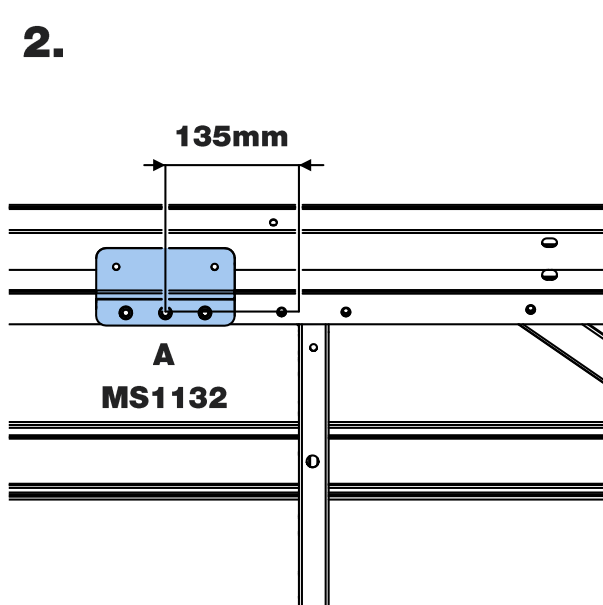
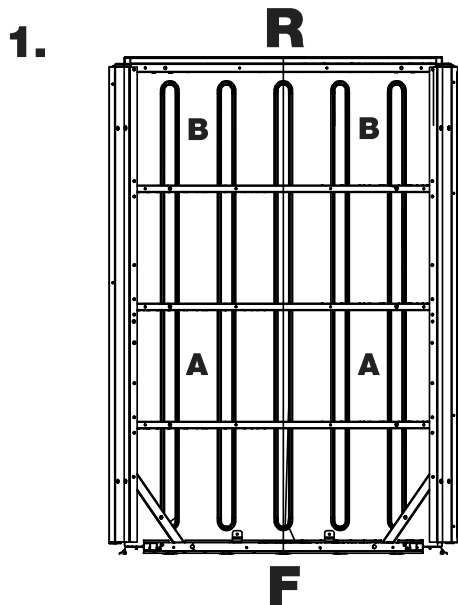


FS062
(M8 x 25)
x 12

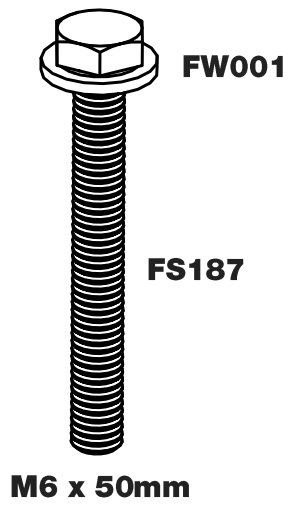


FS187
(M6 x 50)
x 8

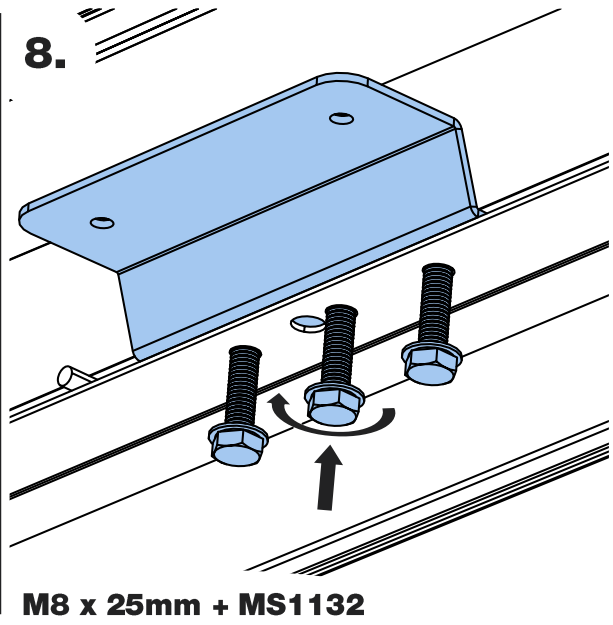




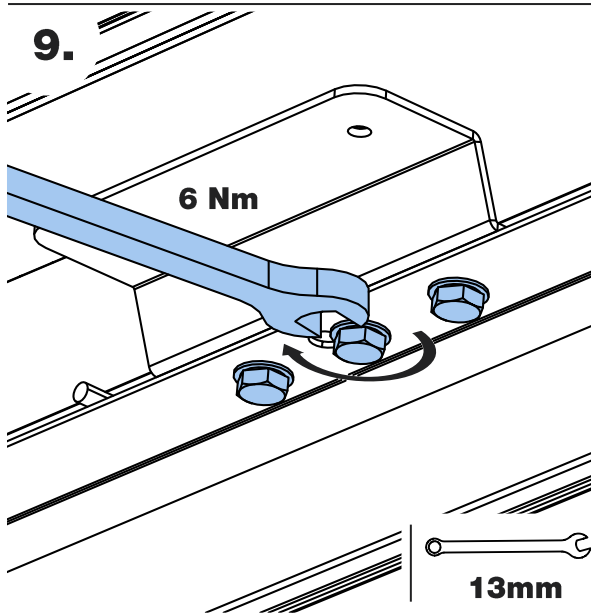
7.



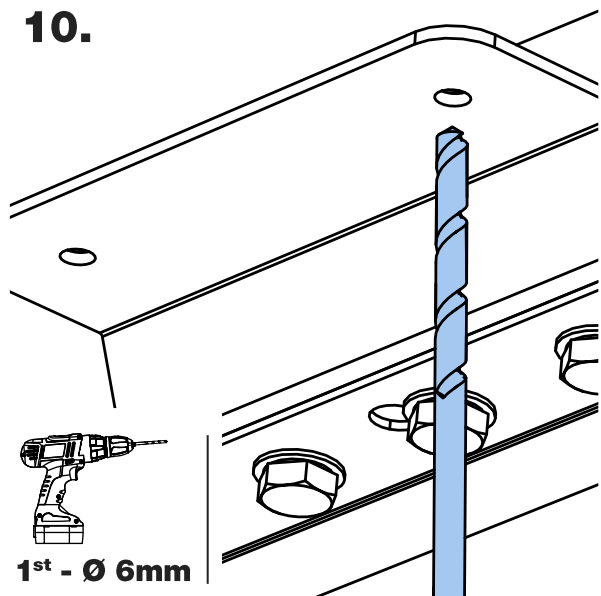
8.



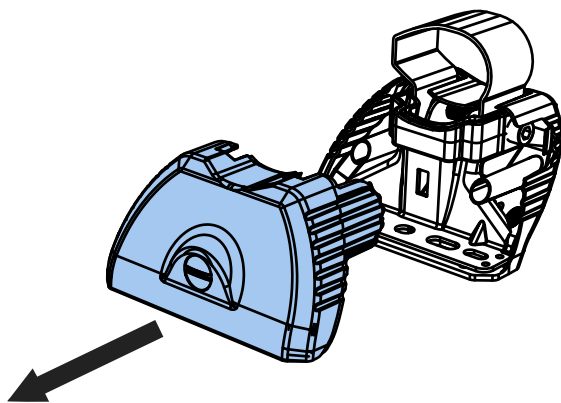
9.



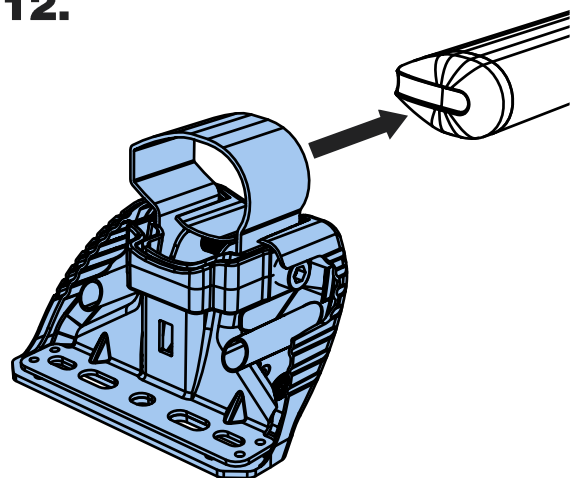
10.



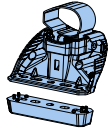
11.



12.

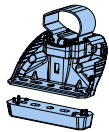
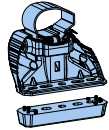


13.



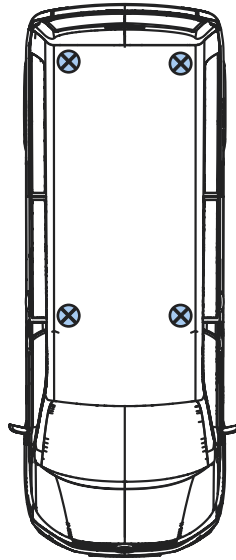
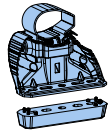
SA397
PS183

SA398
PS183

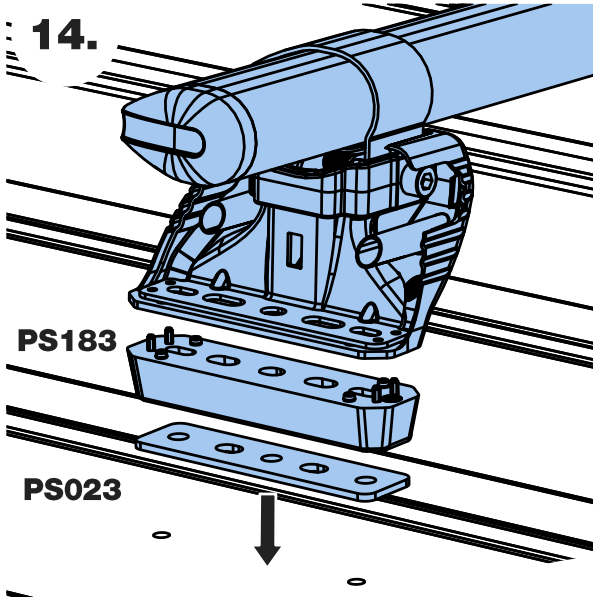


SA397
PS183

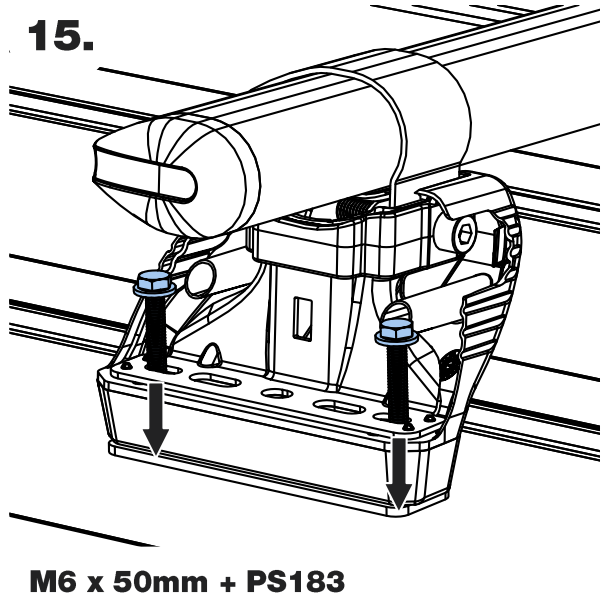
SA398
PS183



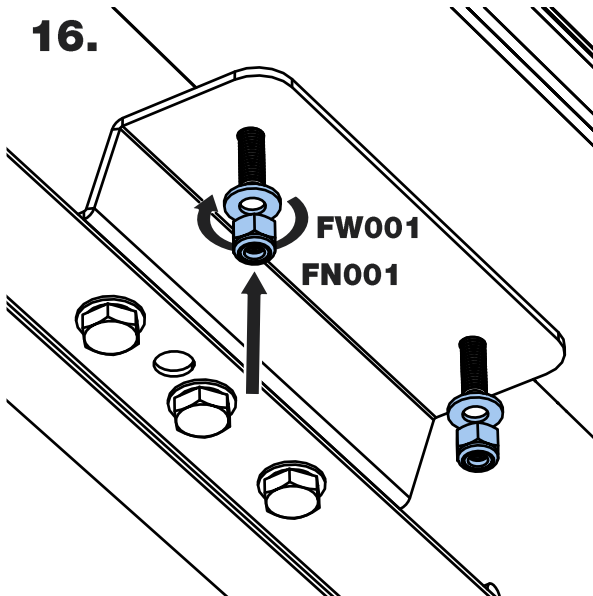
14.



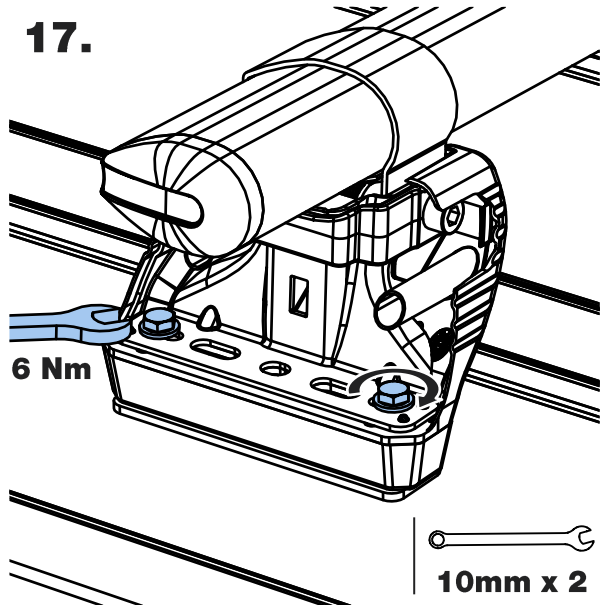
15.



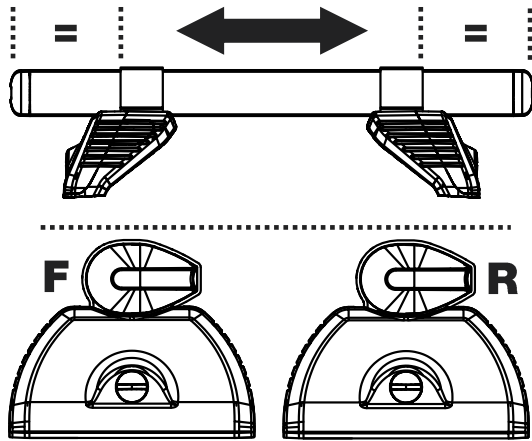
16.



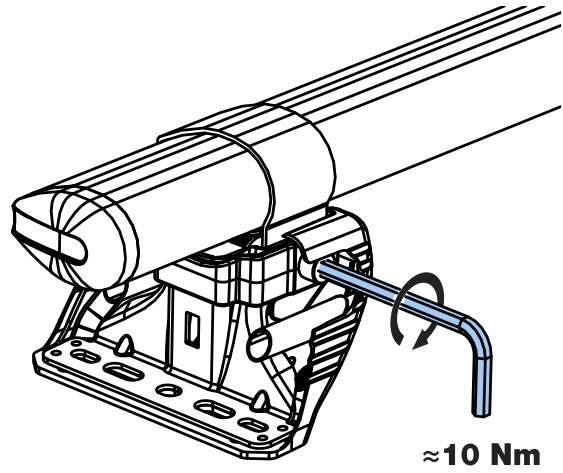
17.



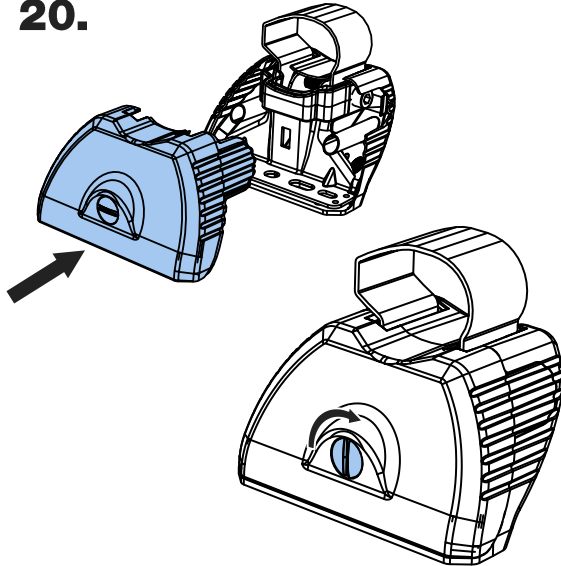
18.



19.



20.



21.

