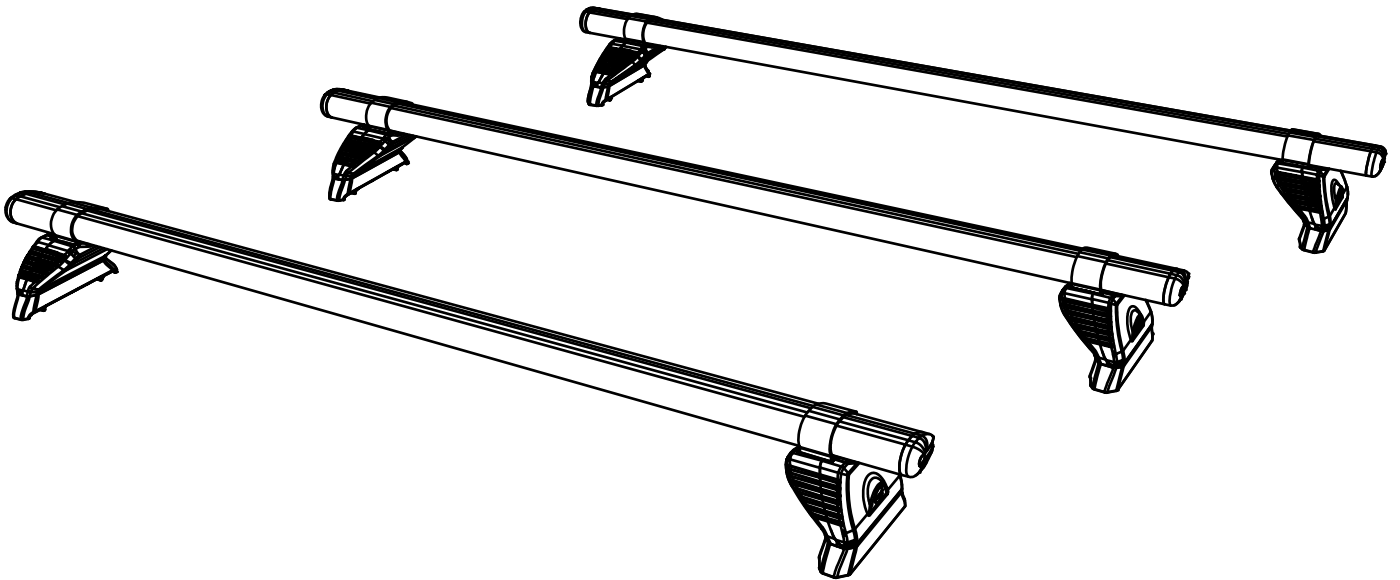


# **XD3PR/FL**

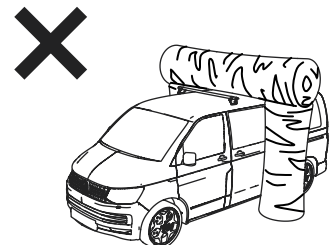
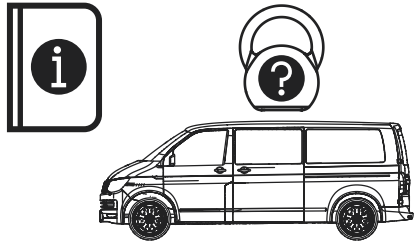
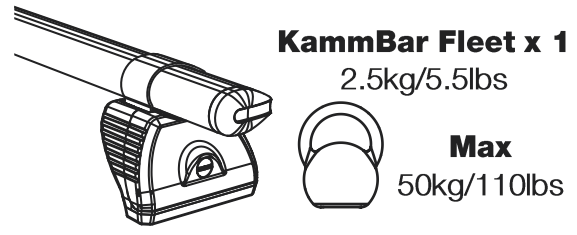
# **KammBar**

## **Instructions**

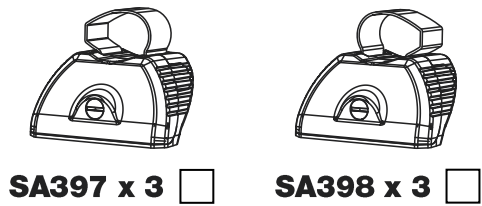
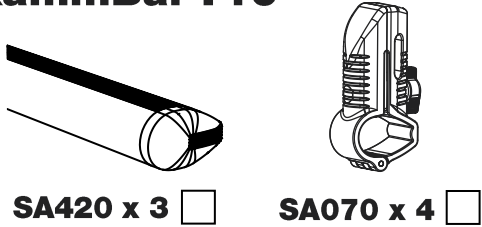


**CITY CRASH (✓)**

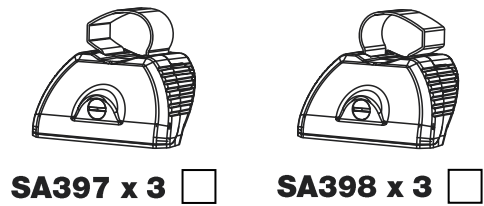
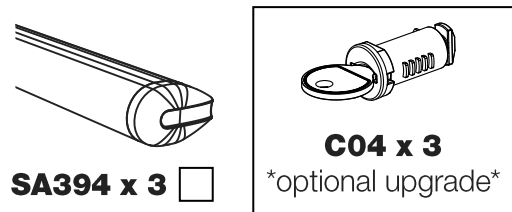
According to ISO/ PAS 11154:2006



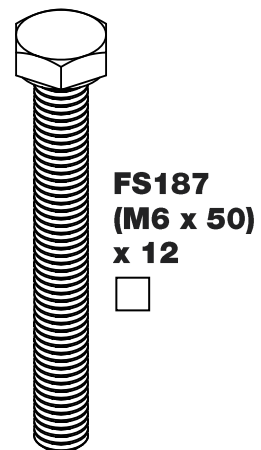
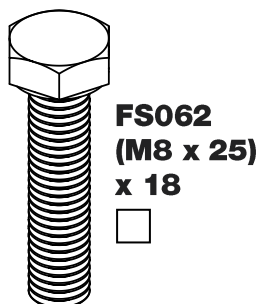
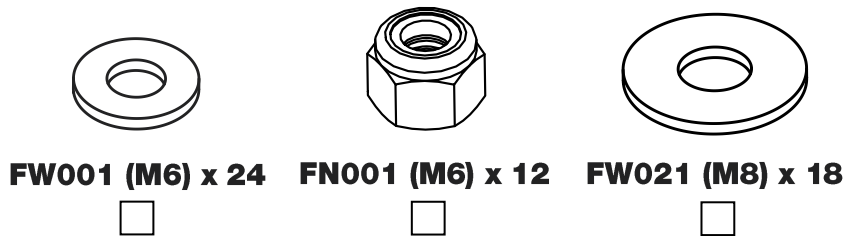
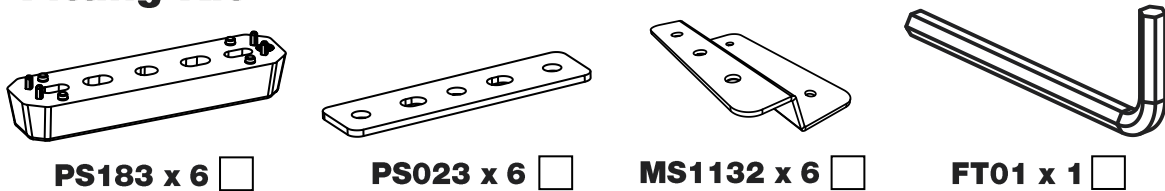
### KammBar Pro

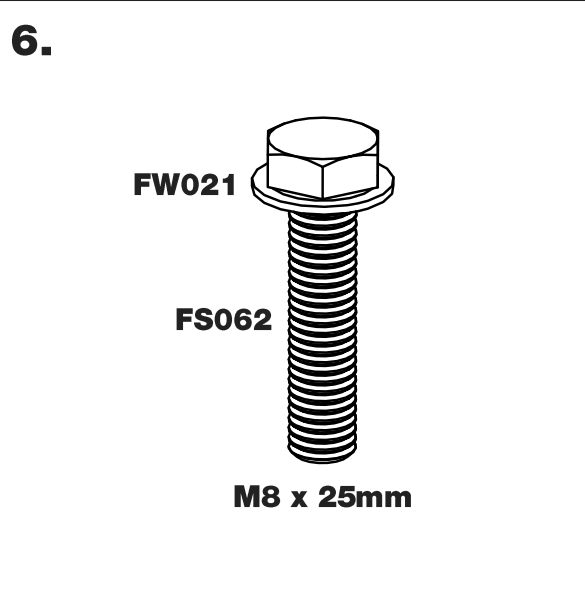
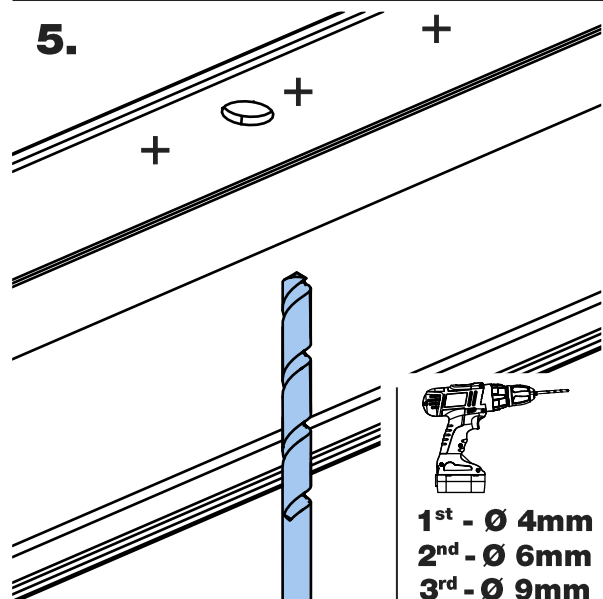
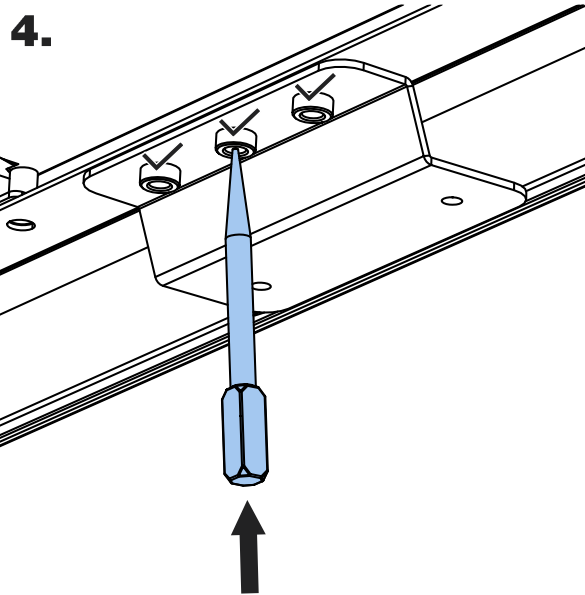
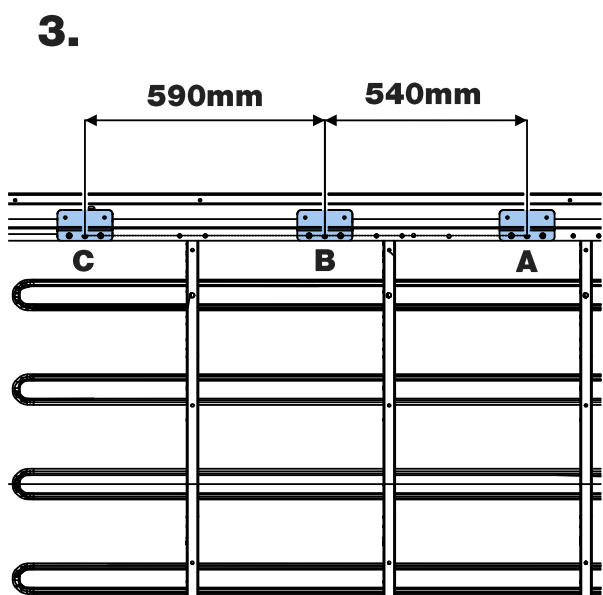
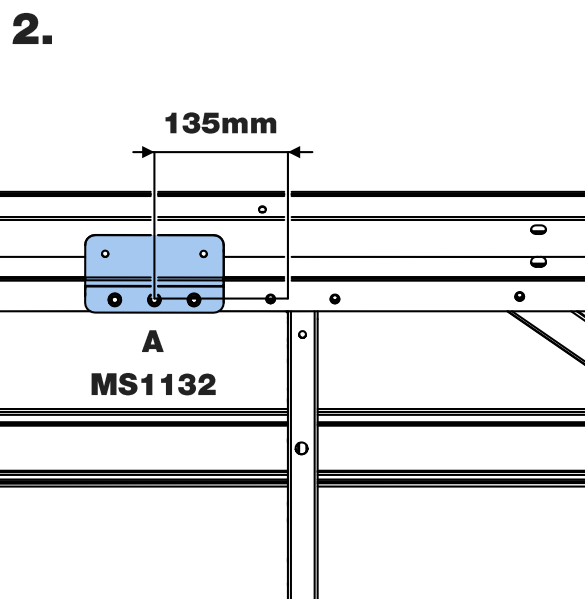
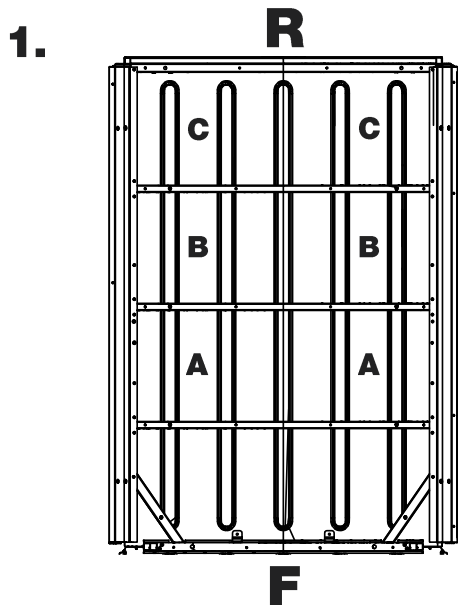


### KammBar Fleet

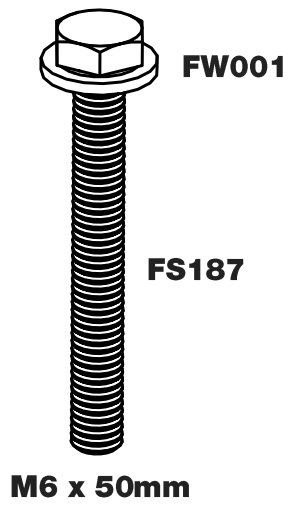


### Fitting Kit

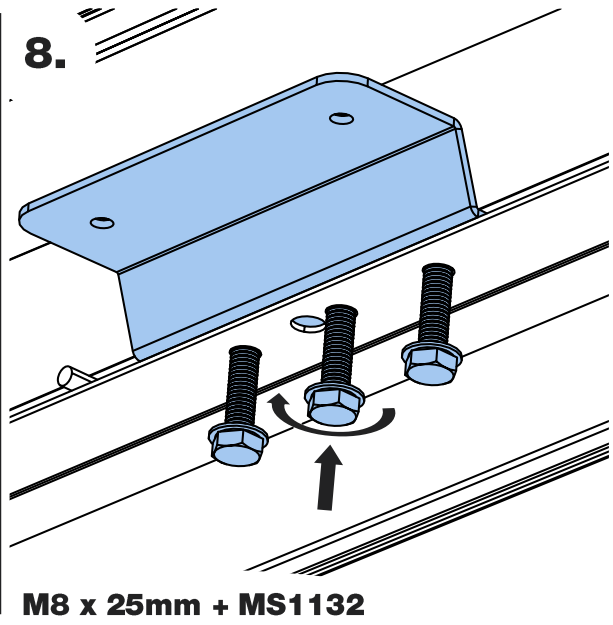




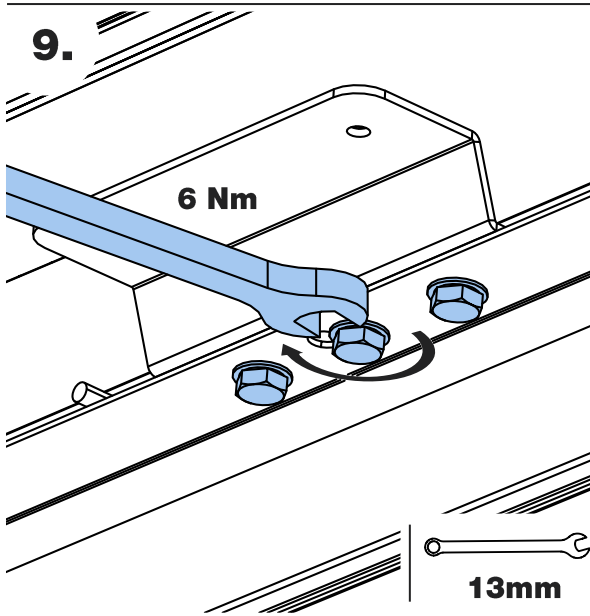
7.



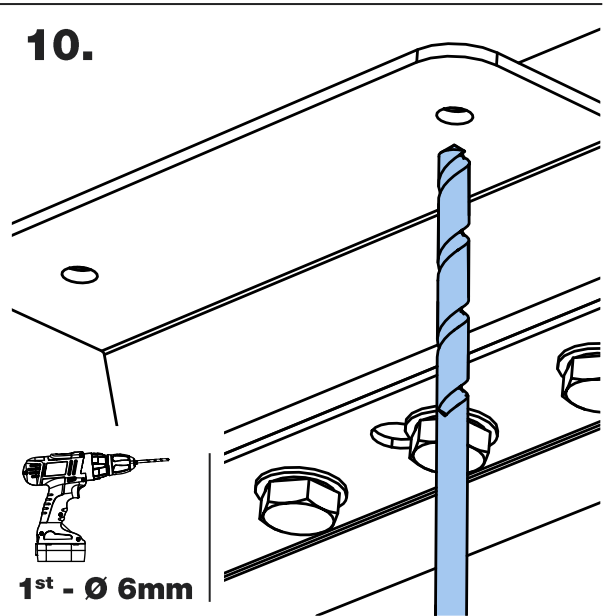
8.



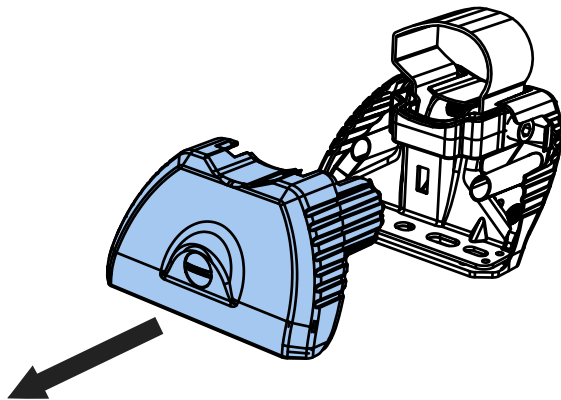
9.



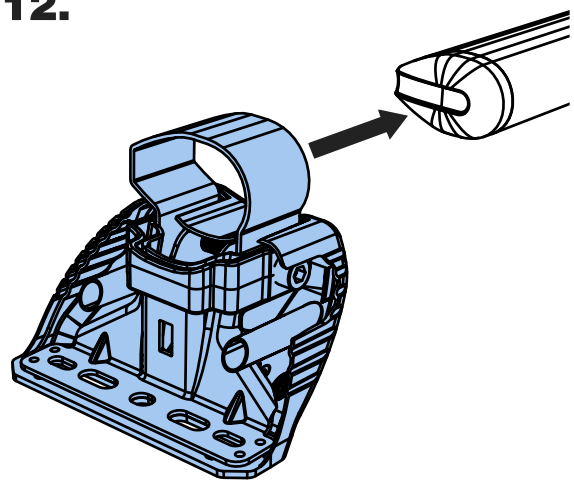
10.



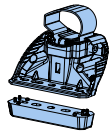
11.



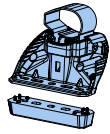
12.



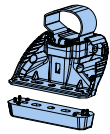
13.



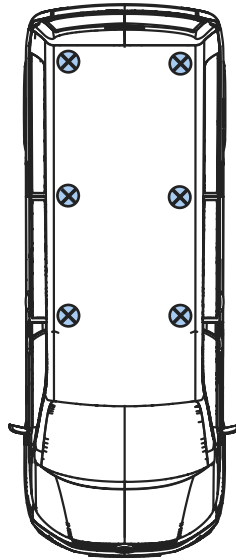
SA397  
PS183



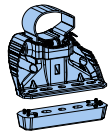
SA397  
PS183



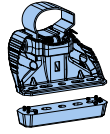
SA397  
PS183



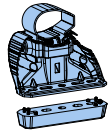
SA398  
PS183



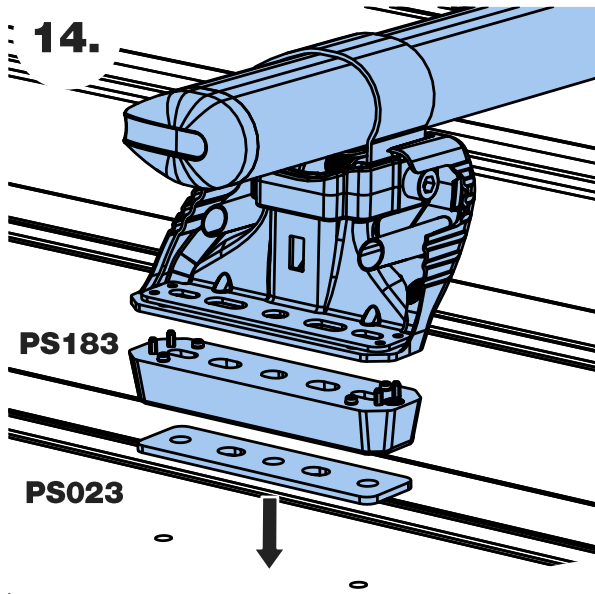
SA398  
PS183



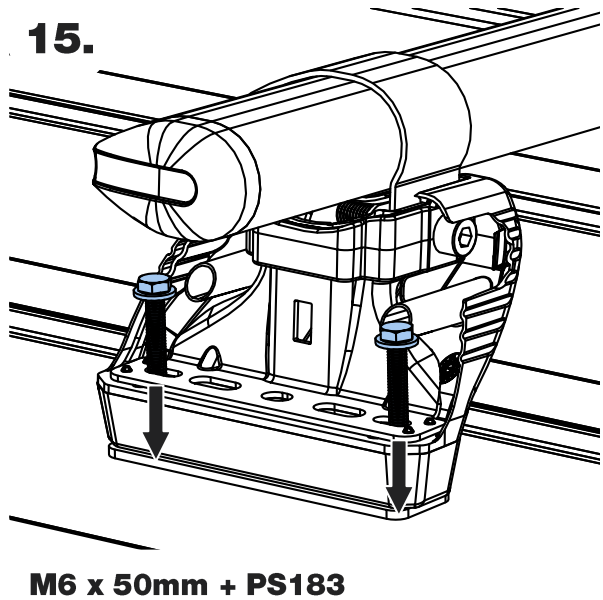
SA398  
PS183



14.

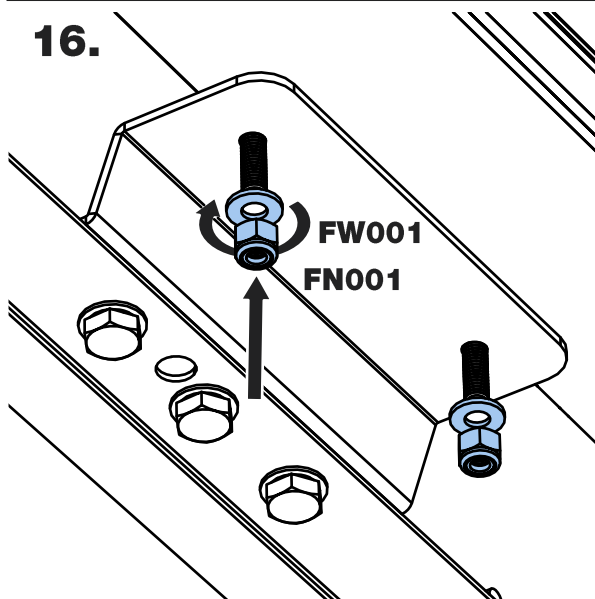


15.

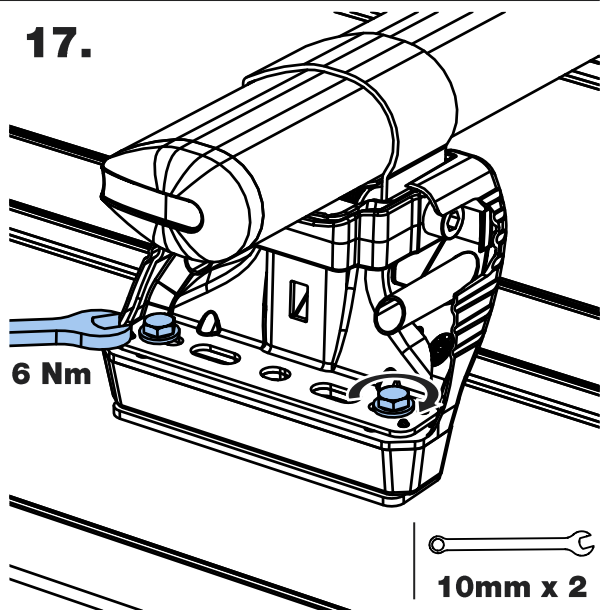


M6 x 50mm + PS183

16.

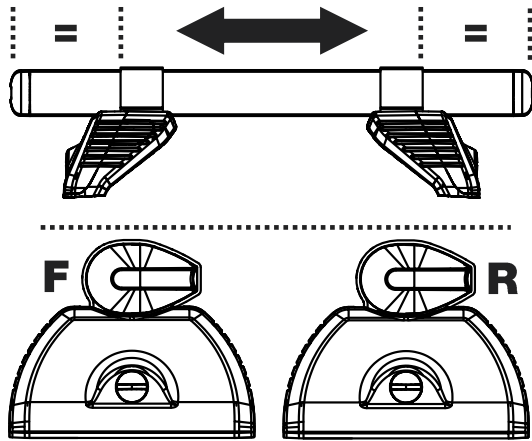


17.

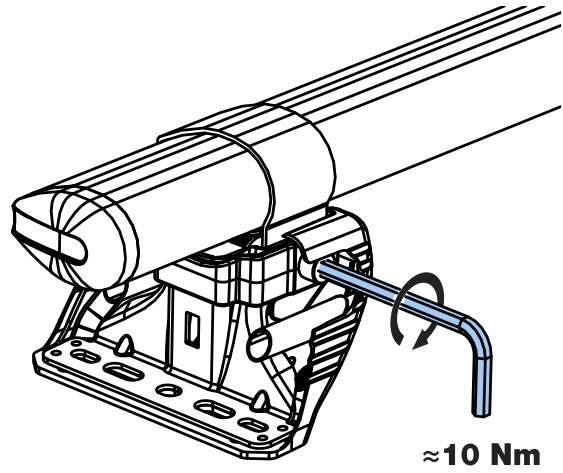


10mm x 2

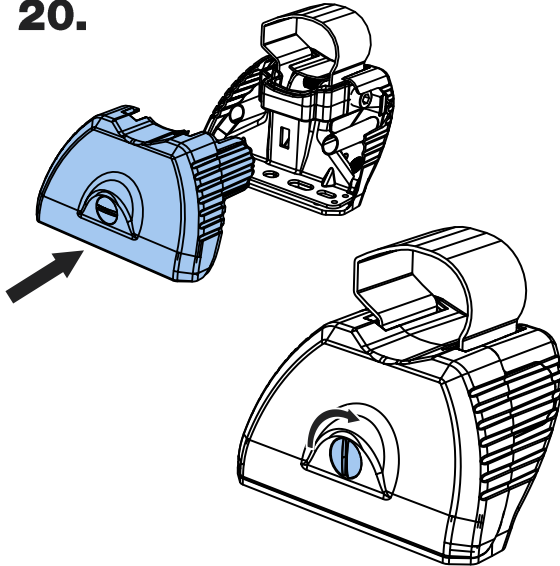
18.



19.



20.



21.

